



US00D823394S

(12) **United States Design Patent**  
**Zhang**

(10) **Patent No.:** **US D823,394 S**  
(45) **Date of Patent:** **\*\* Jul. 17, 2018**

(54) **PEN**

(71) Applicant: **Beifa Group Co., Ltd.**, Ningbo (CN)

(72) Inventor: **Youbin Zhang**, Ningbo (CN)

(73) Assignee: **Beifa Group Co., Ltd.**, Ningbo (CN)

(\*\*) Term: **15 Years**

(21) Appl. No.: **29/592,089**

(22) Filed: **Jan. 26, 2017**

(30) **Foreign Application Priority Data**

Jul. 28, 2016 (CN) ..... 2016 3 0350525

(51) **LOC (11) Cl.** ..... **19-06**

(52) **U.S. Cl.**

USPC ..... **D19/176**; D19/906; D19/904

(58) **Field of Classification Search**

USPC ..... D19/196, 187, 179, 177, 176, 175, 173,  
D19/169, 153, 117, 113, 164, 906, 904

CPC ..... B43K 24/03; B43K 23/12; B43K 23/001;  
G09B 5/04; G06F 3/03545

See application file for complete search history.

(56) **References Cited**

**U.S. PATENT DOCUMENTS**

D372,735 S	*	8/1996	Tseng	.....	D19/168
D442,226 S	*	5/2001	Briggl	.....	D19/175
D466,934 S	*	12/2002	Schung	.....	D19/176
D500,522 S	*	1/2005	Rommel	.....	D19/175
D507,300 S	*	7/2005	Qiu	.....	D19/176
D545,367 S	*	6/2007	Ternovits	.....	D19/173
D549,776 S	*	8/2007	Avenatti	.....	D19/176
D589,558 S	*	3/2009	Avenatti	.....	D19/176
D598,955 S	*	8/2009	Briggl	.....	D19/176
D622,769 S	*	8/2010	Li	.....	D19/174
D626,997 S	*	11/2010	Gerules	.....	D19/176
D679,327 S	*	4/2013	Liang	.....	D19/173
D700,238 S	*	2/2014	Slemp	.....	D19/172

**FOREIGN PATENT DOCUMENTS**

CN 300696331 \* 11/2006  
CN 300766919 \* 5/2007

\* cited by examiner

*Primary Examiner* — Cynthia Ramirez

*Assistant Examiner* — Laura H Yu

(74) *Attorney, Agent, or Firm* — Seed IP Law Group LLP

(57) **CLAIM**

The ornamental design for a pen, as shown and described.

**DESCRIPTION**

FIG. 1 is a front right perspective view of a pen showing my new design.

FIG. 2 is a front elevational view thereof.

FIG. 3 is a right side elevational view thereof, with the left side elevational view being a mirror image of the right side elevational view.

FIG. 4 is a rear elevational view thereof.

FIG. 5 is a top plan view thereof.

FIG. 6 is a bottom plan view thereof.

FIG. 7 is an enlarged top plan view thereof.

FIG. 8 is an enlarged bottom plan view thereof.

FIG. 9 is a front right perspective view of a second embodiment of a pen showing my new design.

FIG. 10 is a front elevational view thereof.

FIG. 11 is a right side elevational view thereof, with the left side elevational view being a mirror image of the right side elevational view.

FIG. 12 is a rear elevational view thereof.

FIG. 13 is a top plan view thereof.

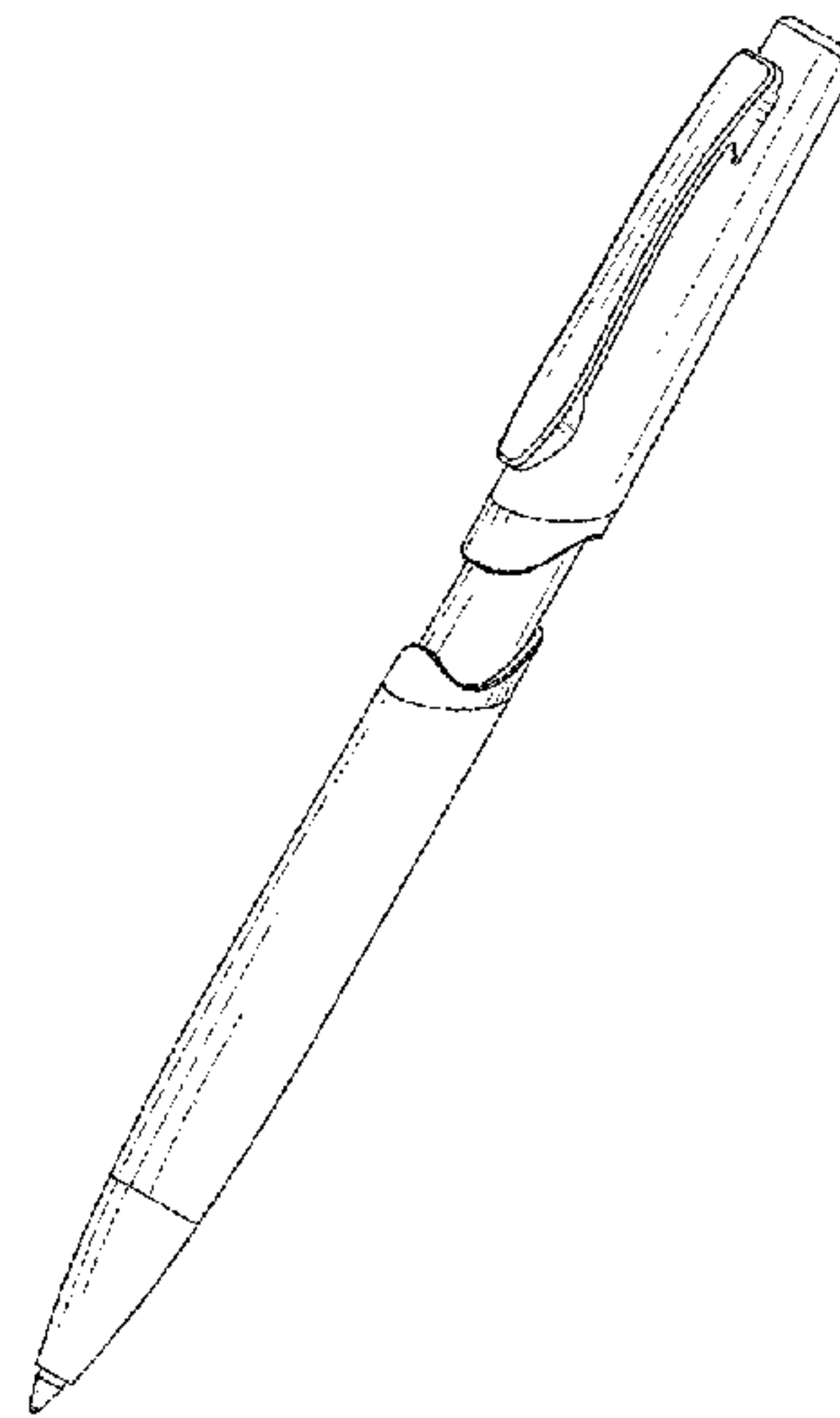
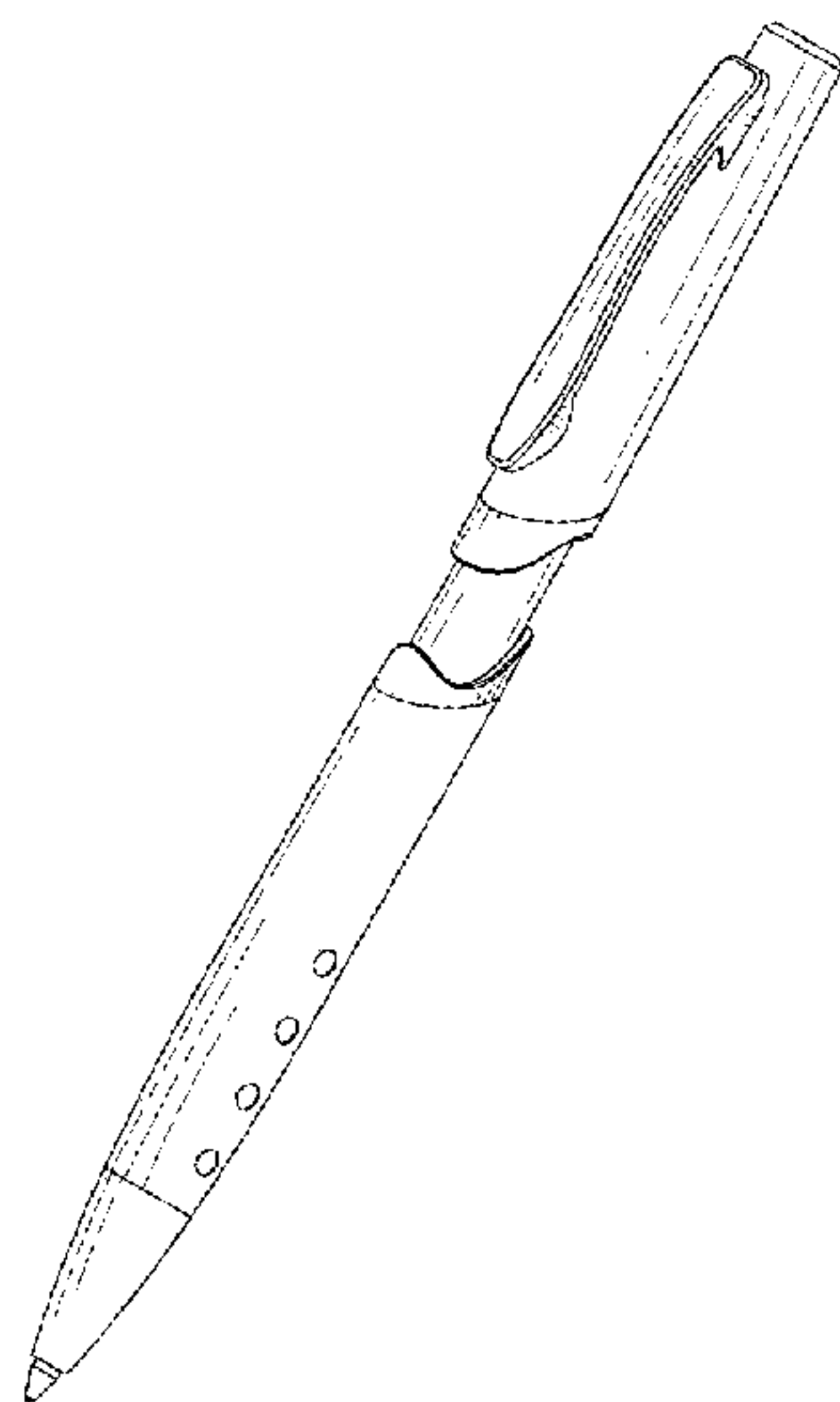
FIG. 14 is a bottom plan view thereof.

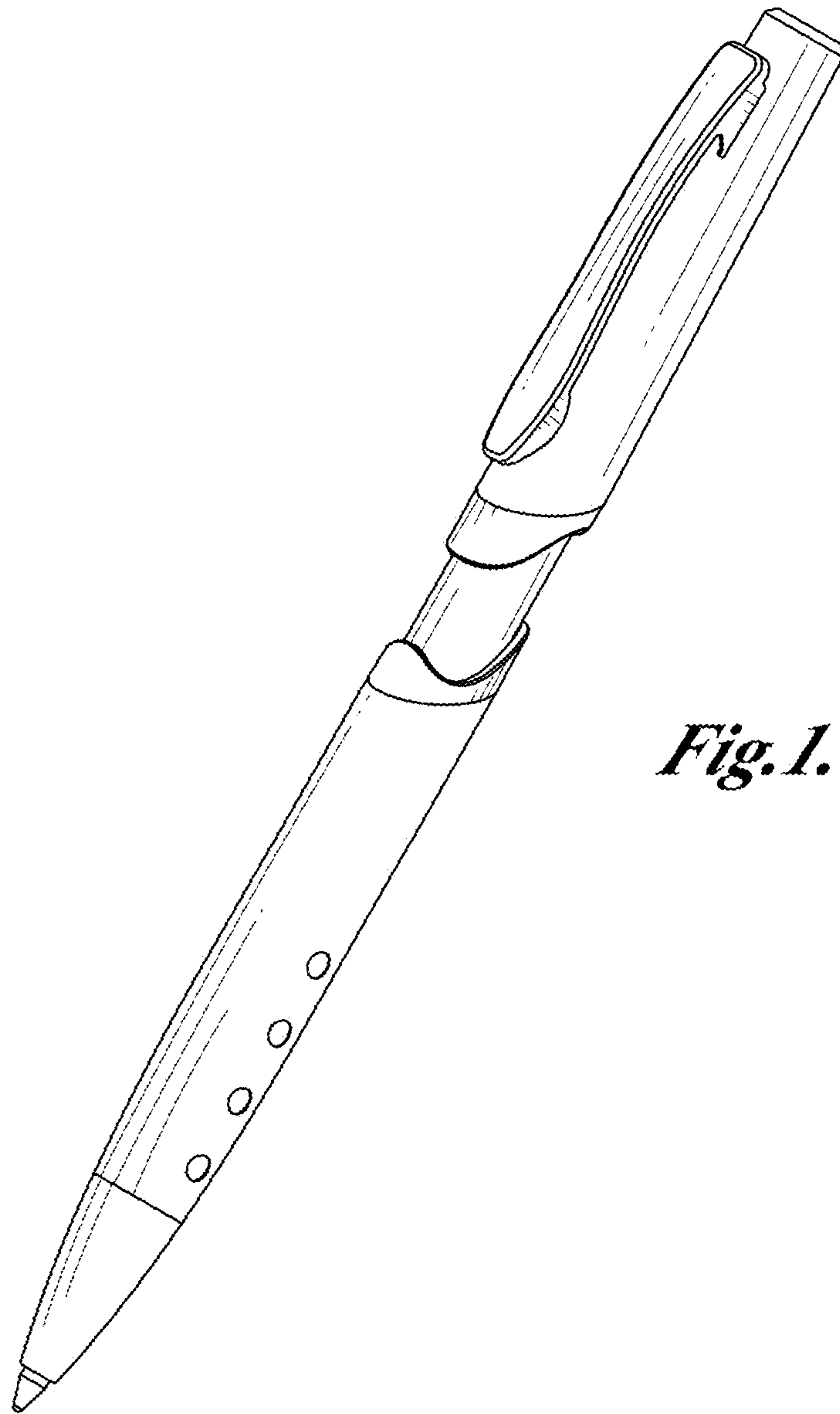
FIG. 15 is an enlarged top plan view thereof; and,

FIG. 16 is an enlarged bottom plan view thereof.

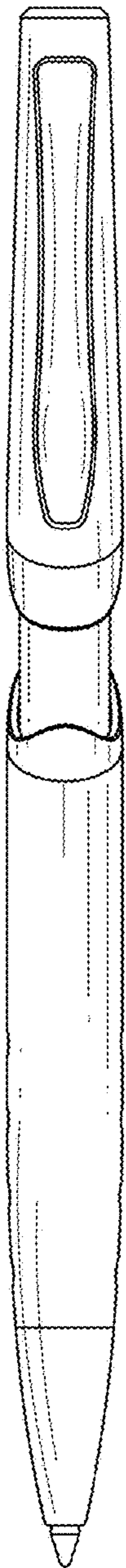
The broken lines in FIGS. 5 and 7 illustrate environment only and form no part of the claimed design.

**1 Claim, 6 Drawing Sheets**

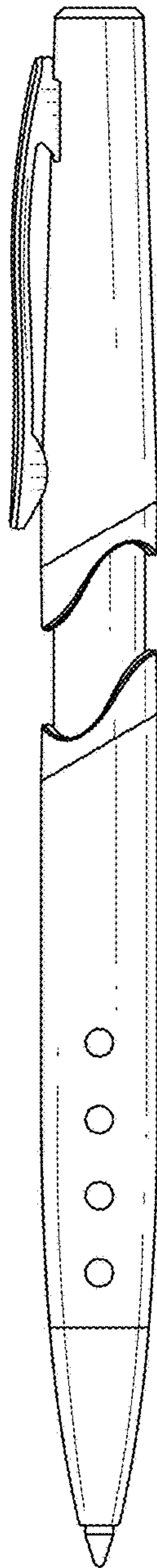




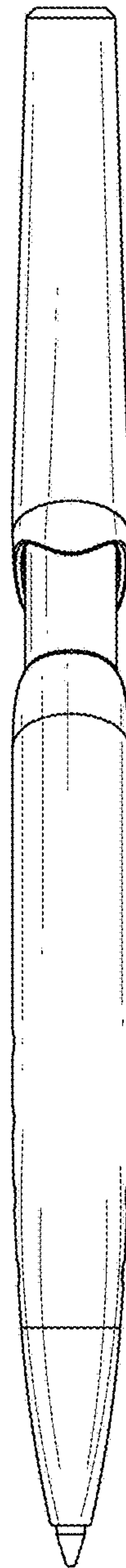
*Fig. 1.*



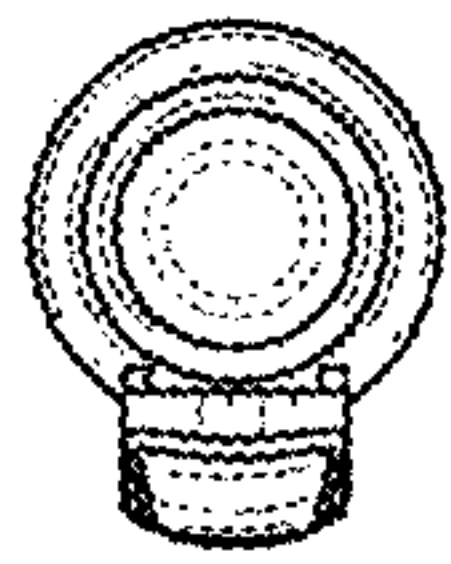
*Fig. 2.*



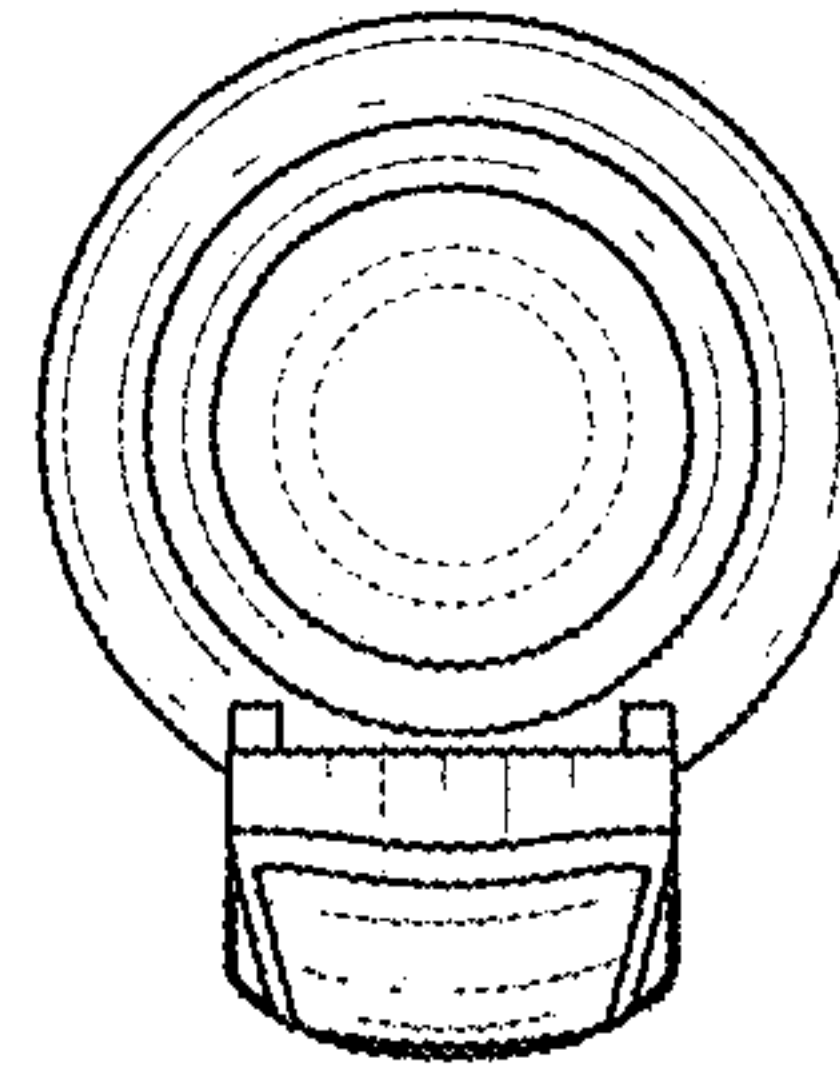
*Fig. 3.*



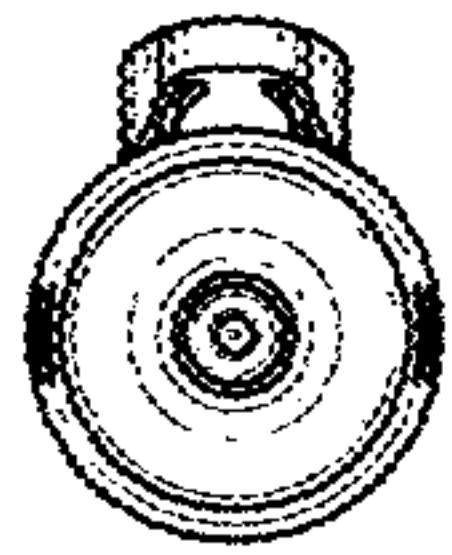
*Fig. 4.*



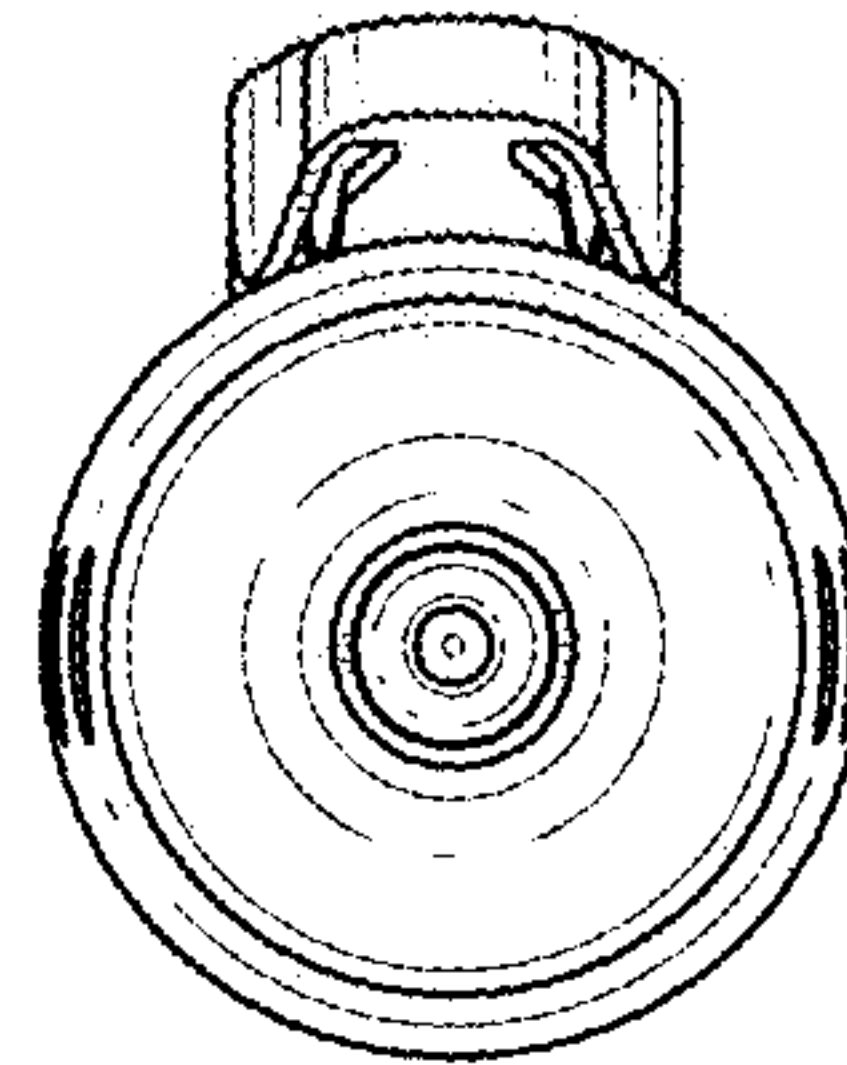
*Fig. 5.*



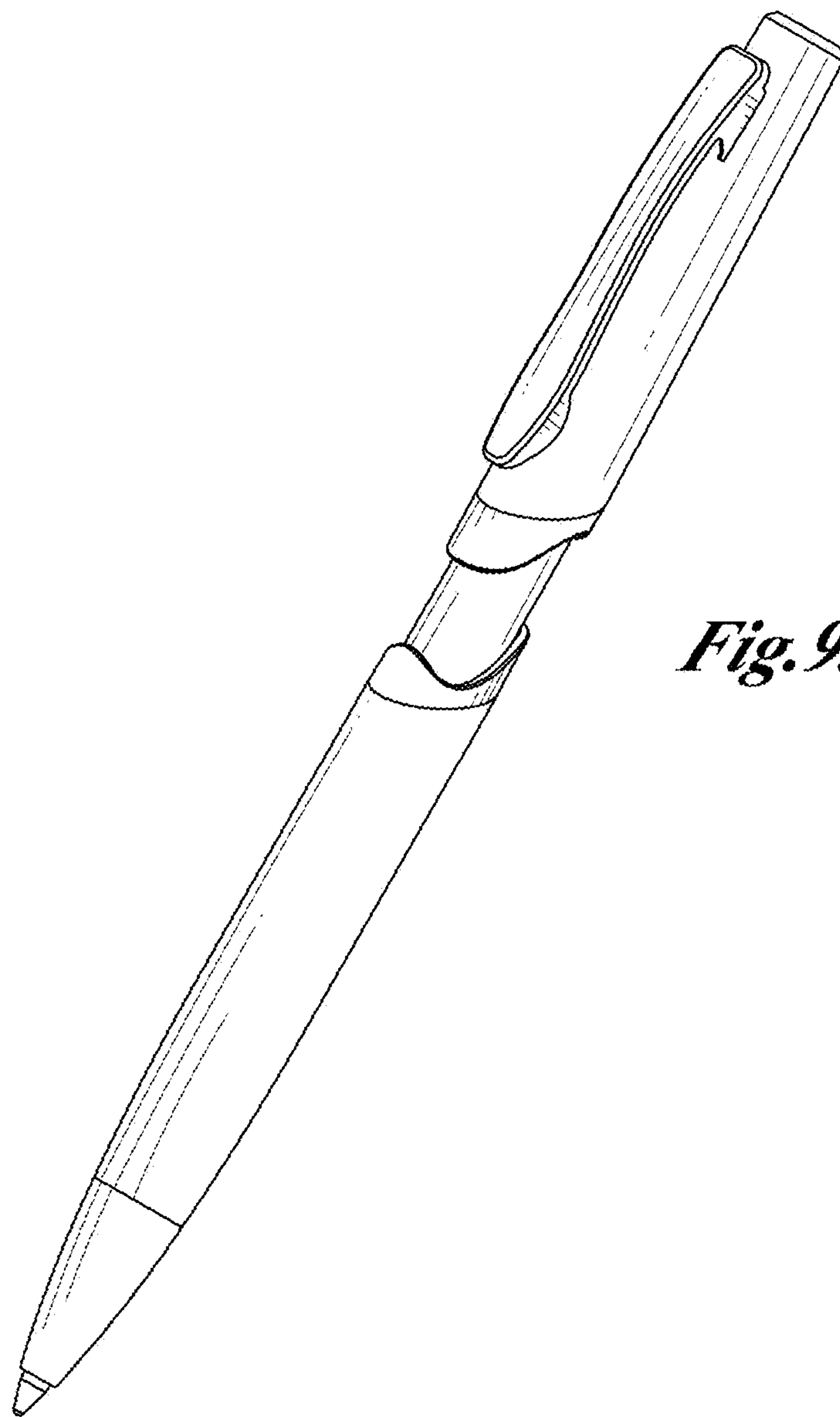
*Fig. 7.*



*Fig. 6.*

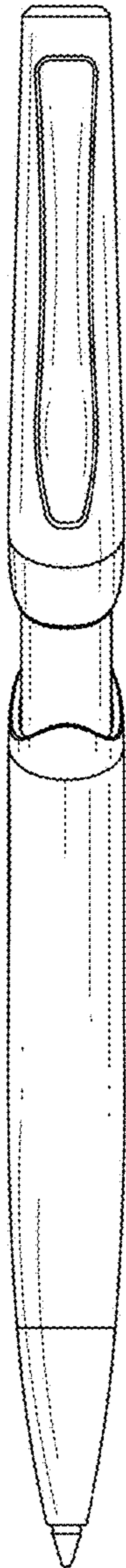


*Fig. 8.*

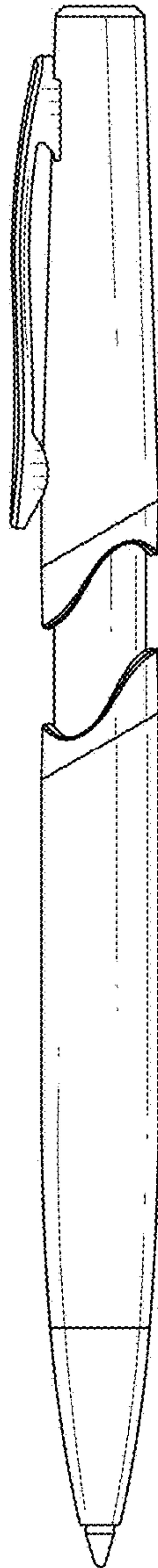


*Fig. 9.*

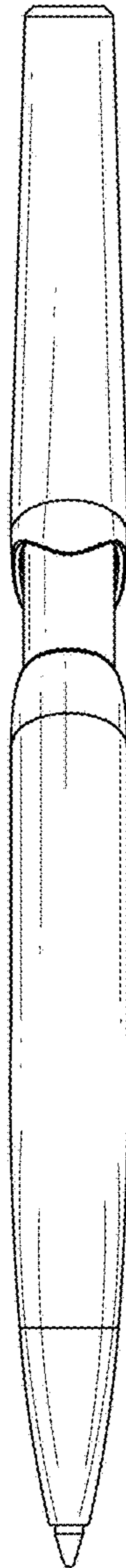




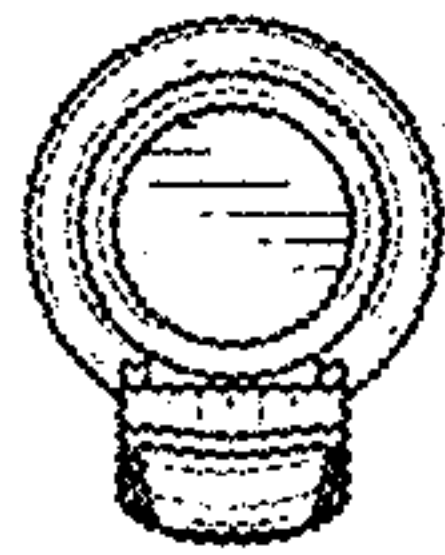
*Fig. 10.*



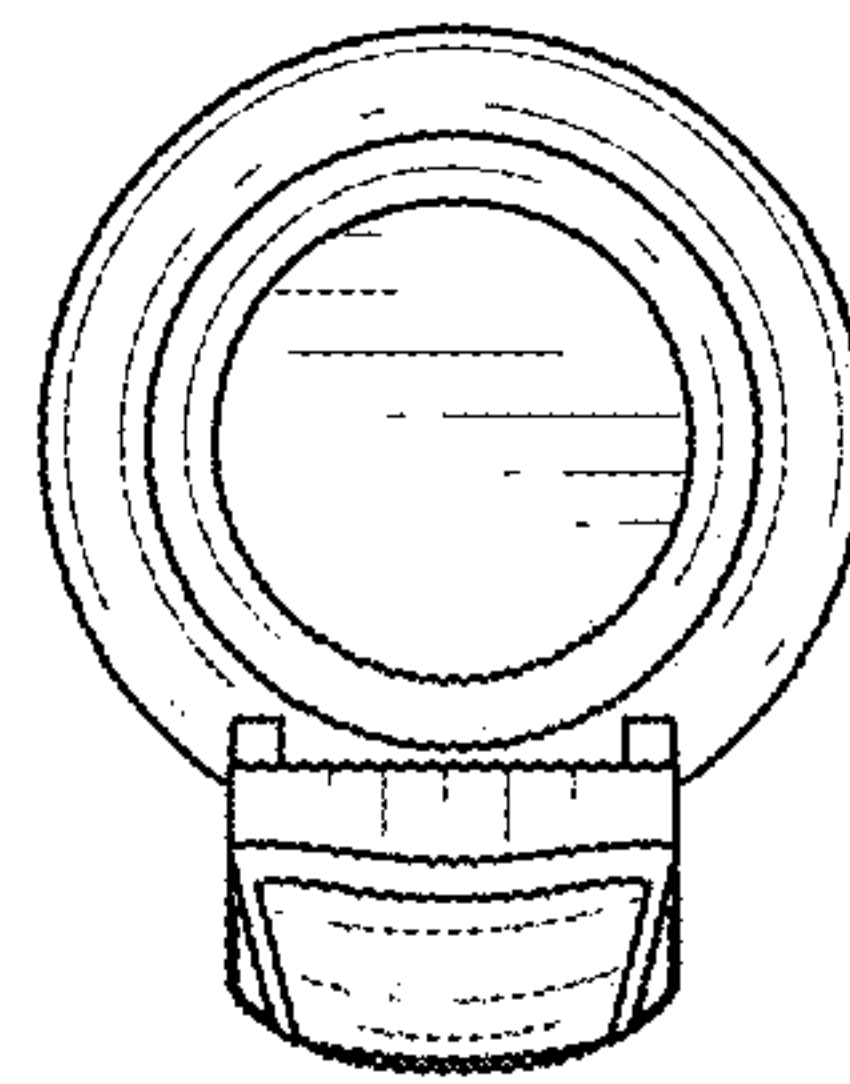
*Fig. 11.*



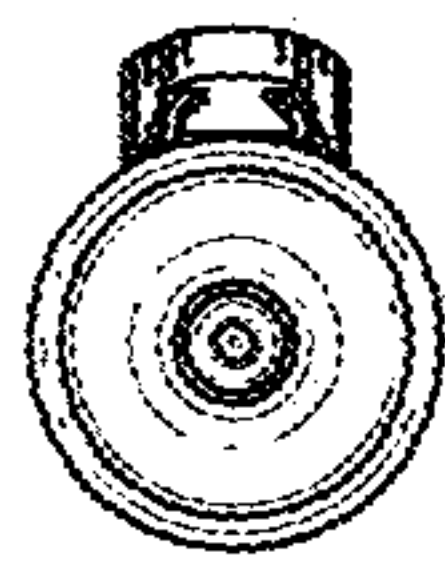
*Fig. 12.*



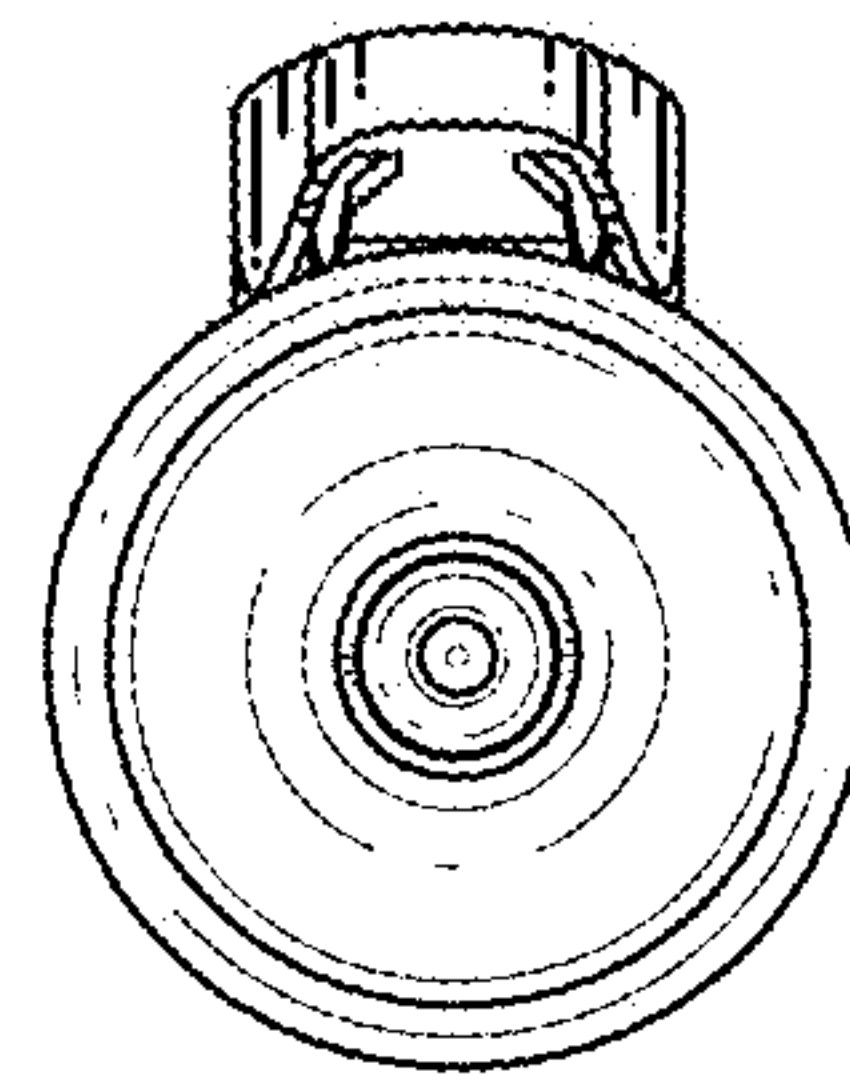
*Fig. 13.*



*Fig. 15.*



*Fig. 14.*



*Fig. 16.*