



US00D823392S

(12) **United States Design Patent**
Rabinovitz

(10) **Patent No.:** **US D823,392 S**
(45) **Date of Patent:** **** Jul. 17, 2018**

- (54) **PAPER ORGANIZER**
- (71) Applicant: **Isaac Rabinovitz**, Melrose, MA (US)
- (72) Inventor: **Isaac Rabinovitz**, Melrose, MA (US)
- (**) Term: **15 Years**
- (21) Appl. No.: **29/612,516**
- (22) Filed: **Aug. 1, 2017**
- (51) **LOC (11) Cl.** **19-02**
- (52) **U.S. Cl.**
USPC **D19/92**
- (58) **Field of Classification Search**
USPC D19/75, 76, 77, 78, 84, 85, 86, 89, 90,
D19/91, 92; D3/206, 227, 299, 315;
D6/634, 675.1; D9/734
CPC .. B43M 99/00; B43M 99/001; B43M 99/003;
B43M 99/006; B43M 99/008; B42D
5/005; B42D 5/008
See application file for complete search history.

D256,643	S	*	9/1980	Johnson	211/40
D259,687	S	*	6/1981	Scalice	D6/675.1
D274,489	S	*	7/1984	DeVries	D6/675.1
4,463,684	A	*	8/1984	Klungle	A47B 43/00
						108/91
4,552,271	A	*	11/1985	Kranz	A47J 47/14
						108/27
D307,521	S	*	5/1990	Rogers	D15/89
D325,680	S	*	4/1992	Kiiski	D18/59
D401,085	S	*	11/1998	Grant	D6/675.1
D421,628	S	*	3/2000	Harris	D19/75
D440,078	S	*	4/2001	Carrabba	D6/675.1
D618,932	S	*	7/2010	Linder	D6/675.1
D631,510	S	*	1/2011	Stravitz	D19/78

* cited by examiner

Primary Examiner — Elizabeth Albert

(57) **CLAIM**

The ornamental design for a paper organizer, as shown and described.

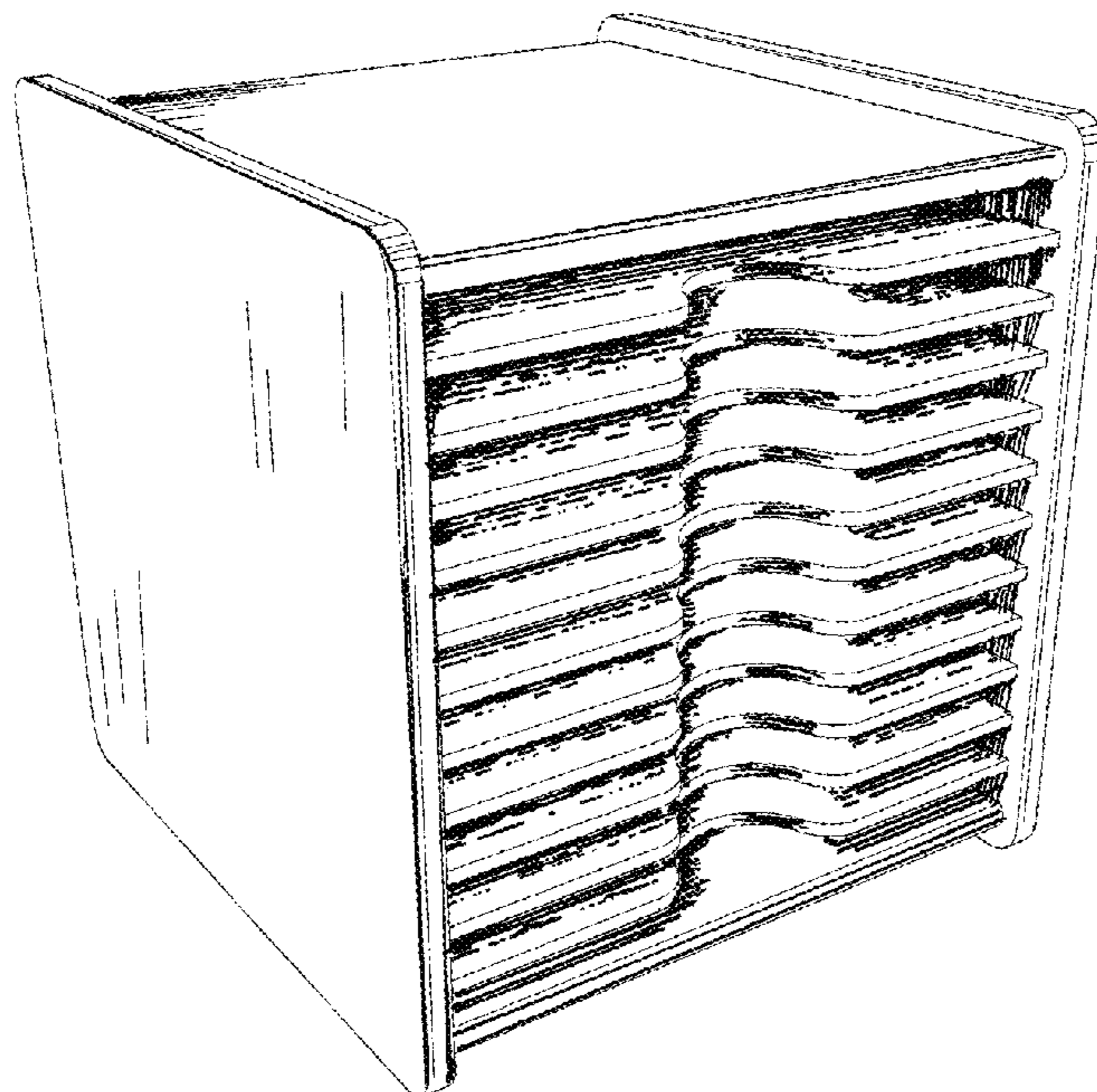
DESCRIPTION

FIG. 1 is a front perspective view of the paper organizer
 FIG. 2 is a rear perspective view thereof.
 FIG. 3 is a front elevational view thereof.
 FIG. 4 is a rear elevational view thereof
 FIG. 5 is a left elevational view thereof. The right view is a mirror image of the left view.
 FIG. 6 is a top plan view thereof. The bottom plan view is a mirror image of the top view
 FIG. 7 is a front perspective view of a second embodiment of the paper organizer; and,
 FIG. 8 is a rear perspective view of a second embodiment of the paper organizer.

1 Claim, 4 Drawing Sheets

(56) **References Cited**
U.S. PATENT DOCUMENTS

129,688	A	*	7/1872	Smith	A47B 87/02
						312/107
460,748	A	*	10/1891	Hartmann	A47B 7/02
						108/91
1,634,699	A	*	7/1927	Upjohn	A47B 63/02
						206/456
D147,979	S	*	11/1947	Jones	211/135
2,664,205	A	*	12/1953	Shellman	B42F 7/10
						211/128.1
D220,702	S	*	5/1971	Sweet, Jr.	D19/92
D232,681	S	*	9/1974	Bliss	D6/675.1
D254,887	S	*	5/1980	Jorda-Segui	D6/675.1



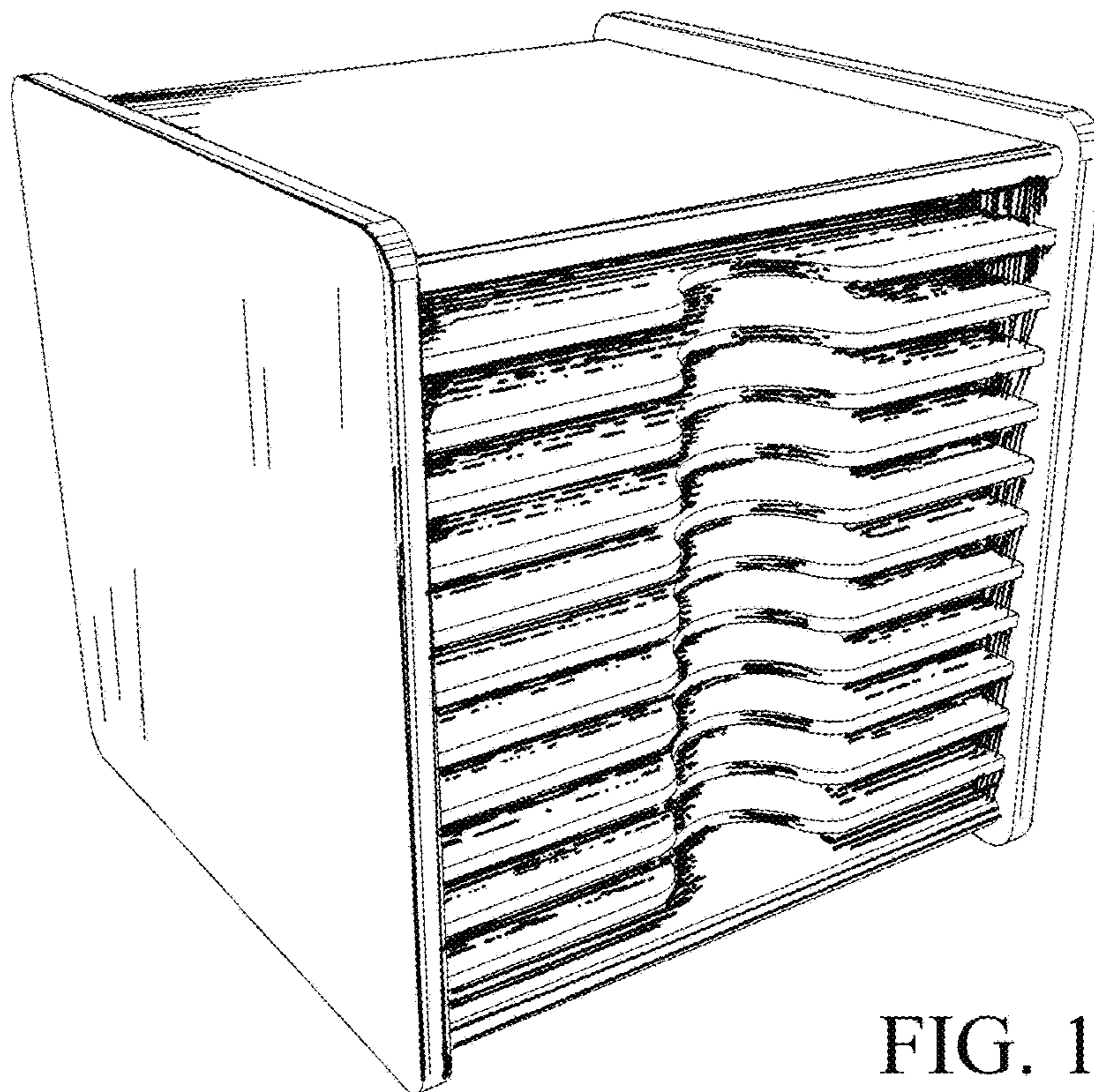


FIG. 1

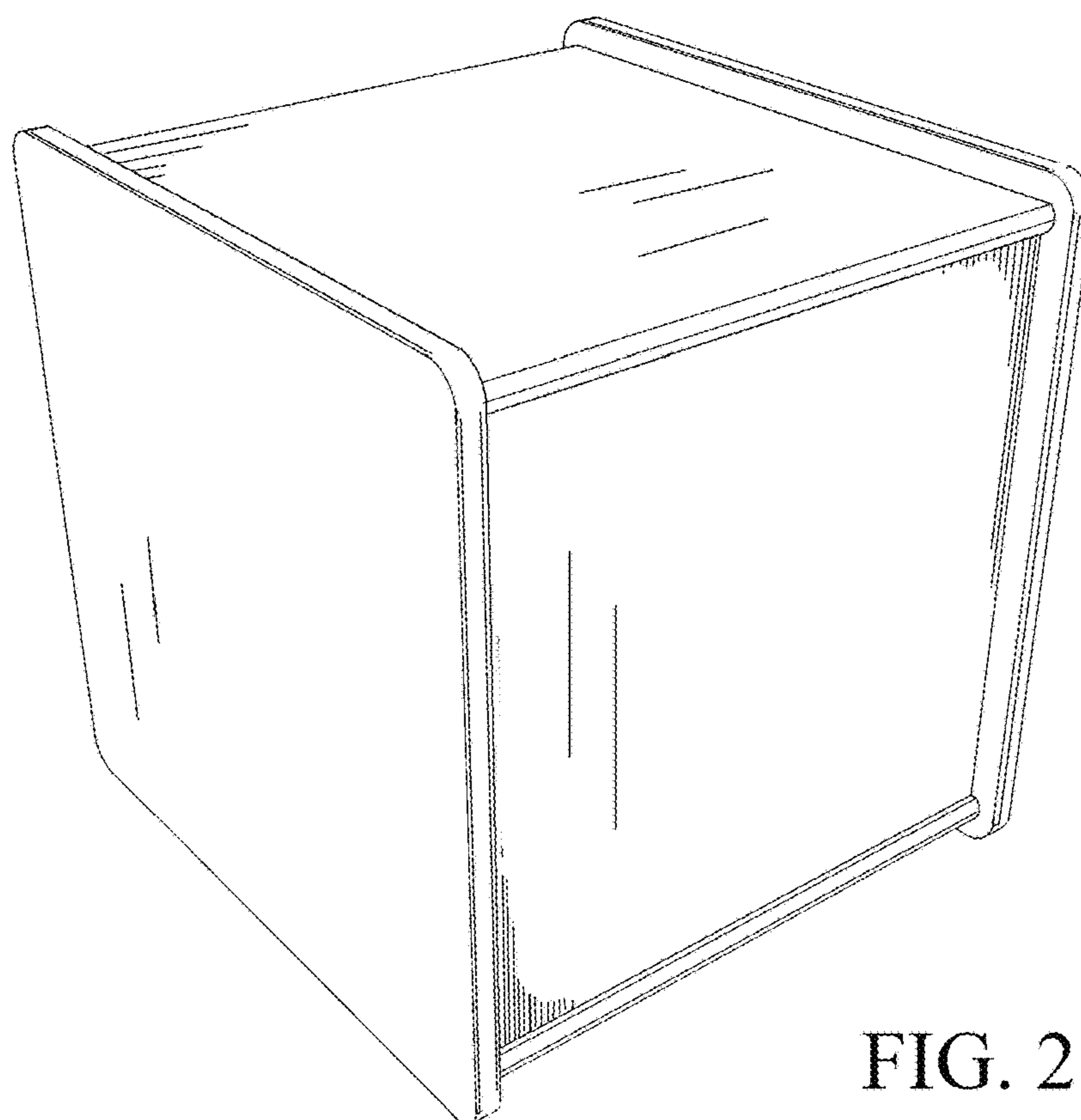


FIG. 2

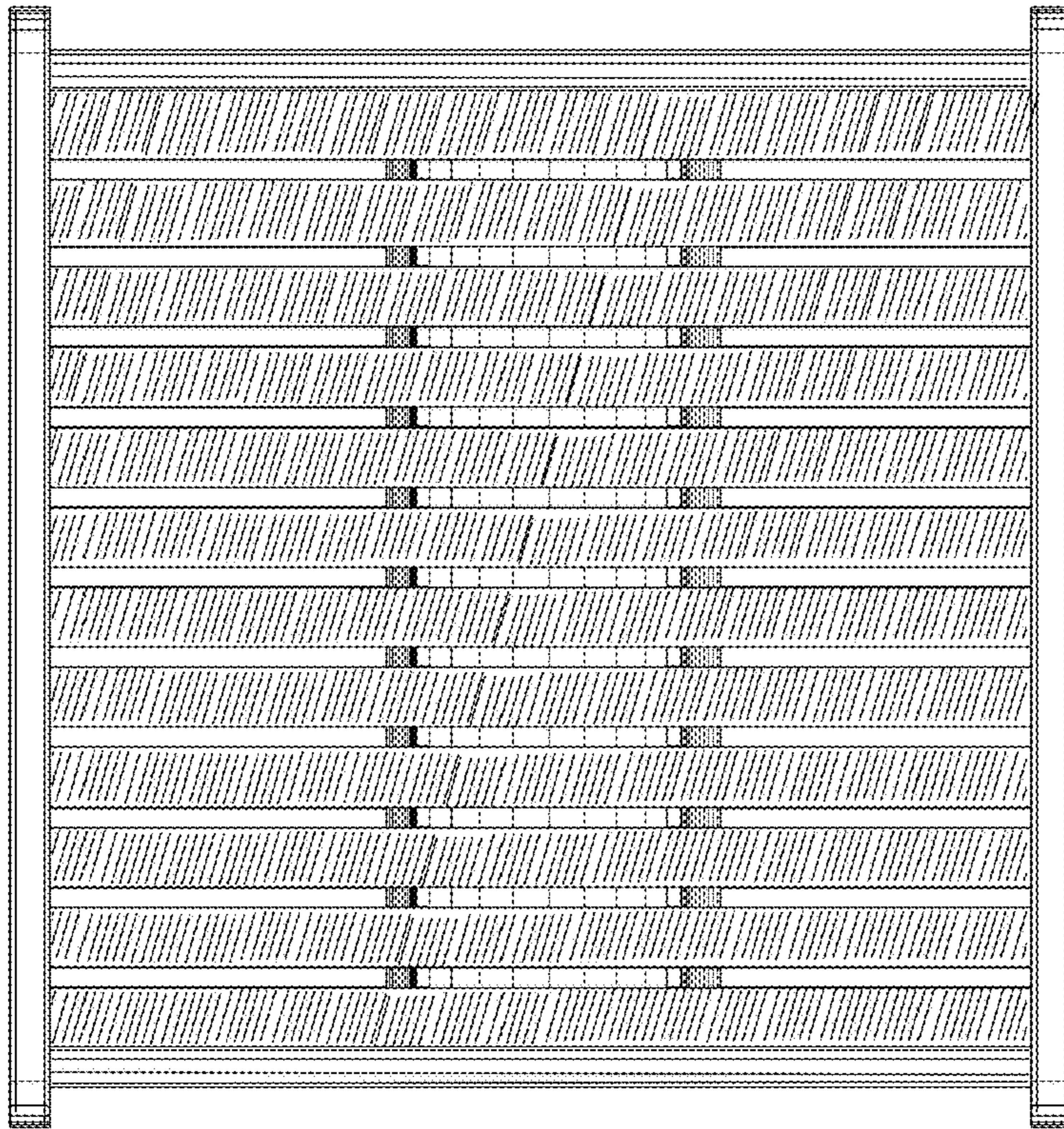


FIG. 3

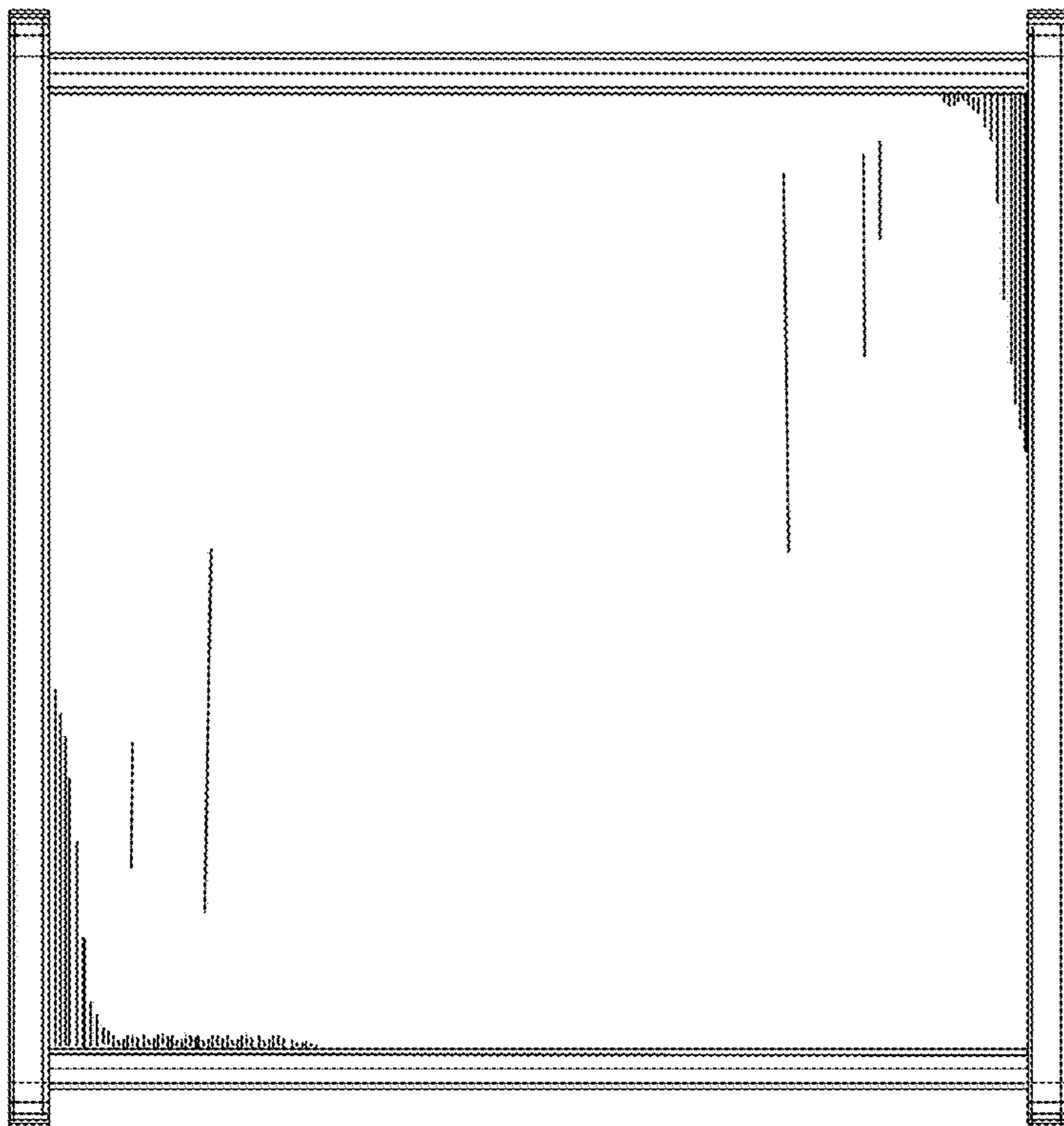


FIG. 4

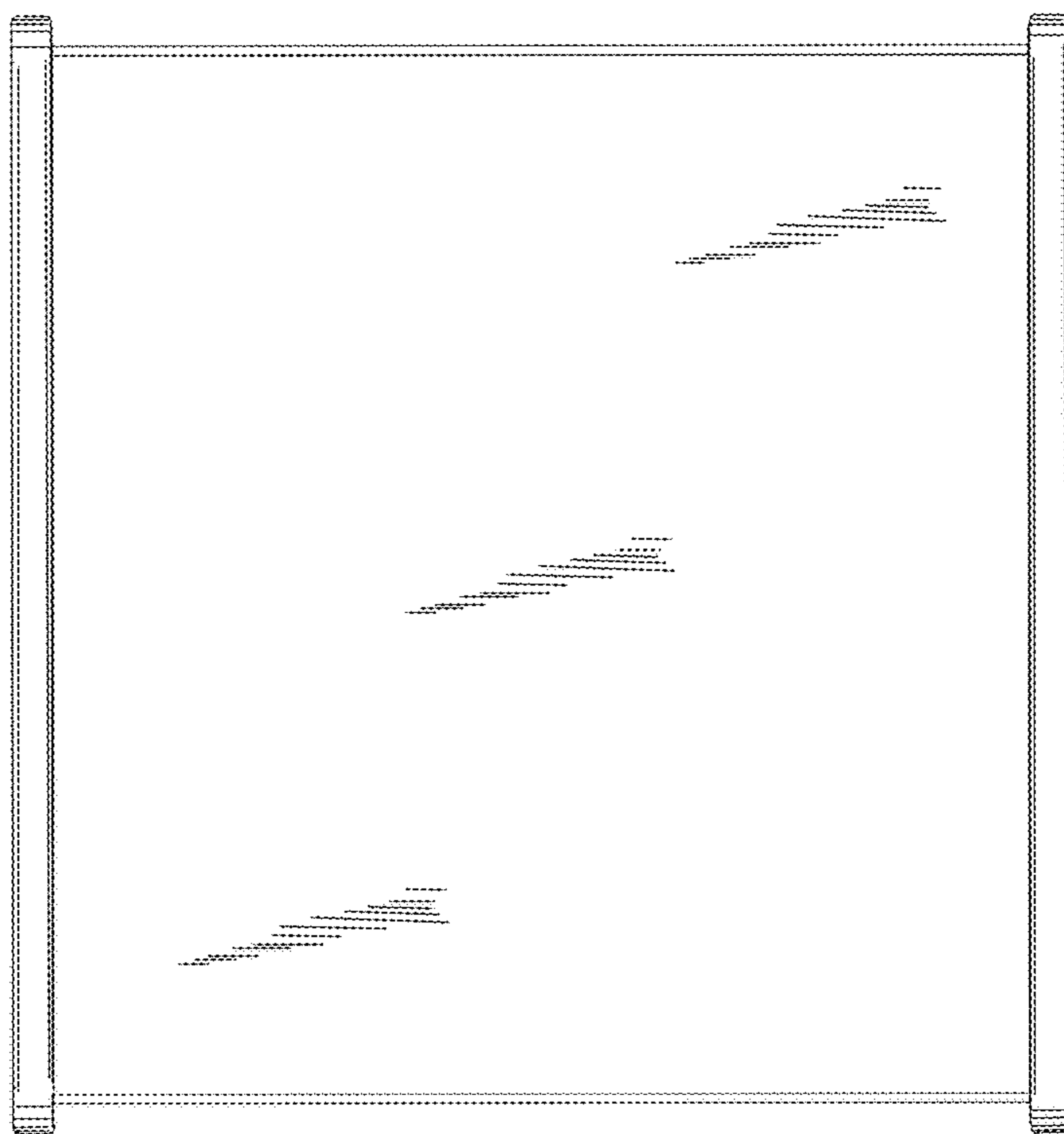


FIG. 5

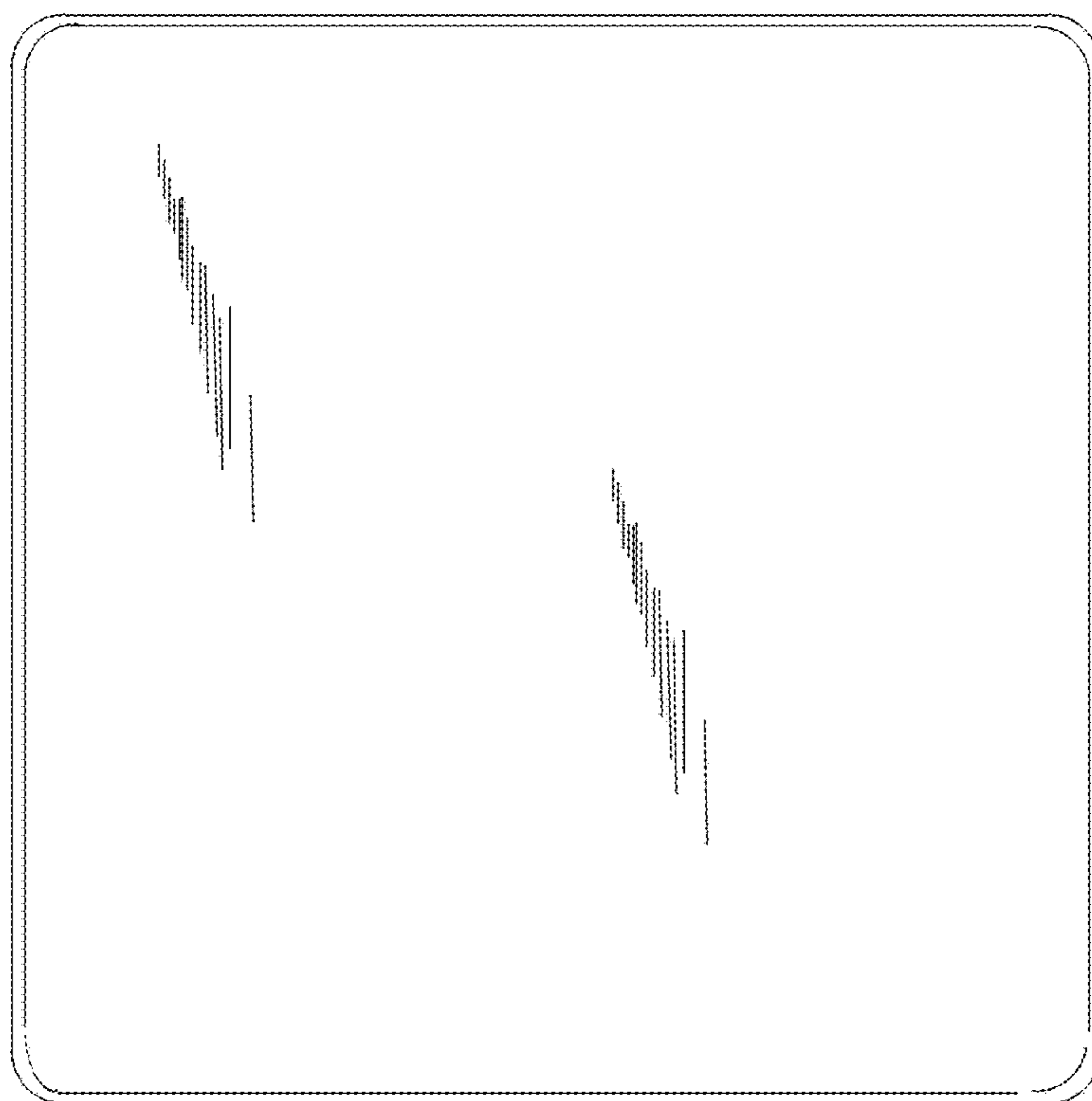


FIG. 6

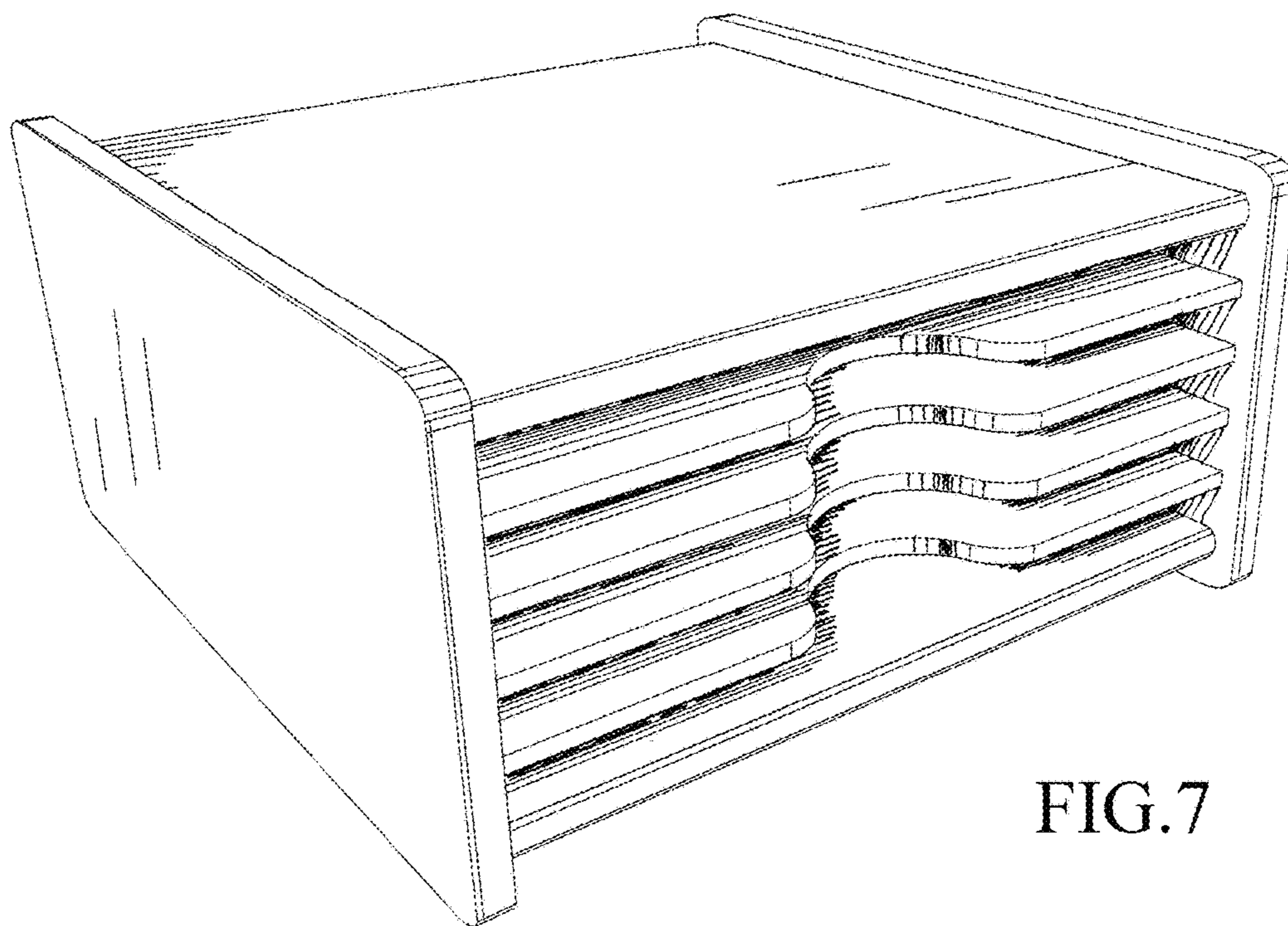


FIG. 7

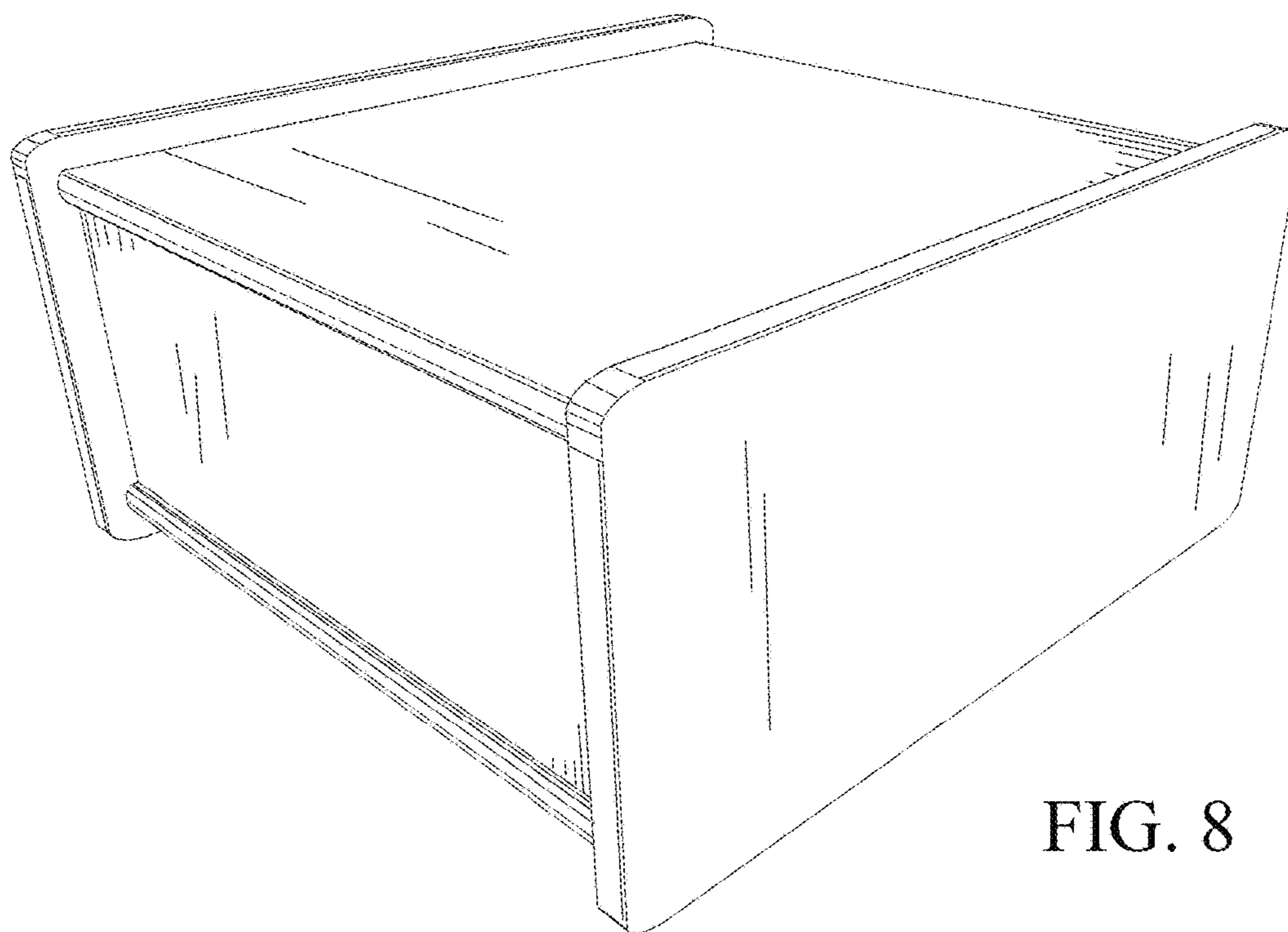


FIG. 8