



US00D823391S

(12) **United States Design Patent** (10) **Patent No.:** **US D823,391 S**
Nichols (45) **Date of Patent:** **** Jul. 17, 2018**

(54) **CARD ORGANIZING CONTAINER**
(71) Applicant: **Lorna Nichols**, Chesterfield, MO (US)
(72) Inventor: **Lorna Nichols**, Chesterfield, MO (US)
(**) Term: **15 Years**

D655,346 S * 3/2012 Tsai D19/90
D681,953 S * 5/2013 Scott D3/310
D797,846 S * 9/2017 Coram D19/26
2001/0051326 A1 12/2001 Sahlein
2005/0164150 A1 7/2005 Woods
2009/0166400 A1 7/2009 Lee
2012/0241507 A1* 9/2012 Rowe A45C 11/18
229/67.3

(21) Appl. No.: **29/582,393**
(22) Filed: **Oct. 27, 2016**
(51) **LOC (11) Cl.** **19-02**
(52) **U.S. Cl.**
USPC **D19/86**
(58) **Field of Classification Search**
USPC D3/304, 305, 310, 313; D6/683, 683.1;
D7/601; D19/75, 86
CPC .. B42F 9/00; B42F 11/04; B42F 11/02; B42F
17/00; B42F 17/18; B42F 21/00; B42F
21/06; B42F 21/08
See application file for complete search history.

FOREIGN PATENT DOCUMENTS

EP 0719657 12/1995

* cited by examiner

Primary Examiner — Daniel D Bui
Assistant Examiner — Andrew Kerr

(57) **CLAIM**

The ornamental design for a card organizing container, as shown and described.

DESCRIPTION

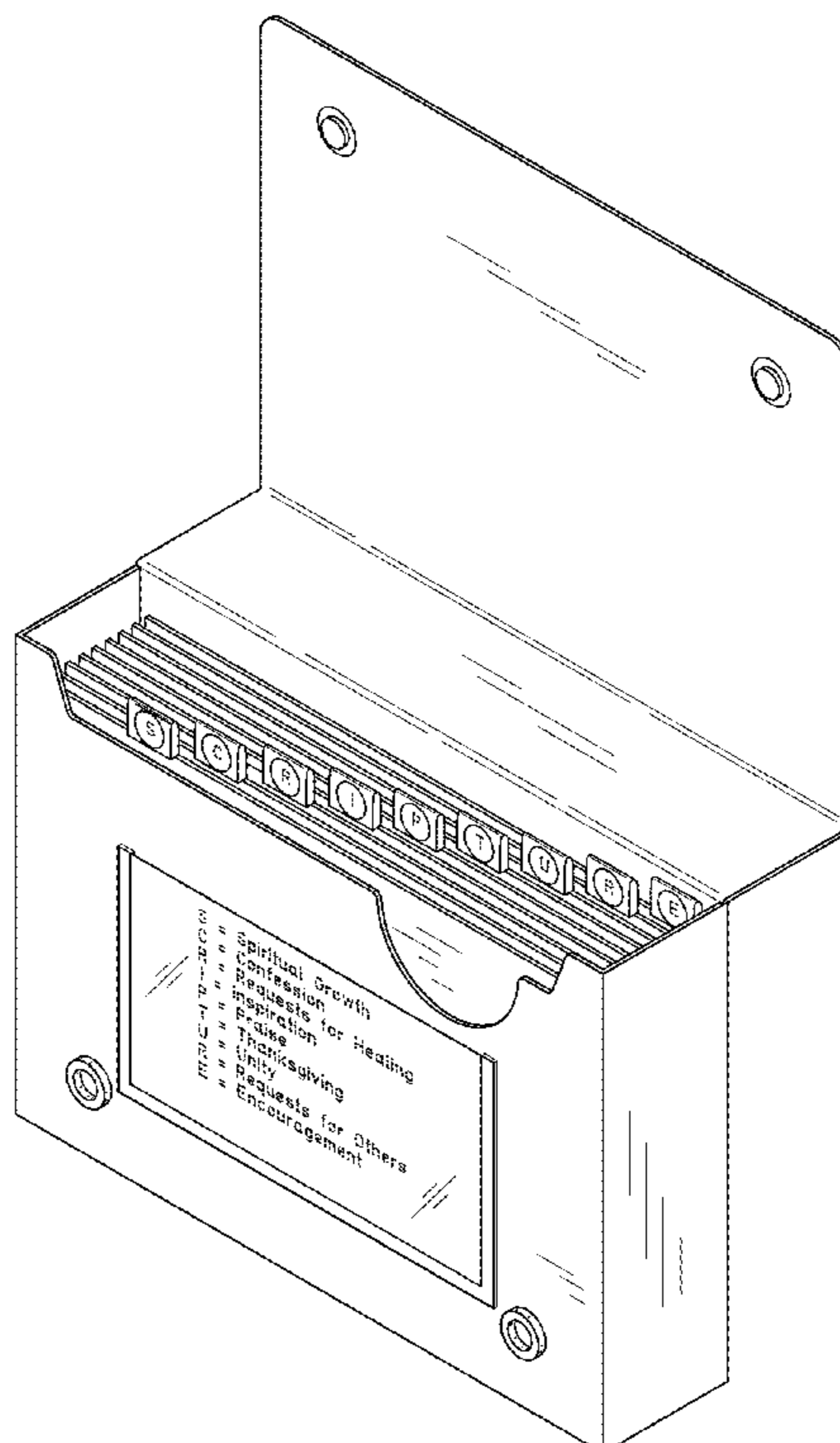
FIG. 1 is a front view of a card organizing container showing my new design;
FIG. 2 is a rear view of the card organizing container;
FIG. 3 is a left side view of the card organizing container, a right side view being a mirror image thereof;
FIG. 4 is a top view of the card organizing container;
FIG. 5 is a bottom view of the card organizing container; and,
FIG. 6 is a top front side perspective view of the card organizing container.

(56) **References Cited**

U.S. PATENT DOCUMENTS

1,728,574 A 9/1929 Reesse
3,643,858 A * 2/1972 Deckys B42F 7/06
229/72
4,262,838 A 4/1981 Mackenzie
D333,614 S 3/1993 Miguel
5,664,724 A * 9/1997 Ho B42F 7/08
206/425
D405,832 S * 2/1999 Bolden D19/75
D527,051 S 8/2006 Moy

1 Claim, 5 Drawing Sheets



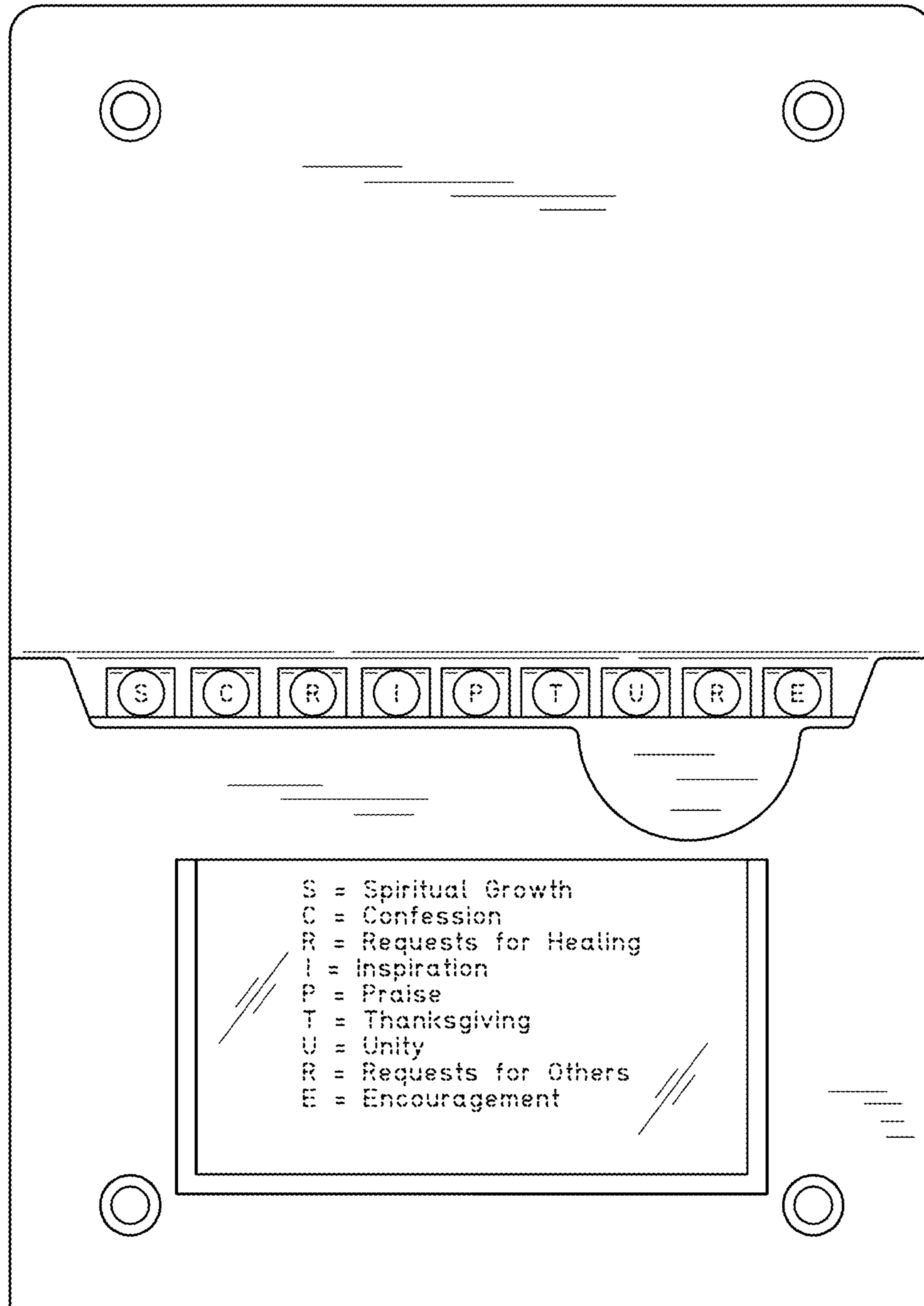


FIG. 1

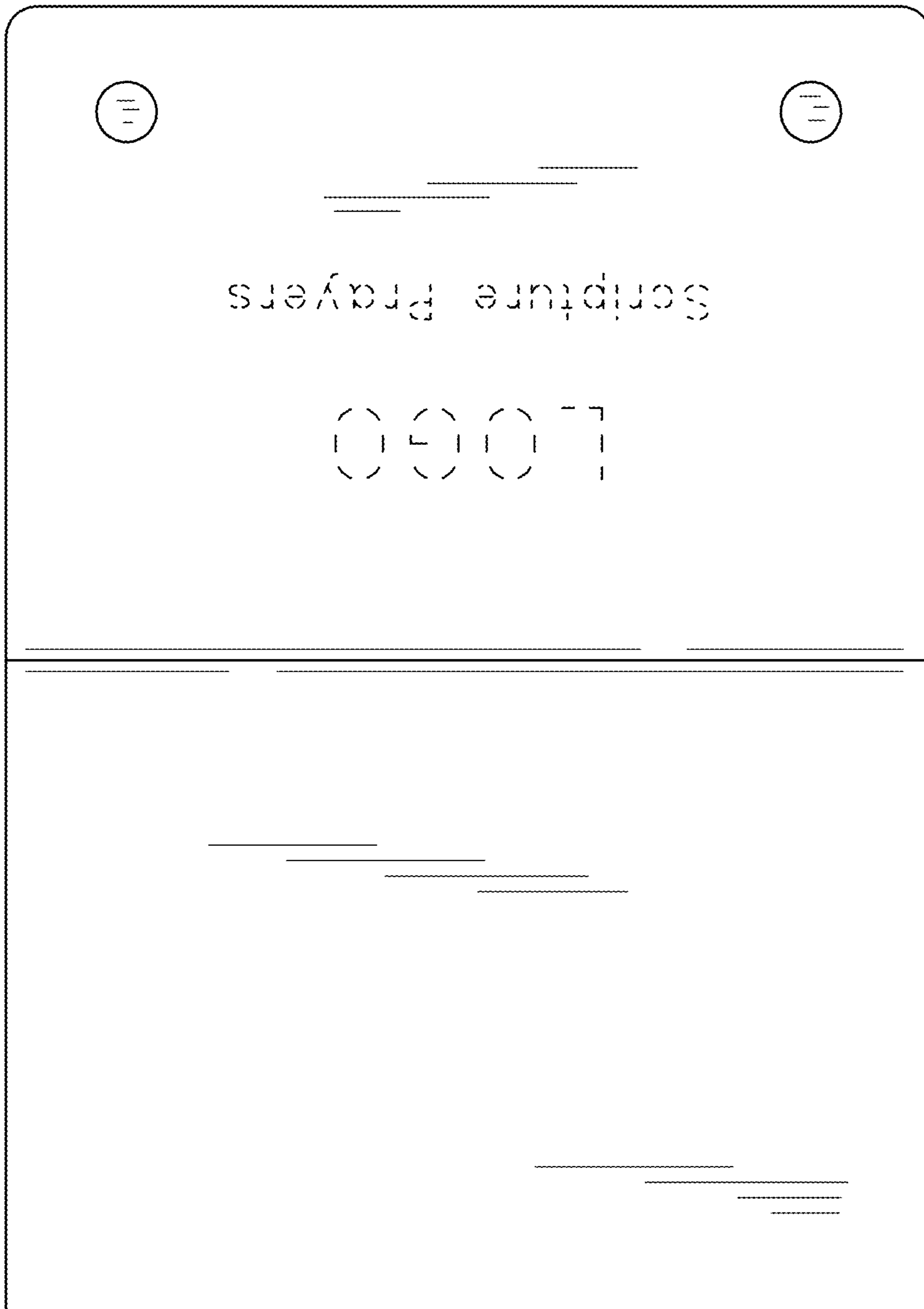


FIG. 2

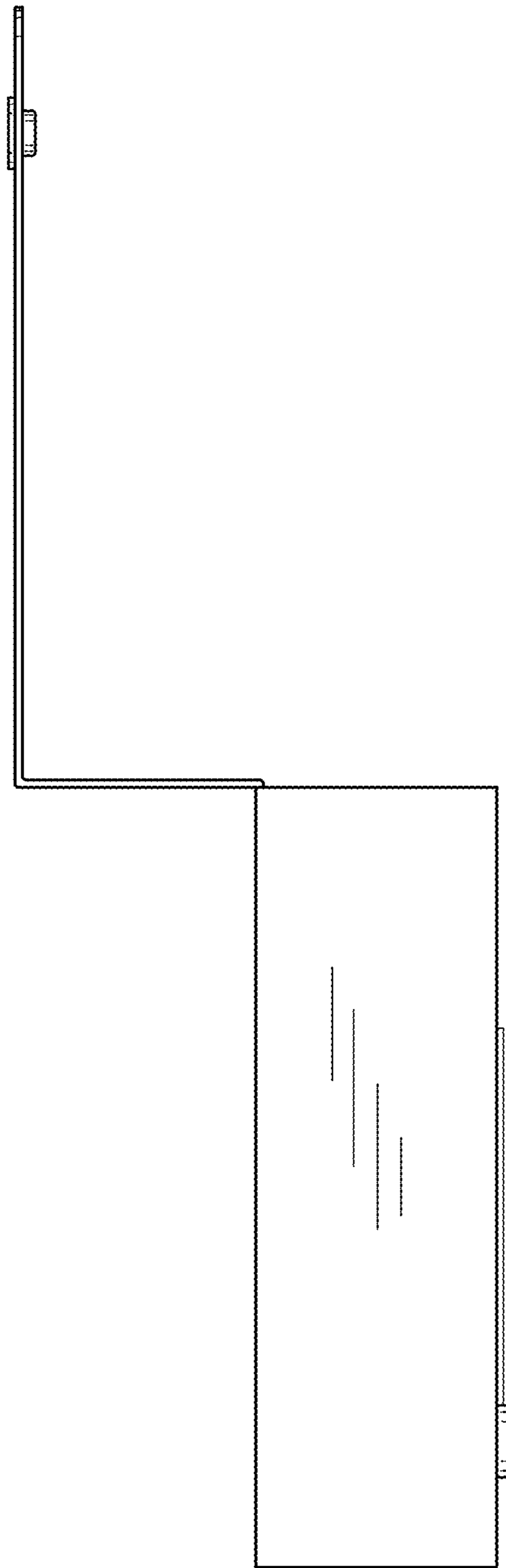


FIG. 3

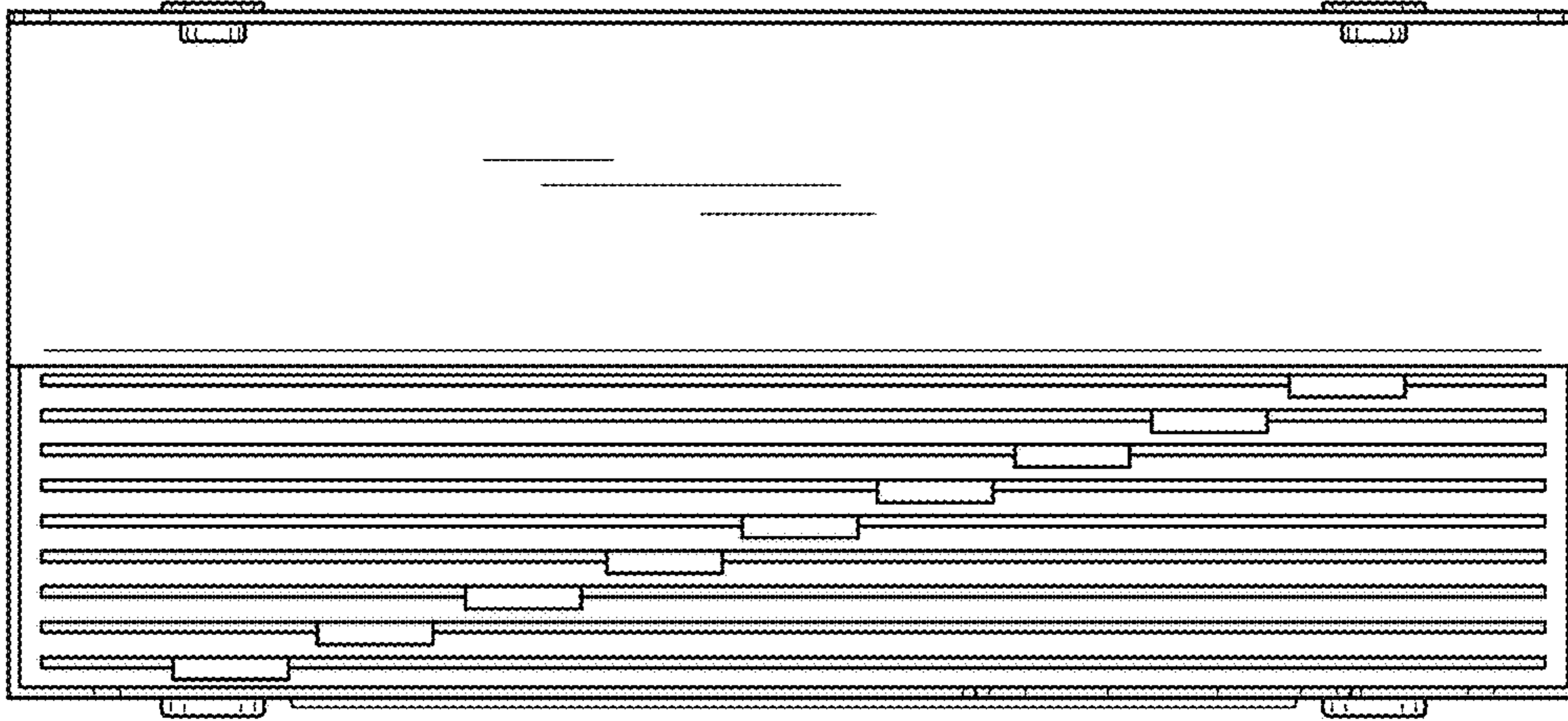


FIG. 4

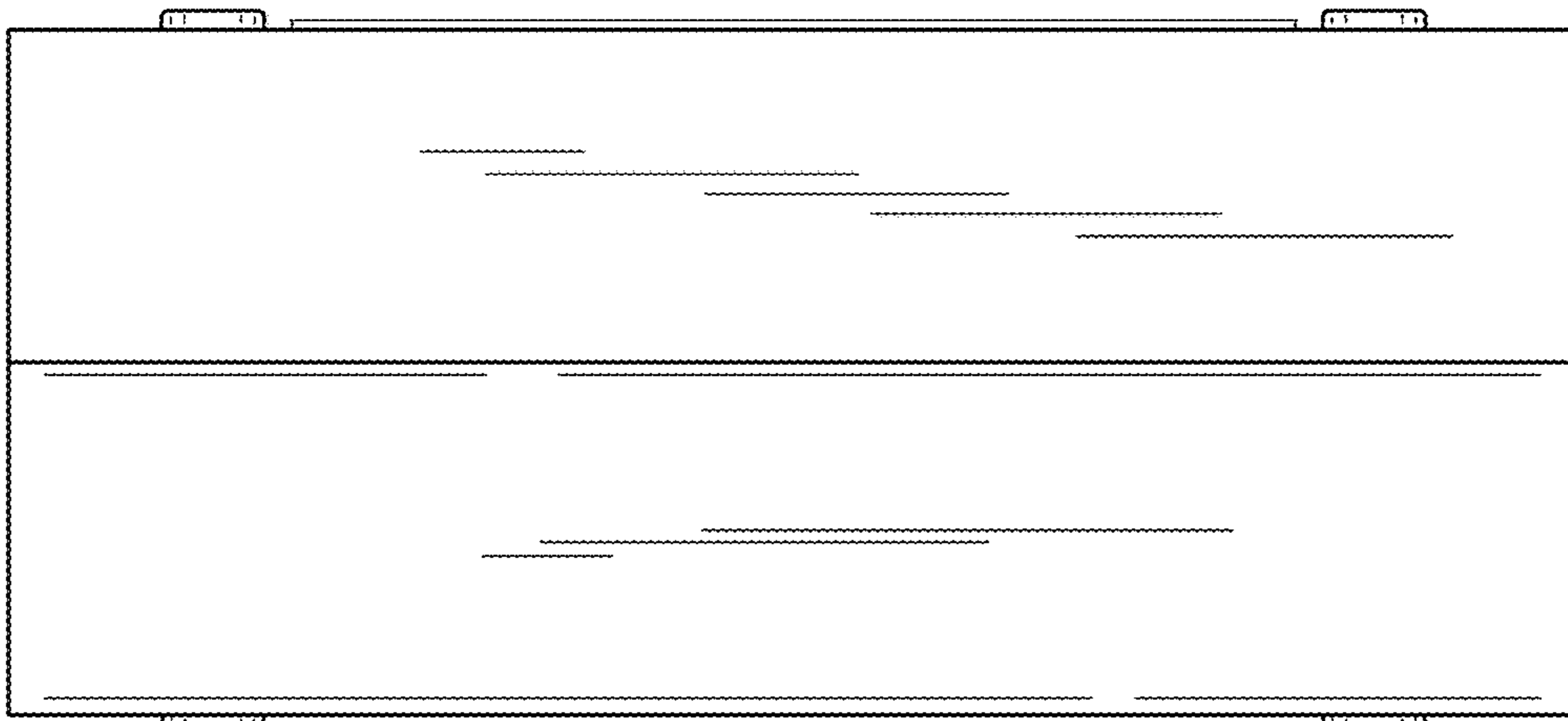


FIG. 5

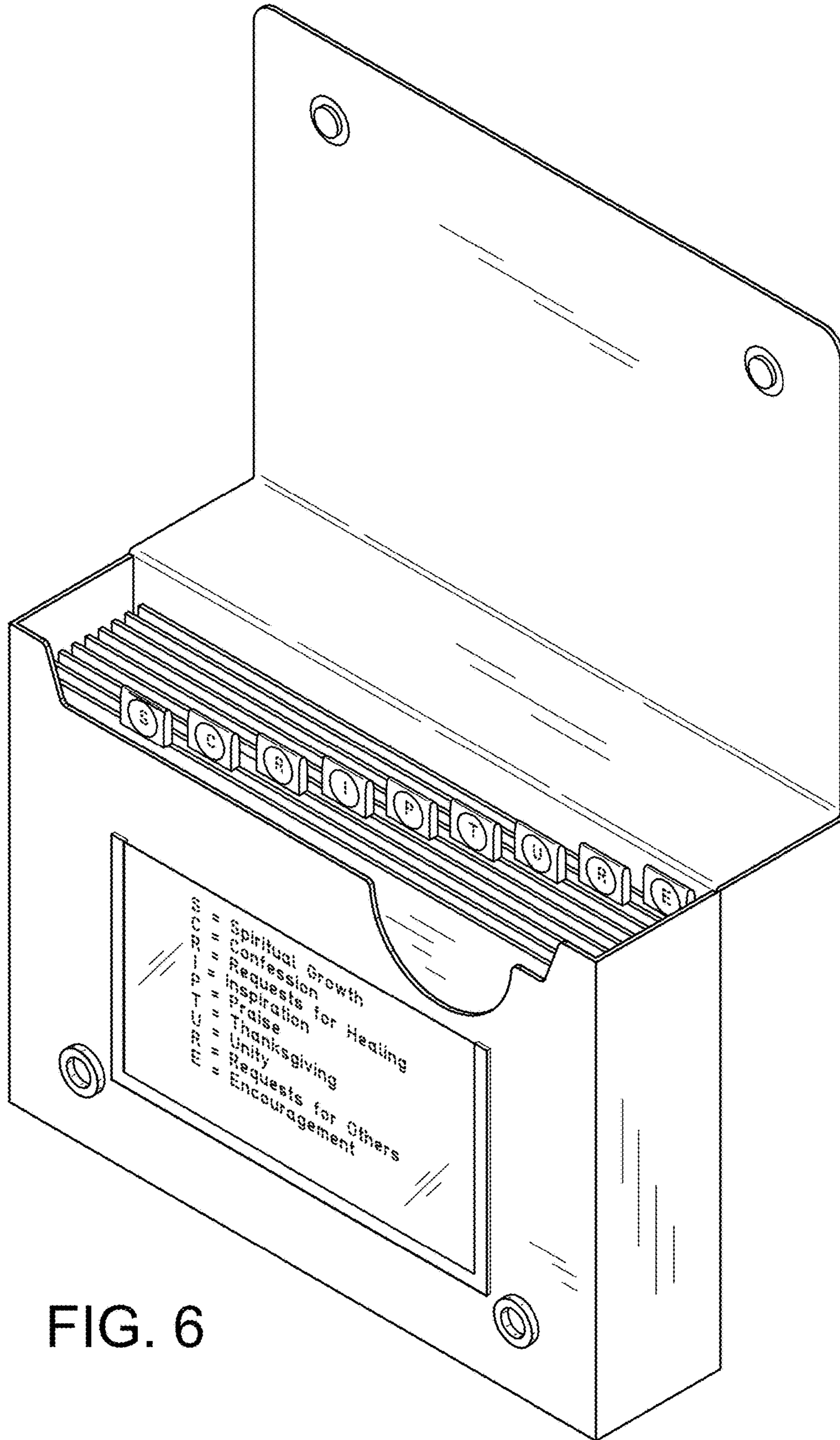


FIG. 6