



US00D823390S

(12) **United States Design Patent**
Walker

(10) **Patent No.:** **US D823,390 S**
(45) **Date of Patent:** **** Jul. 17, 2018**

(54) **COACHING AID**

(71) Applicant: **Bradley John Walker**, Dural (AU)

(72) Inventor: **Bradley John Walker**, Dural (AU)

(73) Assignee: **BBDK PTY LTD**, Dural (AU), AS TRUSTEE FOR BBDK WALKER FAMILY TRUST

(**) Term: **15 Years**

(21) Appl. No.: **29/605,987**

(22) Filed: **May 31, 2017**

(51) **LOC (11) Cl.** **19-07**

(52) **U.S. Cl.**
USPC **D19/59**

(58) **Field of Classification Search**
USPC D19/59-64; D21/315, 356, 385; D10/46.1
CPC ... A63B 69/00; A63B 69/0002; A63B 69/345; A63B 71/06; A63F 3/00028; A63F 3/00031; A63F 3/00047; A63F 3/00533; A63F 7/0608; A63F 7/0612; B43K 23/001; B43K 23/002; B43L 1/00; B43L 1/008; G09B 1/08; G09B 19/0038; G09B 19/22; G09F 7/00

See application file for complete search history.

(56) **References Cited**

U.S. PATENT DOCUMENTS

- 1,042,142 A 10/1912 Pohlig
- 1,741,596 A * 12/1929 Wright A63F 3/00031
273/142 C
- 2,158,368 A * 5/1939 Hurt G09F 7/00
273/239
- 2,355,905 A 8/1944 Bernard
- 2,643,466 A 6/1953 Bucher
- 2,801,476 A * 8/1957 Reed A63B 69/0071
434/248
- 3,685,170 A 8/1972 Fairleigh

- 4,047,308 A 9/1977 Wheeler
- 4,186,928 A 2/1980 Hunt
- 4,378,115 A * 3/1983 Terrero A63F 3/00031
273/244.2
- 4,452,453 A 6/1984 Daley et al.
(Continued)

OTHER PUBLICATIONS

- U.S. Appl. No. 29/621,519, filed Oct. 9, 2017.
- U.S. Appl. No. 29/590,385, filed Jan. 10, 2017.

Primary Examiner — Ian Simmons
Assistant Examiner — Mark Cavanna
(74) *Attorney, Agent, or Firm* — Gorman IP Law, APC

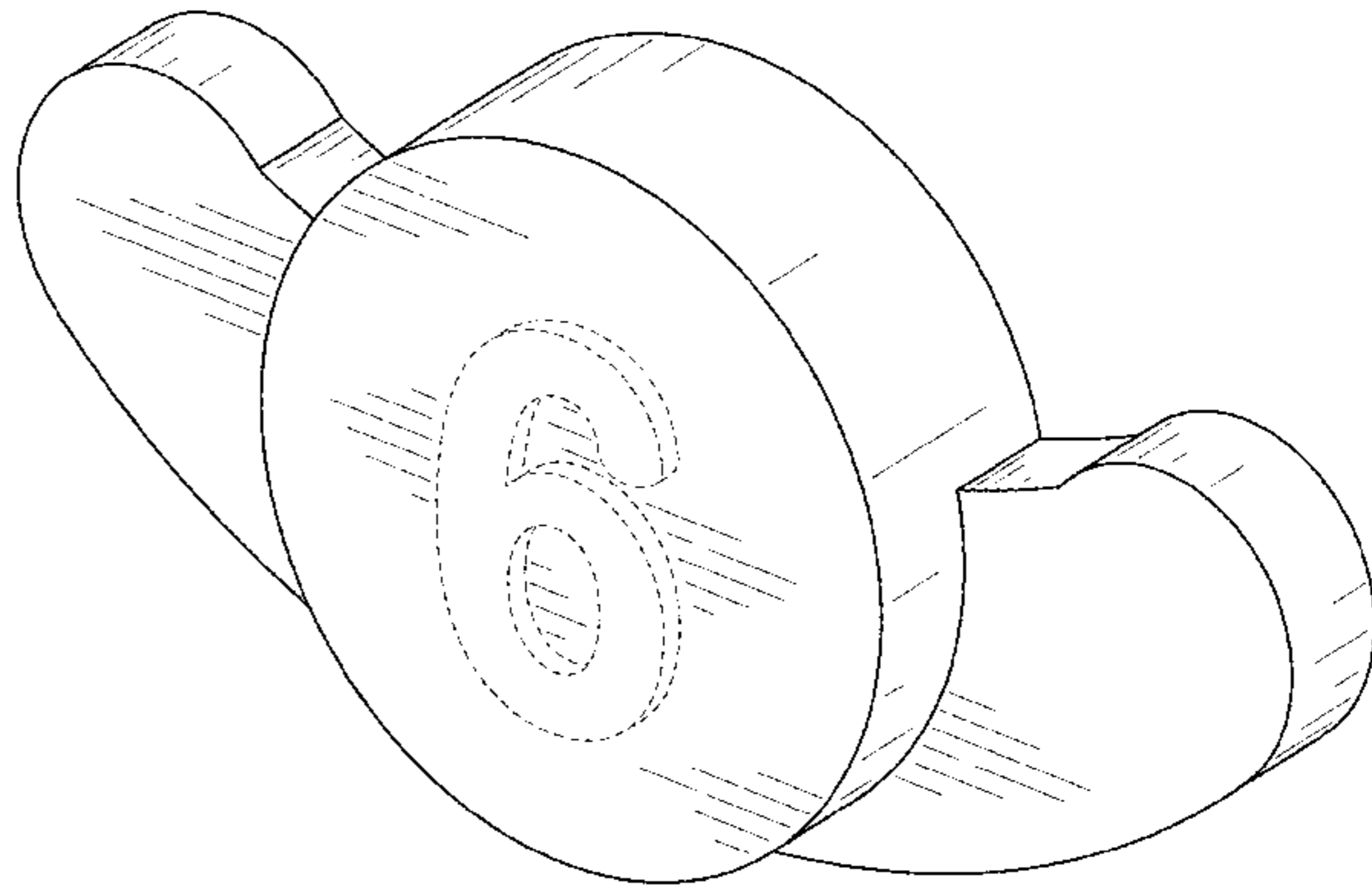
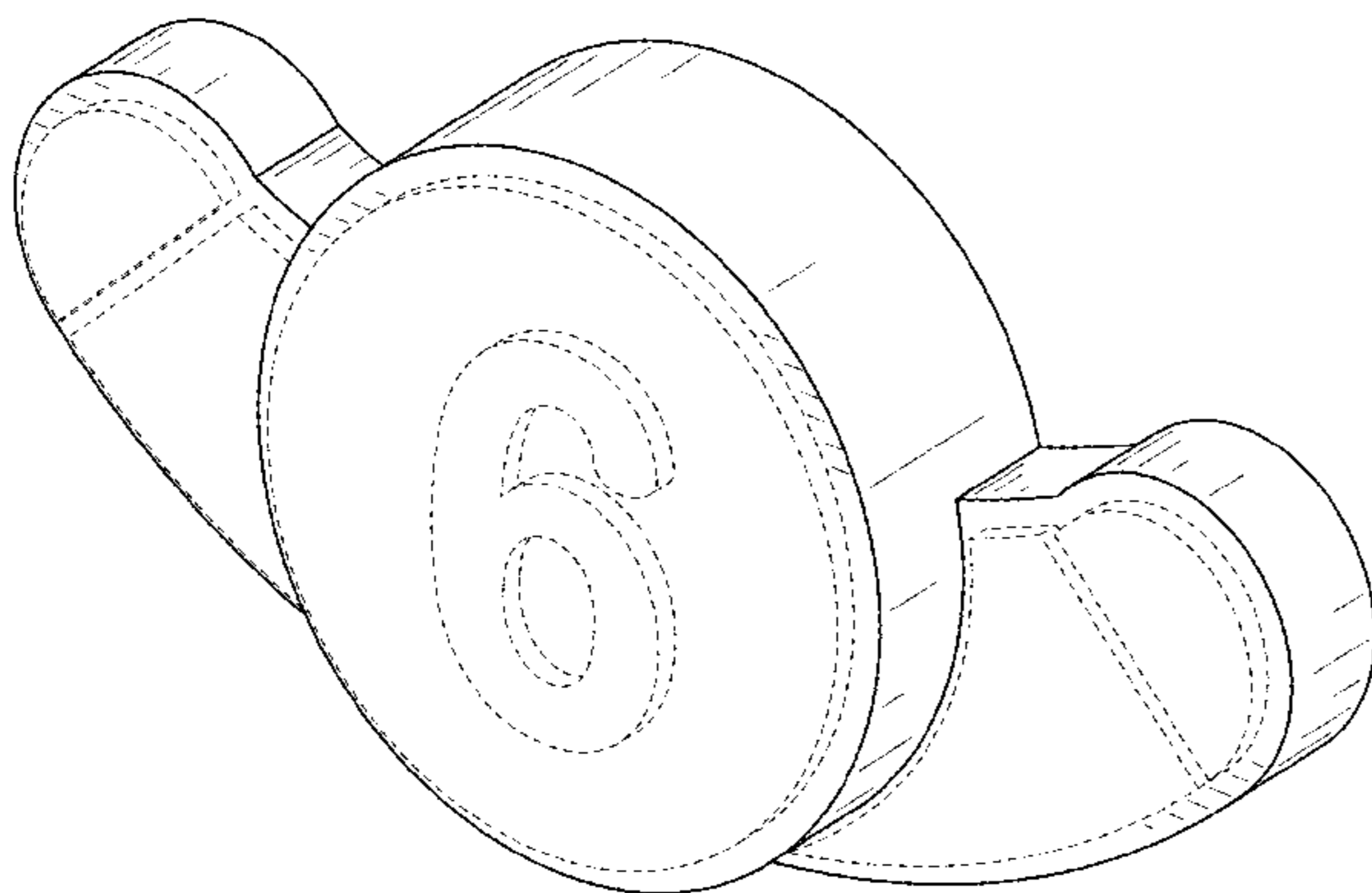
(57) **CLAIM**

The ornamental design for a coaching aid, as shown and described.

DESCRIPTION

FIG. 1 is a perspective view of the first embodiment of a coaching aid showing my new design; FIG. 2 is a top view thereof; FIG. 3 is a bottom view thereof; FIG. 4 is a right side view thereof; FIG. 5 is a left side view thereof; FIG. 6 is a front view thereof; and FIG. 7 is a back view thereof. FIG. 8 is a perspective view of the second embodiment of a coaching aid showing my new design; FIG. 9 is a top view thereof; FIG. 10 is a bottom view thereof; FIG. 11 is a right side view thereof; FIG. 12 is a left side view thereof; FIG. 13 is a front view thereof; and, FIG. 14 is a back view thereof. The broken lines are included for the purpose of illustrating portions of the coaching aid that form no part of the claimed design.

1 Claim, 8 Drawing Sheets



(56)

References Cited

U.S. PATENT DOCUMENTS

4,687,199	A *	8/1987	Aguirregomezcorta	
			A63F 3/00031
				273/145 C
5,123,653	A	6/1992	Murphy et al.	
5,201,520	A *	4/1993	Castle	A63F 7/0608
				273/317.9
5,263,866	A	11/1993	Campbell	
5,664,780	A	9/1997	Bricker	
5,749,581	A	5/1998	Poisson	
6,379,156	B1	4/2002	Laravea et al.	
6,464,507	B1	10/2002	Bailey	
6,530,571	B1	3/2003	McWilliams	
D525,662	S *	7/2006	Quinn	D21/315
7,293,771	B1	11/2007	Montgomery	
D596,236	S	7/2009	Hackes	
8,641,426	B2	2/2014	Yang	
D813,304	S *	3/2018	Walker	D19/59
2007/0099730	A1	5/2007	Driver	
2007/0238080	A1	10/2007	Lynch	
2010/0279261	A1 *	11/2010	Gatenby	A63B 69/00
				434/247

* cited by examiner

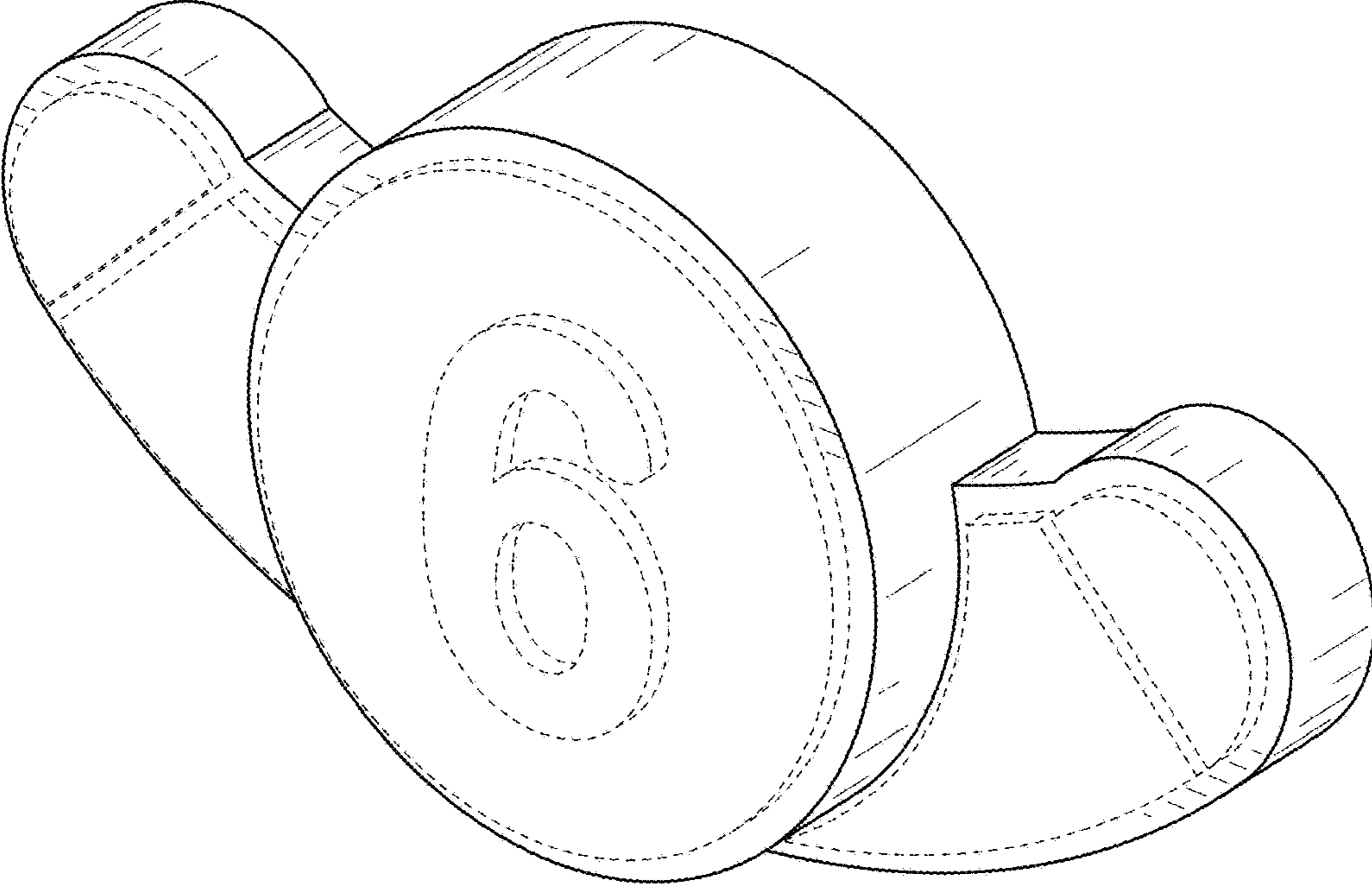


FIG. 1

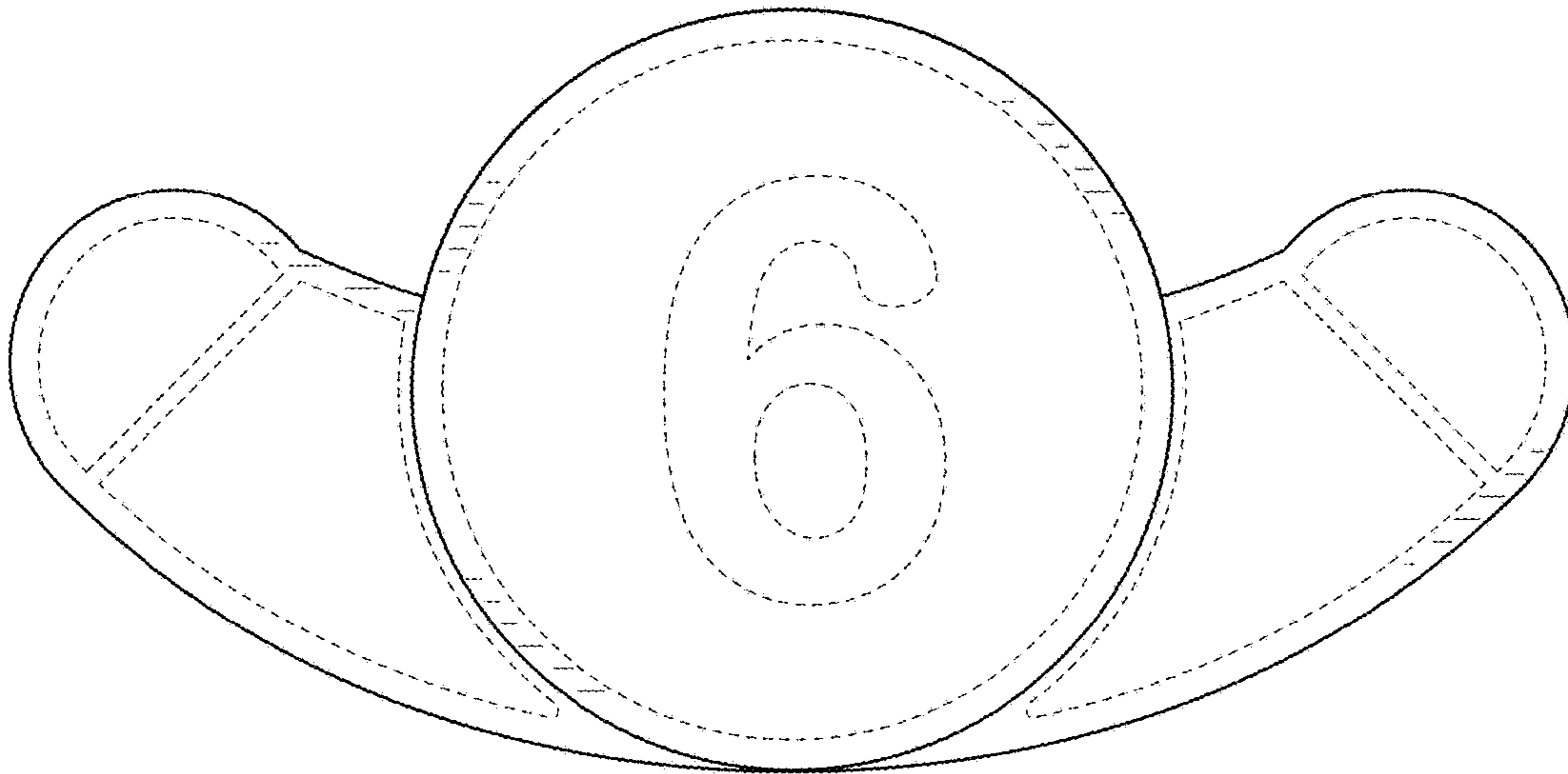


FIG. 2

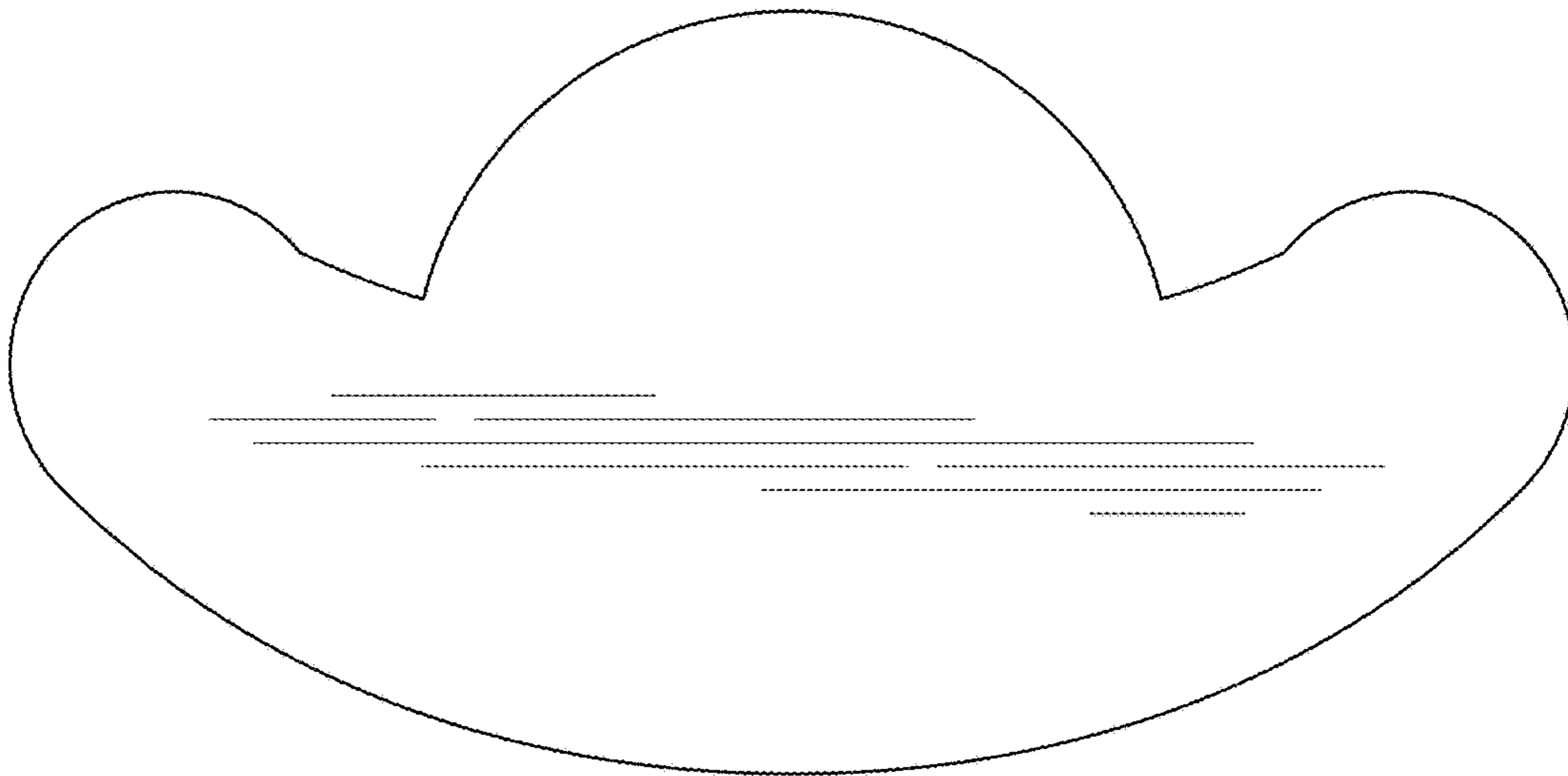


FIG. 3

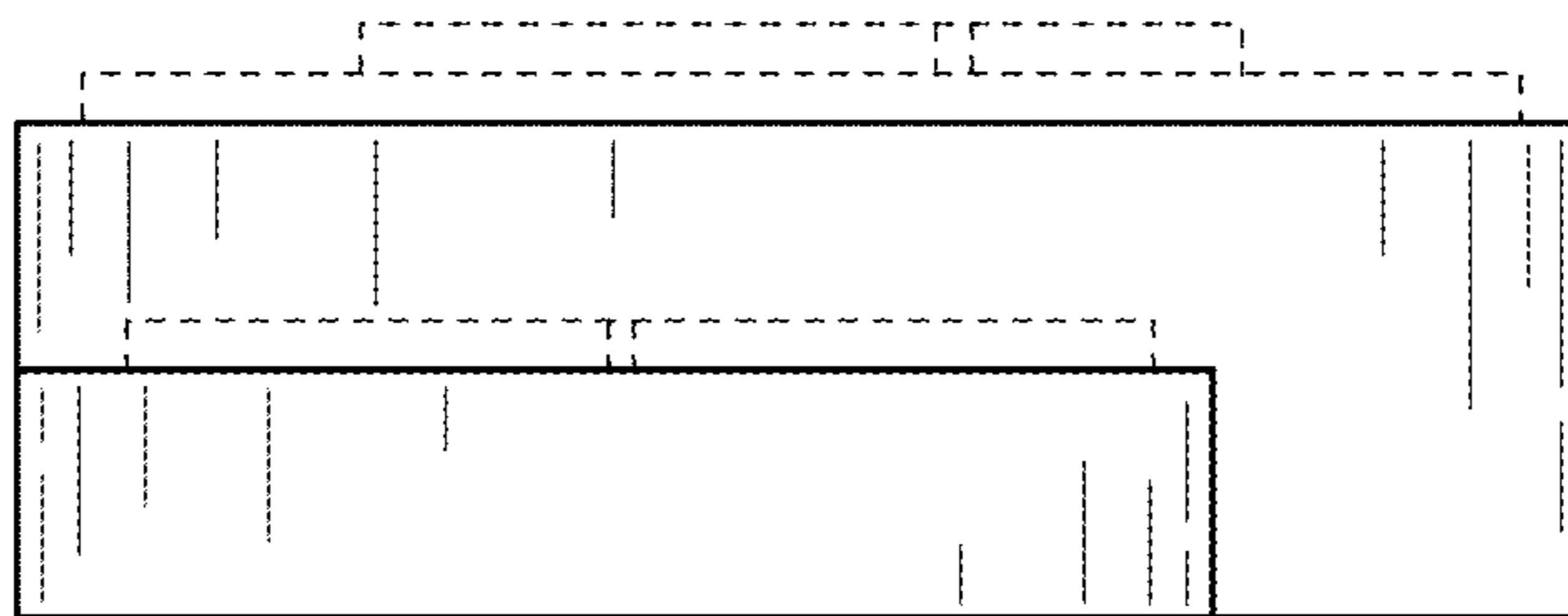


FIG. 4

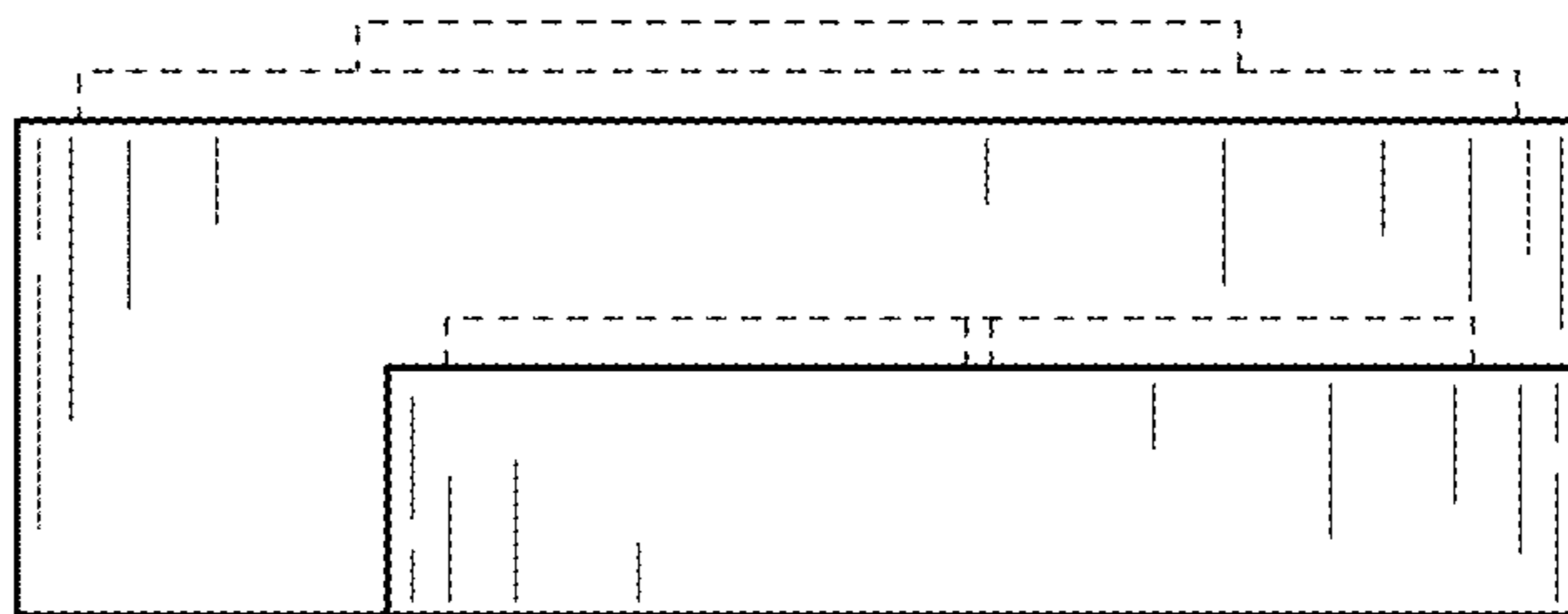


FIG. 5

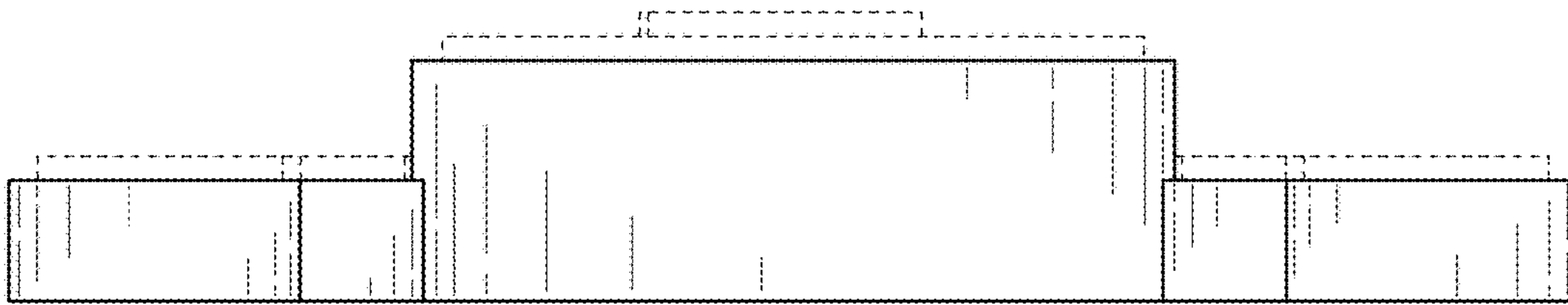


FIG. 6

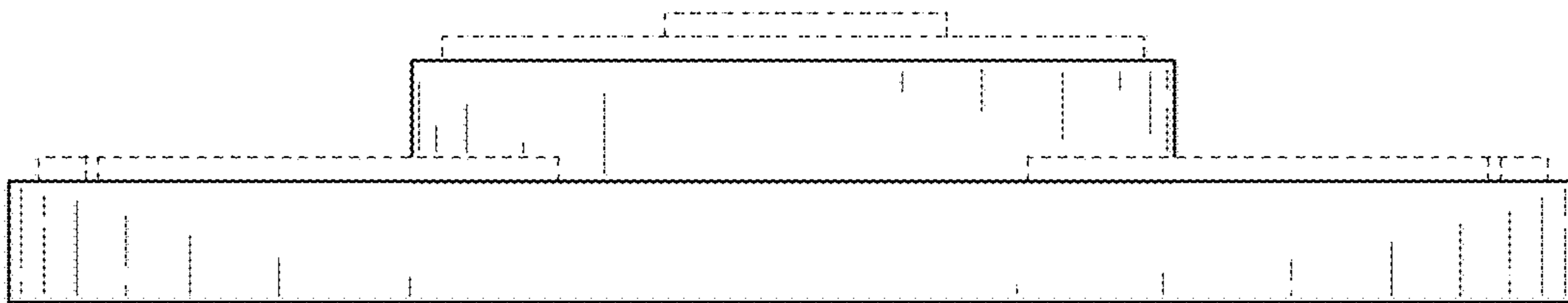


FIG. 7

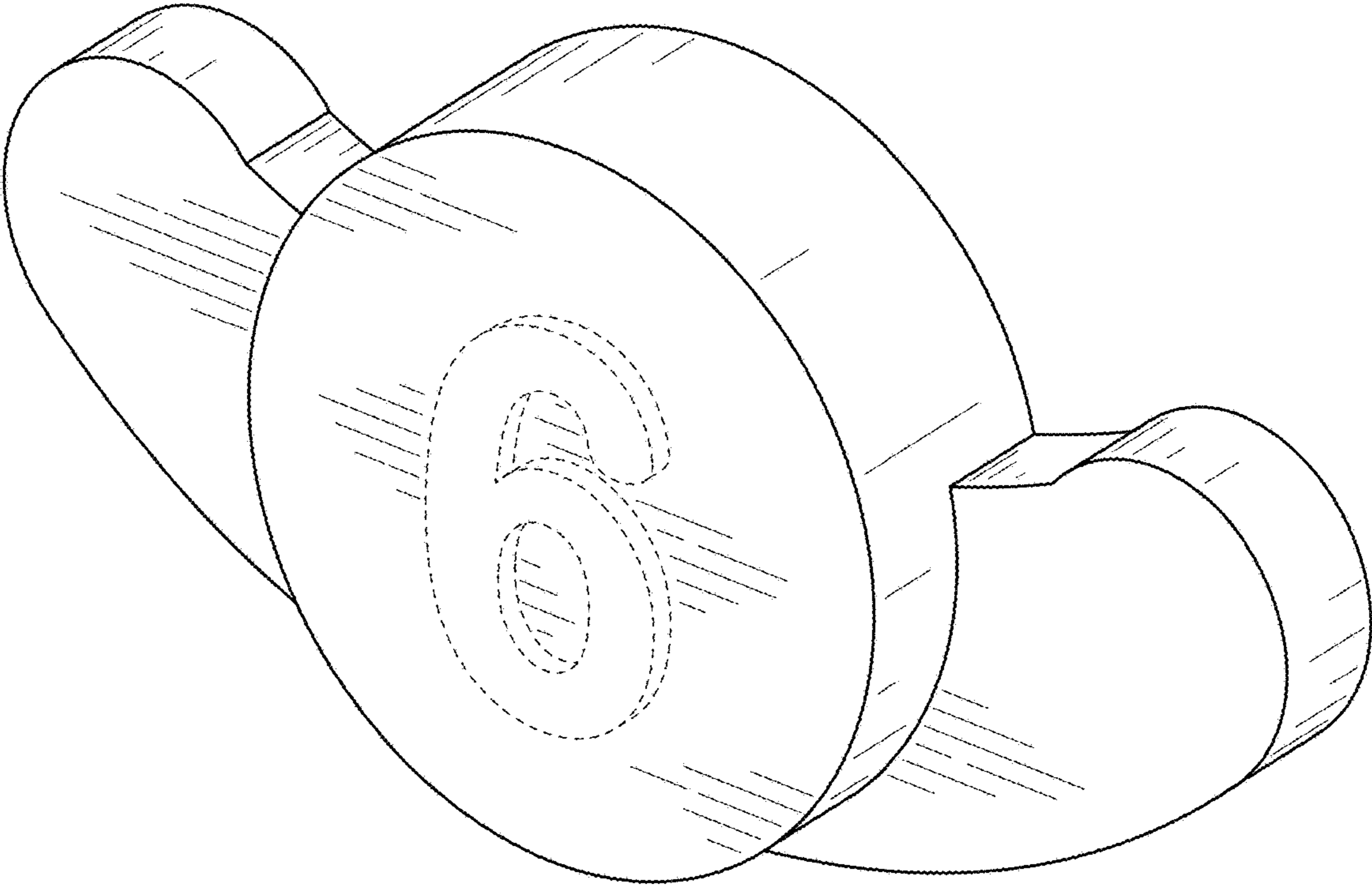


FIG. 8

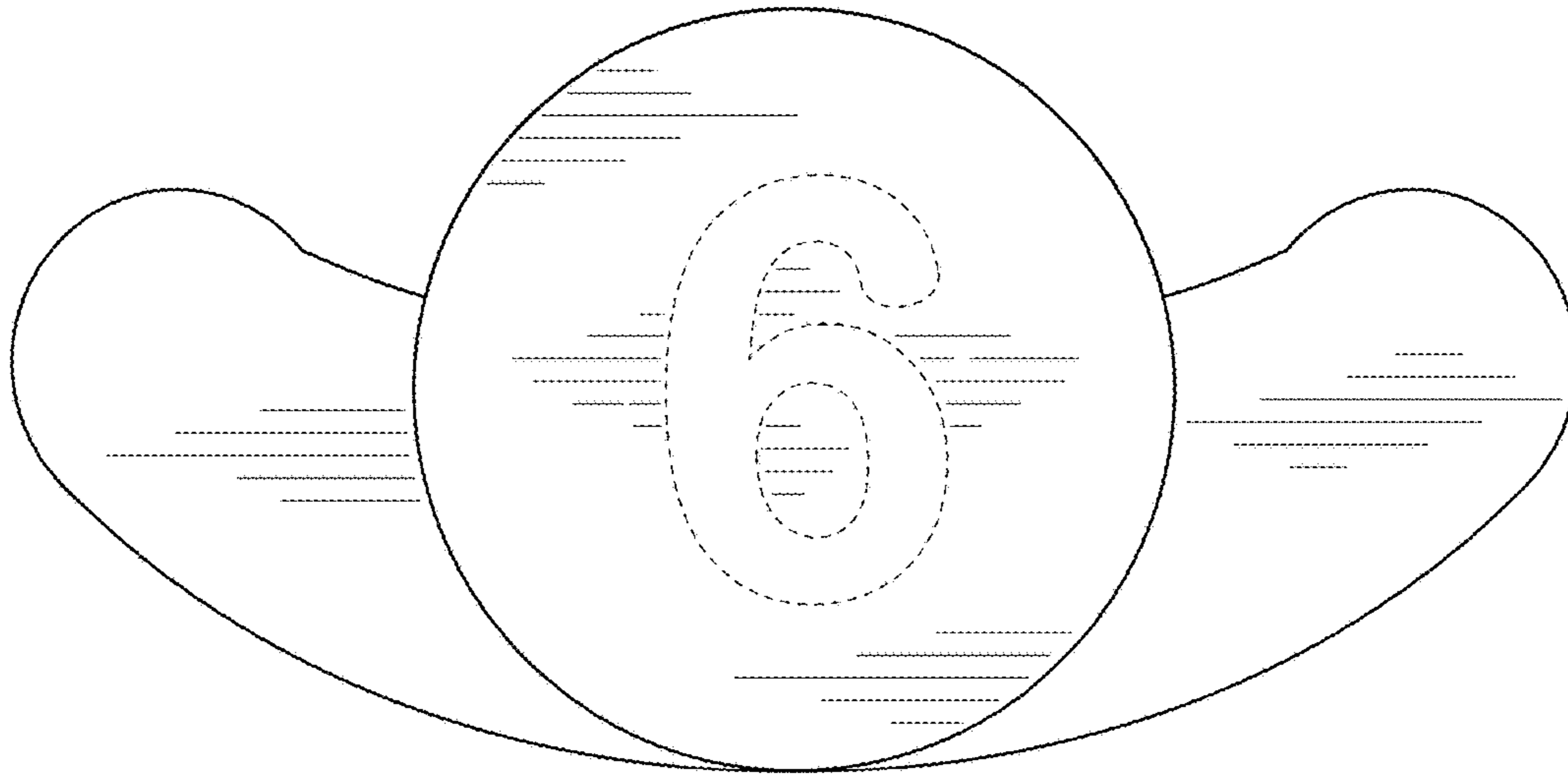


FIG. 9

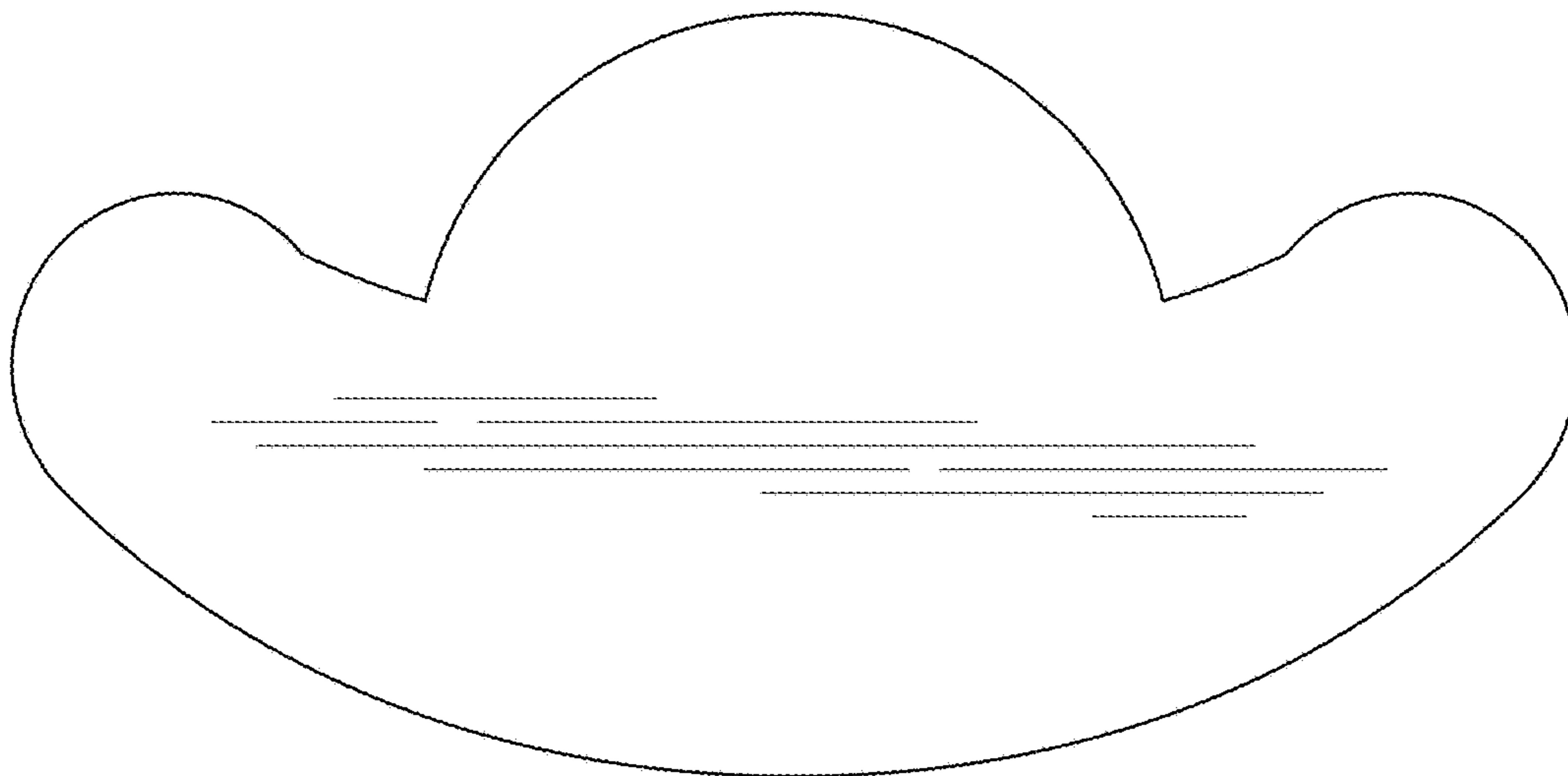


FIG. 10

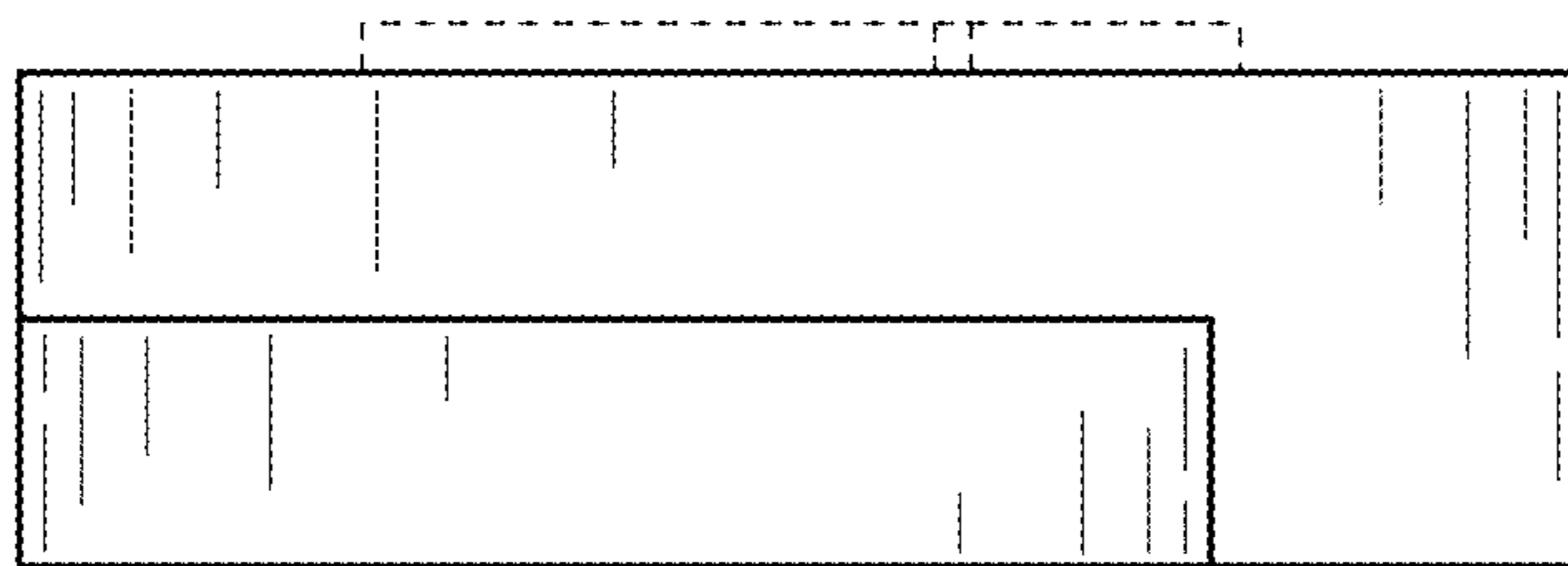


FIG. 11

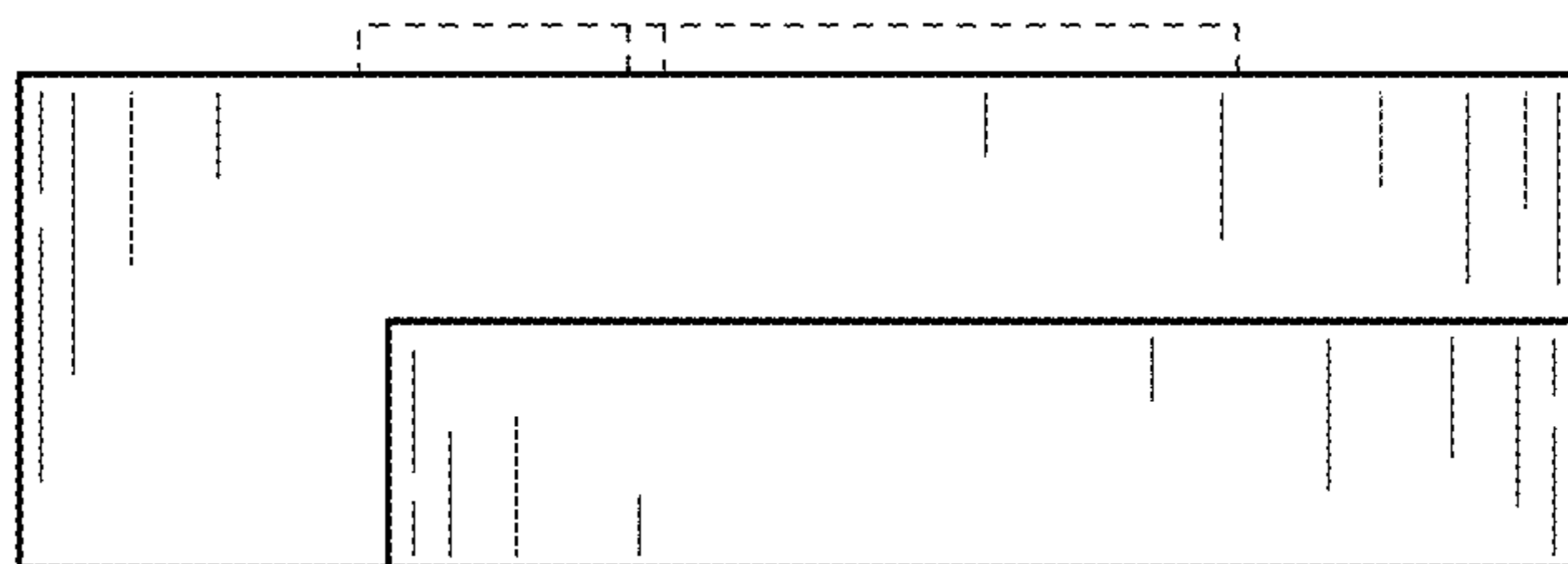


FIG. 12

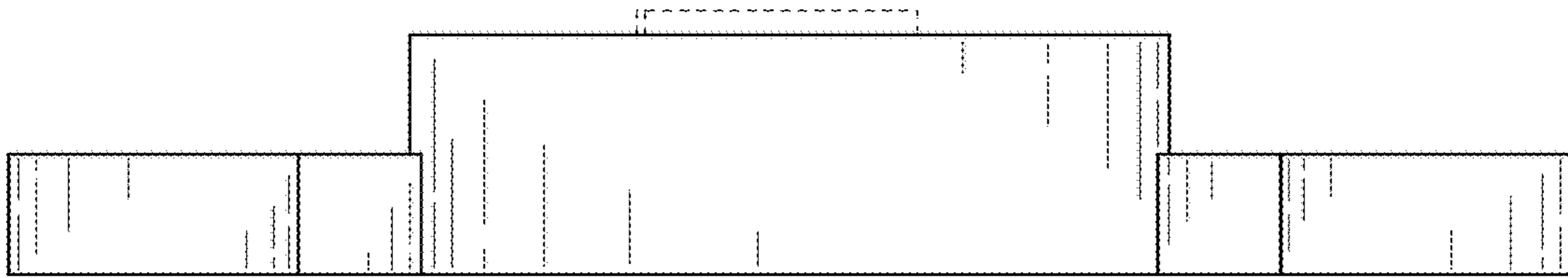


FIG. 13

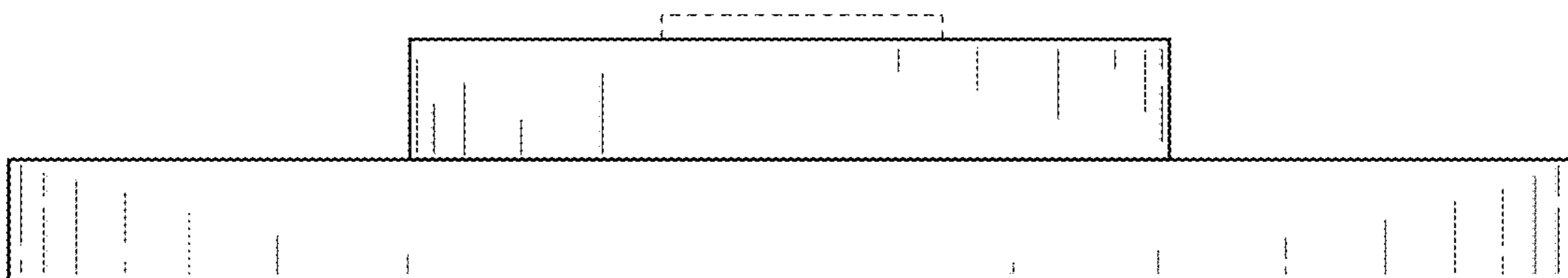


FIG. 14