



US00D823387S

(12) **United States Design Patent**
Bond

(10) **Patent No.:** **US D823,387 S**

(45) **Date of Patent:** **** Jul. 17, 2018**

(54) **DISTANCE MEASURING GUIDE FOR PRINTER**

(71) Applicant: **Dover Europe Sarl**, Vernier (CH)

(72) Inventor: **Nicky Bond**, Nottingham (GB)

(73) Assignee: **Dover Europe Sarl**, Vernier (CH)

(**) Term: **15 Years**

(21) Appl. No.: **29/593,434**

(22) Filed: **Feb. 8, 2017**

(30) **Foreign Application Priority Data**

Aug. 8, 2016 (EM) 003335041-0001

(51) **LOC (11) Cl.** **18-99**

(52) **U.S. Cl.**
USPC **D18/56**

(58) **Field of Classification Search**
USPC D8/349, 354; D10/64, 70; D14/476;
D18/12, 37, 38, 50, 54, 55, 56
CPC ... B41J 11/008; B41J 11/0045; B41J 11/0055;
B41J 11/0065; B41J 13/14
See application file for complete search history.

(56) **References Cited**

U.S. PATENT DOCUMENTS

D240,013 S * 5/1976 McKee D8/354
D257,038 S * 9/1980 Leblanc D18/56
4,325,645 A * 4/1982 Miyajima B41J 32/02
400/196.1
D265,569 S * 7/1982 Prisbe D18/56
D272,075 S * 1/1984 Martell D18/12
4,707,159 A * 11/1987 Hirano B41J 11/48
400/196.1
4,900,171 A * 2/1990 Mueller B41J 32/00
400/208
D308,643 S * 6/1990 Ellard D10/64

4,940,994 A * 7/1990 Habelt B41J 11/08
347/220
5,564,847 A * 10/1996 Patrick B41J 11/005
271/188
5,800,076 A * 9/1998 Umeda B41J 13/14
271/274
6,296,345 B1 * 10/2001 Kline B41J 2/175
347/49
D453,179 S * 1/2002 Neri D18/12
D465,803 S * 11/2002 Tajima 347/86
D511,677 S * 11/2005 DeBiasio, Jr. D8/354
D525,492 S * 7/2006 Peterson D8/14
D658,520 S * 5/2012 Abdullah D10/64
8,194,108 B1 * 6/2012 Long B41J 11/0035
347/197

(Continued)

OTHER PUBLICATIONS

U.S. Appl. No. 15/889,134, filed Feb. 5, 2018, entitled "Printing Apparatus".

Primary Examiner — Susan B Hattan
Assistant Examiner — Leanne D Was-Englehart
(74) *Attorney, Agent, or Firm* — Fish & Richardson P.C.

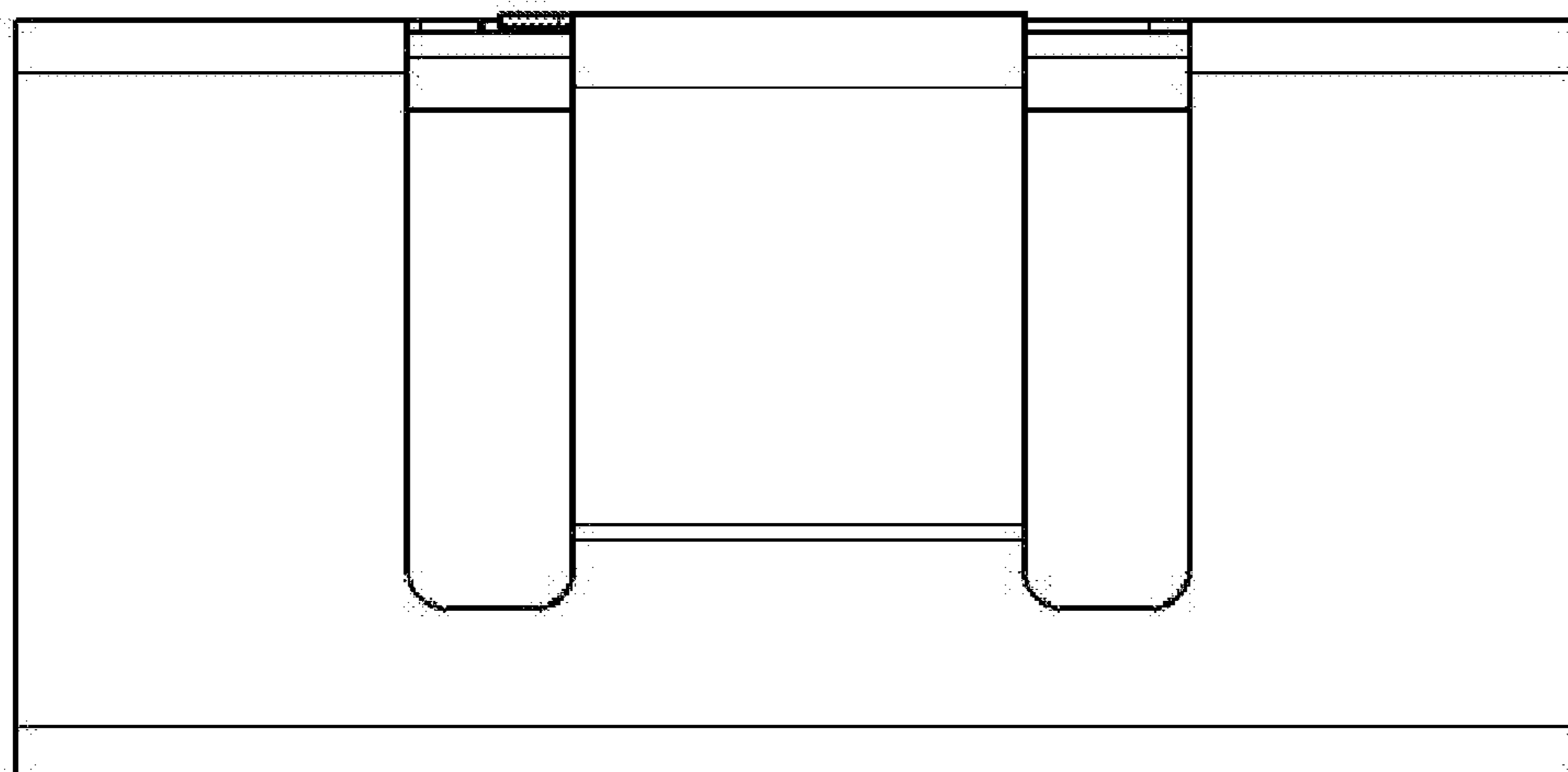
(57) **CLAIM**

The ornamental design for a distance measuring guide for printer, substantially as shown and described.

DESCRIPTION

FIG. 1 is a bottom view of the distance measuring guide.
FIG. 2 is a front view of the distance measuring guide.
FIG. 3 is a front side perspective view of the distance measuring guide.
FIG. 4 is a back side perspective view of the distance measuring guide.
FIG. 5 is a back view of the distance measuring guide.
FIG. 6 is a side view of the distance measuring guide; and,
FIG. 7 is a top view of the distance measuring guide.

1 Claim, 7 Drawing Sheets



(56)

References Cited

U.S. PATENT DOCUMENTS

D729,611	S *	5/2015	Schmidt	D8/349
D730,719	S *	6/2015	Sundberg	D8/354
D753,638	S *	4/2016	Tatem	D14/239
D763,062	S *	8/2016	Tatem	D14/239
2013/0070019	A1 *	3/2013	Beng Keong	B41J 2/2125 347/37
2016/0185135	A1 *	6/2016	Aizawa	B41J 2/32 347/197

* cited by examiner

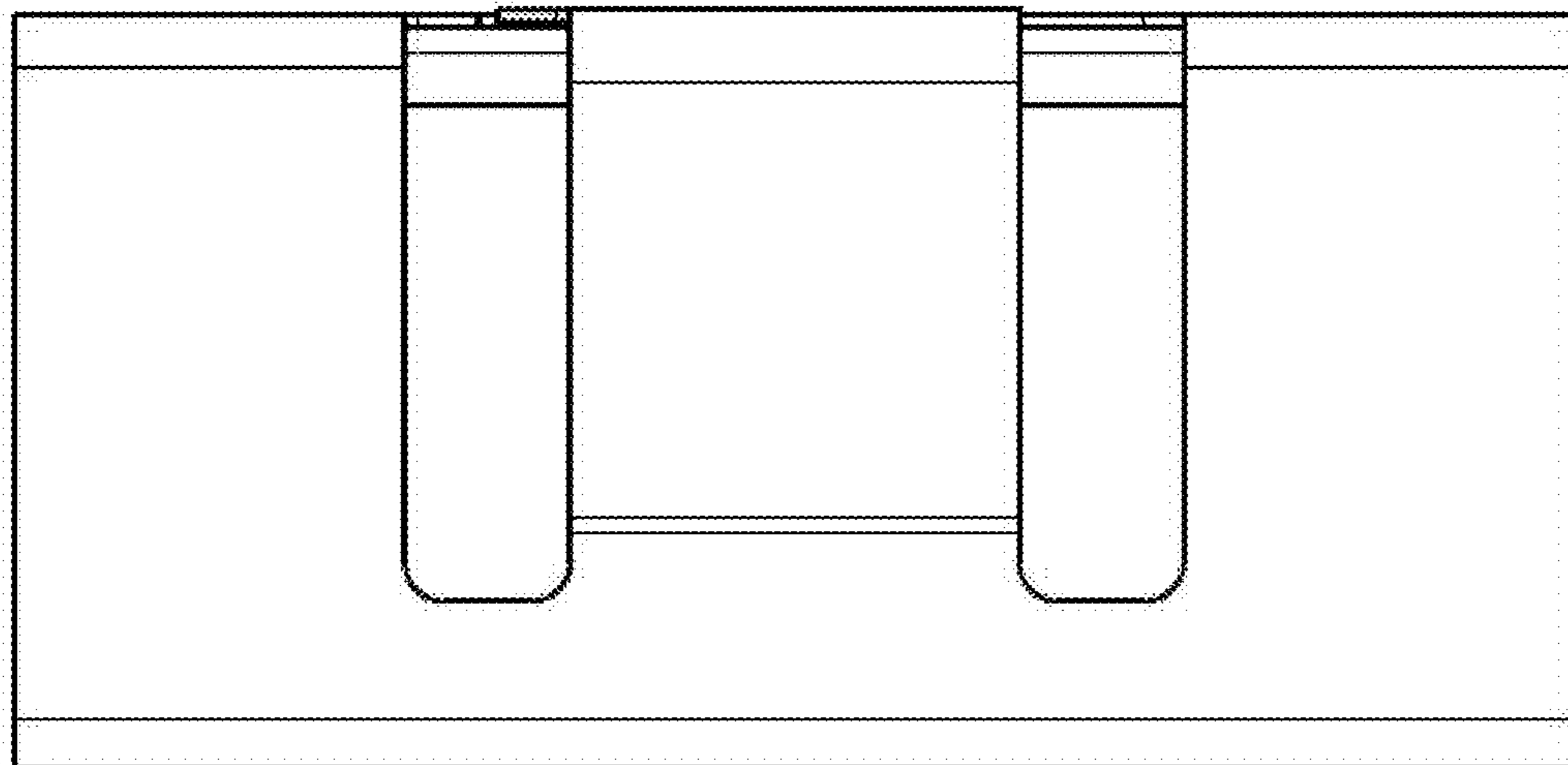


FIG. 1

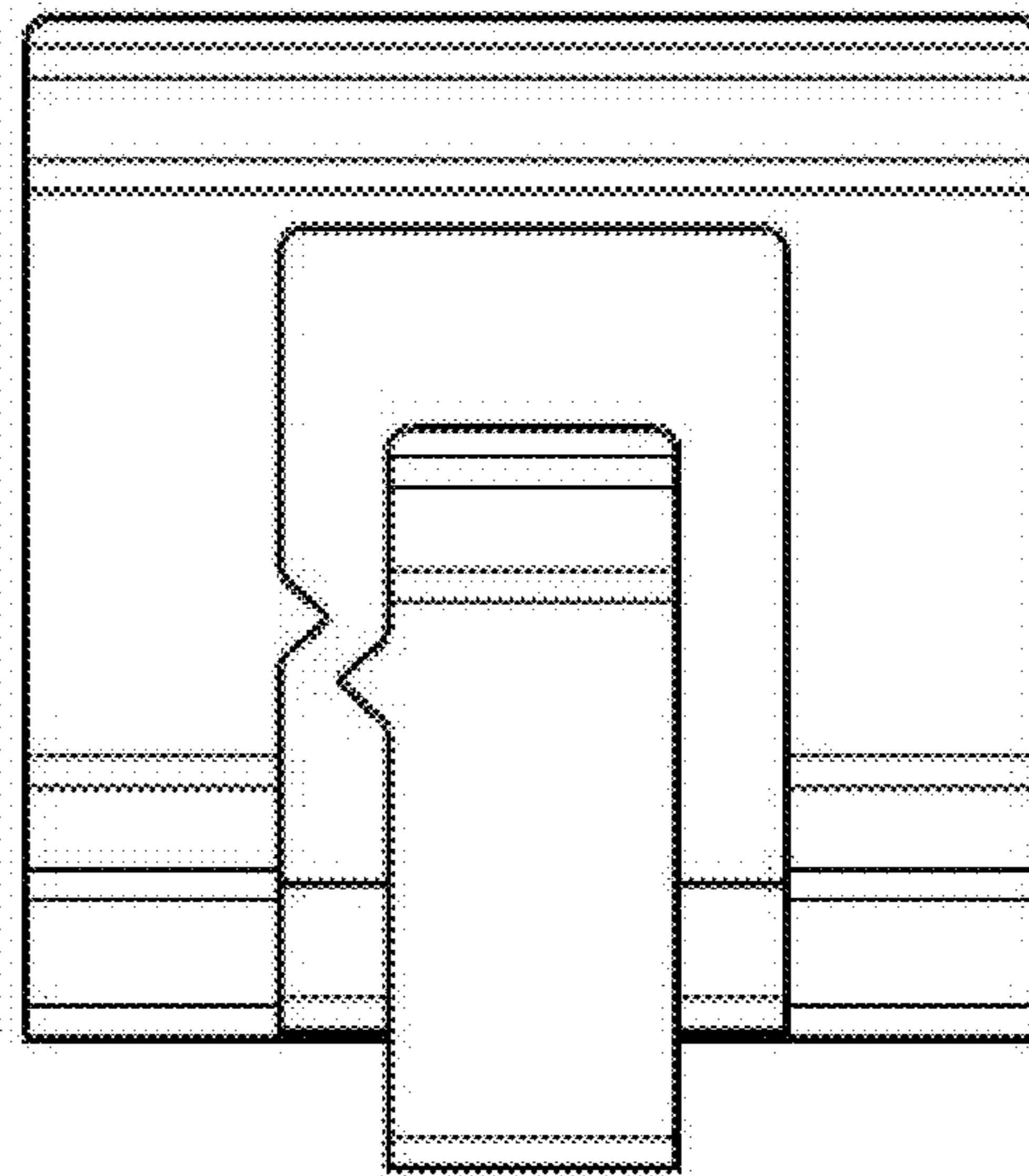


FIG. 2

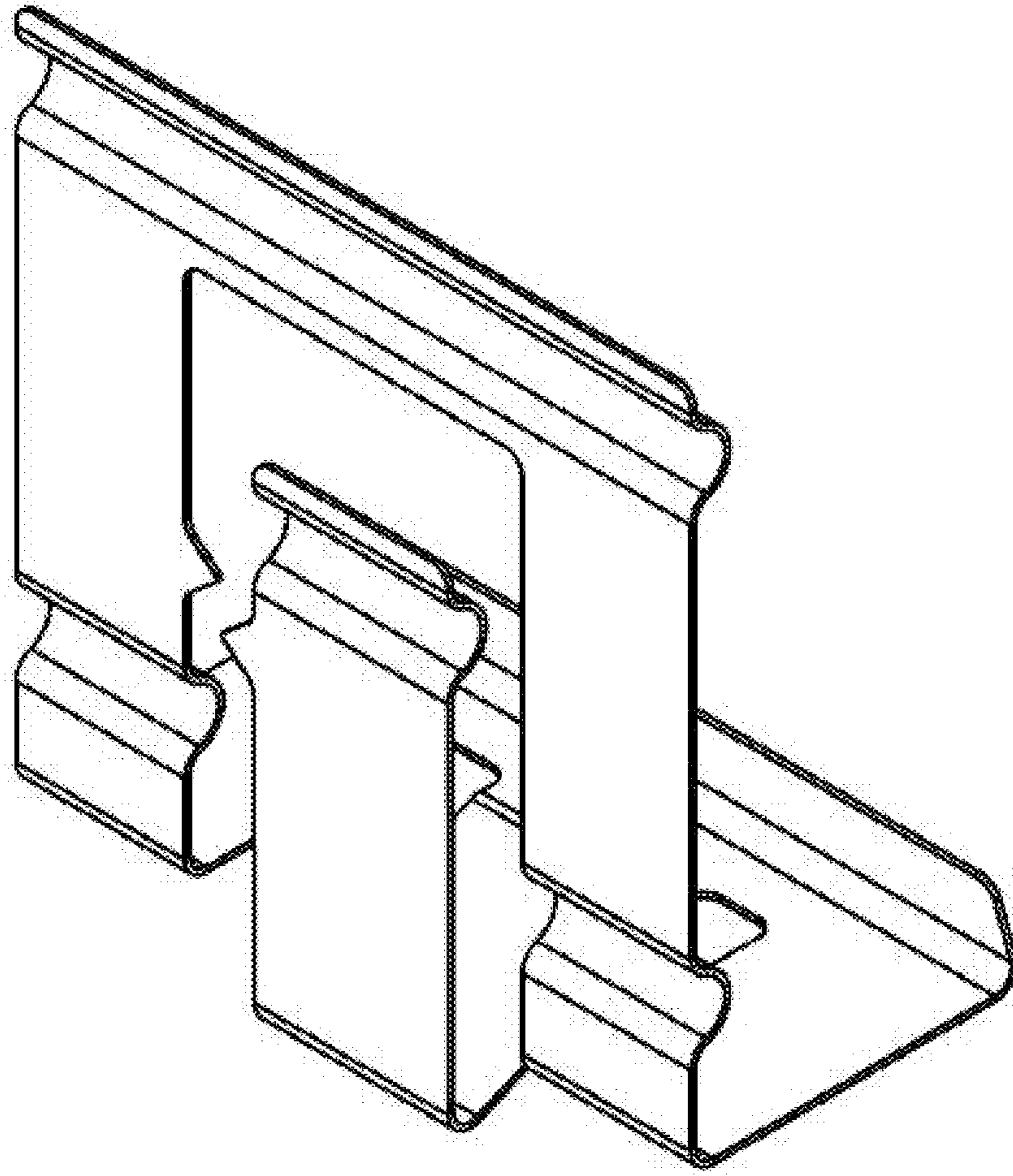


FIG. 3

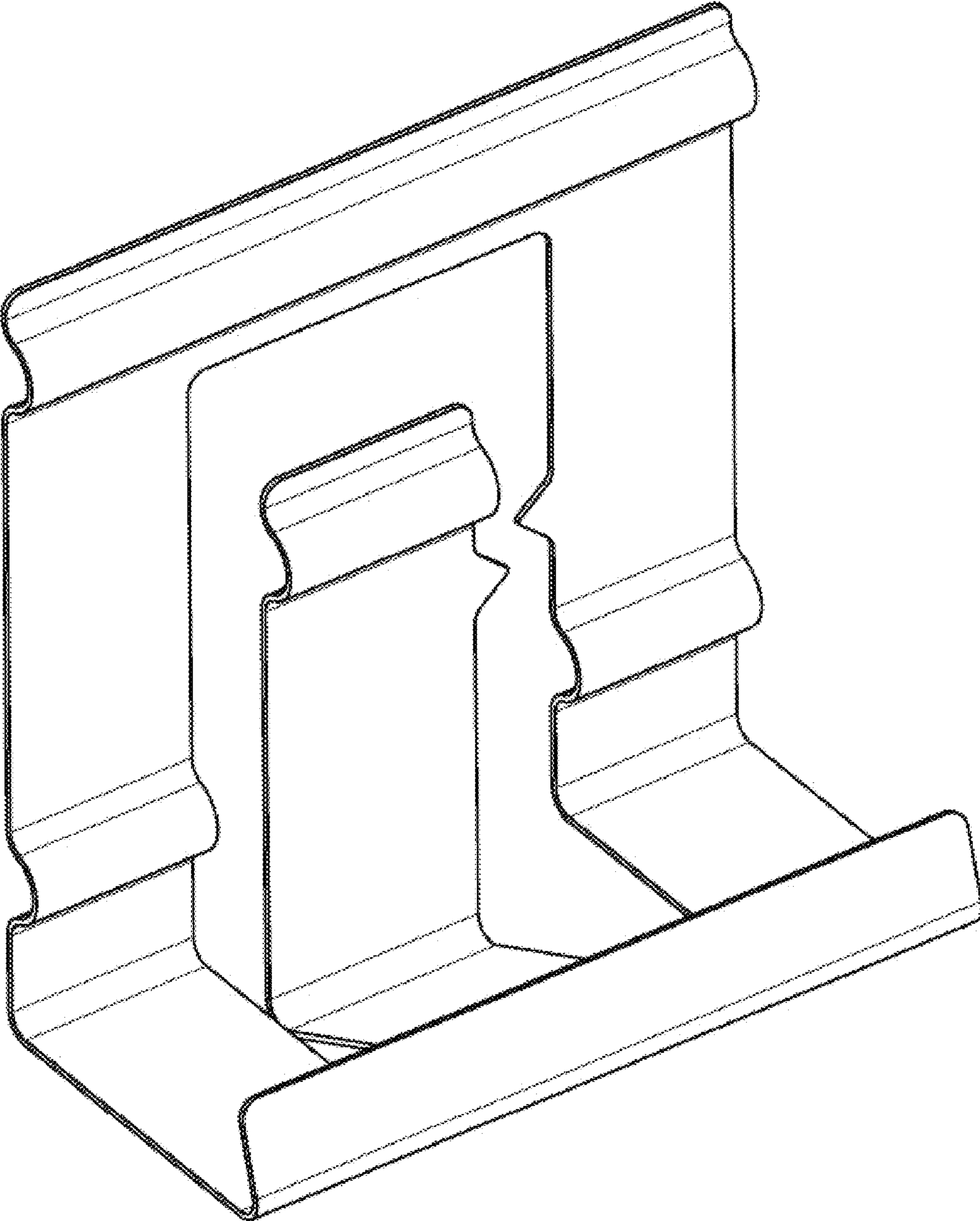


FIG. 4

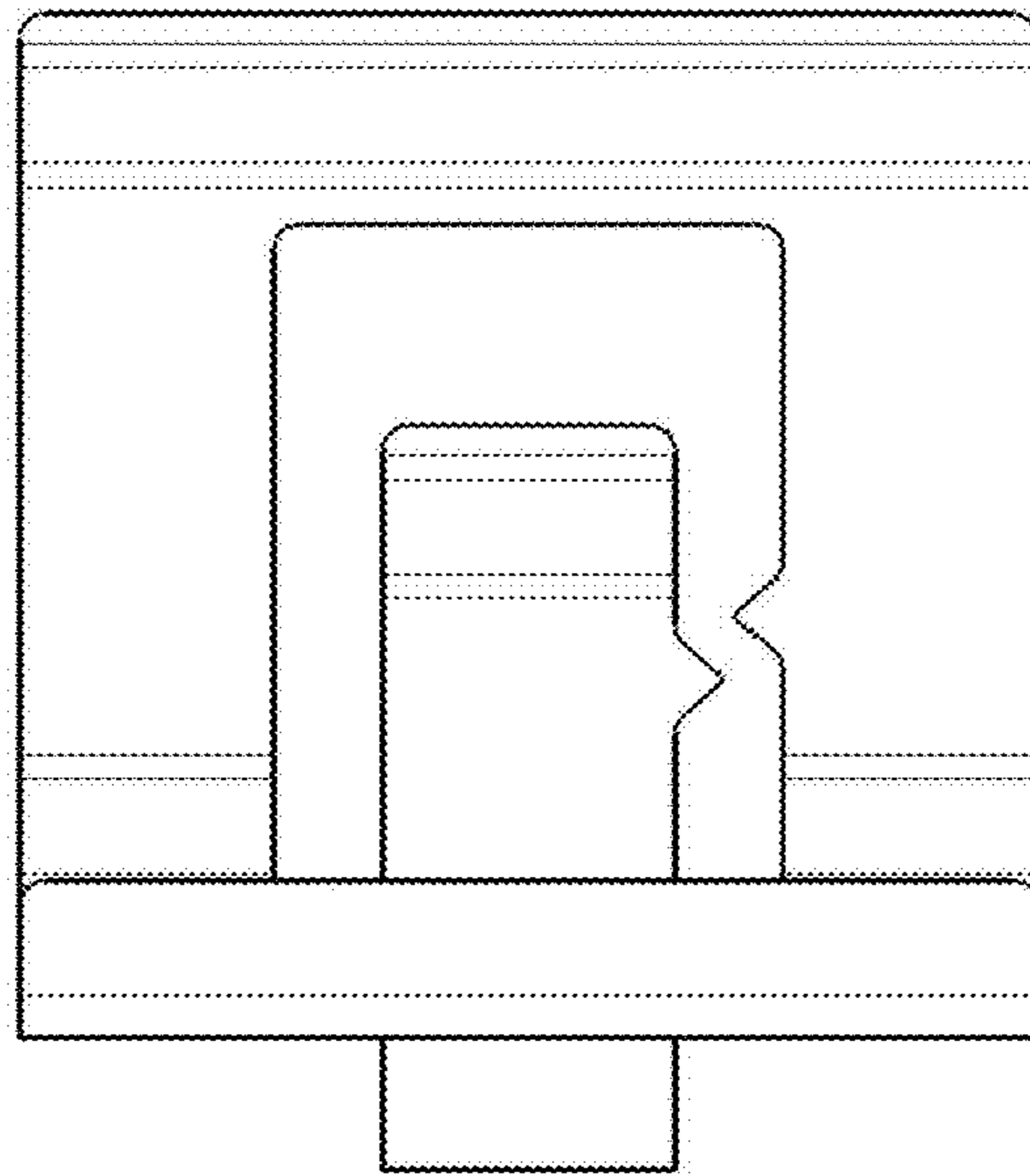


FIG. 5

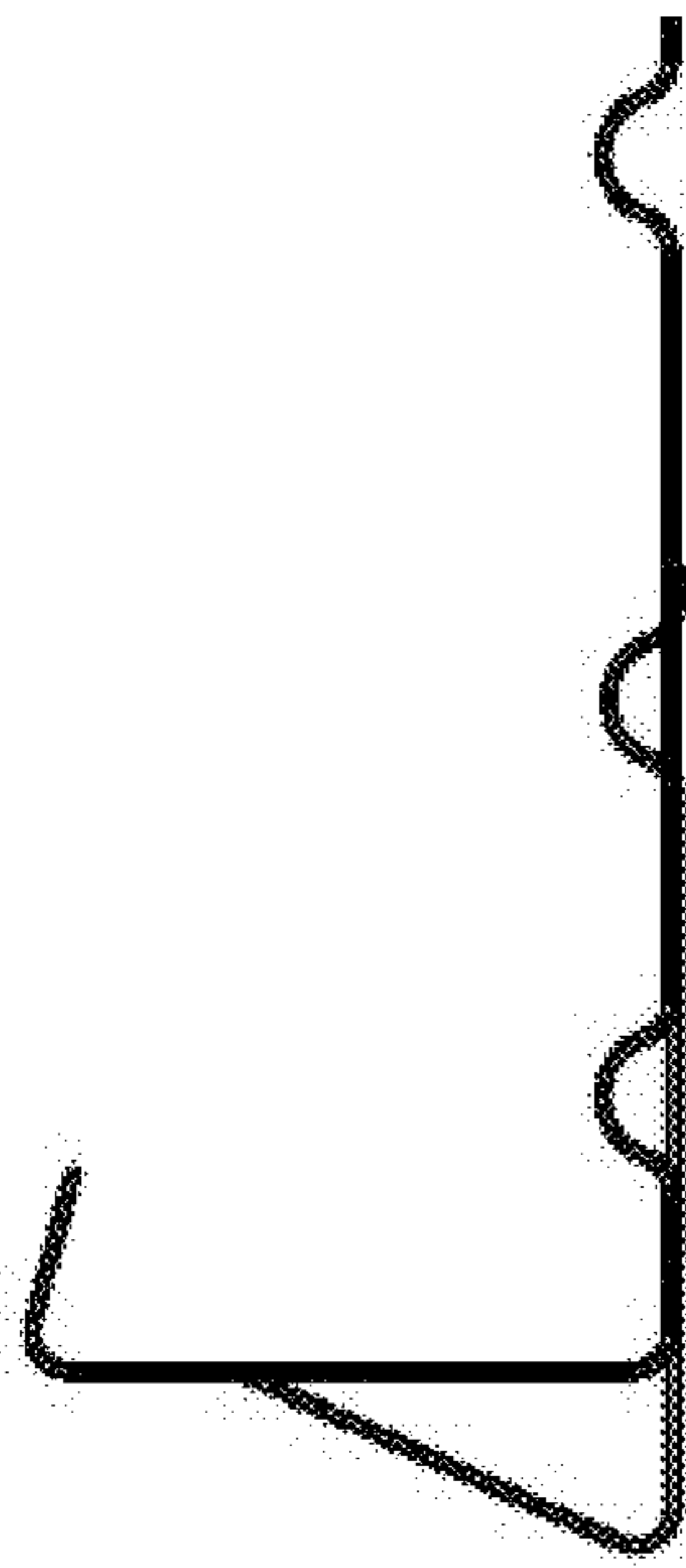


FIG. 6

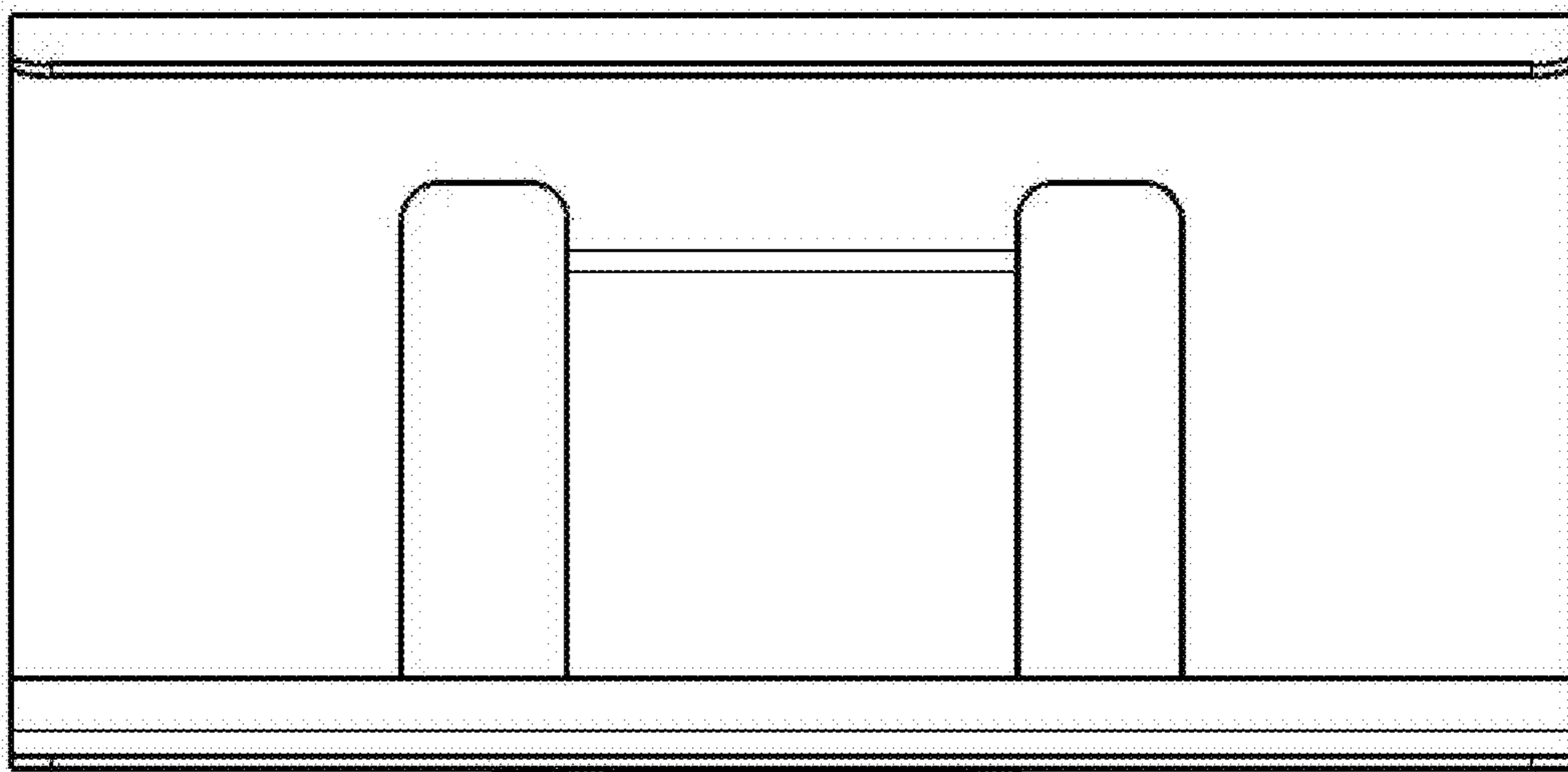


FIG. 7