



US00D823383S

(12) **United States Design Patent**  
**Miyauchi et al.**

(10) **Patent No.:** **US D823,383 S**  
(45) **Date of Patent:** **\*\* Jul. 17, 2018**

(54) **PRINTER**  
(71) Applicant: **SEIKO EPSON CORPORATION,**  
Tokyo (JP)  
(72) Inventors: **Hiroto Miyauchi,** Matsumoto (JP);  
**Wataru Suzuki,** Shiojiri (JP); **Emi**  
**Akahane,** Azumino (JP); **Hiroaki**  
**Fukumoto,** Shiojiri (JP)

(73) Assignee: **SEIKO EPSON CORPORATION,**  
Tokyo (JP)

(\*\*) Term: **15 Years**

(21) Appl. No.: **29/559,458**

(22) Filed: **Mar. 28, 2016**

(30) **Foreign Application Priority Data**

Oct. 14, 2015 (JP) ..... 2015-022624

(51) **LOC (11) Cl.** ..... **18-02**

(52) **U.S. Cl.**  
USPC ..... **D18/53**

(58) **Field of Classification Search**  
USPC ..... D18/53, 50, 54, 56, 59, 36, 38, 39, 40,  
D18/41, 45, 34.4, 34.5, 34.6; D14/301,  
D14/307  
CPC .... G06K 15/12; G06K 15/14; H04N 1/00204;  
H04N 1/00249; H04N 1/00278; B41J  
3/00; B41J 3/28; B41J 3/445; B41J 3/46  
See application file for complete search history.

(56) **References Cited**

**U.S. PATENT DOCUMENTS**

D408,848 S \* 4/1999 Flores ..... D18/53  
D445,824 S \* 7/2001 Yamano ..... D18/53  
D450,755 S \* 11/2001 Gimenez ..... D18/53  
D464,080 S \* 10/2002 Yamano ..... D18/53

6,752,553 B2 \* 6/2004 Fujioka ..... B41J 11/0005  
271/188  
D529,545 S \* 10/2006 Kimura ..... D18/53  
D561,823 S \* 2/2008 Morillo ..... D18/53  
D595,345 S \* 6/2009 Yagi ..... D18/53  
D595,346 S 6/2009 Yamano et al.  
D597,131 S \* 7/2009 Yamano ..... D18/53  
D619,165 S \* 7/2010 Sakurai ..... D18/53

(Continued)

**FOREIGN PATENT DOCUMENTS**

CN 303359045 \* 9/2015  
JP 1456852 S 12/2012

(Continued)

*Primary Examiner* — Bridget L Eland  
*Assistant Examiner* — Lauren McVey

(57) **CLAIM**

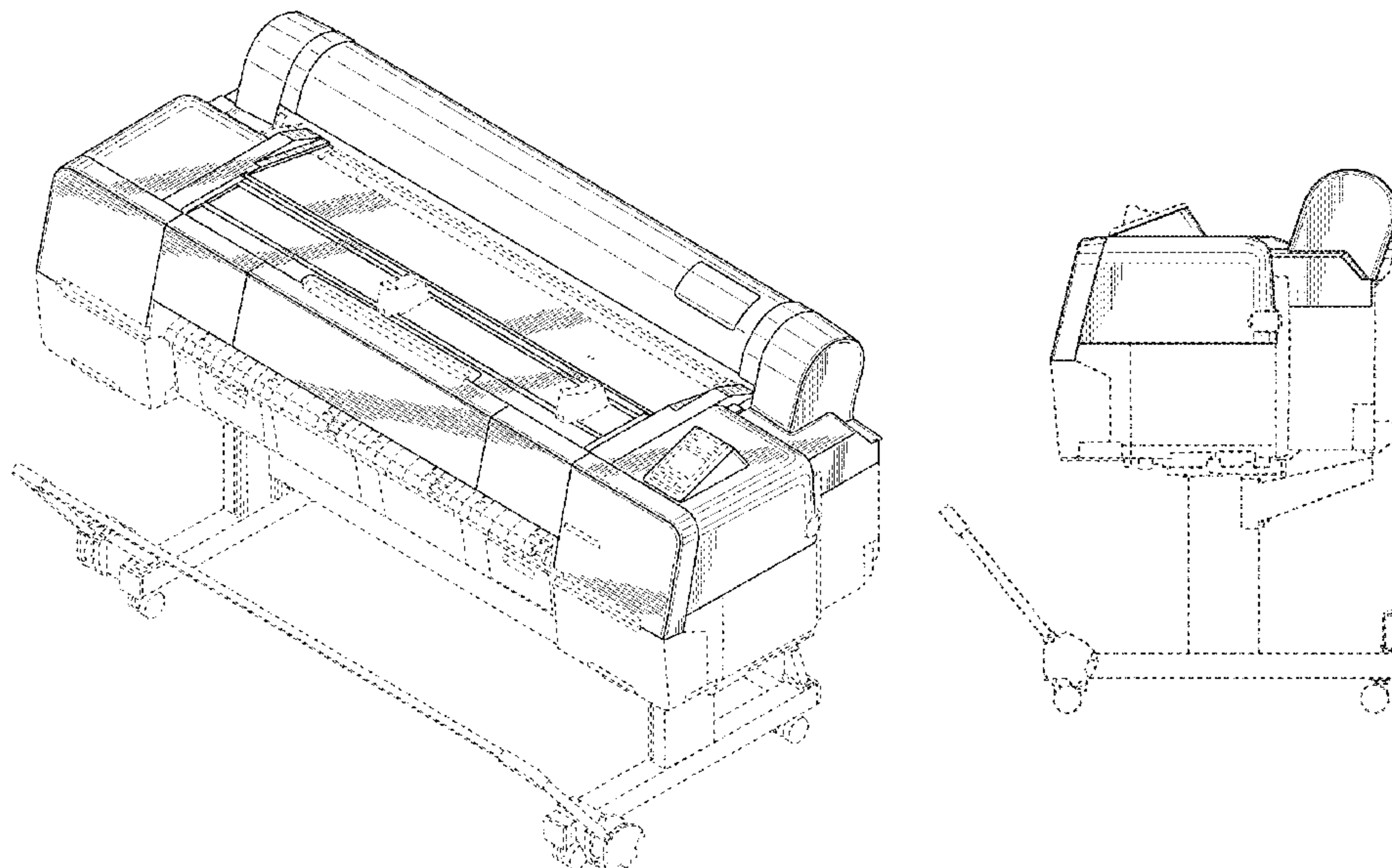
The ornamental design for a printer, as shown and described.

**DESCRIPTION**

FIG. 1 is a front, top, and right side perspective view of a printer showing our new design; FIG. 2 is a rear, top, and left side perspective view thereof; FIG. 3 is a front view thereof; FIG. 4 is a rear view thereof; FIG. 5 is a top plan view thereof; FIG. 6 is a bottom plan view thereof; FIG. 7 is a right side view thereof; and, FIG. 8 is a left side view thereof.

The broken lines that are immediately adjacent to the claim represent the bounds of the claimed design, while all other broken lines are directed to environment; the broken lines form no part of the claimed design. In addition, the unshaded surfaces that directly adjoin the claimed solid line edges and the unshaded inner surfaces that adjoin the claimed solid line edges form no part of the claimed design.

**1 Claim, 8 Drawing Sheets**



(56)

**References Cited**

U.S. PATENT DOCUMENTS

D747,766 S \* 1/2016 Cesar ..... D18/53  
D751,637 S \* 3/2016 Cesar ..... D18/53  
2014/0111587 A1\* 4/2014 Nakano ..... B41J 11/006  
347/104

FOREIGN PATENT DOCUMENTS

JP 1457011 S 12/2012  
JP 1457012 S 12/2012  
JP D1543556 \* 2/2016  
JP D1543557 \* 2/2016  
JP D1555838 \* 8/2016  
JP D1555929 \* 8/2016

\* cited by examiner

*FIG. 1*

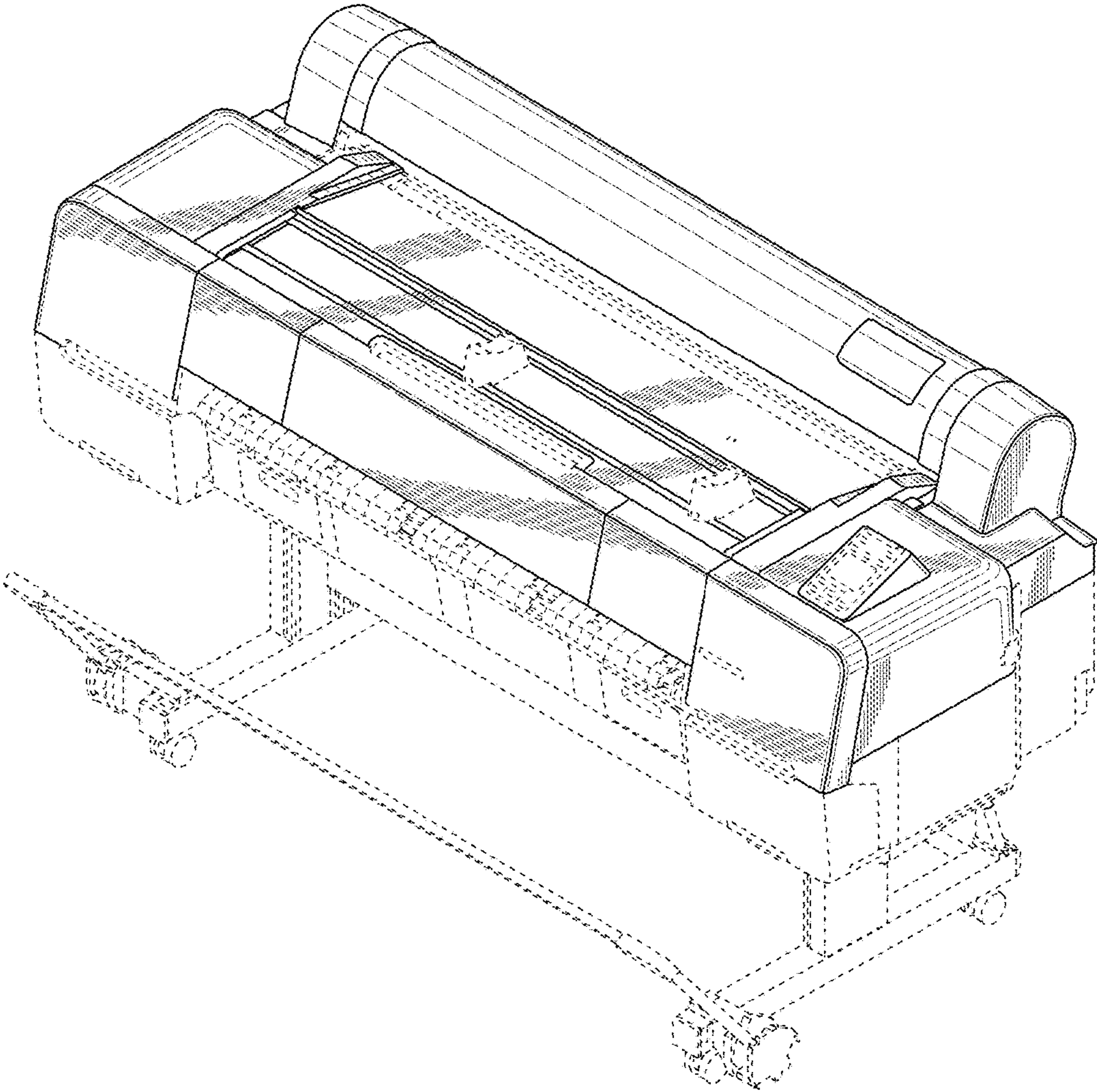
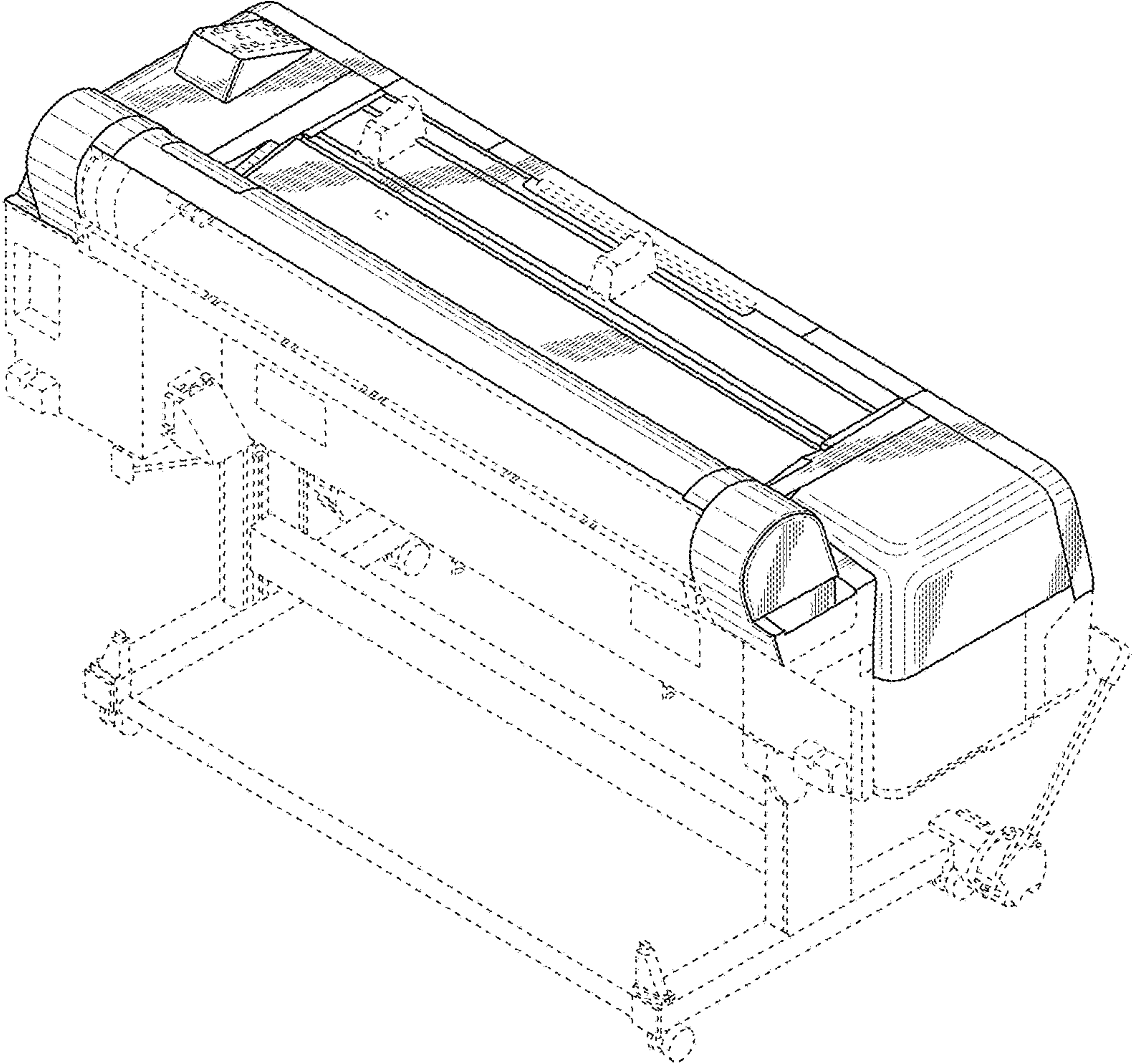
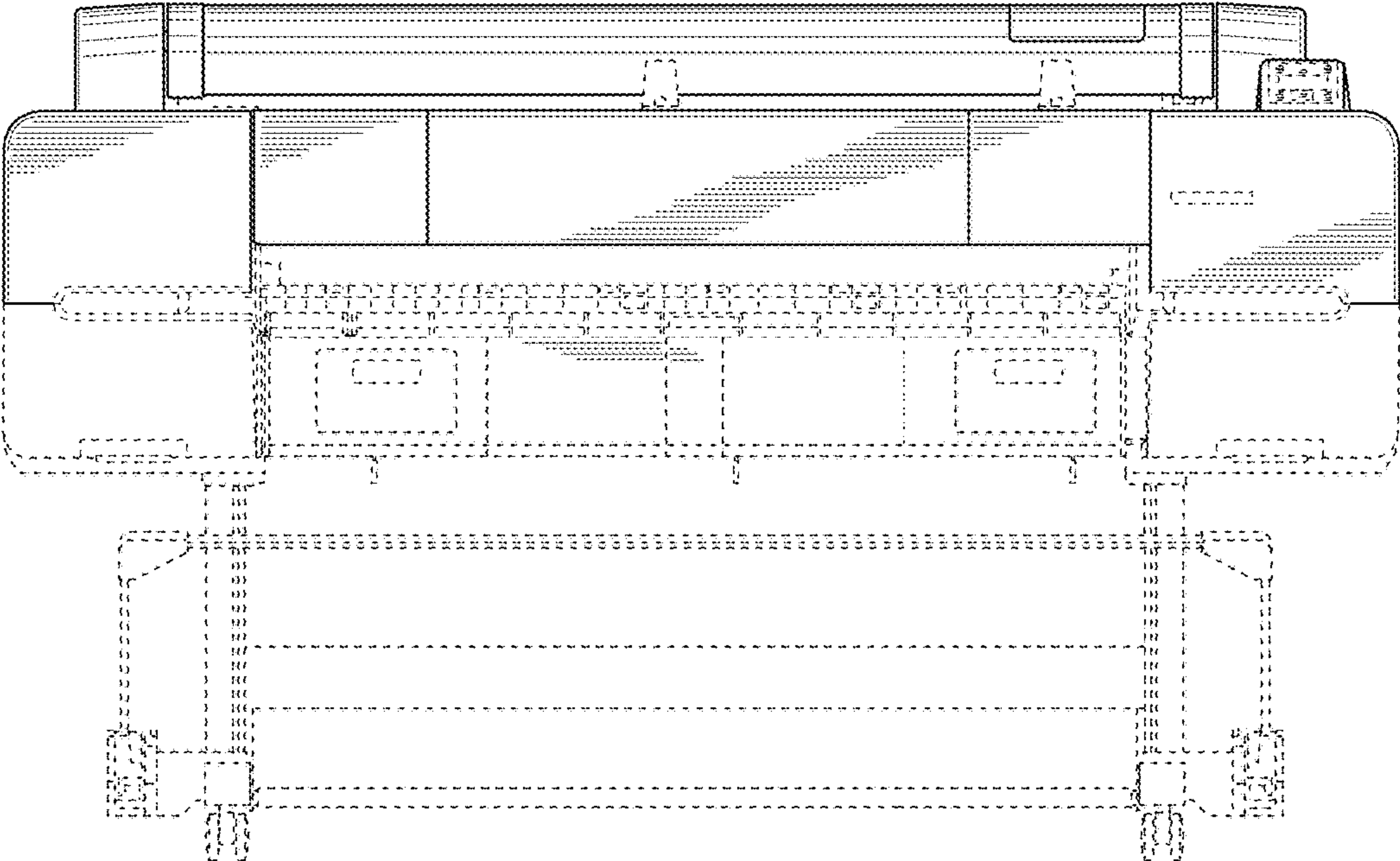




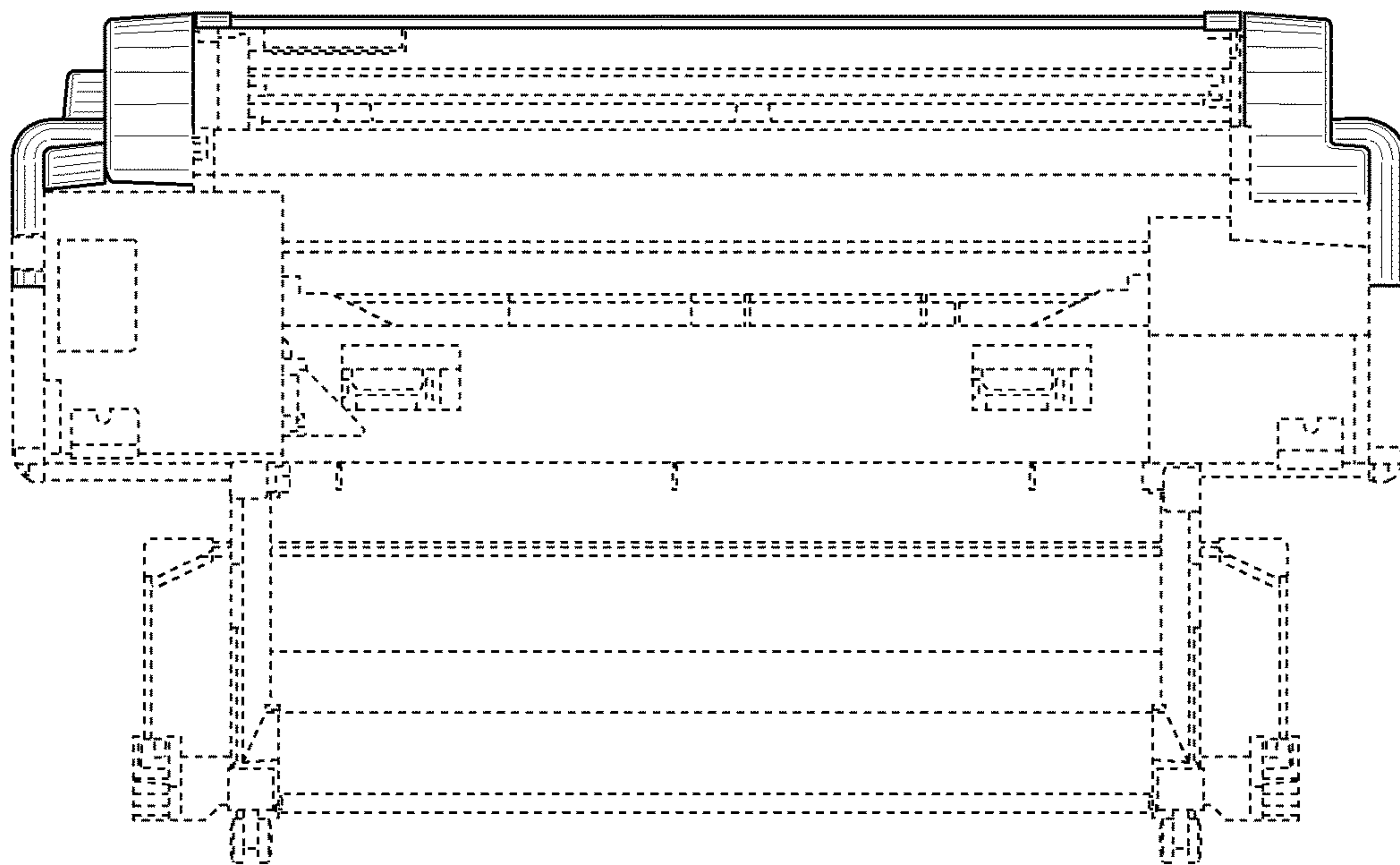
FIG. 2



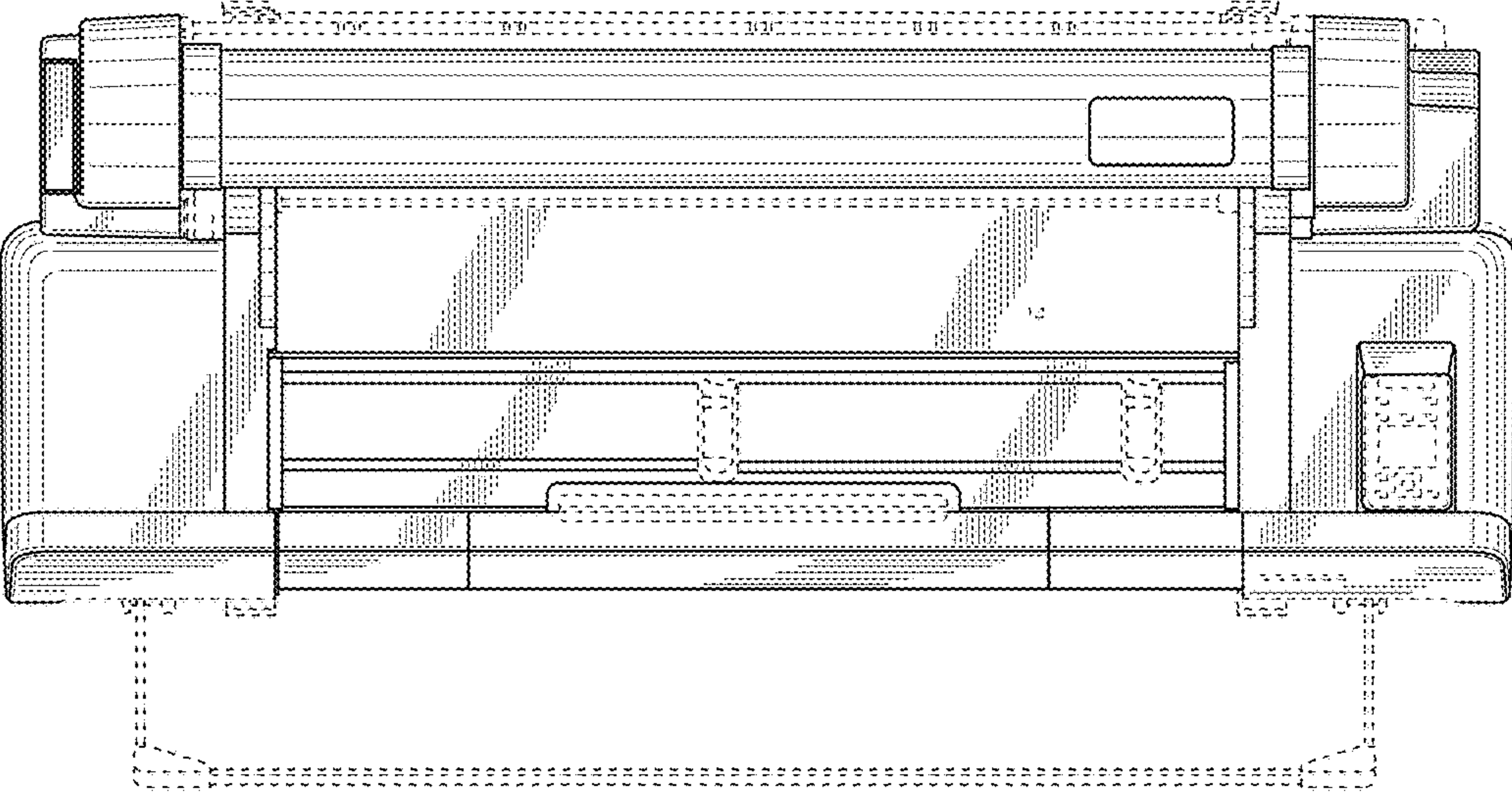
*FIG. 3*



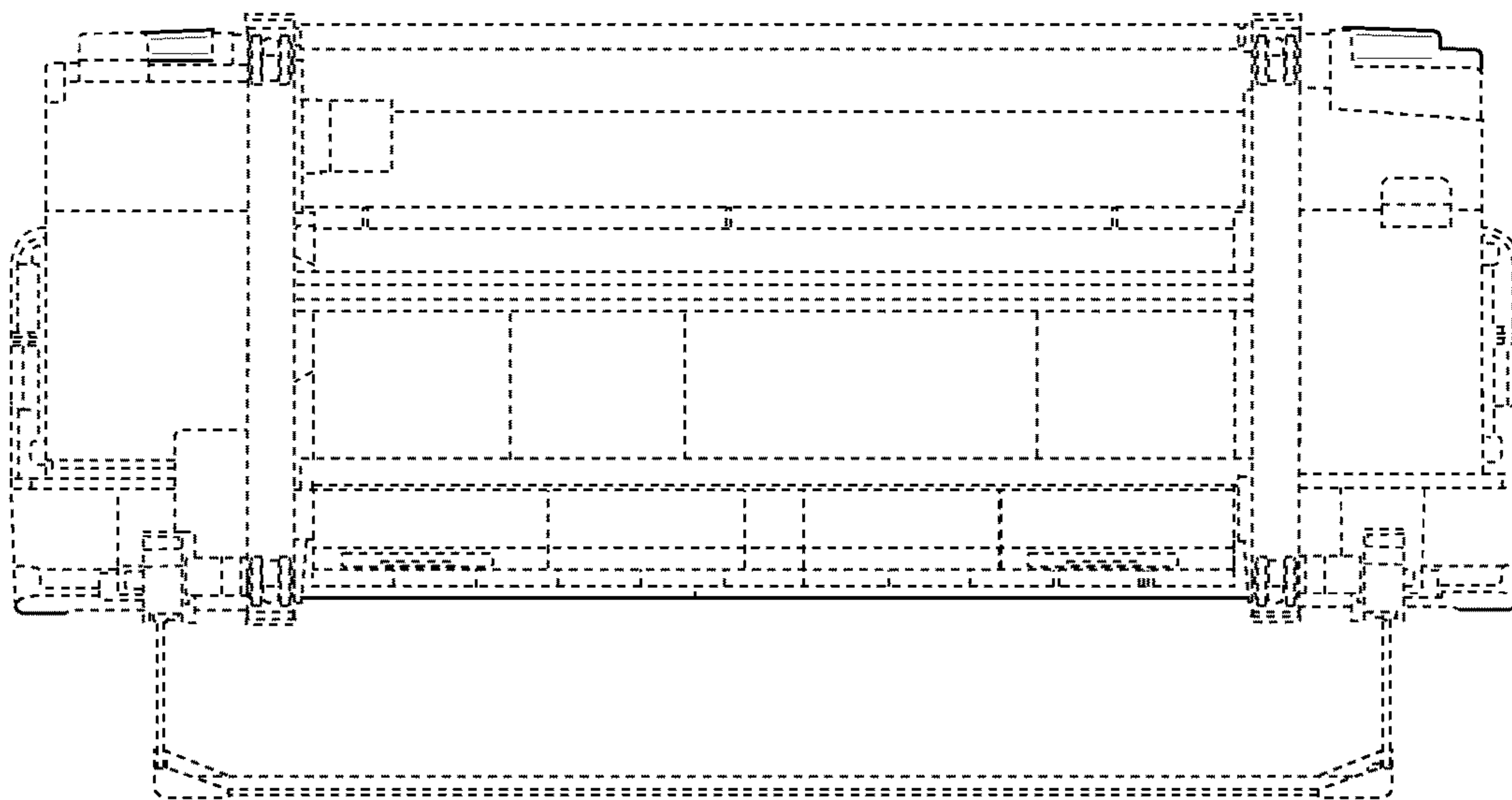
*FIG. 4*



*FIG. 5*

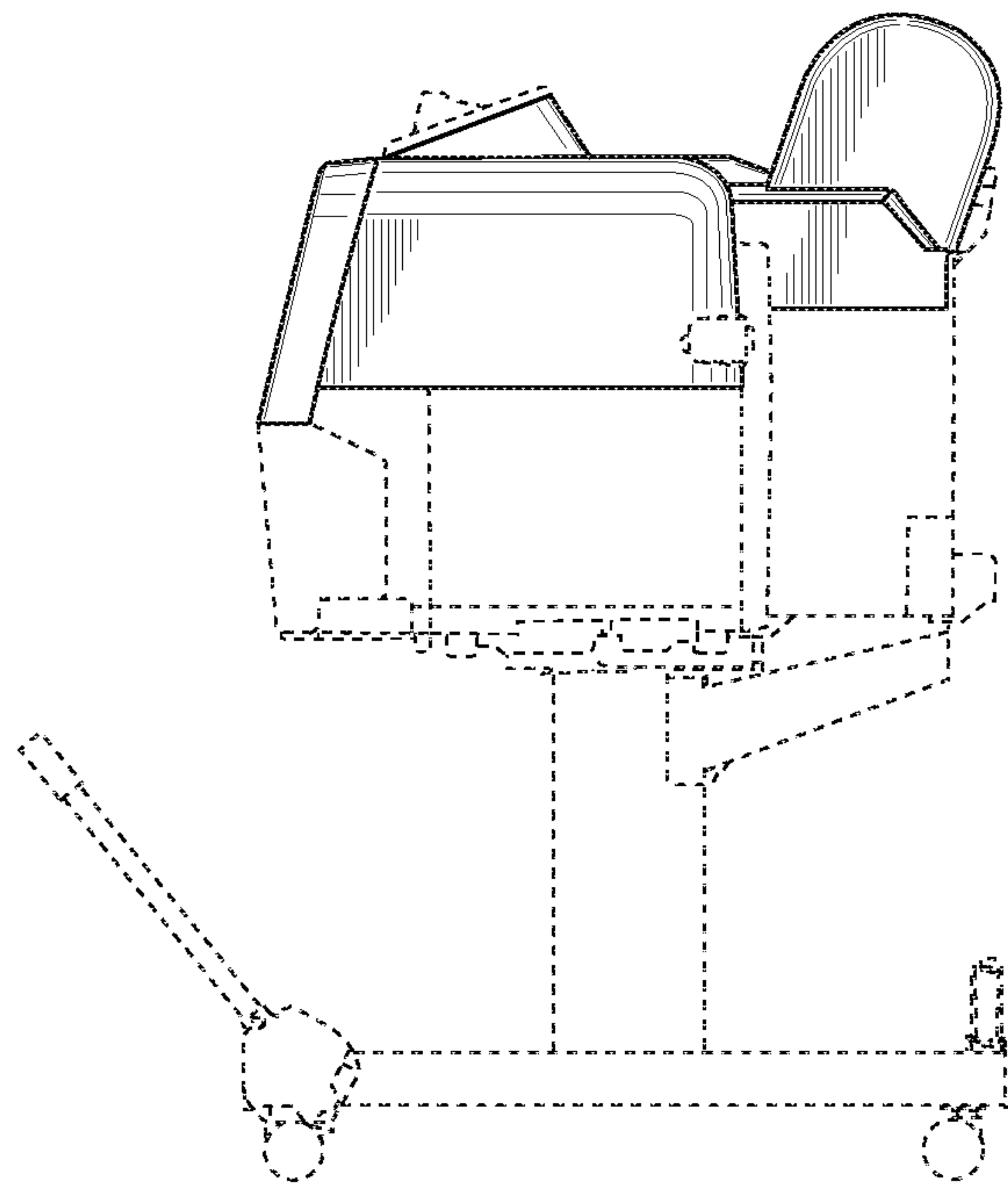


*FIG. 6*





**FIG. 7**



*FIG. 8*

