



US00D823381S

(12) **United States Design Patent**
Shao et al.

(10) **Patent No.:** **US D823,381 S**
(45) **Date of Patent:** **** Jul. 17, 2018**

- (54) **TONER CARTRIDGE**
- (71) Applicant: **Zhuhai Seine Technology CO., Ltd.**,
Zhuhai (CN)
- (72) Inventors: **Zhe Shao**, Zhuhai (CN); **Haifei Gong**,
Zhuhai (CN); **Chengjie Su**, Zhuhai
(CN)
- (73) Assignee: **ZHUHAI SEINE TECHNOLOGY
CO., LTD.**, Zhuhai (CN)
- (**) Term: **15 Years**
- (21) Appl. No.: **29/586,731**
- (22) Filed: **Dec. 6, 2016**
- (30) **Foreign Application Priority Data**
Jun. 23, 2016 (CN) 2016 3 0273179
- (51) **LOC (11) Cl.** **16-03**
- (52) **U.S. Cl.**
USPC **D18/43**
- (58) **Field of Classification Search**
USPC D14/471, 483, 484; D18/12, 18, 36, 40,
D18/43, 44, 56, 58, 99
CPC . B41J 2/17; B41J 2/1721; B41J 2/1572; B41J
2/1754; B41J 2/17503; B41J 2/17553;
B41J 2/17556; B41J 2/16547
See application file for complete search history.

- (56) **References Cited**
U.S. PATENT DOCUMENTS
D359,067 S * 6/1995 Komaki D18/40
D544,528 S * 6/2007 Kim D18/43
D554,696 S * 11/2007 Long D18/43

- D601,183 S * 9/2009 Ishikawa D18/43
- D647,956 S * 11/2011 Kweon D18/43
- D650,835 S * 12/2011 Han D18/43
- D666,665 S * 9/2012 Kweon D18/43
- D668,289 S * 10/2012 Yamaguchi D18/43
- D694,816 S * 12/2013 Fukamachi D18/43
- D723,614 S * 3/2015 Shimizu D18/43
- D763,347 S * 8/2016 Goto D18/43
- D772,336 S * 11/2016 Fan D18/43
- D791,862 S * 7/2017 Toba D18/43

* cited by examiner

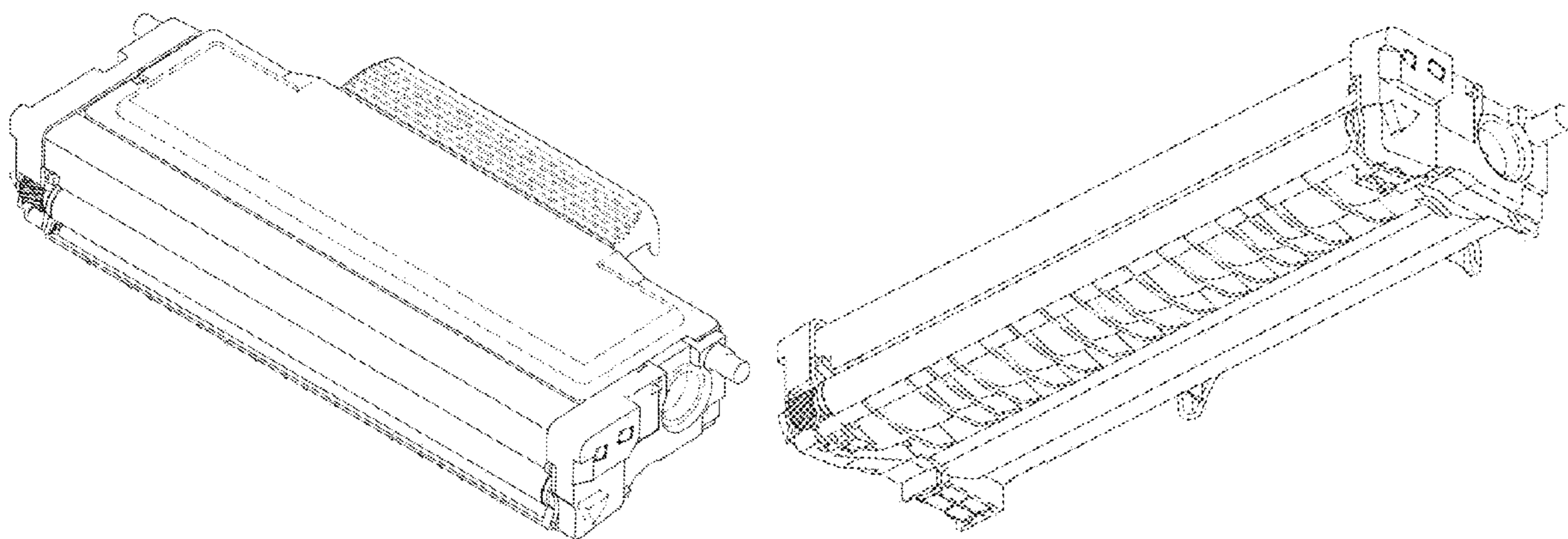
Primary Examiner — Kevin K Rudzinski
Assistant Examiner — Richard Kearney
(74) *Attorney, Agent, or Firm* — Anova Law Group,
PLLC

(57) **CLAIM**
The ornamental design for a toner cartridge, as shown and described.

DESCRIPTION

FIG. 1 is a perspective view of a toner cartridge showing my new design;
FIG. 2 is a front view thereof;
FIG. 3 is a top view thereof;
FIG. 4 is a left view thereof;
FIG. 5 is a right view thereof;
FIG. 6 is a rear view thereof; and,
FIG. 7 is a bottom view thereof; and,
FIG. 8 is a bottom perspective view of the toner cartridge.
The broken lines in the figures show portions of the toner cartridge that form no part of the claimed design and depict environmental subject matter and/or an unclaimed boundary line.

1 Claim, 3 Drawing Sheets



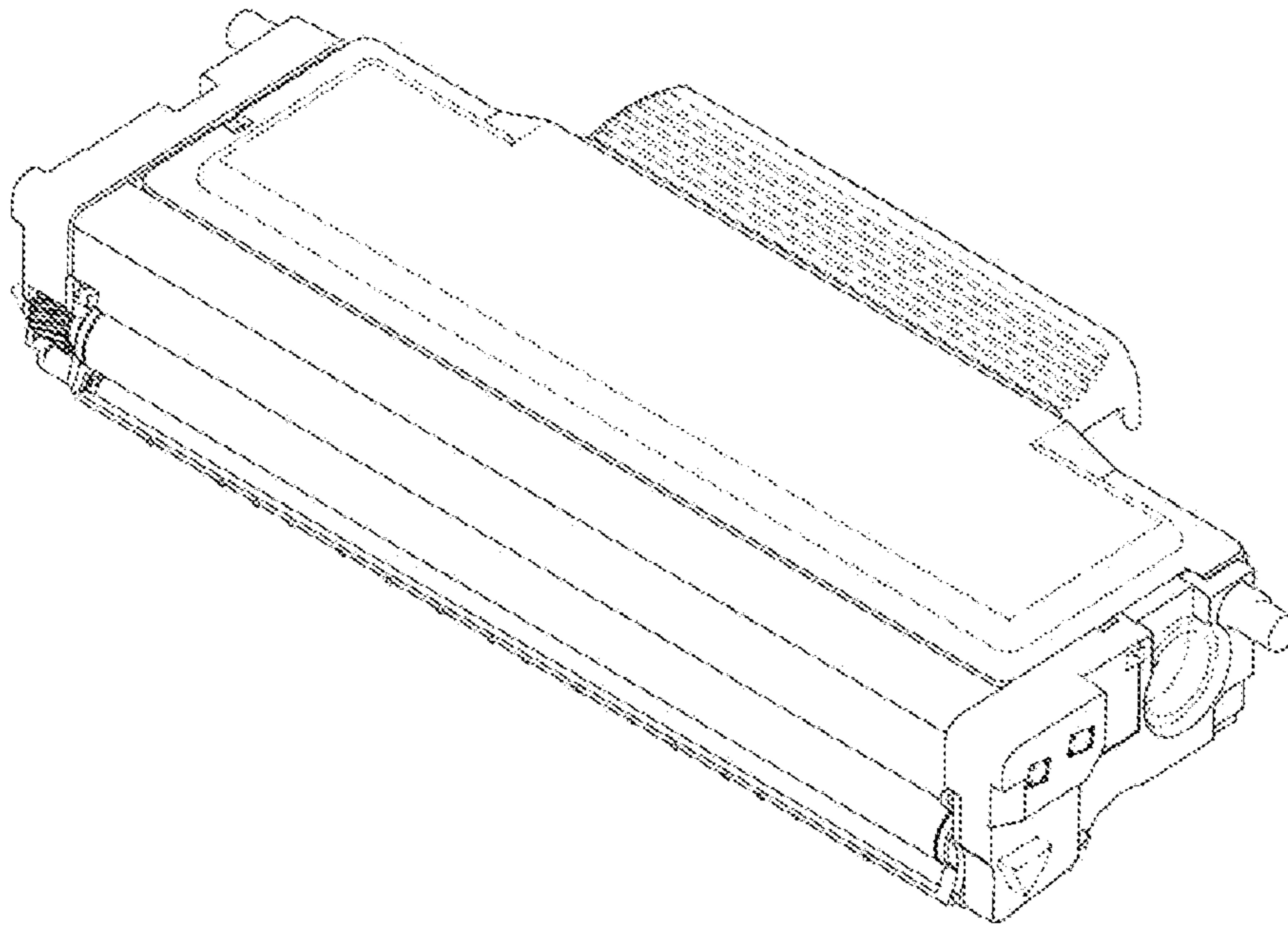


FIG. 1

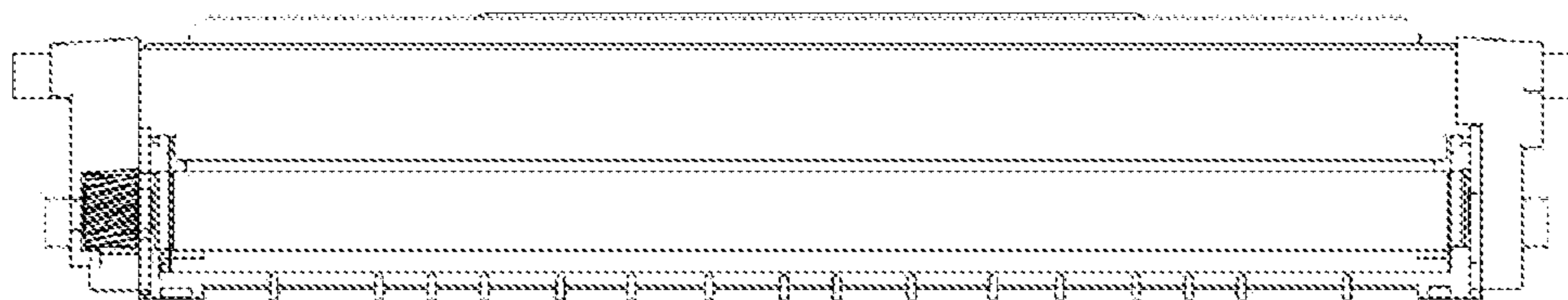


FIG. 2



FIG. 3

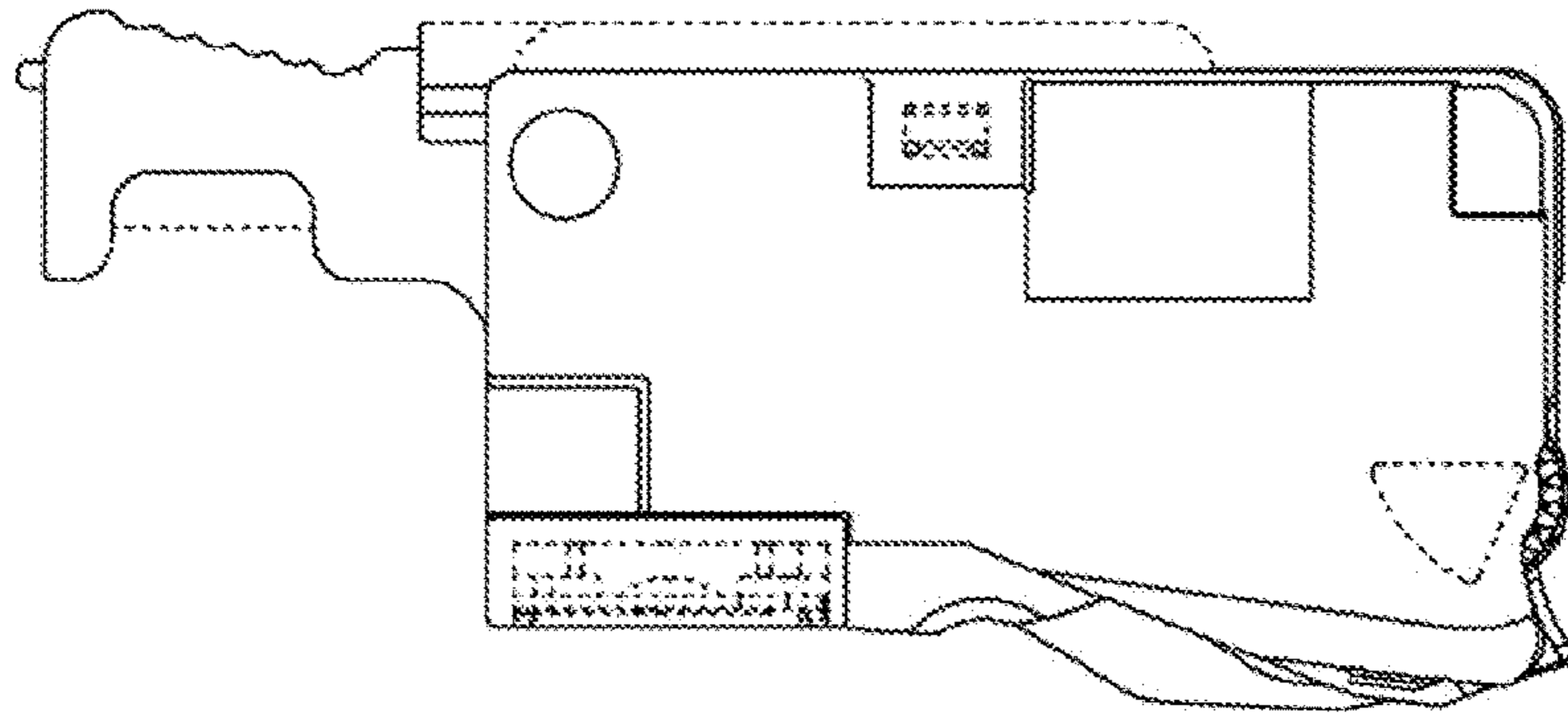


FIG. 4

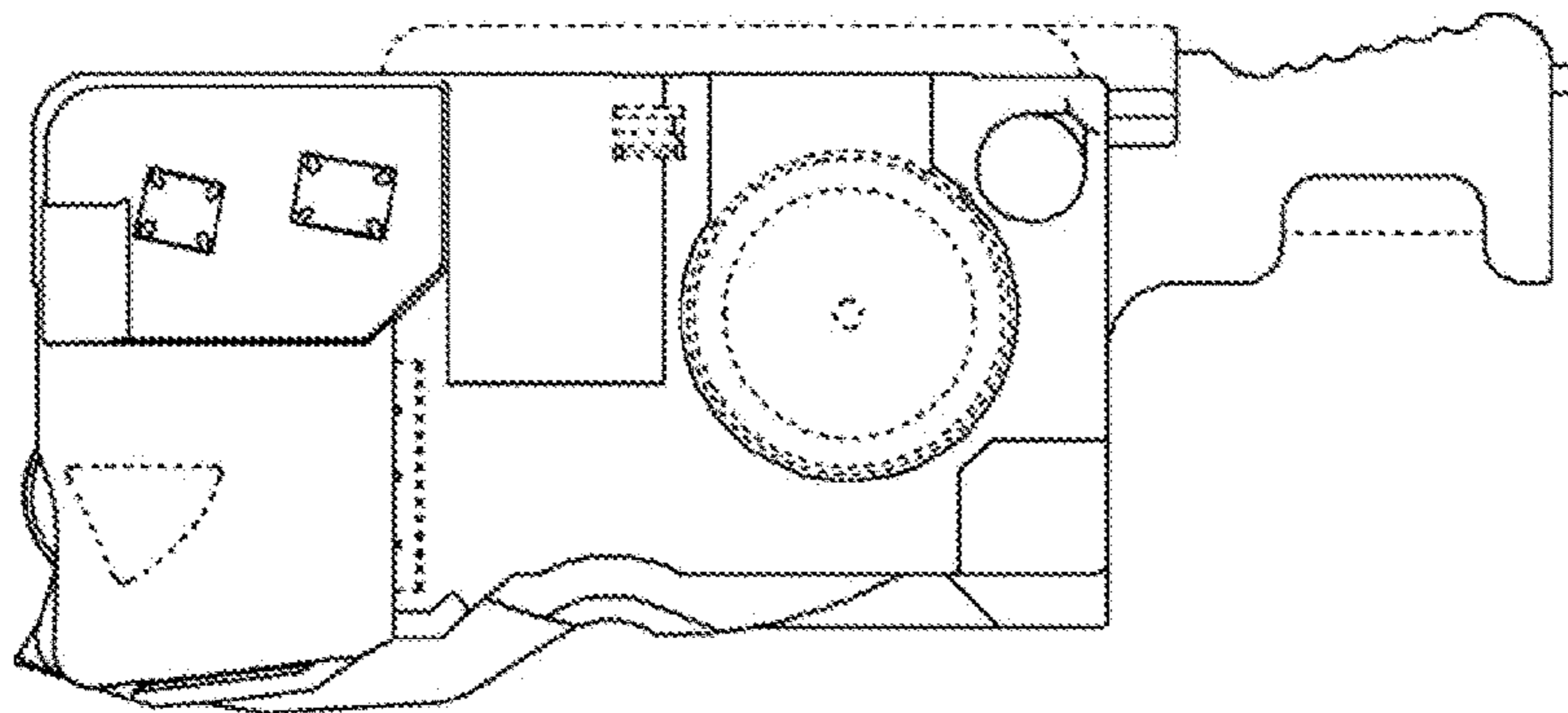


FIG. 5

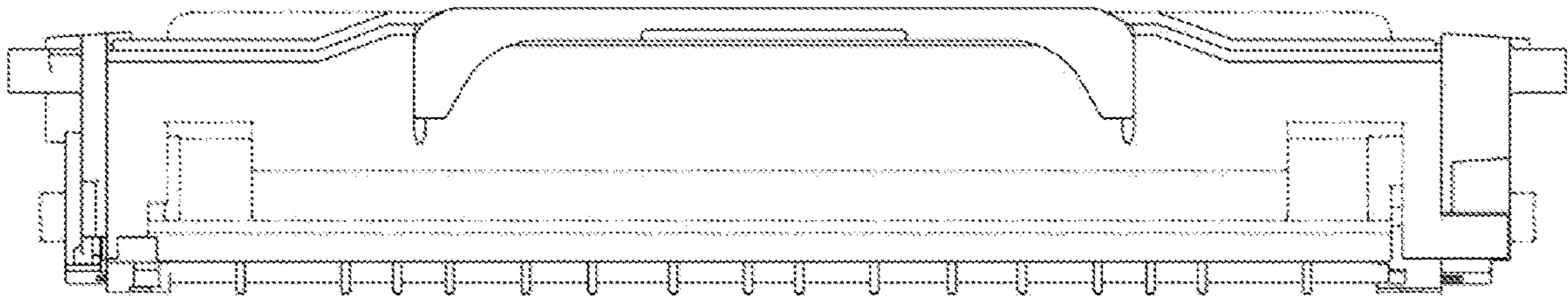


FIG. 6

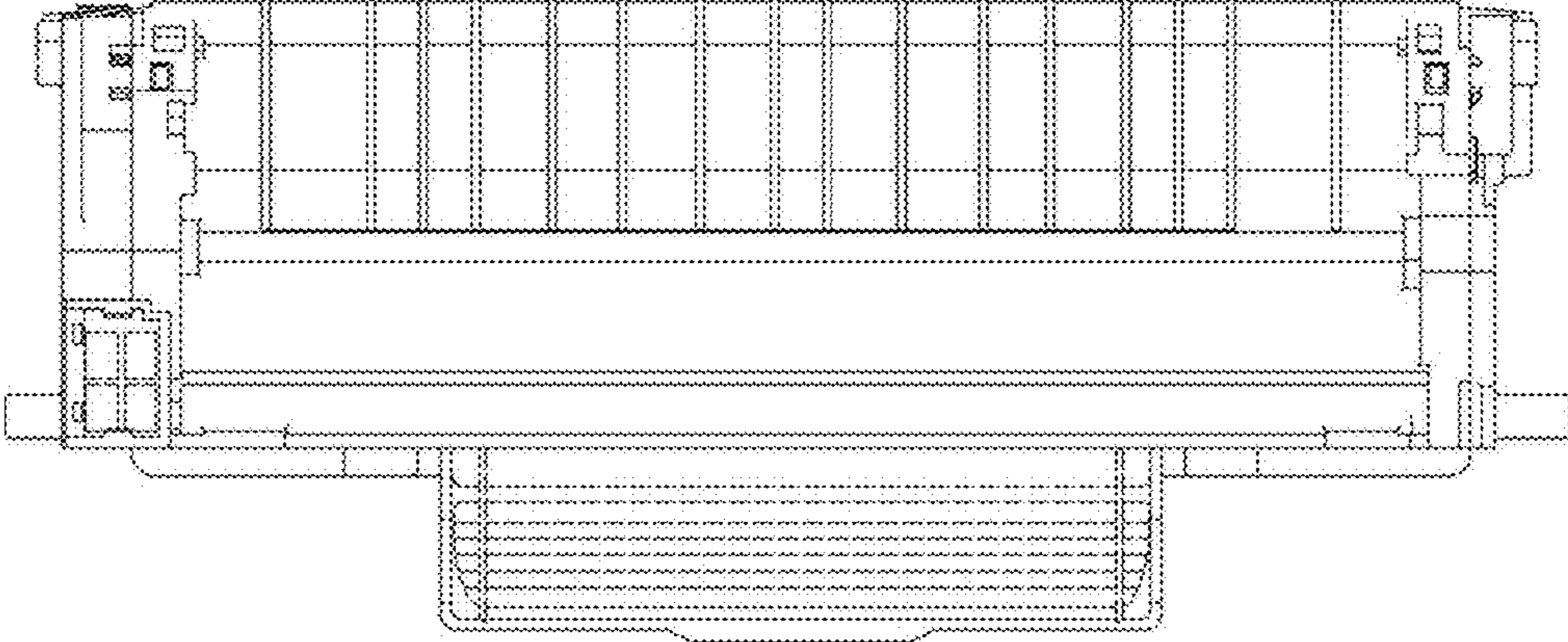


FIG. 7

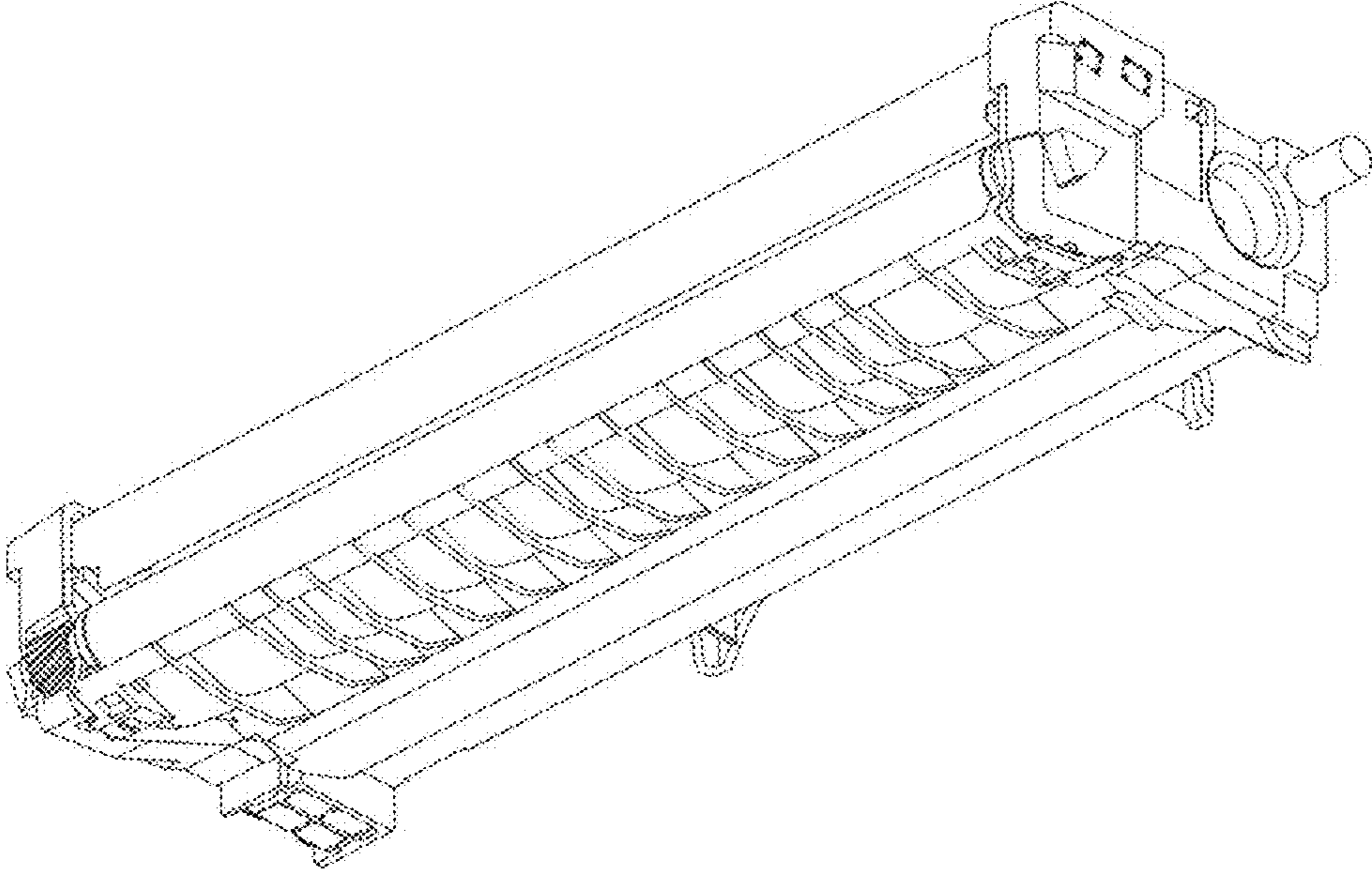


FIG. 8