



US00D823378S

(12) **United States Design Patent**
Riegler et al.

(10) **Patent No.:** **US D823,378 S**
(45) **Date of Patent:** **** Jul. 17, 2018**

(54) **HAND STAMP**

D387,800 S 12/1997 Daw
D389,175 S 1/1998 Imamaki
5,727,467 A 3/1998 Skopek
(Continued)

(71) Applicant: **Trodat GmbH**, Wels (AT)

(72) Inventors: **Konrad Riegler**, Eberstalzell (AT);
Markus Zehetner, Leonding (AT);
Helmut Lindner, Peuerbach (AT)

FOREIGN PATENT DOCUMENTS

AT 501318 11/2006
AT A50017/2014 1/2014
(Continued)

(73) Assignee: **Trodat GmbH**, Weis (AT)

(**) Term: **15 Years**

OTHER PUBLICATIONS

(21) Appl. No.: **29/548,144**

Amazon. <URL: <https://www.amazon.com/dp/B01MQDH576?psc=1>> Nov. 3, 2016. Self-inking stamp.*
(Continued)

(22) Filed: **Dec. 10, 2015**

(30) **Foreign Application Priority Data**

Jun. 10, 2015 (EM) 002716431-0001

(51) **LOC (11) Cl.** **19-02**

(52) **U.S. Cl.**
USPC **D18/15**

(58) **Field of Classification Search**
USPC D18/15, 16, 17, 18, 50; D19/65-68, 70,
D19/71
CPC . B41J 2/1752; B41J 3/36; B41J 29/023; B41J
2/17526; B41J 3/28; B41K 1/38; B41K
1/00; B41K 1/006; B41K 1/02; B41K
1/08; B41K 1/40; B41K 1/42; B41K
1/52; B41K 1/54; B41K 1/56; B41K
1/36; B23K 26/00; B23K 26/10; B41C
3/04; B41D 7/00
See application file for complete search history.

Primary Examiner — Bridget L. Eland
Assistant Examiner — Lauren McVey
(74) *Attorney, Agent, or Firm* — Meyertons, Hood,
Kivlin, Kowert & Goetzel, P.C.

(57) **CLAIM**

The ornamental design for a hand stamp, as shown and described.

DESCRIPTION

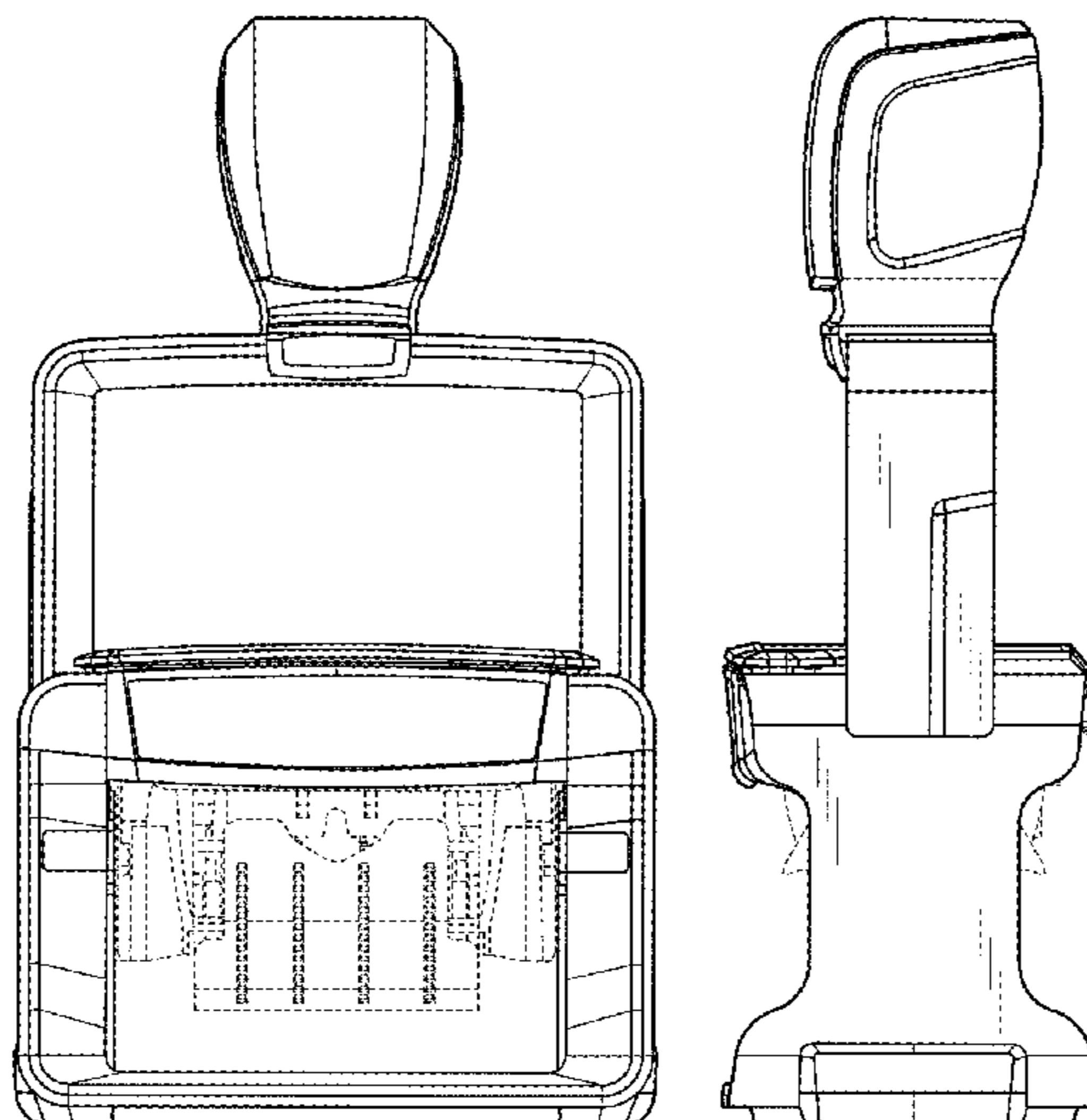
FIG. 1 is a front and right side perspective view of a hand stamp, showing our new design;
FIG. 2 is a rear and right side perspective view thereof;
FIG. 3 is a front view thereof;
FIG. 4 is a rear view thereof;
FIG. 5 is a right-side view thereof;
FIG. 6 is a left-side view thereof;
FIG. 7 is a top view thereof; and,
FIG. 8 is a bottom view thereof.
The broken lines in the views are included for the purpose of illustrating portions of the hand stamp that form no part of the claimed design. The wire frame lines shown throughout the views are intended to indicate surface contour.

(56) **References Cited**

U.S. PATENT DOCUMENTS

454,499 A 6/1891 Ryer
973,556 A 10/1910 Peterson
D331,418 S 12/1992 Winston
D359,504 S * 6/1995 Stefanski D18/15
D367,879 S 3/1996 Smith

1 Claim, 5 Drawing Sheets



(56)

References Cited

U.S. PATENT DOCUMENTS

5,768,992 A 6/1998 Daw et al.
 D400,566 S * 11/1998 Schreiberhuber D18/15
 5,850,787 A 12/1998 Daw
 D417,464 S * 12/1999 Skopek D18/15
 6,067,905 A * 5/2000 Faber B41K 1/40
 101/334
 D451,944 S * 12/2001 Lipkin D18/15
 6,732,649 B1 5/2004 Wall et al.
 6,813,999 B2 11/2004 Treml
 6,834,584 B1 12/2004 MacNeil
 6,892,638 B2 5/2005 Sculler
 7,069,852 B2 7/2006 Zindl
 D538,328 S * 3/2007 Faber D18/15
 D540,848 S * 4/2007 Faber D18/15
 D542,335 S * 5/2007 Faber D18/15
 D542,835 S * 5/2007 Faber D18/15
 7,389,727 B2 6/2008 Faber
 D588,187 S * 3/2009 Shih D18/15
 7,520,221 B2 * 4/2009 Ameshofer B41K 1/36
 101/104
 D618,274 S * 6/2010 Faber D18/15
 7,743,703 B2 6/2010 Ameshofer
 7,853,353 B1 12/2010 Hagen et al.
 7,877,909 B1 2/2011 Hagen et al.
 7,894,935 B1 2/2011 Hagen et al.
 D645,121 S 9/2011 Fukasawa
 8,050,796 B1 11/2011 Hagen et al.
 D668,714 S 10/2012 Zindl
 D677,322 S 3/2013 Zindl
 8,402,890 B2 * 3/2013 Faber B41K 1/40
 101/104
 8,408,126 B2 4/2013 Faber
 8,413,357 B1 4/2013 Hagen et al.
 9,227,450 B2 1/2016 Faber
 9,354,630 B2 5/2016 Sukhman
 9,475,326 B2 10/2016 Petersen
 D803,307 S 11/2017 Riegler et al.
 9,895,919 B2 2/2018 Zehetner et al.
 2001/0049669 A1 12/2001 Ito et al.
 2003/0150343 A1 8/2003 Koneczny
 2005/0066828 A1 3/2005 Wei
 2006/0000374 A1 1/2006 Faber
 2006/0162596 A1 7/2006 Faber
 2006/0185539 A1 8/2006 Faber
 2007/0272099 A1 11/2007 Pointl
 2008/0087180 A1 4/2008 Ameshofer
 2009/0255427 A1 10/2009 Faber
 2009/0301327 A1 12/2009 Nelson
 2010/0031835 A1 2/2010 Faber
 2010/0263561 A1 10/2010 Faber
 2011/0277647 A1 11/2011 Zindl
 2013/0291744 A1 11/2013 Anthony
 2015/0181033 A1 6/2015 Keller
 2016/0325381 A1 11/2016 Pinot et al.
 2016/0361934 A1 12/2016 Riegler et al.
 2016/0361935 A1 12/2016 Sillipp et al.
 2016/0361936 A1 12/2016 Zehetner et al.
 2016/0368297 A1 12/2016 Scharinger et al.

FOREIGN PATENT DOCUMENTS

AT A50473/2015 6/2015
 AT A50474/2015 6/2015
 AT A50475/2015 6/2015
 AT A50478/2015 6/2015
 AT 517318 * 12/2016
 AT 517321 * 12/2016
 AT 517322 * 12/2016
 AT 517328 * 12/2016
 CA 2717256 11/2011
 CN 301153224 * 3/2010
 CN 304057437 * 2/2017
 DE 202010007577 U 8/2010
 EM 002904854-0007 1/2007

EM 002716431-000 1 * 1/2017
 EP 0459969 12/1991
 EP 0804344 B1 9/1998
 EP 2384283 B1 11/2011
 EP 2591921 B1 5/2013
 EP 2594406 5/2013
 WO 1999064246 12/1999
 WO 2004085110 10/2004
 WO 2006029422 3/2006
 WO 2006079129 8/2006
 WO 2006079131 8/2006
 WO WO 2006079129 A1 * 8/2006 B41K 1/36
 WO WO 2006079131 A1 * 8/2006 B41K 1/40
 WO 2010085828 8/2010
 WO 2011056345 5/2011
 WO 2011151604 12/2011
 WO 2014/172738 A1 10/2014
 WO 2014172738 10/2014
 WO 2015103654 7/2015
 WO 2016/197172 12/2016
 WO 2016197170 12/2016
 WO 2016197171 12/2016
 WO 2016197173 12/2016
 WO WO 2016197170 A1 * 12/2016 B41K 1/04

OTHER PUBLICATIONS

Amazon. <URL: <http://a.co/3GHpXYC>> Feb. 12, 2013. Self-inking stamp.*
 Co-Pending Design U.S. Appl. No. 29/548,144 entitled, “Hand Stamp” to Riegler et al. filed Dec. 10, 2015.
 Co-Pending Design U.S. Appl. No. 29/567,664 entitled, “Hand Stamp” to Riegler et al. filed Jun. 10, 2016.
 Co-Pending Design U.S. Appl. No. 29/567,665 entitled, “Stamp Pad” to Riegler et al. filed Jun. 10, 2016.
 Co-Pending Design U.S. Appl. No. 29/567,666 entitled, “Hand Stamp” to Riegler et al., filed Jun. 10, 2016.
 Registered Community Design No. 002716431, registered Community design for hand stamp and pad, Jun. 10, 2015, 86 pages.
 Written Opinion for PCT/AT2015/050003 dated Sep. 11, 2015. (publication No. WO2015103654).
 International Search Report for PCT/AT2015/050003 dated Dec. 11, 2015. (publication No. WO2015103654).
 Registered Community Design No. 002904854, registered Community design for hand stamp and pad, Dec. 10, 2015, 23 pages.
 Communication for U.S. Appl. No. 29/567,665 dated Jan. 3, 2018.
 Final Office Action for U.S. Appl. No. 15/177,072 dated Oct. 11, 2017.
 Advisory Action for U.S. Appl. No. 15/177,072 dated Dec. 27, 2017.
 Final Office Action for U.S. Appl. No. 15/177,078 dated Oct. 20, 2017.
 Notice of Allowance for U.S. Appl. No. 15/177,100 dated Oct. 19, 2017.
 Final Office Action for U.S. Appl. No. 15/177,091 dated Oct. 5, 2017.
 Amazon. <URL: https://www.amazon.com/Replacement-TRODAT-Printy-I nkingu Stamps/dp/BOOFB70JEO/ref=sr_1_1?ie=UTF8&qid=1496770907&sr=8-1&keywords=Replacement+Ink+Pad> Feb. 11, 2012. Replacement Ink Pad.
 Universal Laser Systems, Inc., “The Turnkey Laser Personalization and Identification Program,” 2000.
 Notice of Allowance for U.S. Appl. No. 29/567,664 dated Jul. 12, 2017.
 Non Final Office Action for U.S. Appl. No. 29/567,665 dated Jun. 29, 2017.
 Non Final Office Action for U.S. Appl. No. 29/567,666 dated Jun. 30, 2017.
 Non Final Office Action for U.S. Appl. No. 15/177,072 dated Mar. 27, 2017.
 Non Final Office Action for U.S. Appl. No. 15/177,078 dated Mar. 31, 2017.

(56)

References Cited

OTHER PUBLICATIONS

Non Final Office Action for U.S. Appl. No. 15/177,091 dated Mar. 31, 2017.

Notice of Allowance for U.S. Appl. No. 29/548,144 dated Mar. 19, 2018.

Notice of Allowance for U.S. Appl. No. 29/567,665 dated Mar. 19, 2018.

Final Office Action for U.S. Appl. No. 29/567,666 dated Feb. 26, 2018.

Advisory Action for U.S. Appl. No. 15/177,078 dated Feb. 21, 2018.

Advisory Office Action for U.S. Appl. No. 15/177,091 dated Jan. 19, 2018.

Non Final Office Action for U.S. Appl. No. 15/177,091 dated Mar. 27, 2018.

* cited by examiner

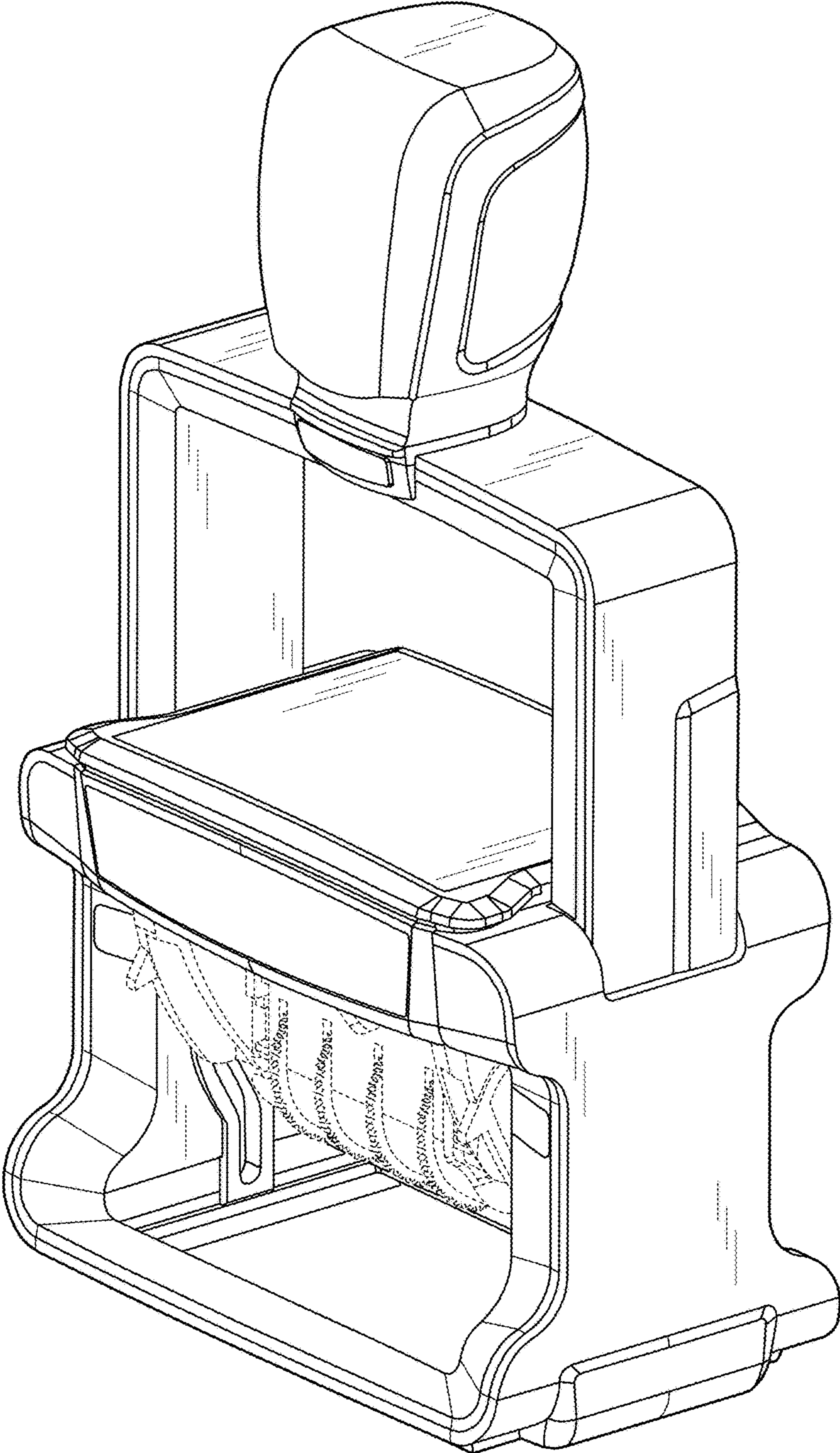


FIG. 1

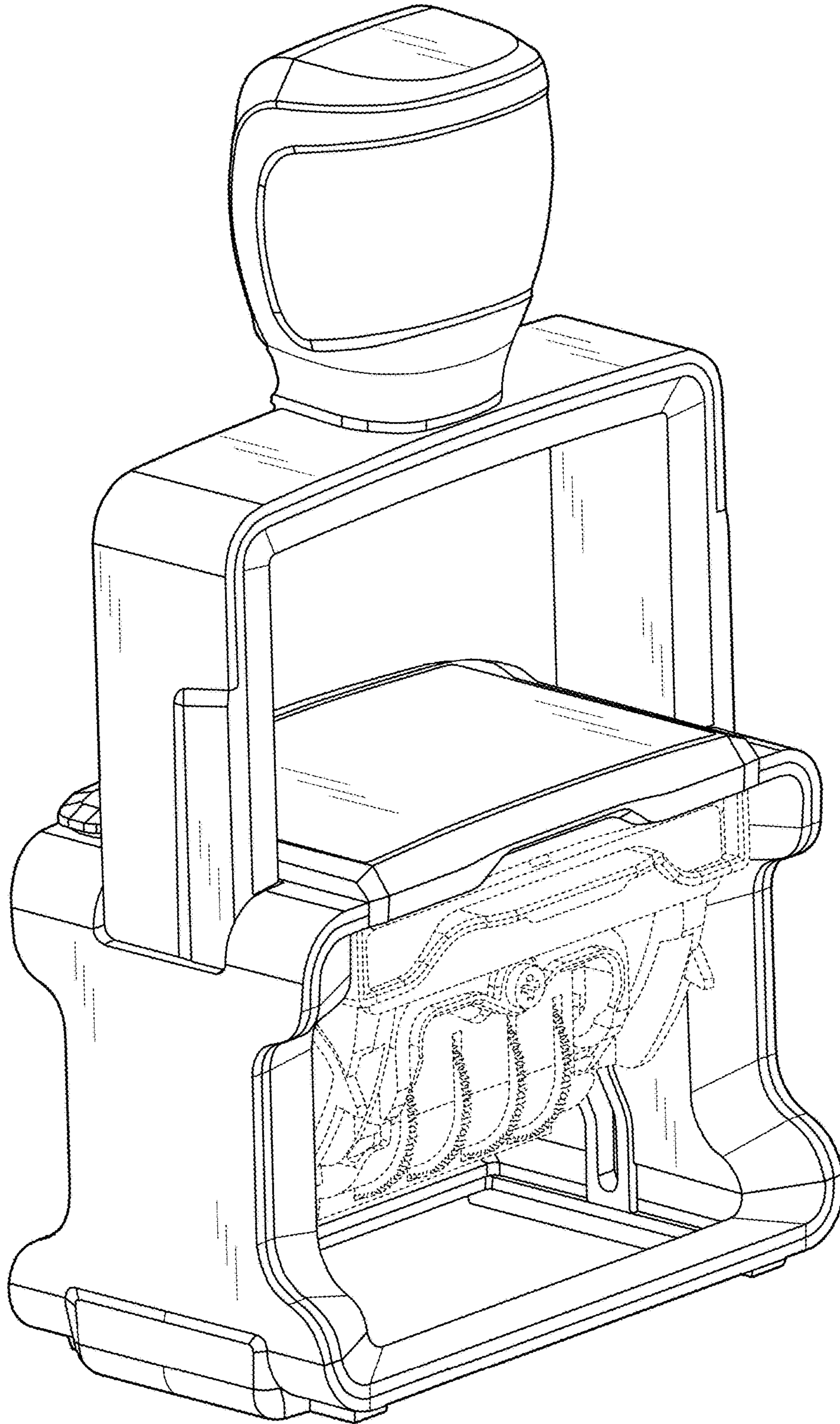


FIG. 2

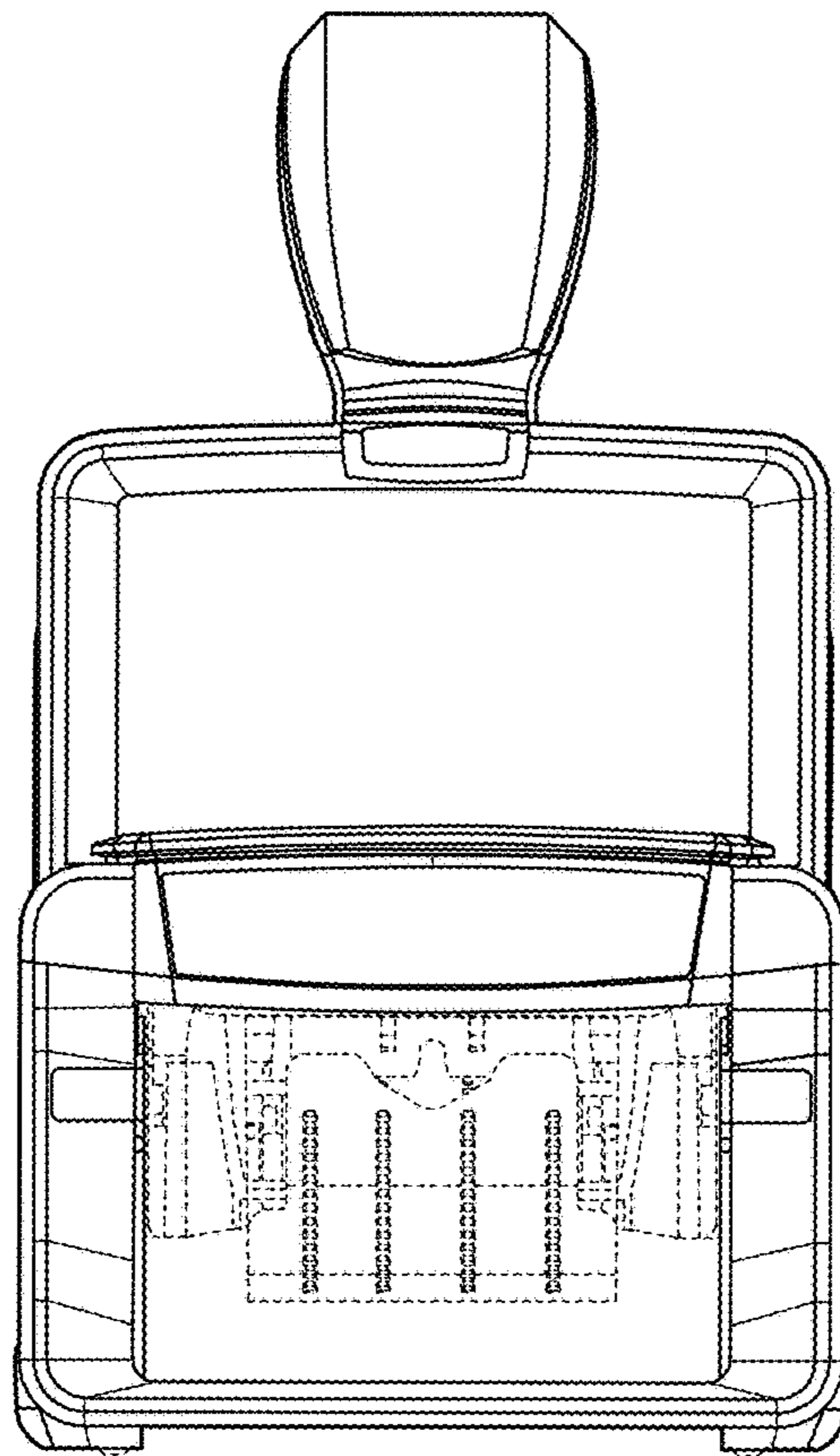


FIG. 3

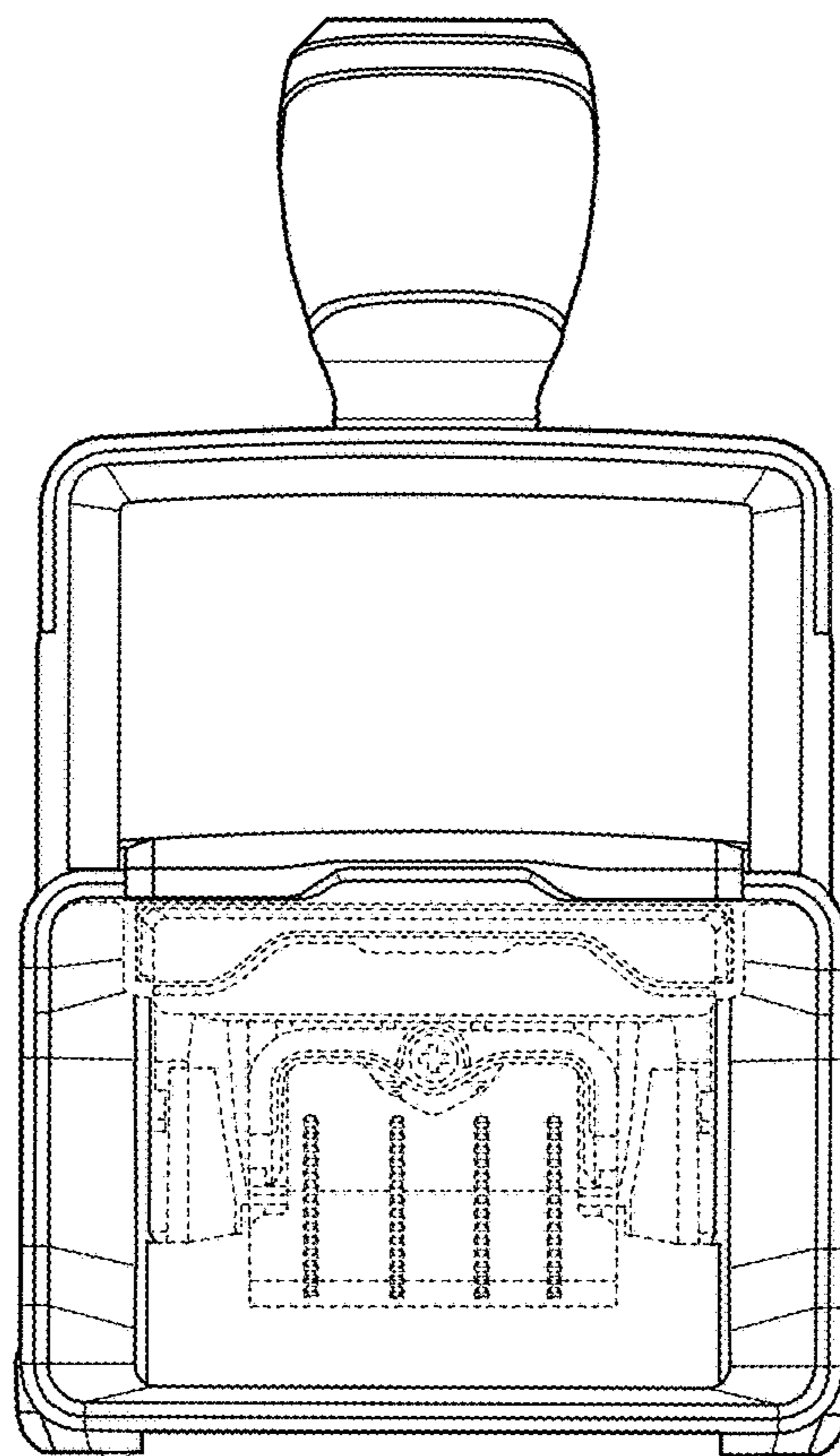


FIG. 4

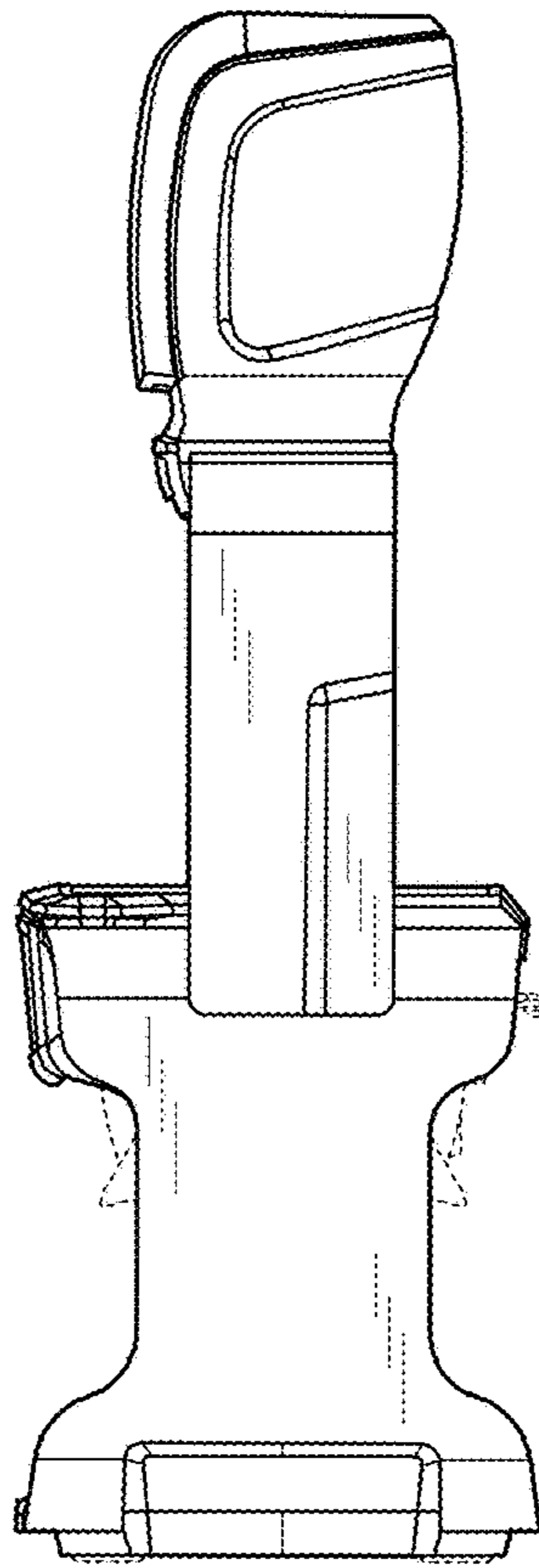


FIG. 5

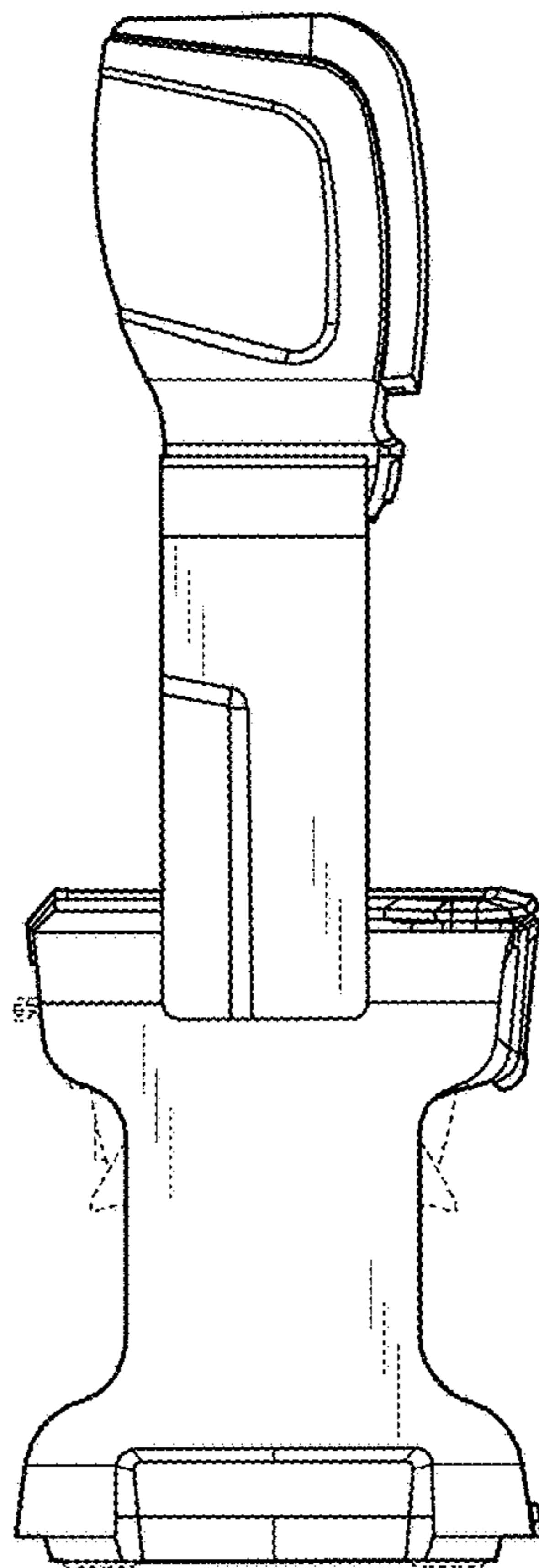


FIG. 6

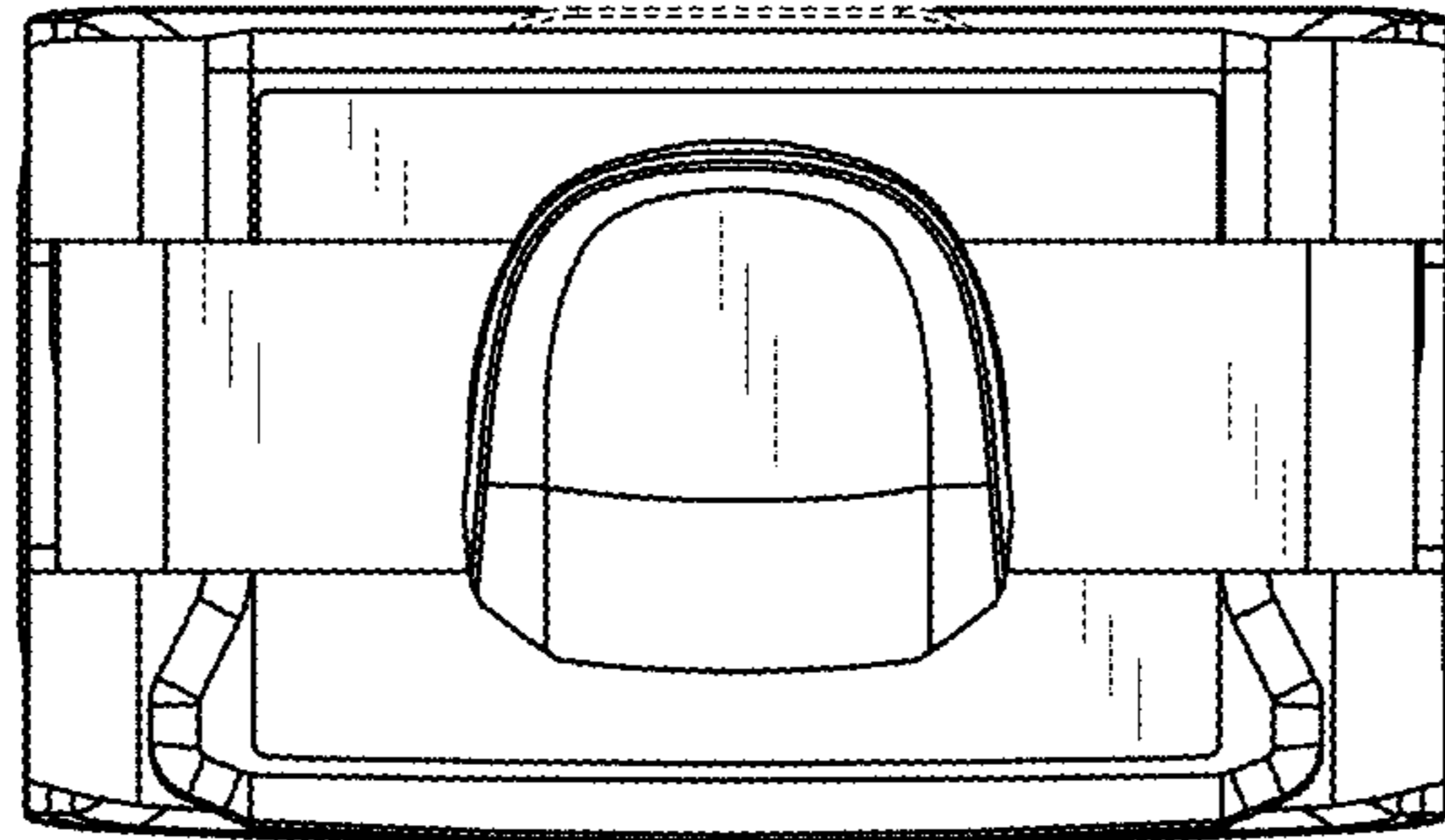


FIG. 7

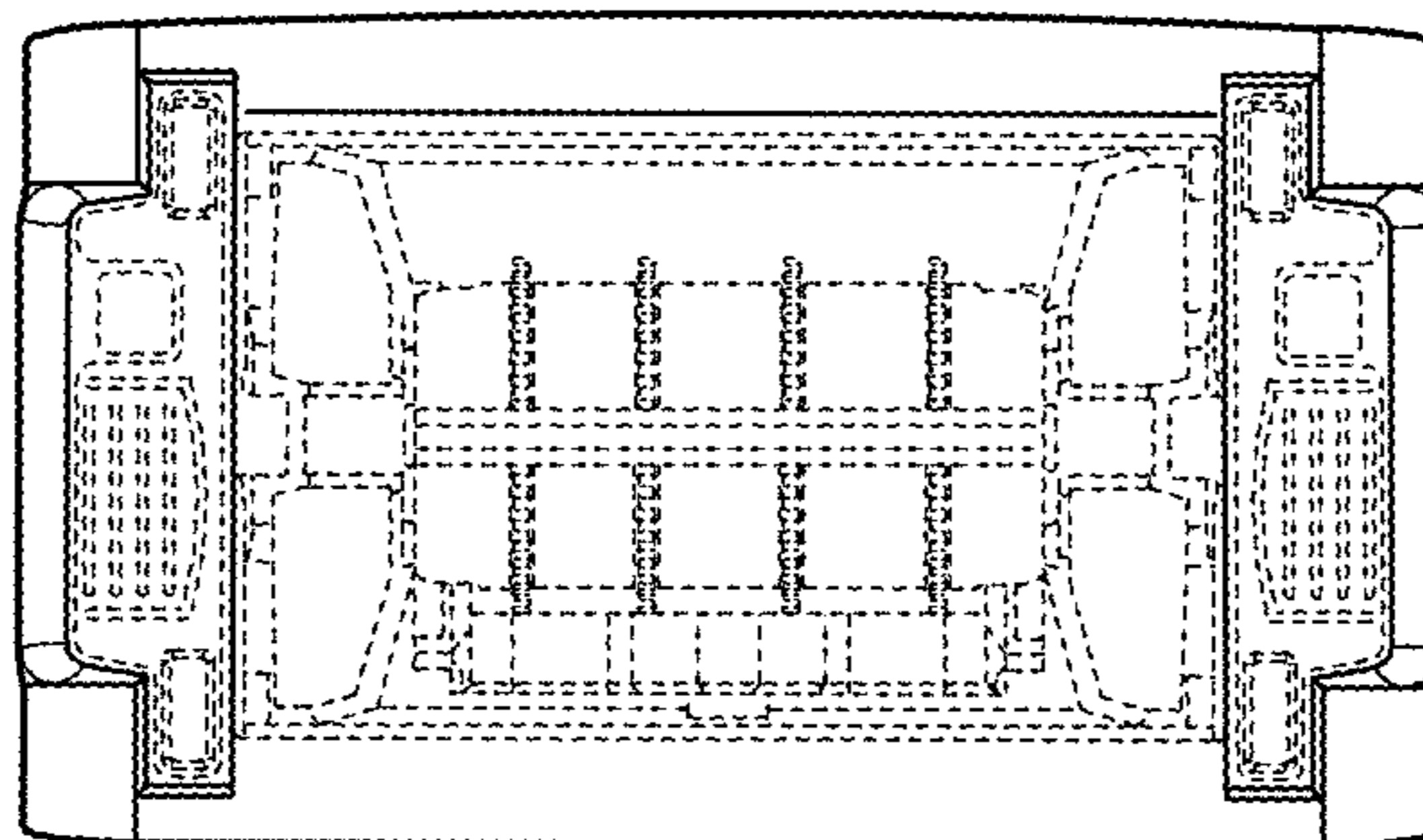


FIG. 8