



US00D823375S

(12) **United States Design Patent**
Tatsumi

(10) **Patent No.:** **US D823,375 S**
(45) **Date of Patent:** **** Jul. 17, 2018**

(54) **WIND INSTRUMENT**

(71) Applicant: **YAMAHA CORPORATION**,
Hamamatsu-shi, Shizuoka (JP)
(72) Inventor: **Keizo Tatsumi**, Hamamatsu (JP)
(73) Assignee: **YAMAHA CORPORATION**,
Hamamatsu-shi, Shizuoka (JP)
(**) Term: **15 Years**

(21) Appl. No.: **29/581,432**

(22) Filed: **Oct. 19, 2016**

(51) **LOC (11) Cl.** **17-02**

(52) **U.S. Cl.**
USPC **D17/13**

(58) **Field of Classification Search**
USPC D17/10, 13, 99; D21/405, 406, 409, 411;
D23/259, 262, 263, 266
CPC G10D 7/00; G10D 7/023; G10D 7/026;
G10D 7/066; G10D 7/063; G10D 9/00;
G10D 9/02; G10D 9/023; G10D 9/04;
G10D 9/043; G10D 9/046
See application file for complete search history.

(56) **References Cited**

U.S. PATENT DOCUMENTS

488,656 A * 12/1892 Lassig G10D 7/066
84/382
920,471 A * 5/1909 Jenner G10D 7/026
84/384
2,821,102 A * 1/1958 Leblanc G10D 7/00
84/382
3,224,315 A * 12/1965 Guinness G10D 7/023
84/380 C
3,958,484 A * 5/1976 Nelson G10D 9/043
84/380 R
D251,926 S * 5/1979 Satten D17/11
5,300,729 A * 4/1994 Tokunaga G10H 1/02
84/619
D396,525 S * 7/1998 Larimer D23/263

(Continued)

FOREIGN PATENT DOCUMENTS

AT 505707 A1 * 3/2009 G10D 7/063
EP 0509963 A2 * 10/1992 G10D 7/066

(Continued)

OTHER PUBLICATIONS

Sax on the Web, Attach Sax Mouthpiece to a Boehm Flute, posted on Aug. 29, 2010, [online], [site visited on Dec. 18, 2017]. Available from Internet, URL: <https://forum.saxontheweb.net/showthread.php?143414-Attach-Sax-Mouthpiece-to-a-Boehm-Flute> (Year: 2010).*

(Continued)

Primary Examiner — Sheryl Lane
Assistant Examiner — Samantha N Wood
(74) *Attorney, Agent, or Firm* — Sughrue Mion, PLLC

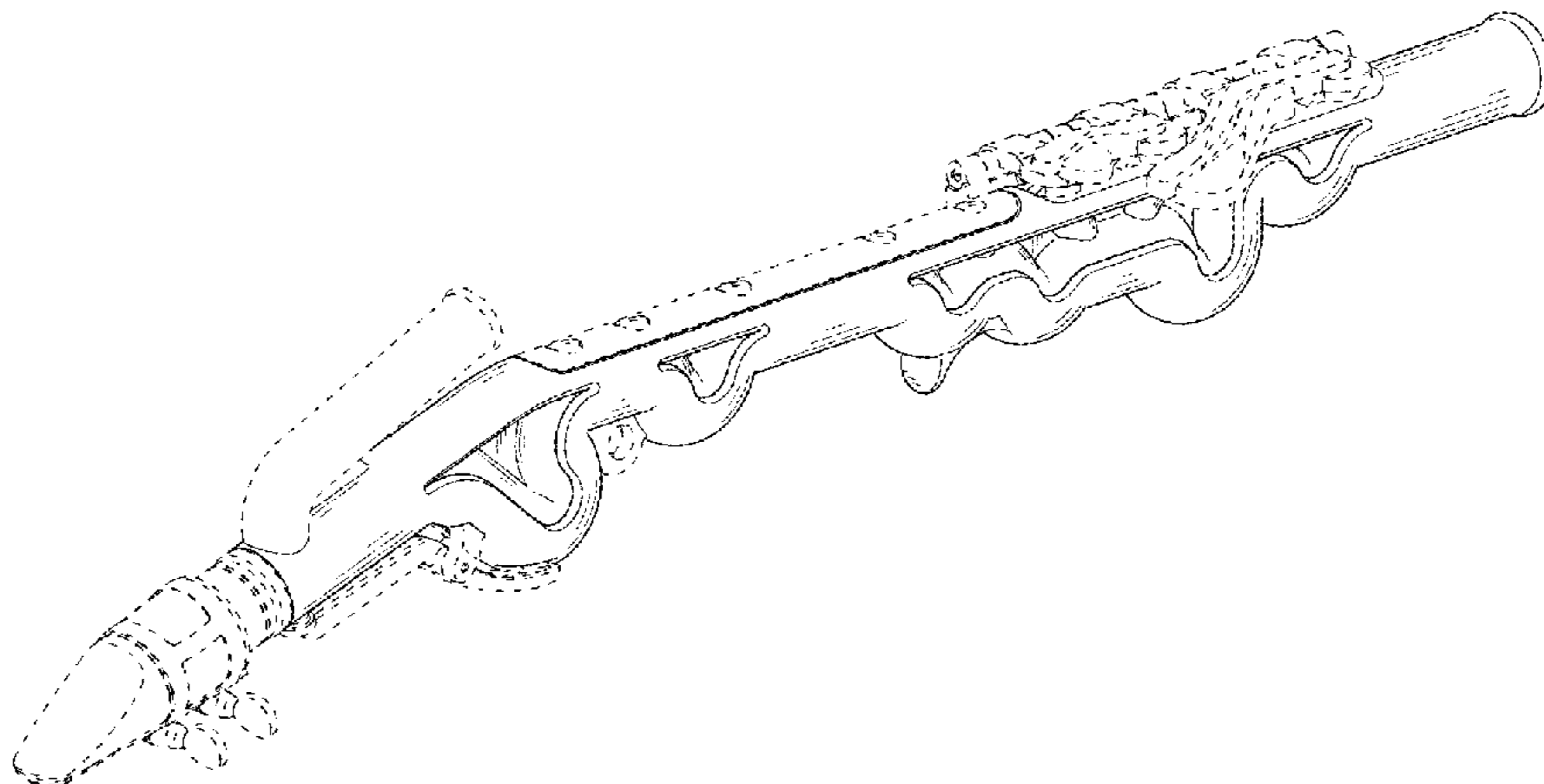
(57) **CLAIM**

The ornamental design for a wind instrument, as shown and described.

DESCRIPTION

FIG. 1 is a perspective view of the front, top and right side of a wind instrument showing my new design;
FIG. 2 is a perspective view of the rear, bottom and left side thereof;
FIG. 3 is a right side elevation view thereof;
FIG. 4 is a left side elevation view thereof;
FIG. 5 is a front elevation view thereof;
FIG. 6 is a rear elevation view thereof;
FIG. 7 is a top plan view thereof; and,
FIG. 8 is a bottom plan view thereof.
The broken line showing the wind instrument is included for the purpose of illustrating portions of the wind instrument and forms no part of the claimed design.

1 Claim, 8 Drawing Sheets



(56)

References Cited

U.S. PATENT DOCUMENTS

5,929,361 A * 7/1999 Tanaka G09B 15/003
84/380 R
D419,217 S * 1/2000 Lee D23/237
D435,637 S * 12/2000 Wales D23/263
D686,653 S * 7/2013 Tomasi D17/10
2003/0029589 A1 * 2/2003 Altheimer B27J 1/00
162/91
2006/0272473 A1 * 12/2006 Kuo G10D 7/005
84/383 R
2007/0044634 A1 * 3/2007 Bear G10D 7/026
84/380 R
2012/0048094 A1 * 3/2012 Gisler G10D 7/026
84/384
2014/0305279 A1 * 10/2014 Russell G10D 9/02
84/380 R
2015/0040739 A1 * 2/2015 Ingalls G10D 7/026
84/384
2016/0171958 A1 * 6/2016 Rovner G10D 7/08
84/383 A

FOREIGN PATENT DOCUMENTS

FR 624703 A * 7/1927 G10D 7/026
FR 661444 A * 7/1929 G10D 7/063
FR 2609568 A1 * 7/1988 G10D 9/043
FR 2678416 A1 * 12/1992 G10D 9/043

OTHER PUBLICATIONS

Youtube, Jupiter D-Loop Kinderflote JP-509S, posted on Feb. 21, 2013, [online], [site visited on Dec. 18, 2017]. Available from Internet, URL: <https://www.youtube.com/watch?v=jJ3JT8KC2L4> (Year: 2013).*

Youtube, Swan Neck.wmv, posted on Mar. 30, 2012, [online], [site visited on Dec. 18, 2017]. Available from Internet, URL: https://www.youtube.com/watch?time_continue=1&v=oGYyUKmYZhQ (Year: 2012).*

* cited by examiner

Fig.1

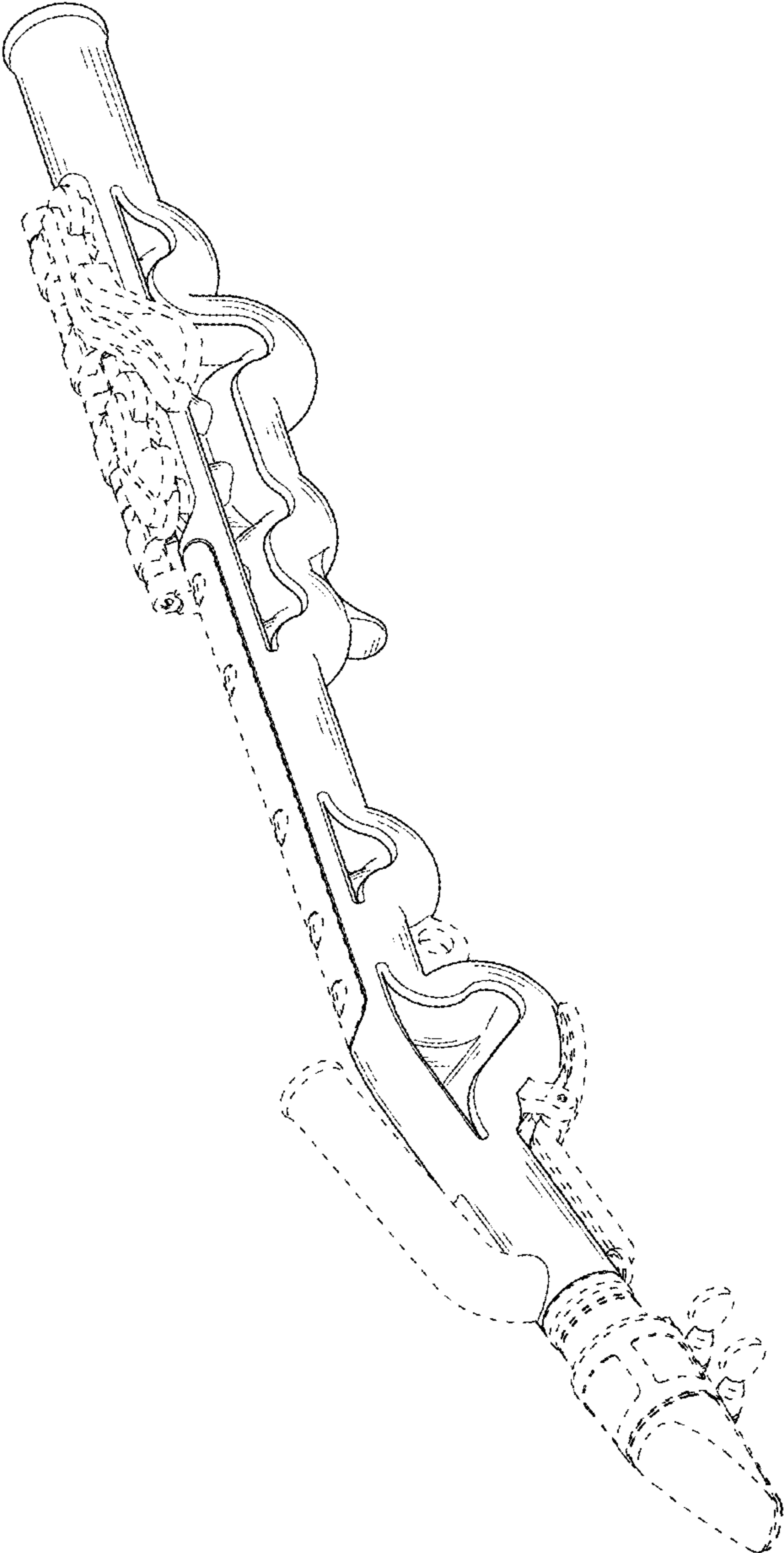


Fig.2

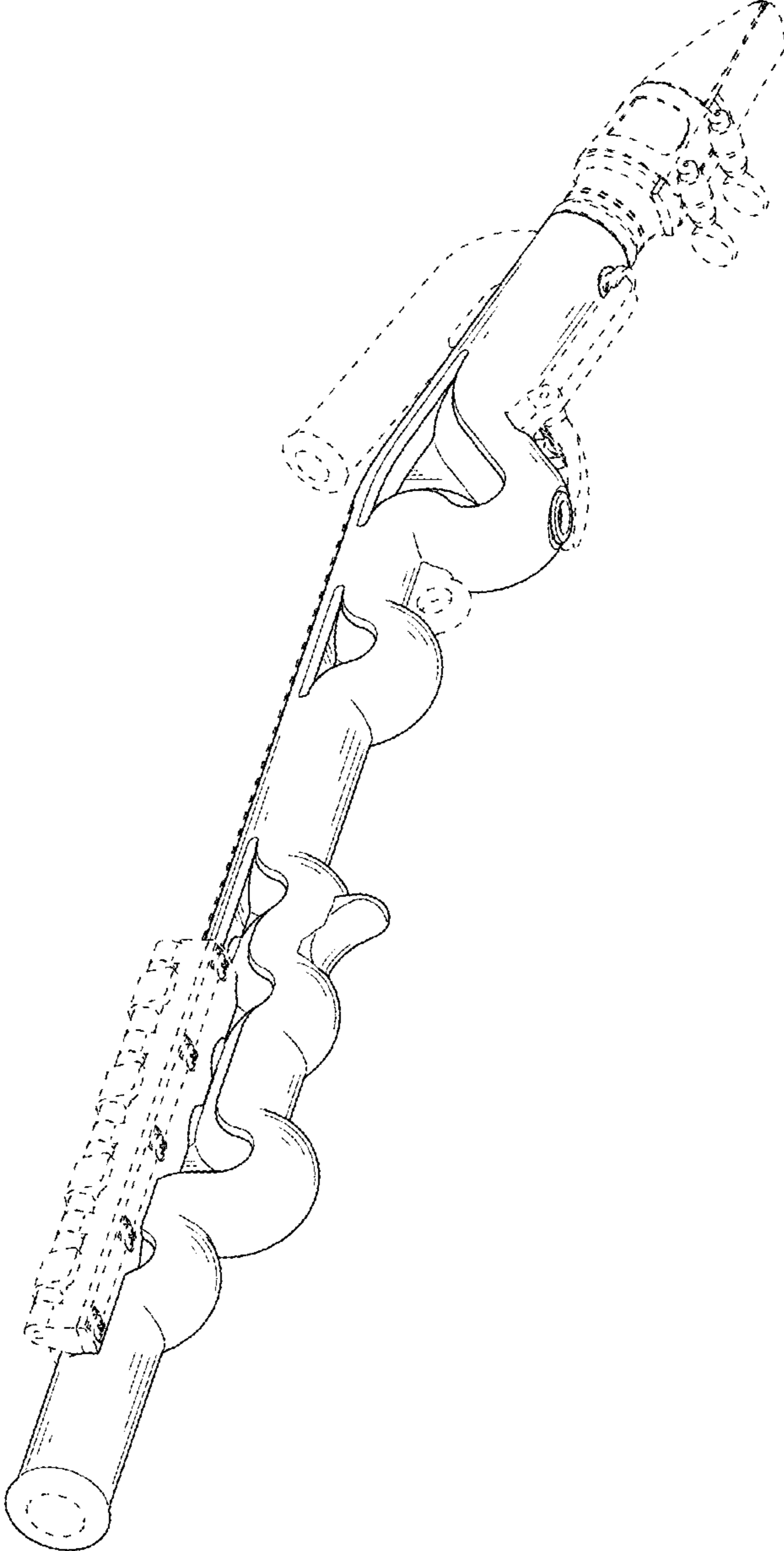


Fig.3

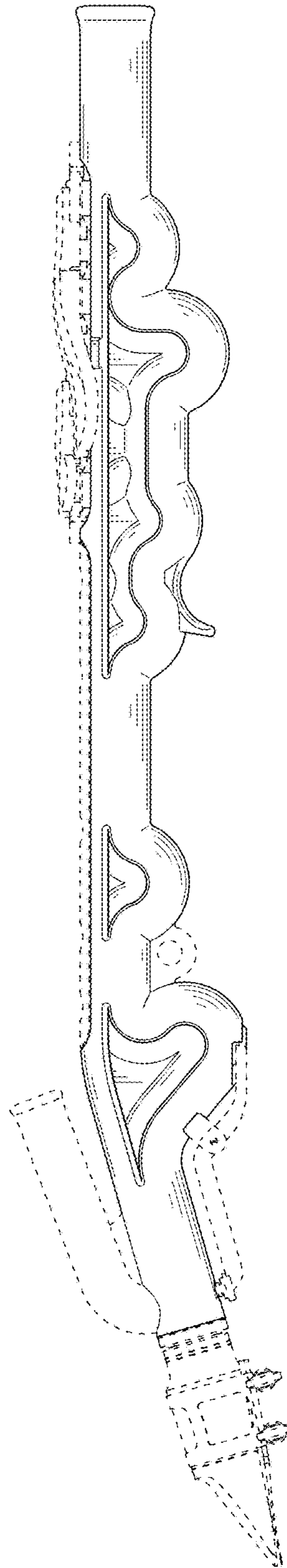


Fig.4

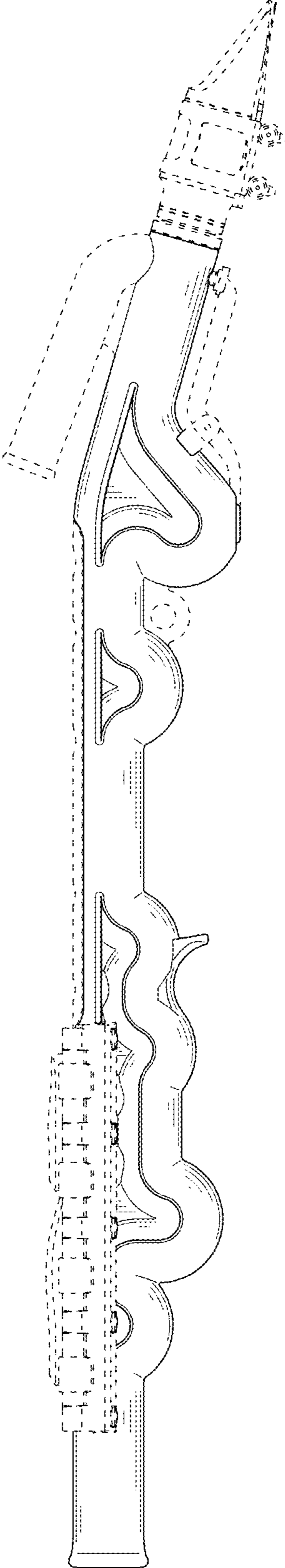


Fig. 5

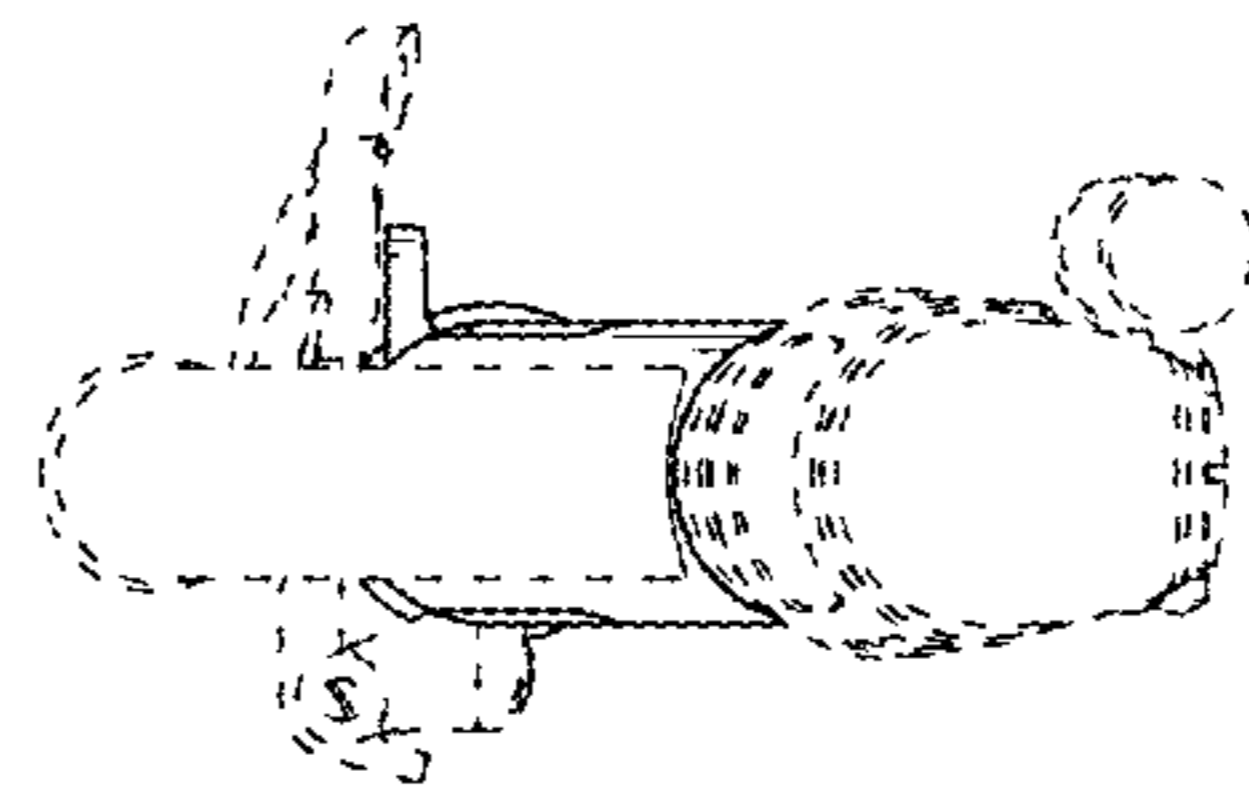


Fig.6

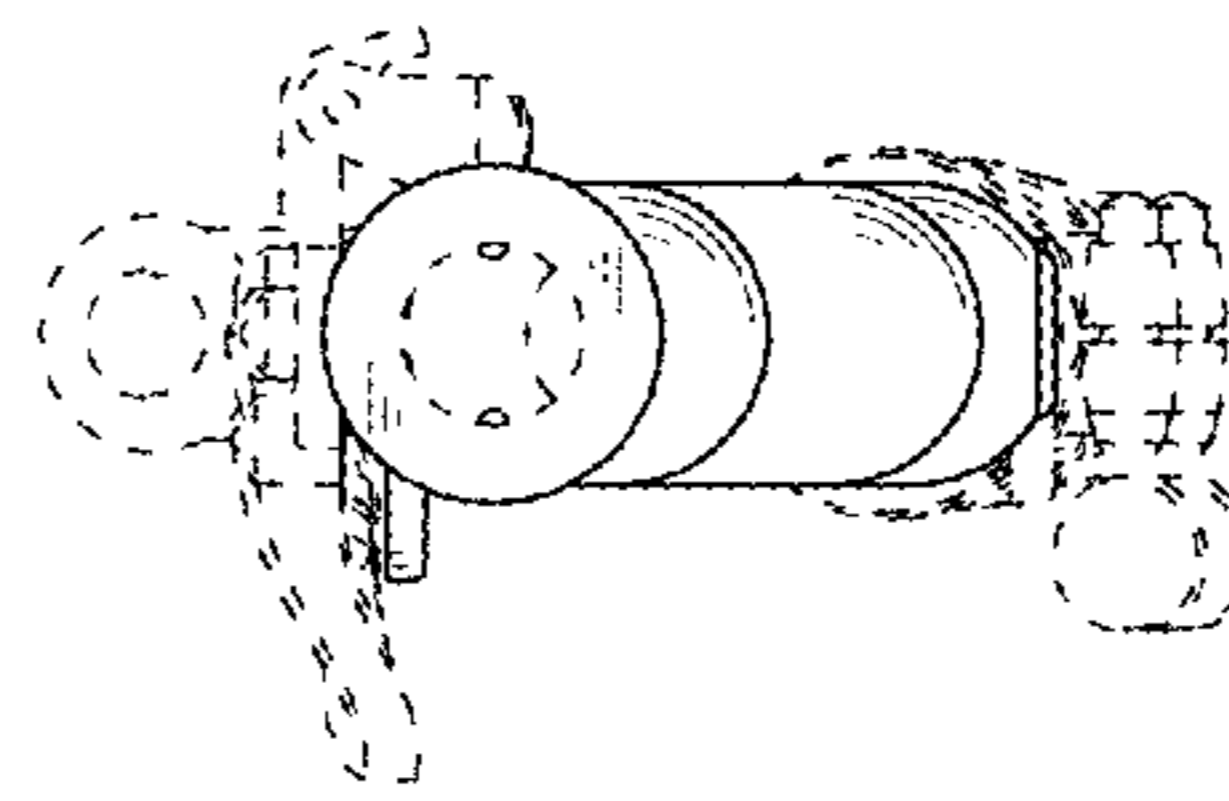


Fig. 7

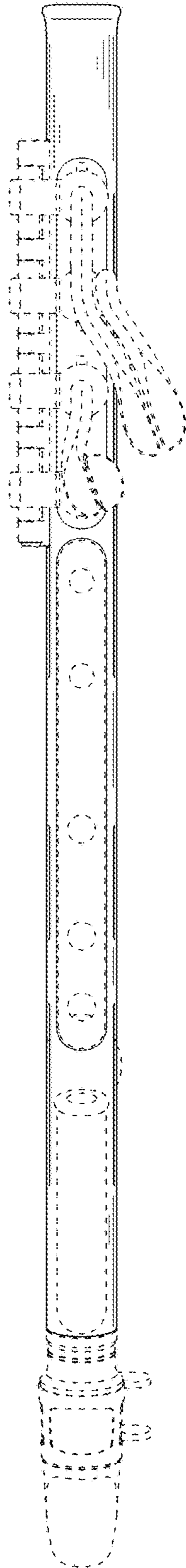


Fig. 8

