



US00D823370S

(12) **United States Design Patent**  
**Lee et al.**

(10) **Patent No.:** **US D823,370 S**  
(45) **Date of Patent:** **\*\* Jul. 17, 2018**

- (54) **SURVEILLANCE CAMERA**
- (71) Applicant: **LG ELECTRONICS INC.**, Seoul (KR)
- (72) Inventors: **Hophil Lee**, Seoul (KR); **Kyoungjong Kim**, Seoul (KR); **Bonghui Kang**, Seoul (KR)
- (73) Assignee: **LG ELECTRONICS INC.**, Seoul (KR)

- D470,520 S \* 2/2003 Yamakawa ..... D16/203
- D531,200 S \* 10/2006 Taneno ..... D16/203
- D612,408 S \* 3/2010 Yamakawa ..... D16/203
- D613,784 S \* 4/2010 Wang ..... D16/203
- D651,633 S \* 1/2012 Park ..... D16/203
- D719,600 S \* 12/2014 Katori ..... D16/203
- D727,991 S \* 4/2015 Katori ..... D16/203
- D736,292 S \* 8/2015 Fengmin ..... D16/203
- D788,834 S \* 6/2017 Bhattacharya ..... D16/203
- D795,940 S \* 8/2017 Huang ..... D16/203
- D795,944 S \* 8/2017 Mitchell ..... D16/203
- D798,361 S \* 9/2017 Kim ..... D16/203

(Continued)

(\*\*) Term: **15 Years**

(21) Appl. No.: **35/502,239**

(22) Filed: **Jul. 6, 2016**

(80) **Hague Agreement Data**

Int. Filing Date: **Jul. 6, 2016**  
 Int. Reg. No.: **DM/091697**  
 Int. Reg. Date: **Jul. 6, 2016**  
 Int. Reg. Pub. Date: **Jan. 6, 2017**

(30) **Foreign Application Priority Data**

Jan. 7, 2016 (KR) ..... 30-2016-0000702

(51) **LOC (11) Cl.** ..... **16-01**

(52) **U.S. Cl.**  
USPC ..... **D16/203**

(58) **Field of Classification Search**  
 USPC ..... D16/200, 202–206, 208, 218, 219, 242  
 CPC ..... G03B 17/02; G03B 19/04; G03B 17/56;  
 G03B 17/04; G03B 17/03; H04N 5/2251;  
 H04N 5/2252; H04N 5/2253; H04N  
 5/2254; H04N 7/181; H04N 7/183; H04N  
 7/18

See application file for complete search history.

(56) **References Cited**

**U.S. PATENT DOCUMENTS**

- D320,028 S \* 9/1991 Sedighzadeh ..... D16/203
- D373,593 S \* 9/1996 Hiroko ..... D16/202

*Primary Examiner* — Manpreet S Matharu  
*Assistant Examiner* — Holly E Thurman  
 (74) *Attorney, Agent, or Firm* — Birch, Stewart, Kolasch  
 & Birch, LLP

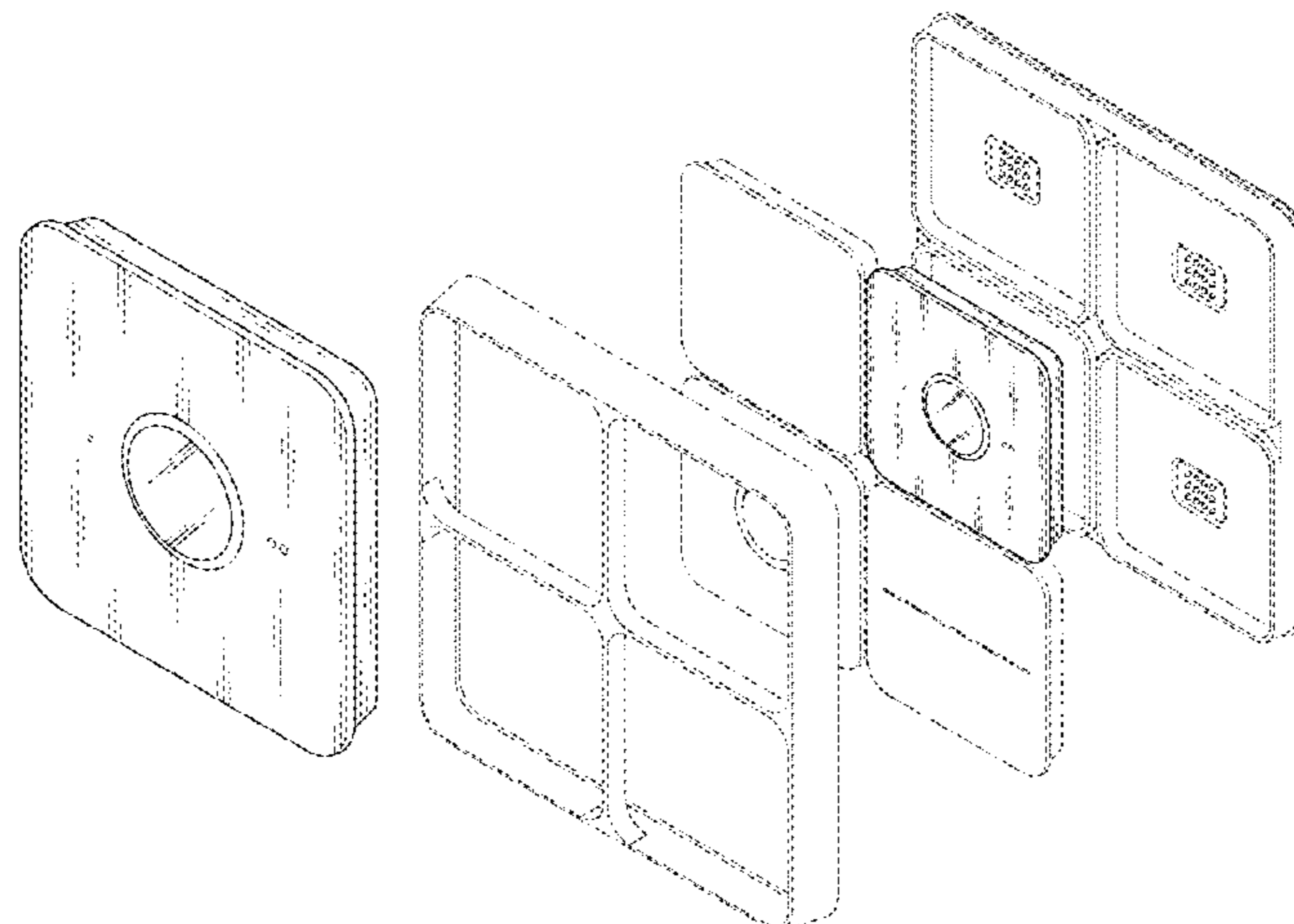
(57) **CLAIM**

The ornamental design for a surveillance camera, as shown and described.

**DESCRIPTION**

1. Surveillance camera  
**1.1** is a perspective view of a surveillance camera, showing our new design;  
**1.2** is a front elevation view thereof;  
**1.3** is a rear elevation view thereof;  
**1.4** is a left-side elevation view thereof;  
**1.5** is a right-side elevation view thereof;  
**1.6** is a top plan view thereof;  
**1.7** is a bottom plan view thereof;  
**1.8** is a perspective view of an exemplary electronic device with the surveillance camera installed; and  
**1.9** is an exploded perspective view of the exemplary electronic device shown in **1.8**.  
 The broken lines shown in figure **1.3** depict portions of the surveillance camera that form no part of the claimed design. The broken lines shown in figures **1.8** and **1.9** illustrate an exemplary electronic device and form no part of the claimed design.

**1 Claim, 9 Drawing Sheets**



(56)

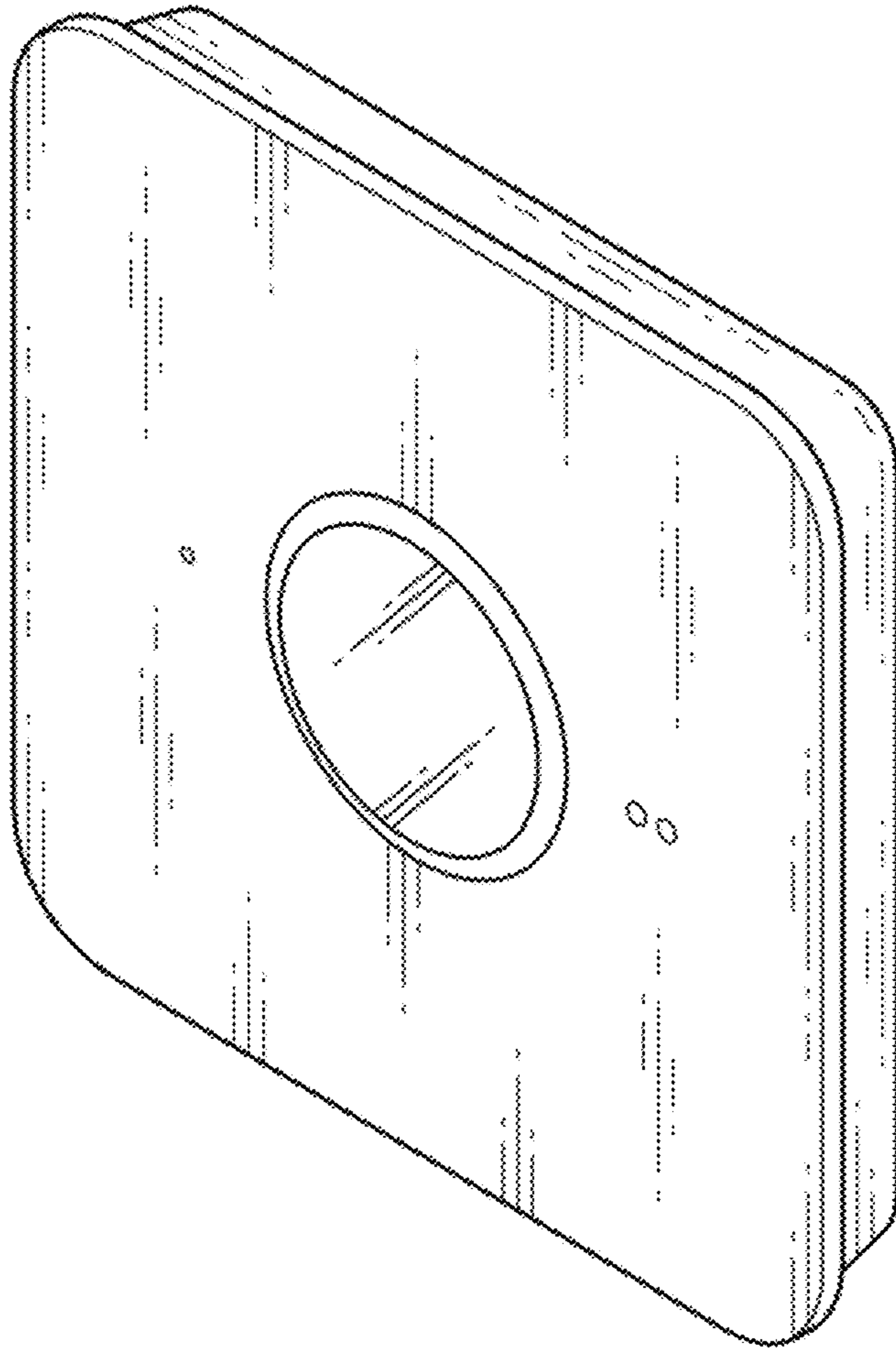
**References Cited**

U.S. PATENT DOCUMENTS

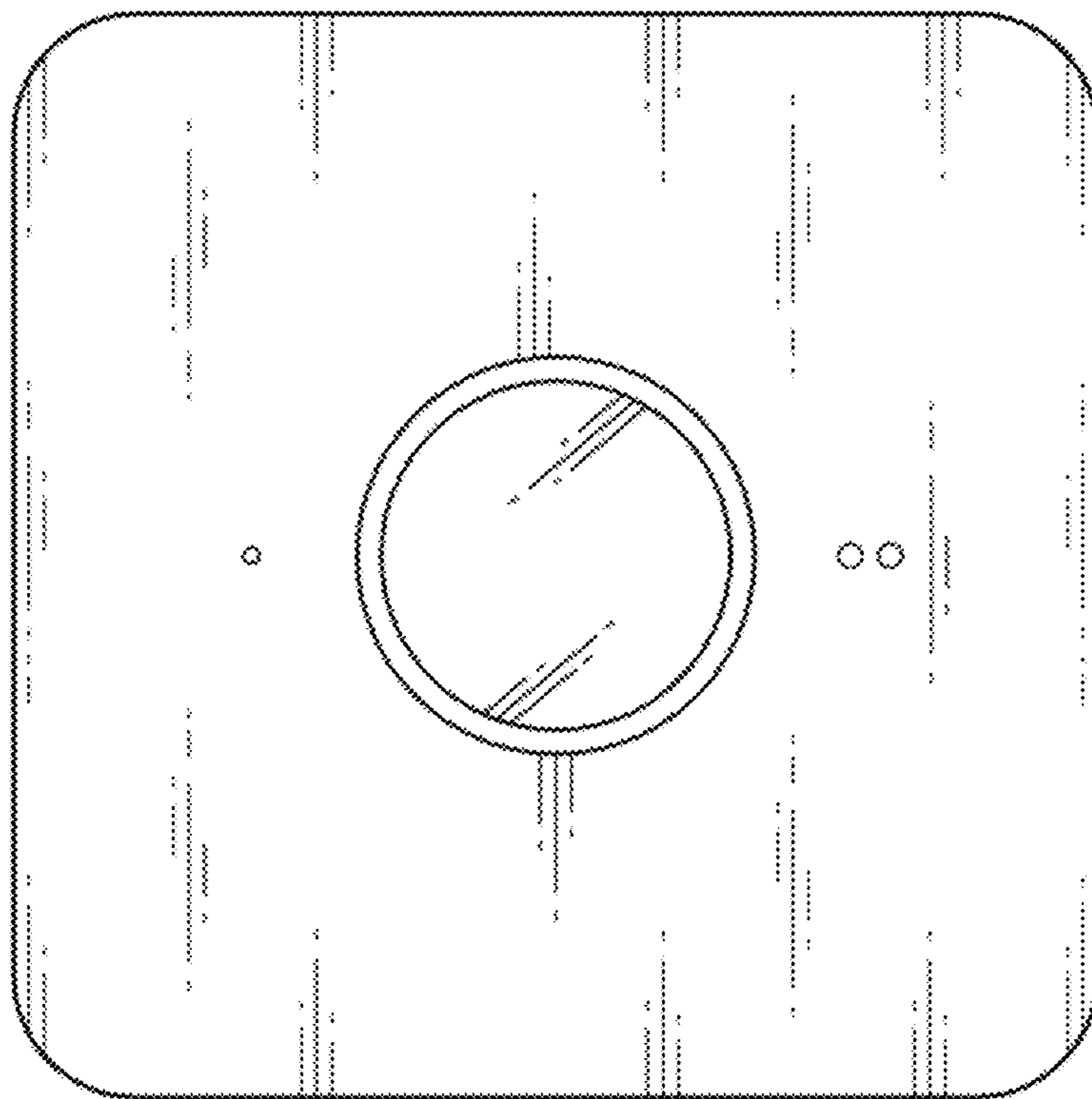
D798,931 S	*	10/2017	Kim .....	D16/203
D802,645 S	*	11/2017	Siminoff .....	D16/203
D803,289 S	*	11/2017	Glazer .....	D16/203
D803,923 S	*	11/2017	Tudosoiu .....	D16/203

\* cited by examiner

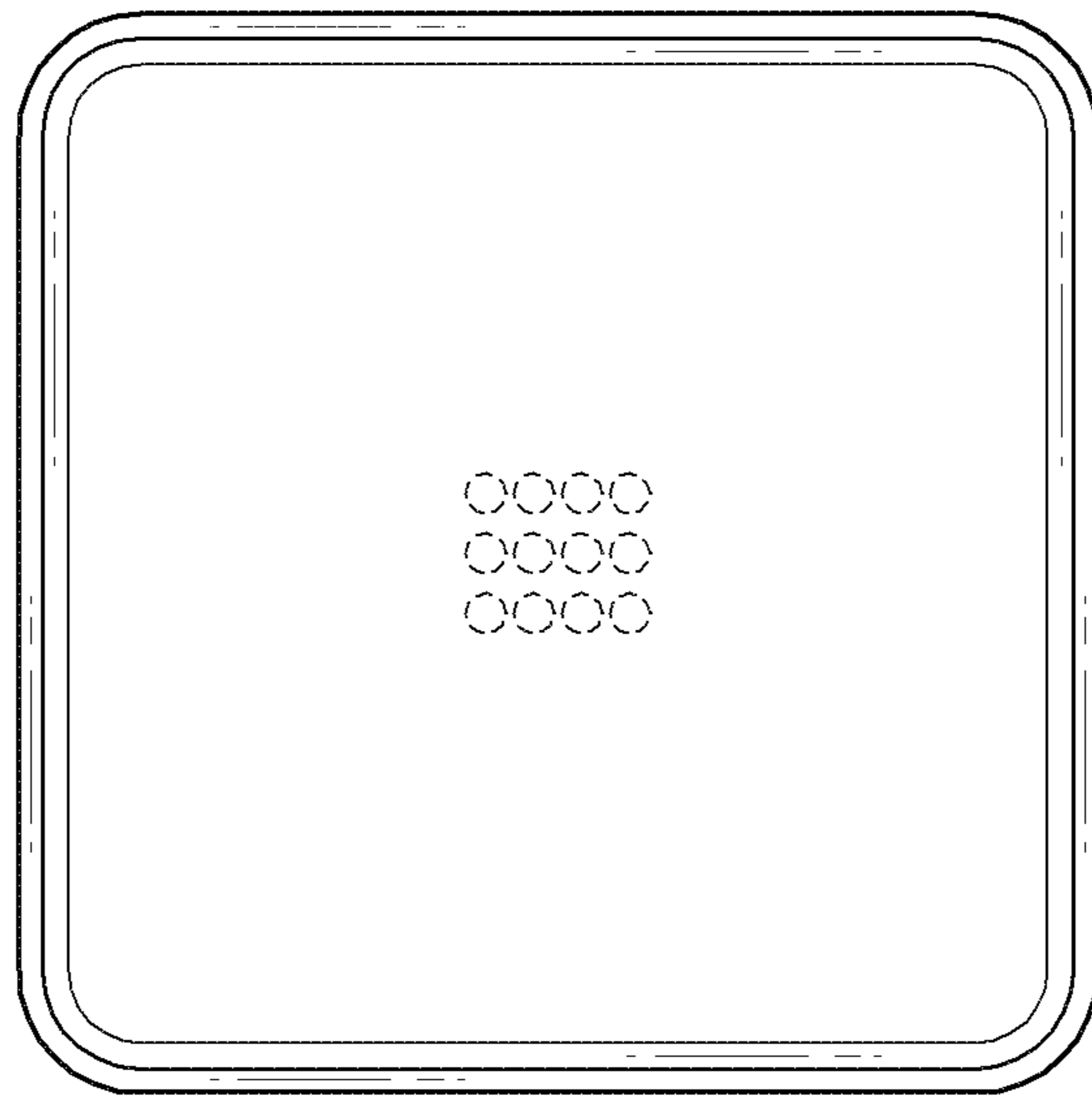
1.1



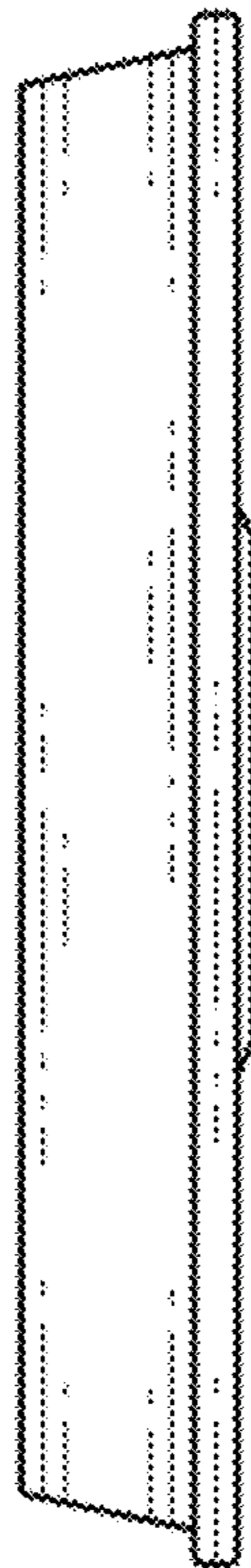
1.2



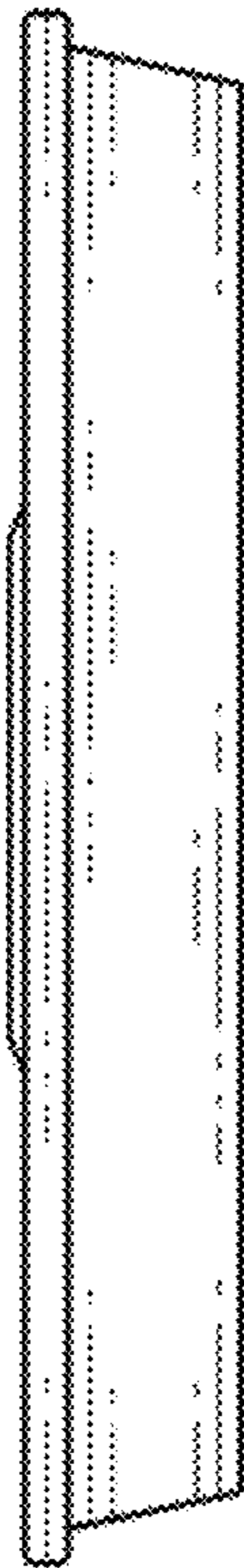
1.3



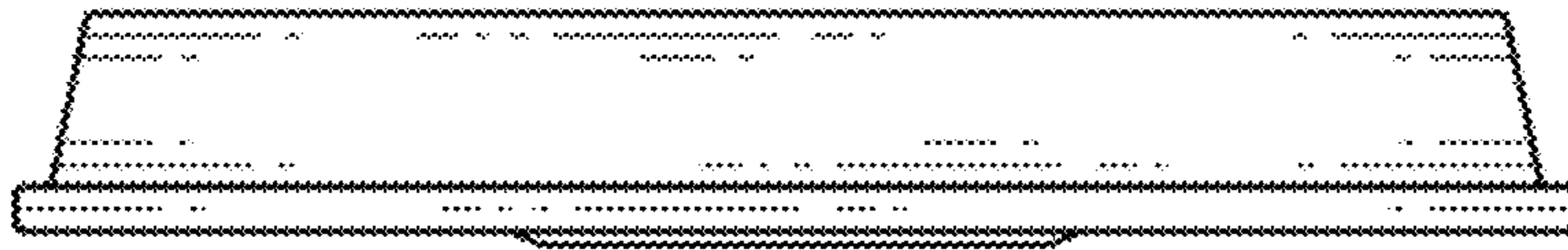
1.4



1.5

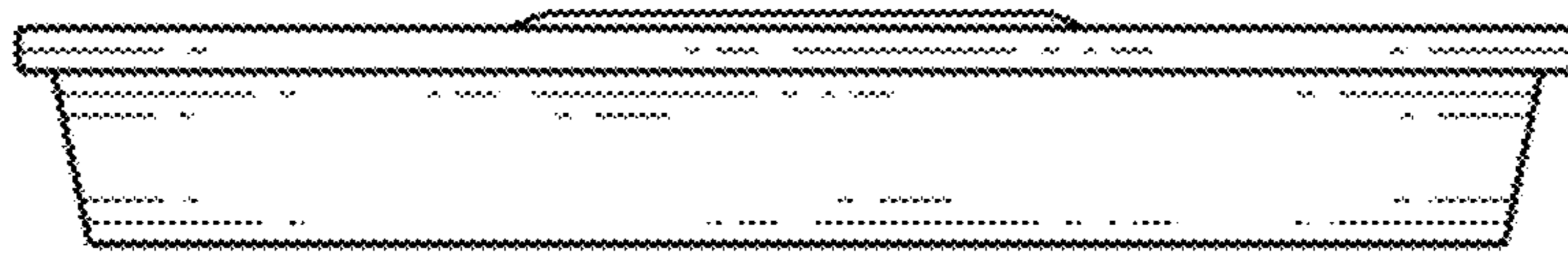


1.6

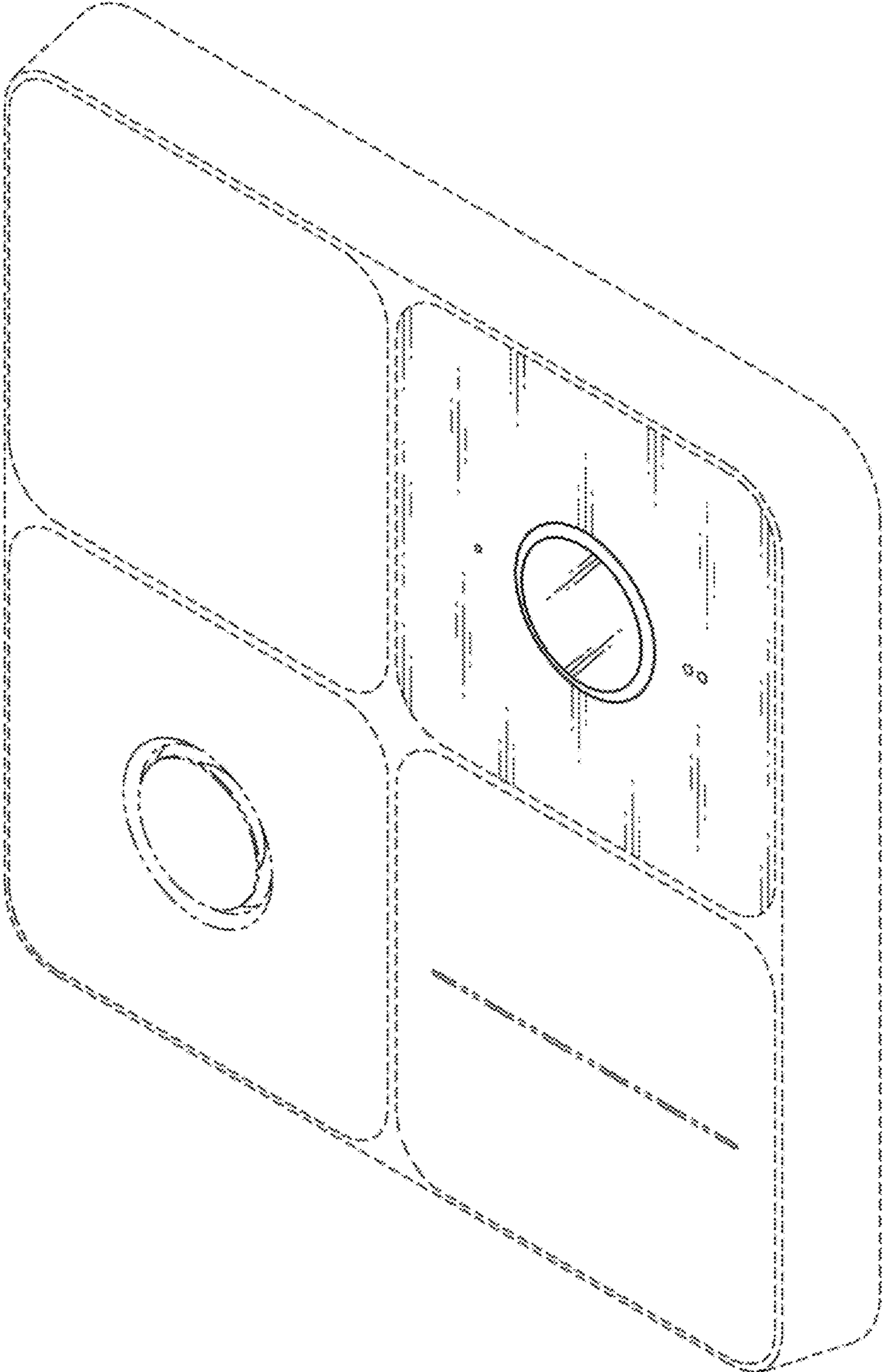




1.7



1.8



1.9

