



US00D823369S

(12) **United States Design Patent** (10) **Patent No.:** **US D823,369 S**  
**Wang et al.** (45) **Date of Patent:** **\*\* Jul. 17, 2018**

(54) **BULLET CAMERA**

(56) **References Cited**

(71) Applicant: **ZHEJIANG UNIVIEW TECHNOLOGIES CO., LTD.**, Hangzhou (CN)

U.S. PATENT DOCUMENTS

(72) Inventors: **Weiguo Wang**, Hangzhou (CN); **Jie Wu**, Hangzhou (CN); **Gaoshang Cui**, Hangzhou (CN); **Jianlin Zhong**, Hangzhou (CN)

D426,844 S *	6/2000	Fujii	.....	D16/202
D528,144 S *	9/2006	Takemasa	.....	D16/203
D634,345 S *	3/2011	Kim	.....	D16/203
D634,347 S *	3/2011	Park	.....	D16/203
D691,187 S *	10/2013	Seo	.....	D16/203
D694,307 S *	11/2013	Isozaki	.....	D16/203
D702,274 S *	4/2014	Qian	.....	D16/203
D721,115 S *	1/2015	Park	.....	D16/203
D723,603 S *	3/2015	Hess, Jr.	.....	D16/203
D731,574 S *	6/2015	Hallstrom	.....	D16/203
D741,933 S *	10/2015	Bergstrom	.....	D16/203
D795,943 S *	8/2017	Mitchell	.....	D16/203
2013/0033606 A1 *	2/2013	Takahashi	.....	H04N 5/2254 348/164

(73) Assignee: **ZHEJIANG UNIVIEW TECHNOLOGIES CO., LTD.**, Hangzhou (CN)

(\*\*) Term: **15 Years**

\* cited by examiner

(21) Appl. No.: **29/581,869**

*Primary Examiner* — Philip S Hyder

(22) Filed: **Oct. 23, 2016**

*Assistant Examiner* — Ramzi Almatrahi

(30) **Foreign Application Priority Data**

(74) *Attorney, Agent, or Firm* — Charles Gray

Aug. 23, 2016 (CN) ..... 2016 3 0411733

(57) **CLAIM**

The ornamental design for a bullet camera, as shown and described.

(51) **LOC (11) Cl.** ..... **16-01**

**DESCRIPTION**

(52) **U.S. Cl.**

USPC ..... **D16/203**

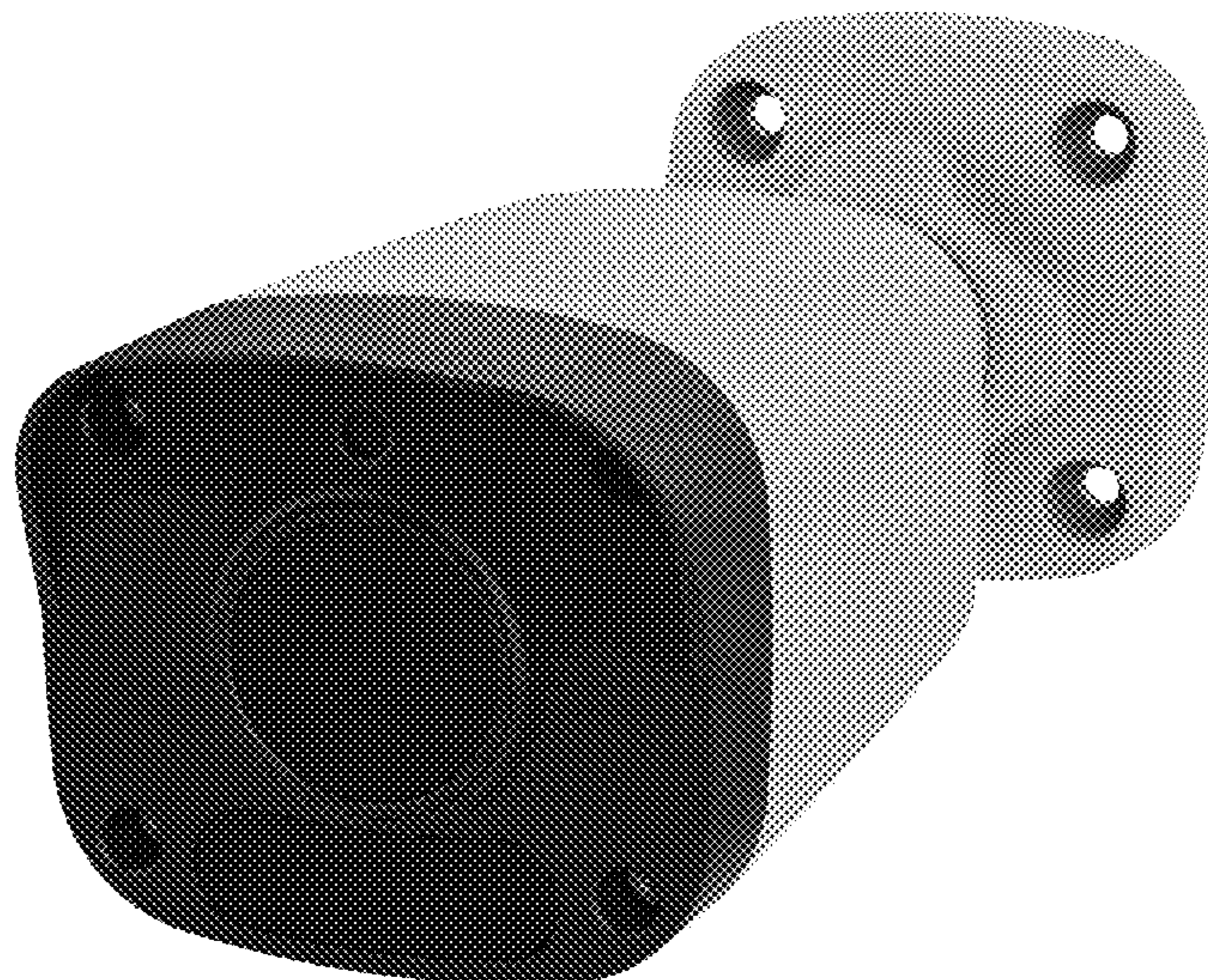
(58) **Field of Classification Search**

USPC ..... D16/200, 202–206, 218, 219, 242; 348/143, 148, 151, 373–376; 396/419, 396/427, 535, 539–541

CPC ..... G03B 17/02; G03B 19/04; G03B 17/56; G03B 17/04; G03B 15/03; H04N 5/2251; H04N 5/2252; H04N 5/2253; H04N 5/2254; H04N 7/181; H04N 7/183; H04N 7/18; G08B 13/1963; G08B 13/19619; G08B 13/19632; F16M 11/04; F16M 13/00

See application file for complete search history.

**1 Claim, 6 Drawing Sheets**



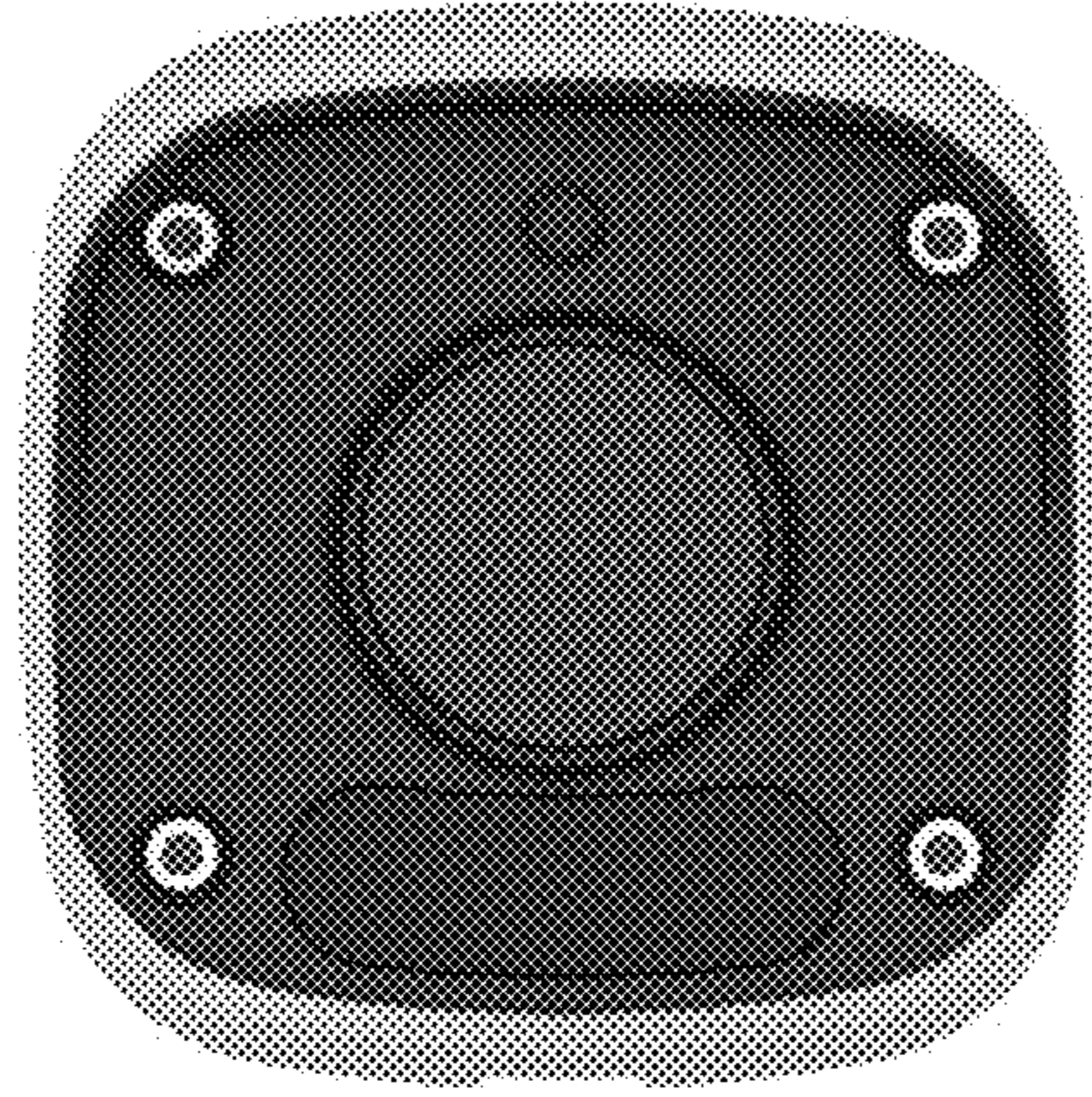


FIG. 1

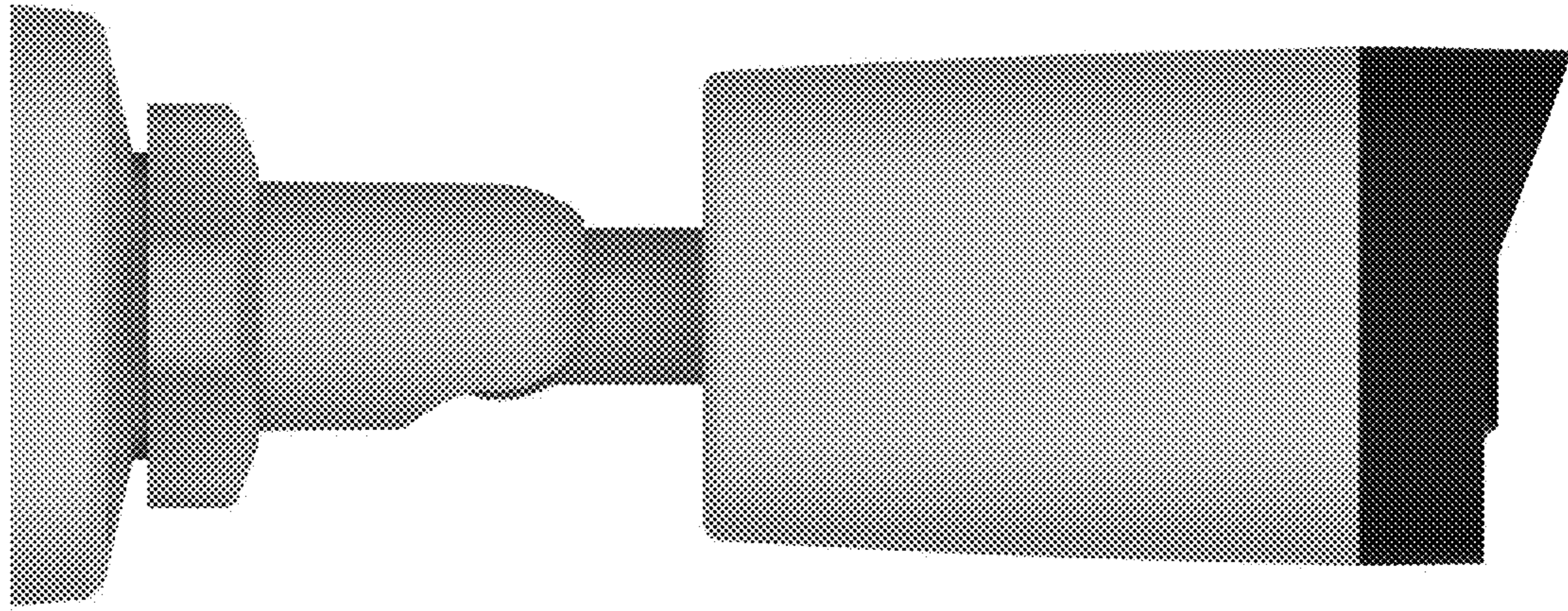


FIG. 2

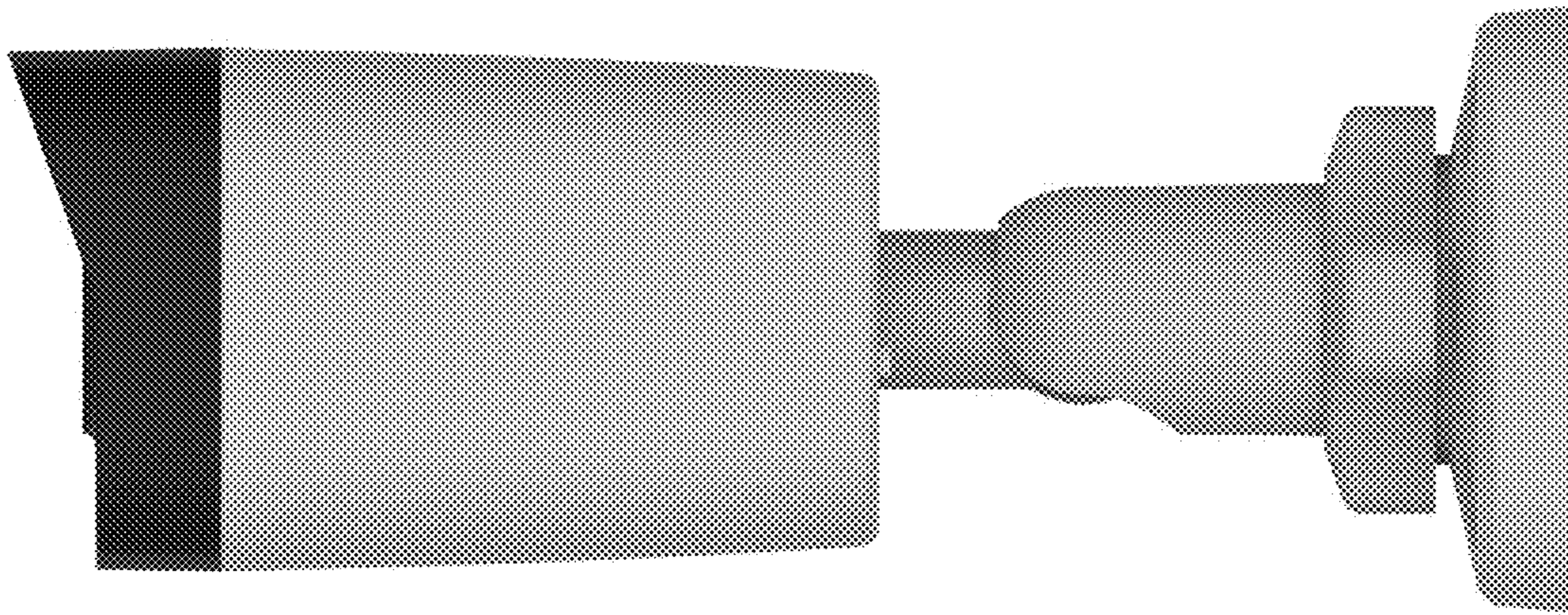


FIG. 3

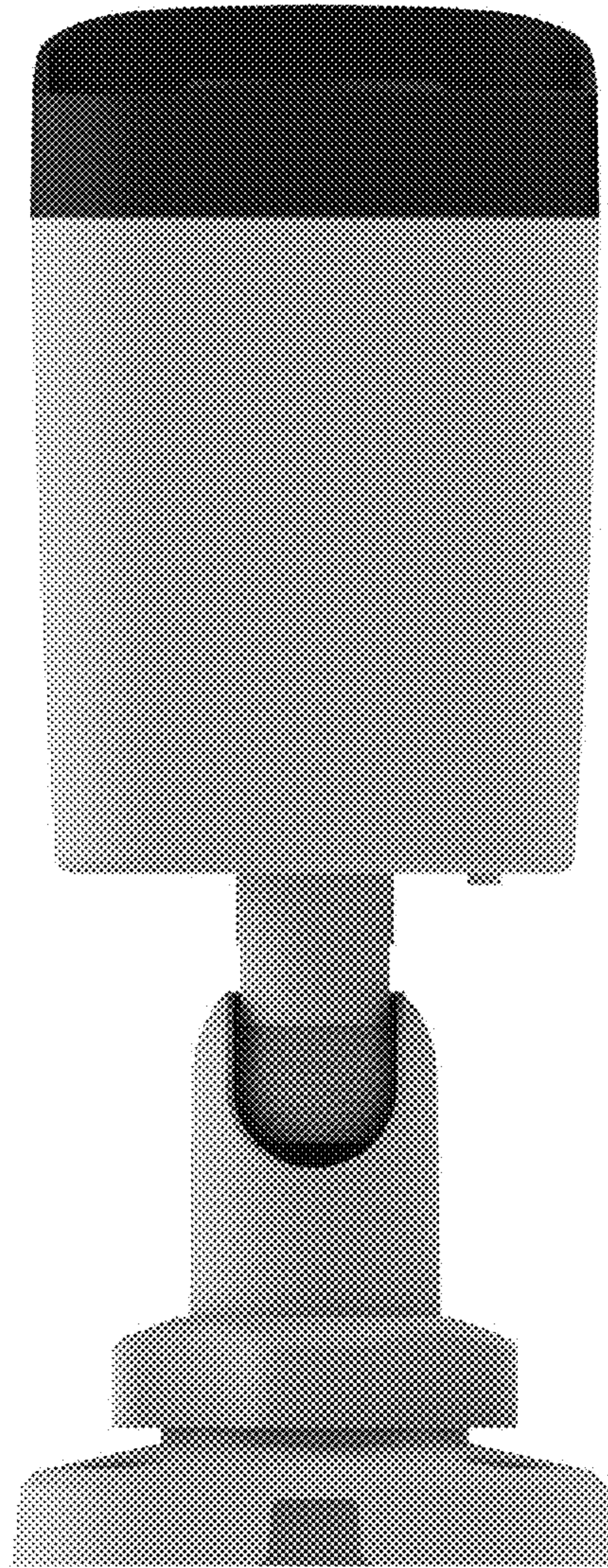


FIG. 4

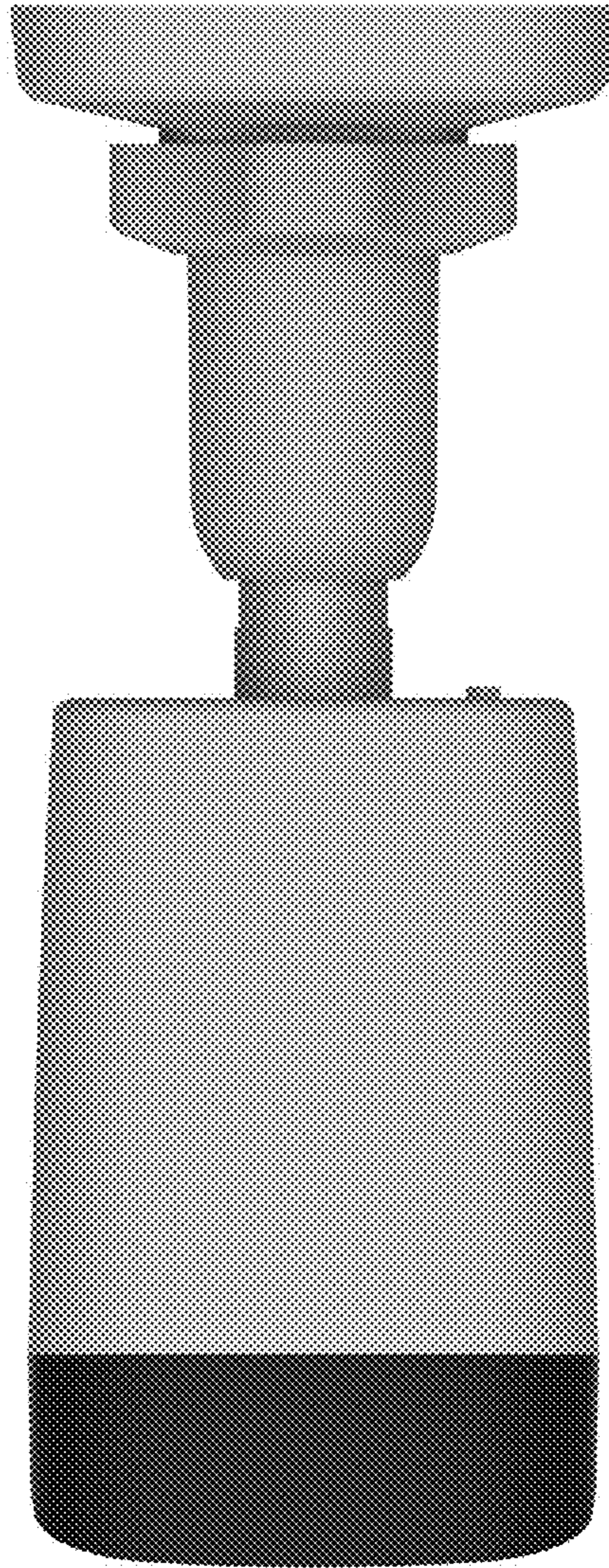


FIG. 5



FIG. 6