



US00D823368S

(12) **United States Design Patent** (10) **Patent No.:** **US D823,368 S**
Kessler et al. (45) **Date of Patent:** **** Jul. 17, 2018**

(54) **MAGNIFYING DEVICE**
(71) Applicant: **Sy Kessler Sales, Inc.**, Dallas, TX (US)
(72) Inventors: **Daniel L. Kessler**, Dallas, TX (US);
Henry M. Kessler, Dallas, TX (US)
(73) Assignee: **Sy Kessler Sales, Inc.**, Dallas, TX (US)
(**) Term: **15 Years**
(21) Appl. No.: **29/579,152**
(22) Filed: **Sep. 28, 2016**
(51) **LOC (11) Cl.** **16-06**
(52) **U.S. Cl.**
USPC **D16/135**
(58) **Field of Classification Search**
USPC D14/203.3–203.7, 217, 238.1, 240, 248,
D14/250–253; D16/130, 134, 135
CPC G02B 27/026; H04J 11/00; H04J 13/00
See application file for complete search history.

D754,766 S * 4/2016 Daniel D16/135
D807,937 S * 1/2018 Warr D16/135
2005/0071956 A1 4/2005 Fuller
2014/0152955 A1 6/2014 Papageorgiou et al.
2015/0153233 A1 6/2015 Broyer

* cited by examiner

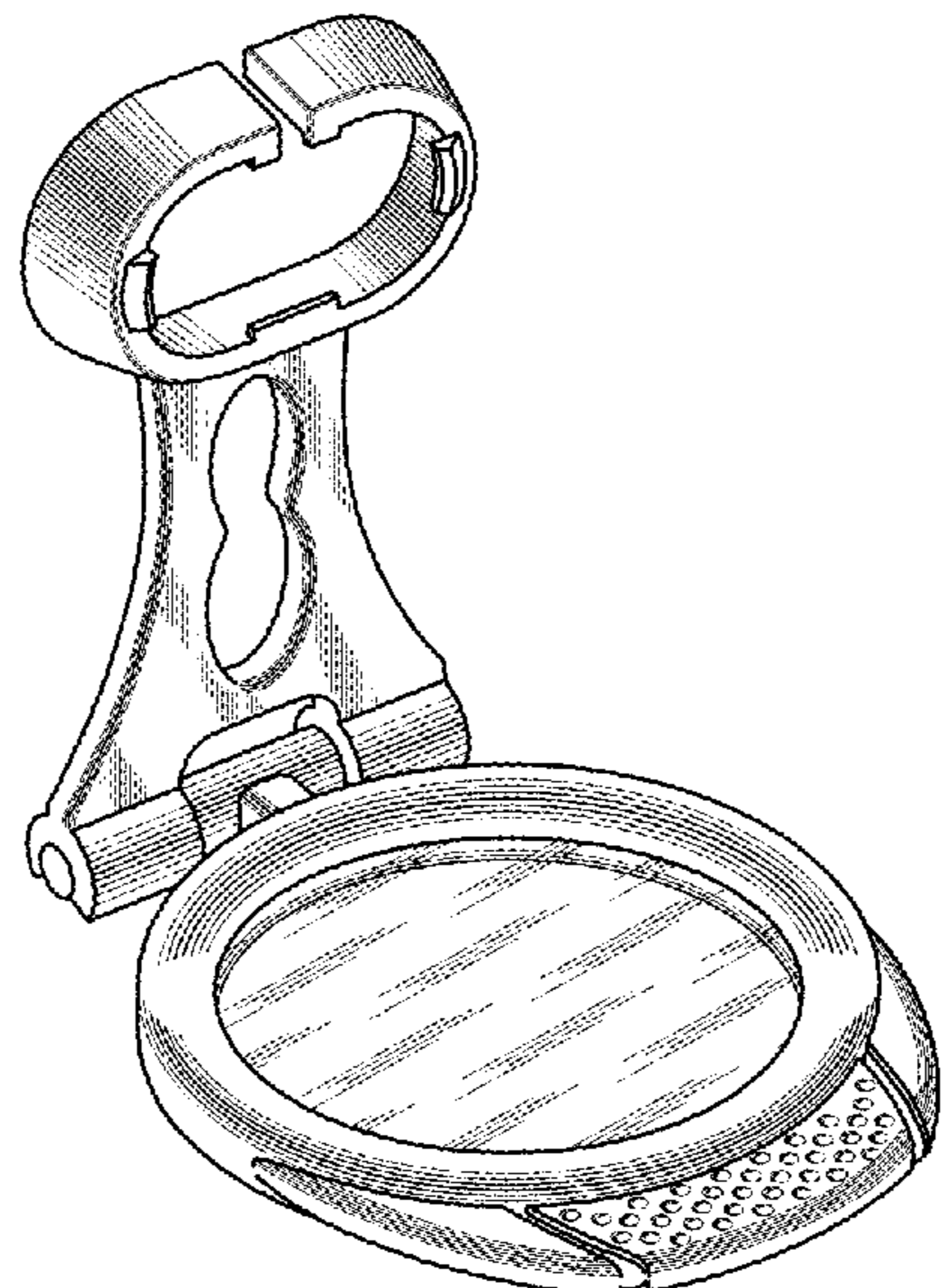
Primary Examiner — Mark Alan Goodwin
Assistant Examiner — Benjamin M Weeks
(74) *Attorney, Agent, or Firm* — Scott T. Griggs; Griggs
Bergen LLP

(56) **References Cited**
U.S. PATENT DOCUMENTS
D889,352 6/1908 Bold
2,649,838 A 5/1949 Krause et al.
3,007,566 A 11/1961 Morris
4,763,986 A 8/1988 Sego
4,770,635 A 9/1988 Gabay
D509,840 S * 9/2005 Lewis D16/135
7,000,291 B2 2/2006 Fuller
D526,340 S * 8/2006 Hodgson D16/135
D568,354 S * 5/2008 Krause D16/135
D586,833 S * 2/2009 Huang D16/135
D705,842 S * 5/2014 Su G02B 25/02
D16/135
D707,279 S * 6/2014 Tang G02B 25/02
D16/135

(57) **CLAIM**
The ornamental design for a magnifying device, as shown
and described.

DESCRIPTION
FIG. 1 is a front perspective view of a magnifying device;
FIG. 2 is a rear perspective view of the magnifying device
shown in FIG. 1;
FIG. 3 is a top plan view of the magnifying device shown in
FIG. 1;
FIG. 4 is a bottom plan view of the magnifying device
shown in FIG. 1;
FIG. 5 is a front elevation view of the magnifying device as
shown in FIG. 1;
FIG. 6 is a left side elevation view of the magnifying device
as shown in FIG. 1;
FIG. 7 is a right side elevation view of the magnifying
device as shown in FIG. 1; and,
FIG. 8 is a rear elevation view of the magnifying device
shown in FIG. 1.

1 Claim, 2 Drawing Sheets



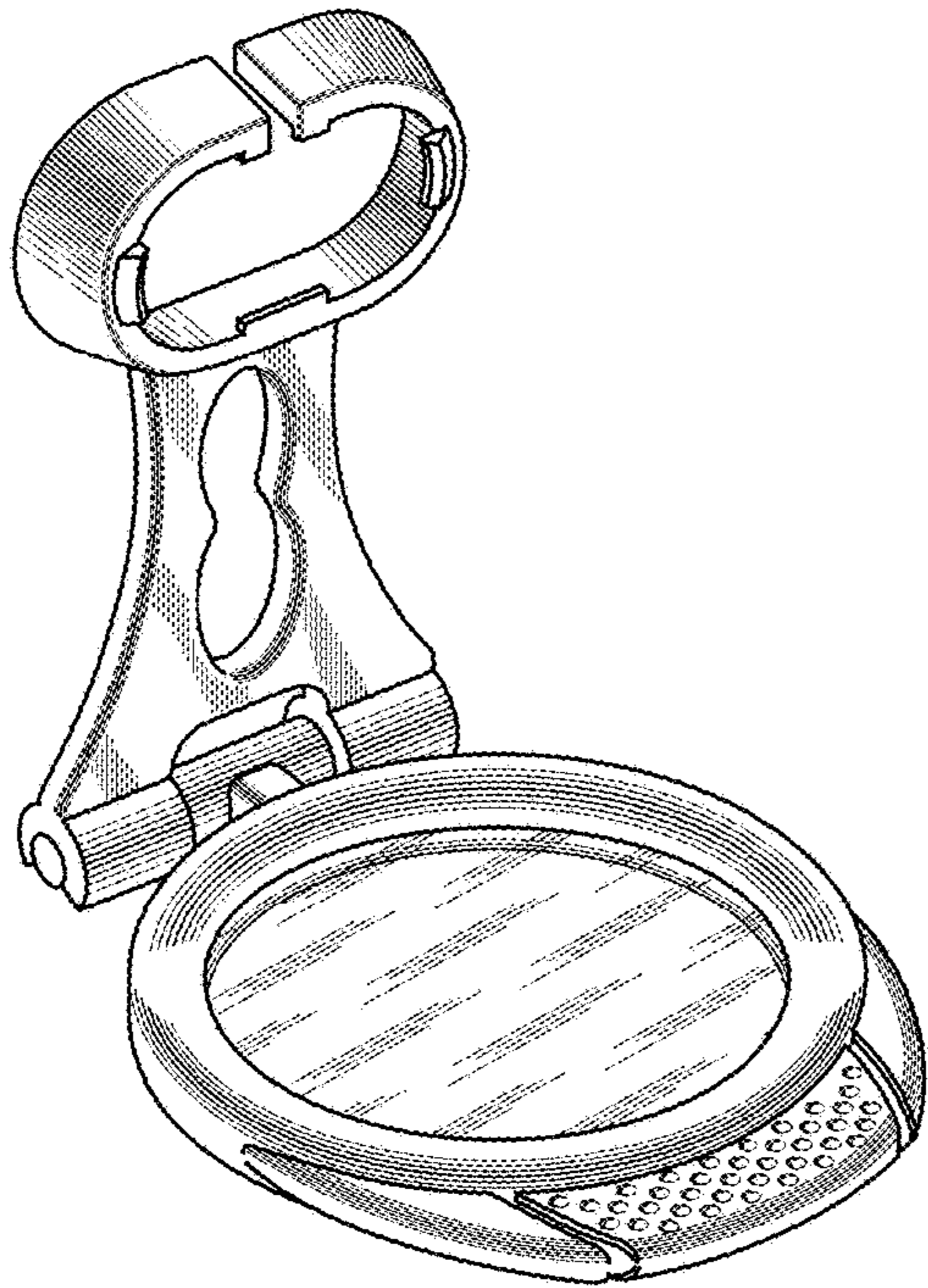


Fig.1

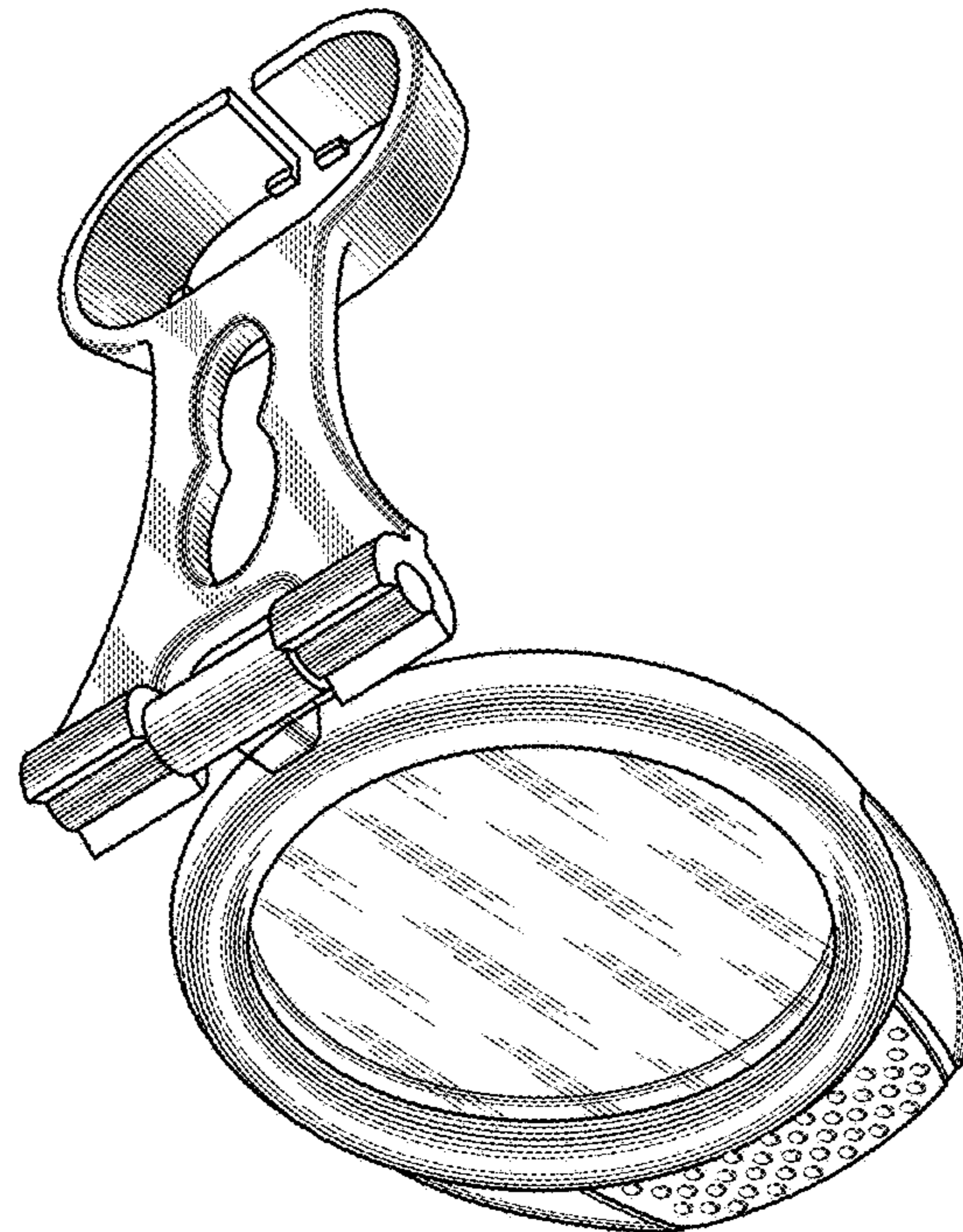


Fig.2

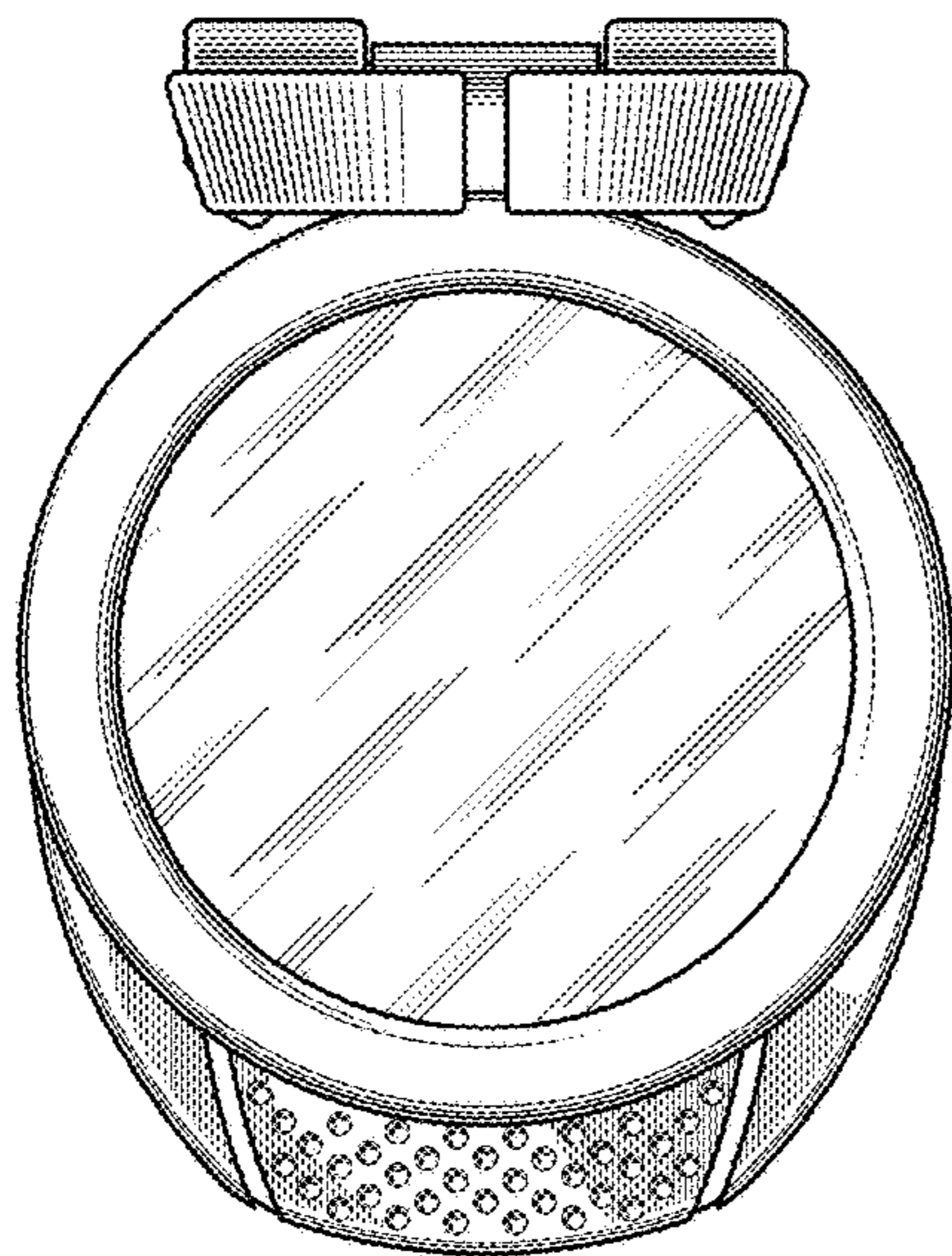


Fig.3

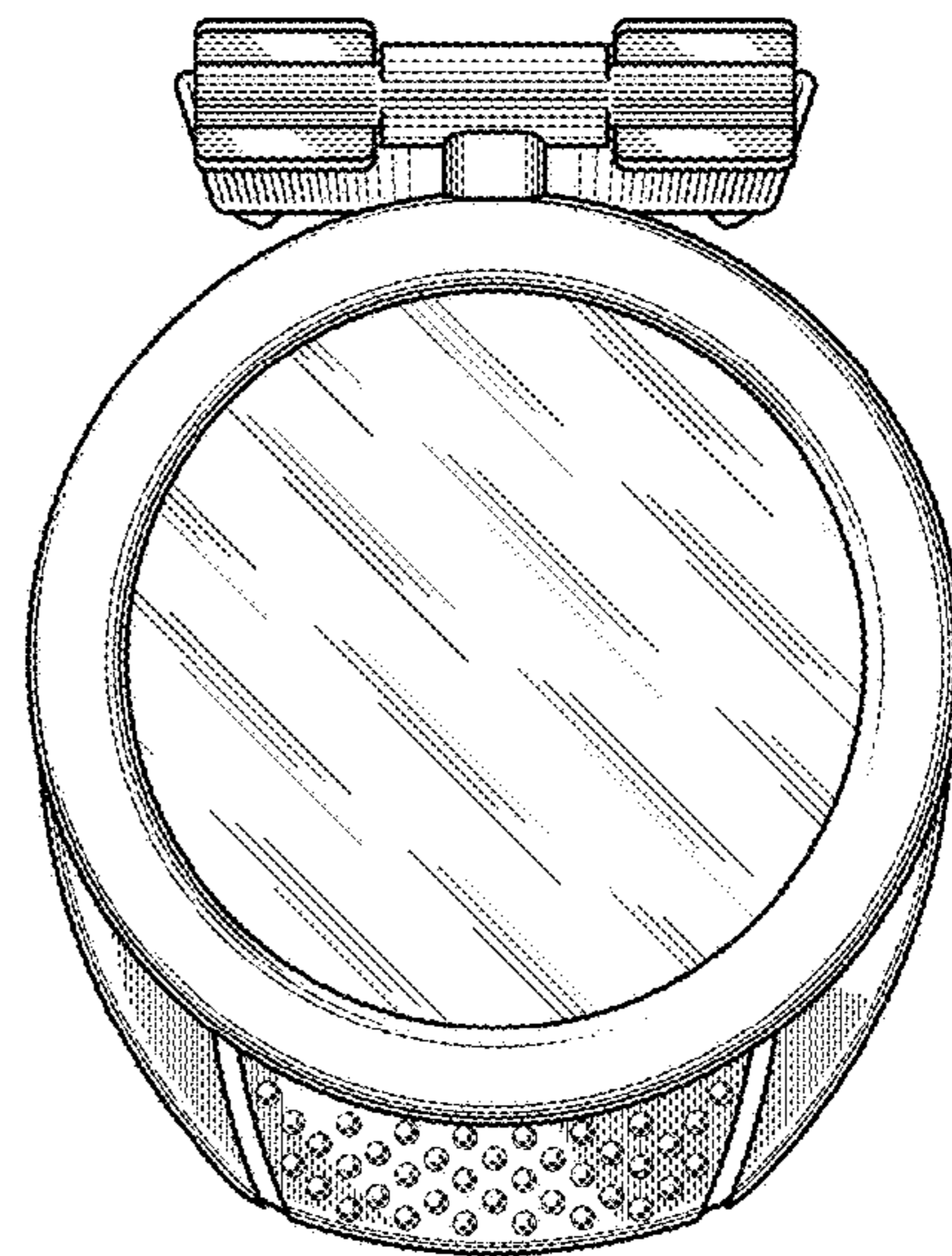


Fig.4

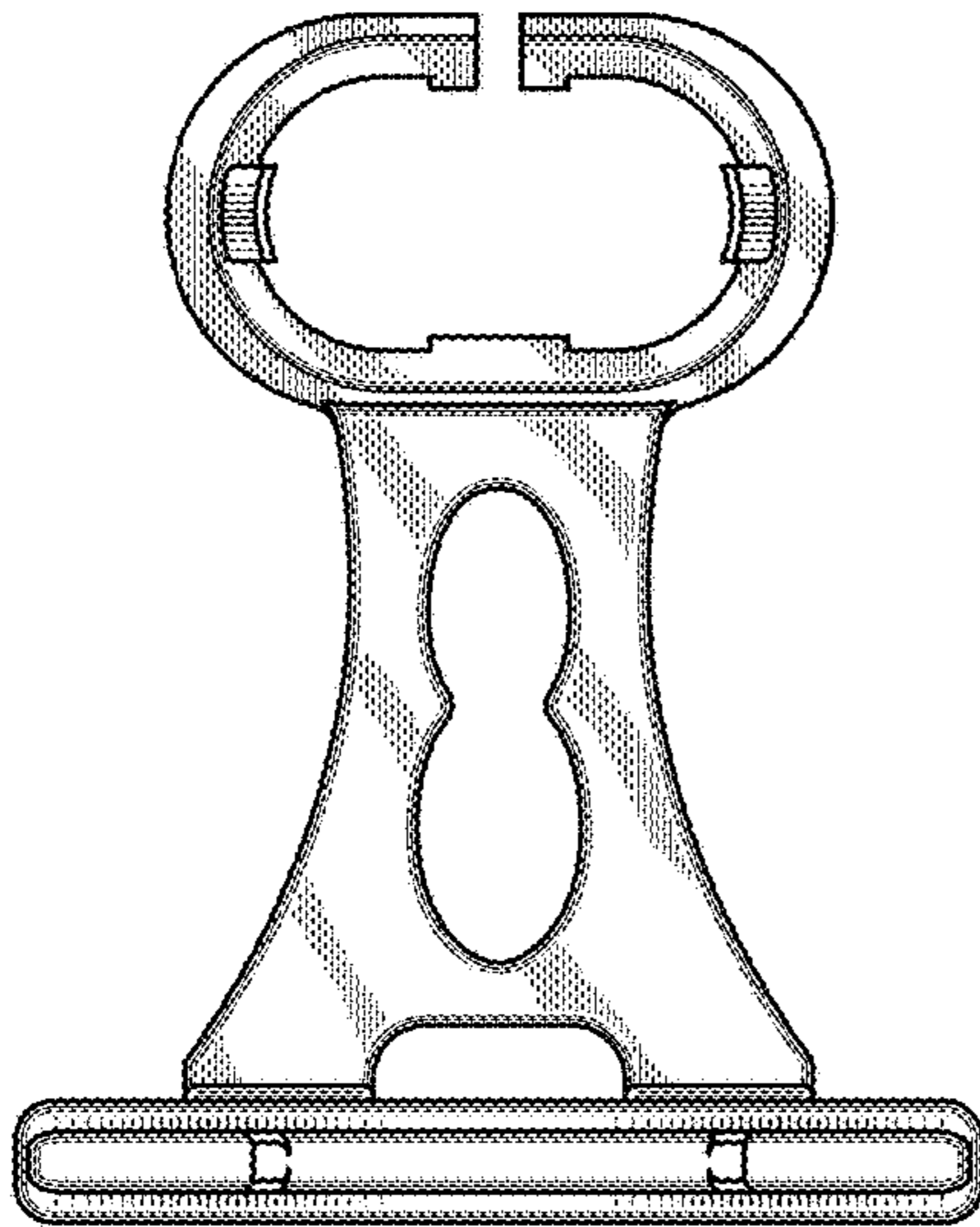


Fig.5

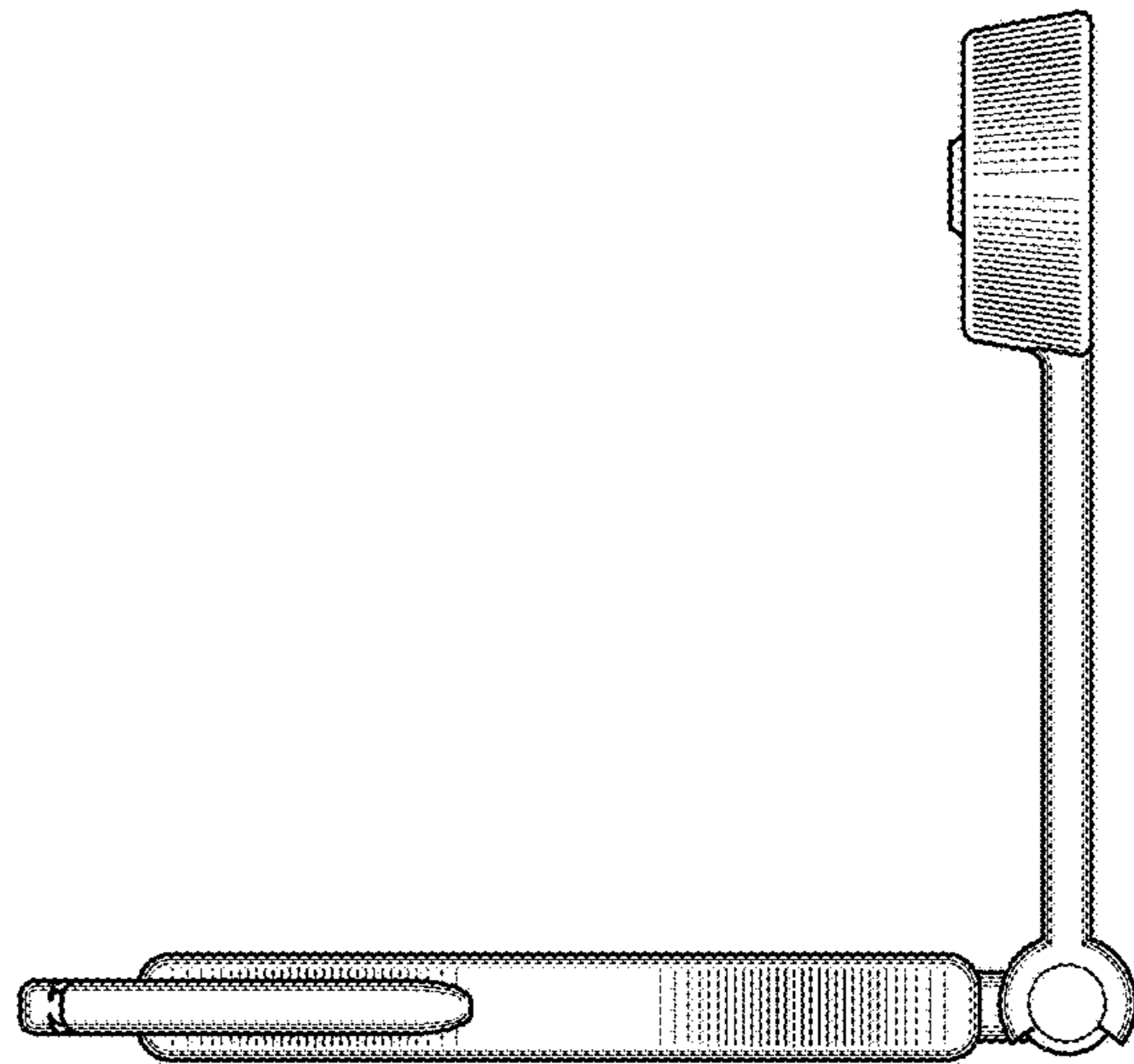


Fig.6

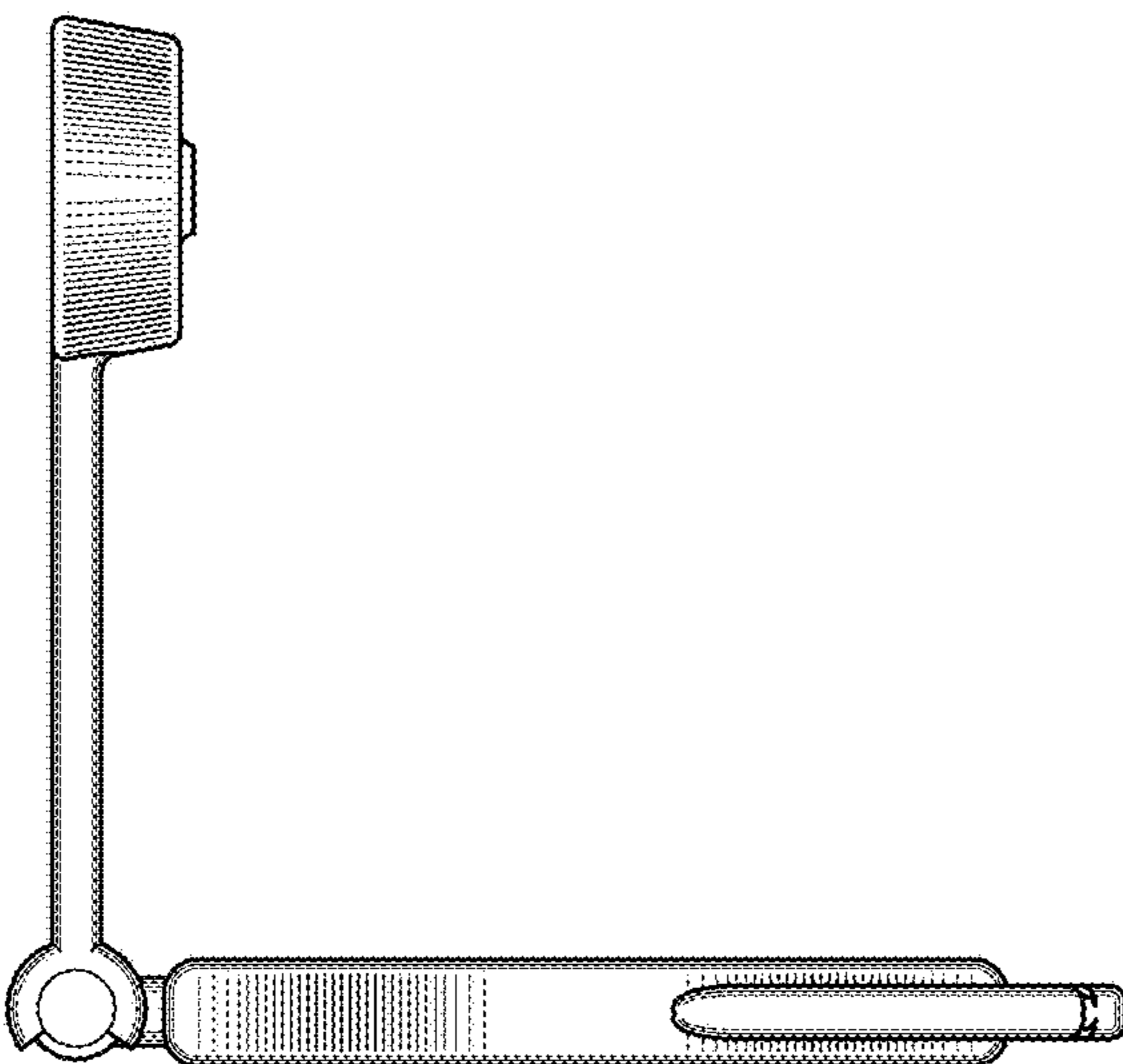


Fig.7

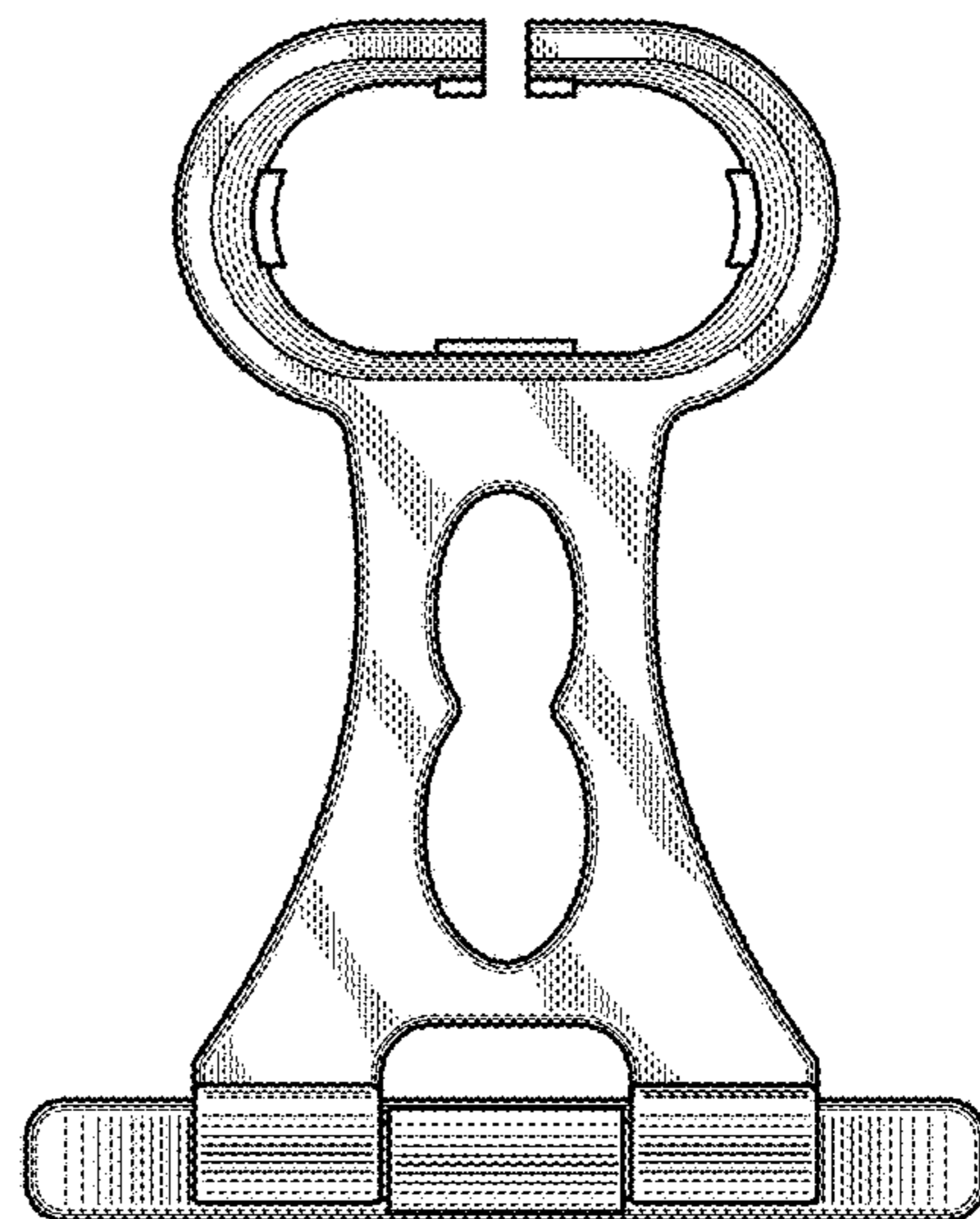


Fig.8