



US00D823365S

(12) **United States Design Patent**
Kan

(10) **Patent No.:** **US D823,365 S**
(45) **Date of Patent:** **** Jul. 17, 2018**

(54) **TIRE REPAIR KIT**

(71) Applicant: **Wong Wai Kan**, Shanghai (CN)

(72) Inventor: **Wong Wai Kan**, Shanghai (CN)

(**) Term: **15 Years**

(21) Appl. No.: **29/599,153**

(22) Filed: **Mar. 31, 2017**

(51) **LOC (11) Cl.** **15-99**

(52) **U.S. Cl.**
USPC **D15/199**

(58) **Field of Classification Search**
USPC D8/105, 499; D15/199
CPC B29C 73/166; B29L 2030/00; B60S 5/046;
B65D 47/36; B66F 3/247; Y10T 29/4973;
Y10T 29/4977; Y10T 137/87169; Y10T
152/10729

See application file for complete search history.

(56) **References Cited**

U.S. PATENT DOCUMENTS

6,964,284	B2 *	11/2005	Eckhardt	B29C 73/166 141/100
D638,867	S *	5/2011	Kojima	D15/199
D638,868	S *	5/2011	Kojima	D15/199
D648,361	S *	11/2011	Eckhardt	D15/199
2003/0024596	A1 *	2/2003	Kojima	B29C 73/166 141/38
2004/0221439	A1 *	11/2004	Villarreal	B66F 3/247 29/407.08
2008/0264540	A1 *	10/2008	Dowel	B29C 73/166 152/509
2009/0050232	A1 *	2/2009	Guan	B29C 73/166 141/38
2009/0139604	A1 *	6/2009	Lolli	B29C 73/166 141/38
2009/0193937	A1 *	8/2009	Steele	B29C 73/166 81/15.2

2010/0024916	A1 *	2/2010	Dyer	B01F 5/0413 141/100
2010/0108185	A1 *	5/2010	Chou	B29C 73/166 141/38
2010/0108187	A1 *	5/2010	Lolli	B29C 73/166 141/38
2010/0206426	A1 *	8/2010	Lolli	B29C 73/166 141/38
2011/0126938	A1 *	6/2011	Eckhardt	B29C 73/166 141/38
2012/0000573	A1 *	1/2012	Chou	B29C 73/166 141/38
2012/0231100	A1 *	9/2012	Chou	B29C 73/166 425/12
2013/0092286	A1 *	4/2013	Chou	B60S 5/04 141/38
2013/0105055	A1 *	5/2013	Chou	B60S 5/043 152/416
2013/0284312	A1 *	10/2013	Chou	B29C 73/166 141/38
2015/0041020	A1 *	2/2015	Marini	B29C 73/166 141/38

(Continued)

Primary Examiner — Patricia A Palasik

(74) *Attorney, Agent, or Firm* — Banner & Witcoff, Ltd.

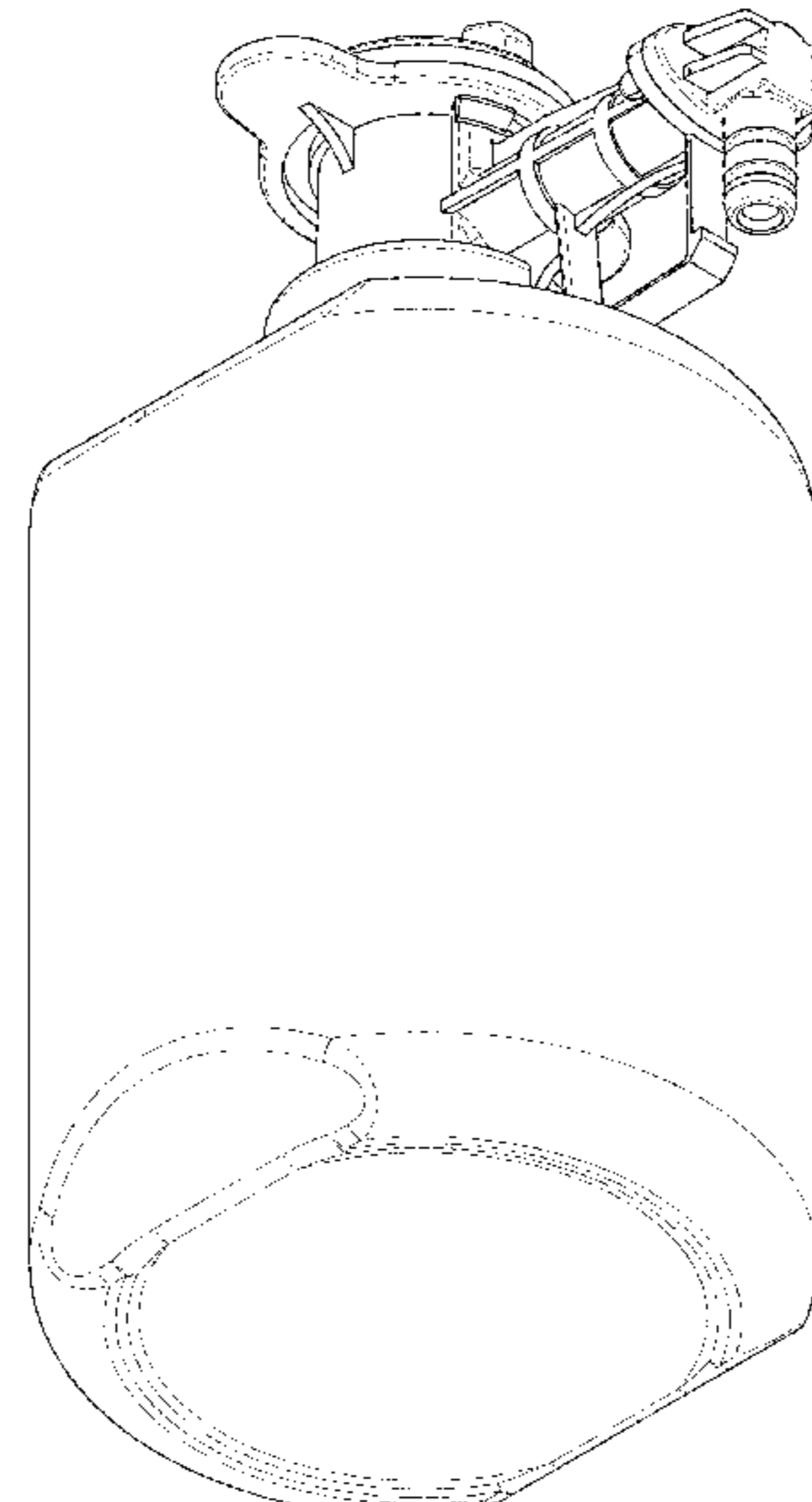
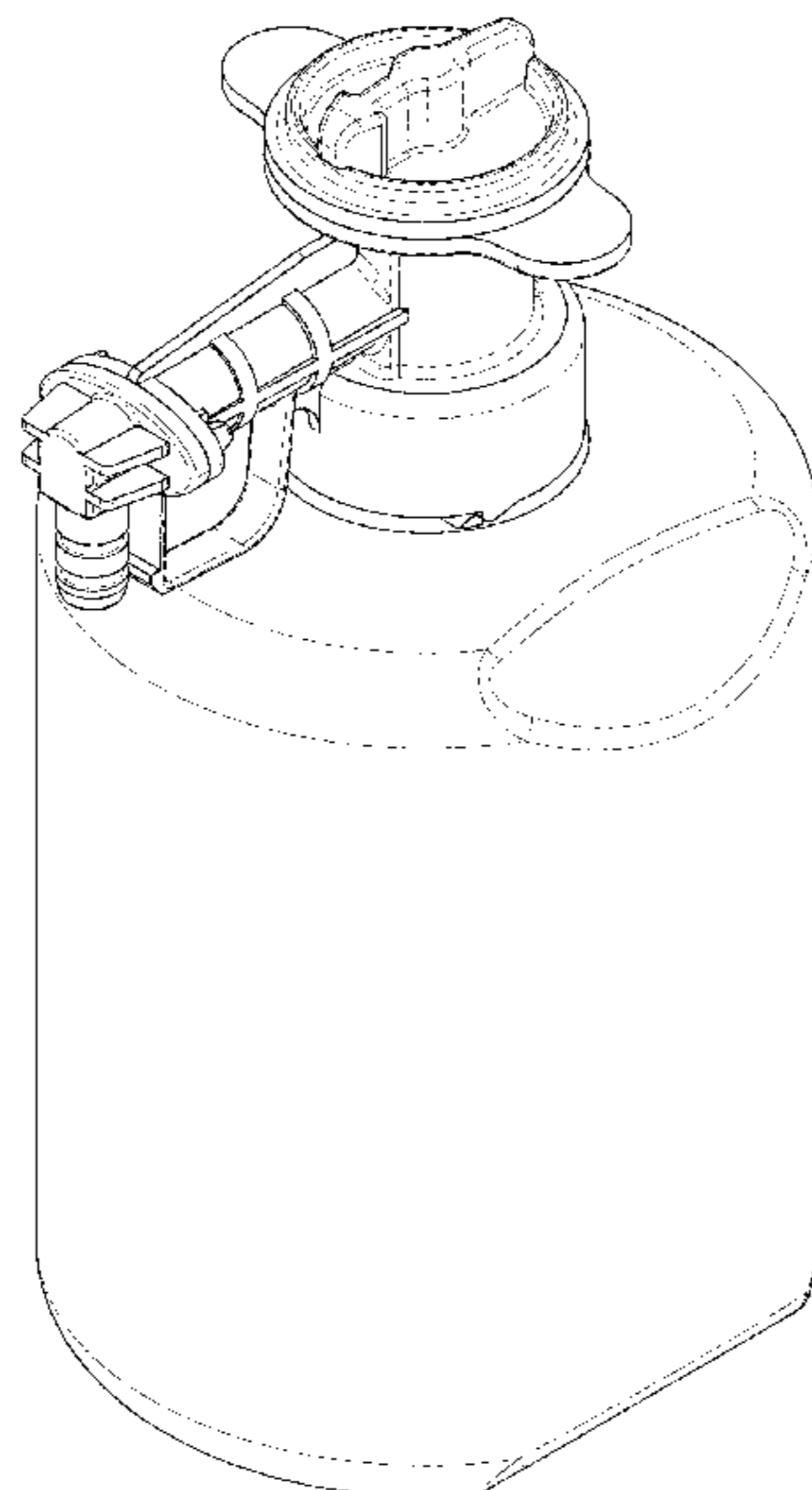
(57) **CLAIM**

The ornamental design for a tire repair kit, as shown and described.

DESCRIPTION

FIG. 1 is a first perspective view of a tire repair kit showing my design;
FIG. 2 is a second perspective view thereof;
FIG. 3 is a front view thereof;
FIG. 4 is a rear view thereof;
FIG. 5 is a left side view thereof;
FIG. 6 is a right side view thereof;
FIG. 7 is a top view thereof; and,
FIG. 8 is a bottom view thereof.

1 Claim, 8 Drawing Sheets



(56)

References Cited

U.S. PATENT DOCUMENTS

2016/0082676 A1* 3/2016 Wang B05B 7/2402
141/38
2016/0121563 A1* 5/2016 Chou B29C 73/166
141/38
2016/0136906 A1* 5/2016 Chou B29C 73/025
141/38
2016/0159017 A1* 6/2016 Chou B29C 73/025
141/38
2016/0271892 A1* 9/2016 Eckhardt B29C 73/166
2017/0313001 A1* 11/2017 Petrelli B29C 73/025

* cited by examiner

Fig. 1

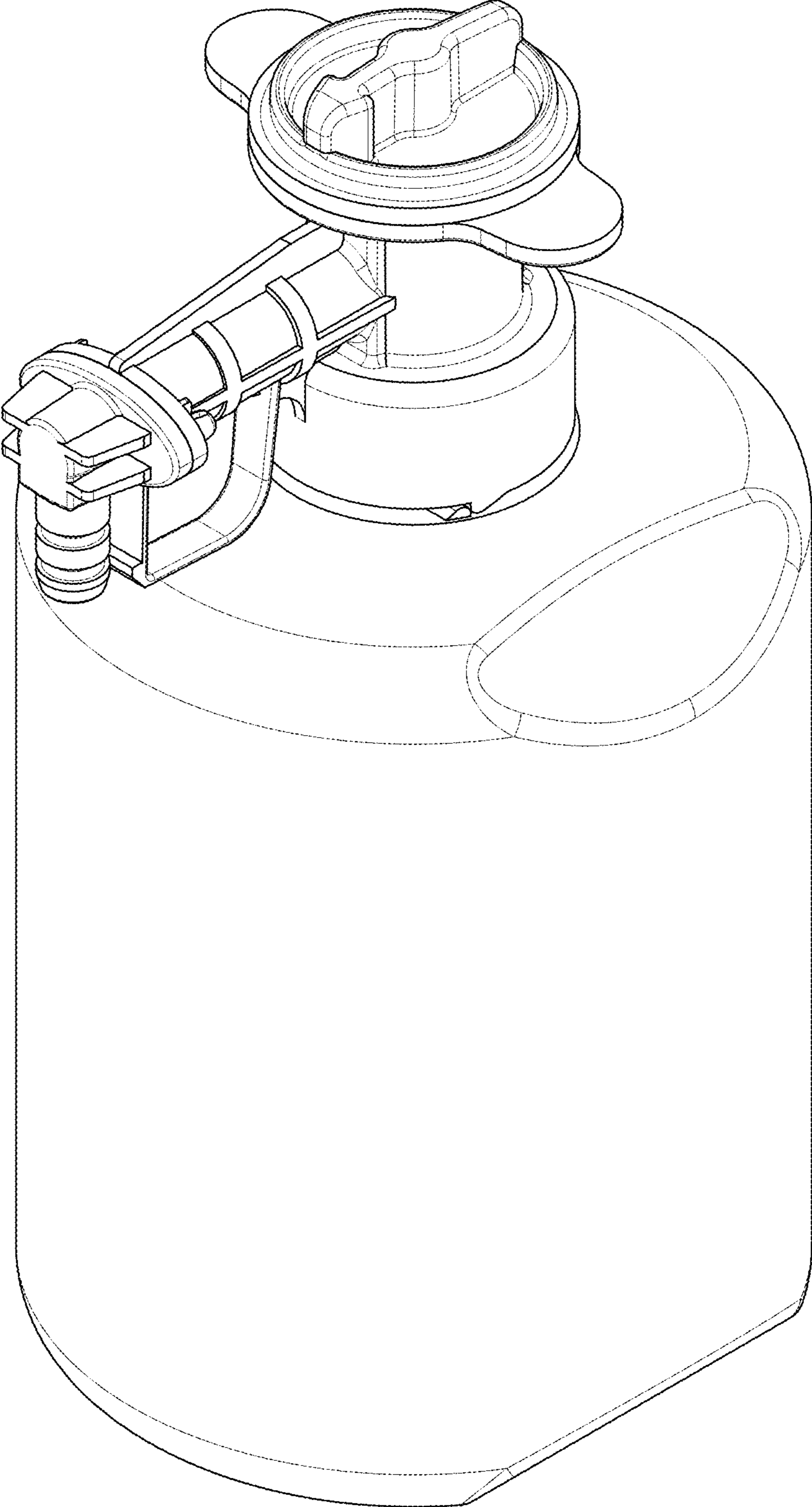


Fig. 2

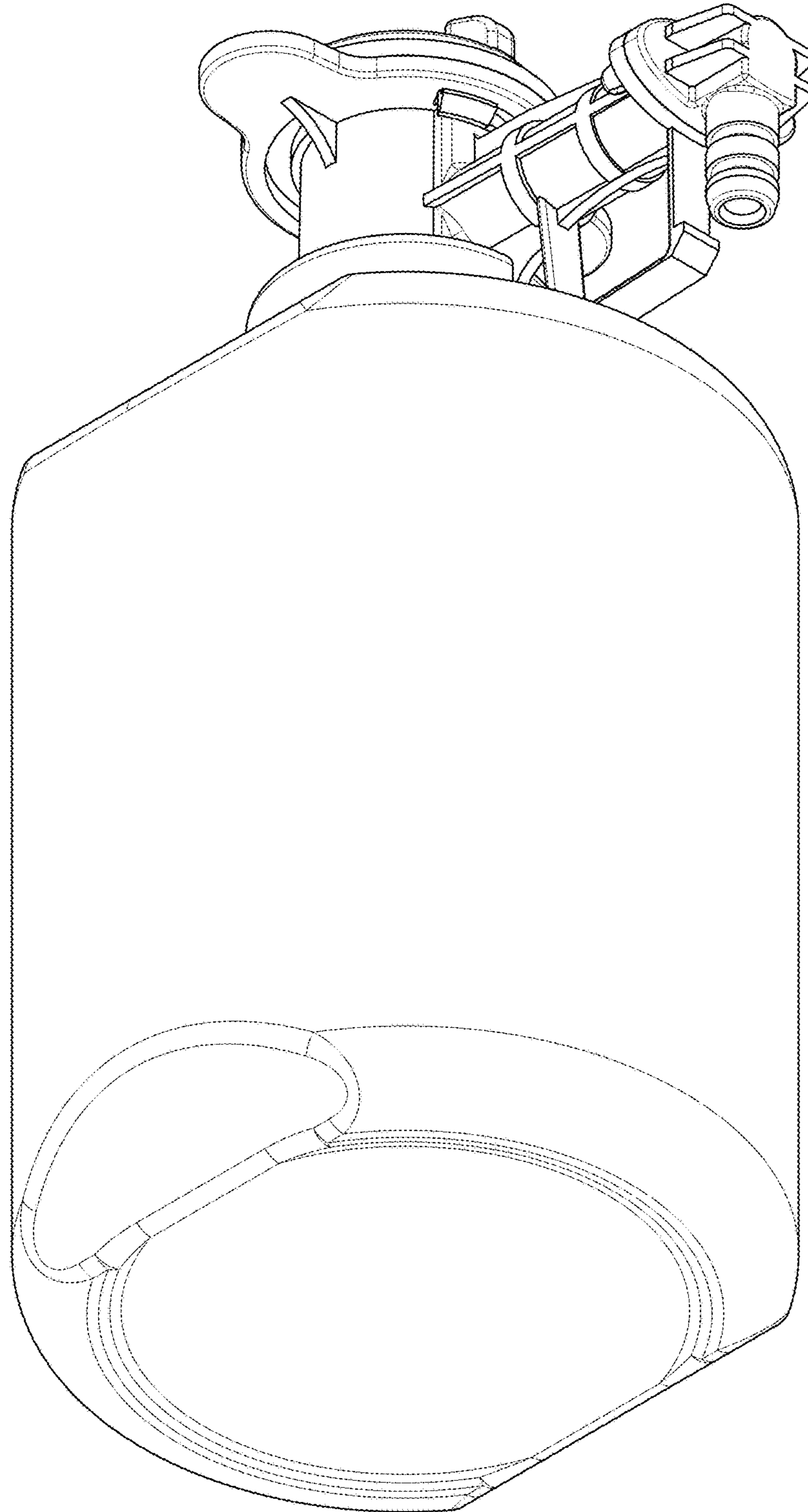


Fig. 3

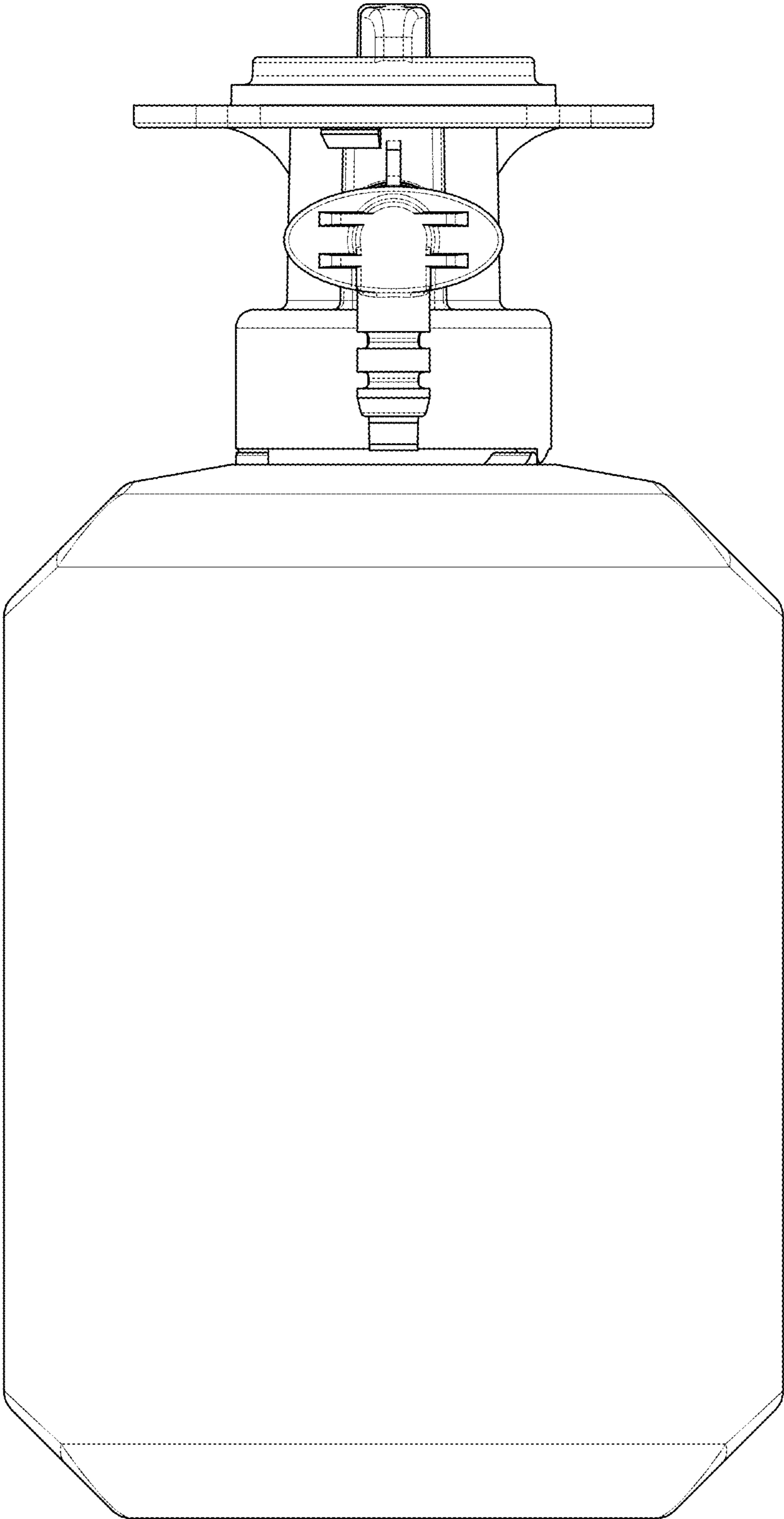


Fig. 4

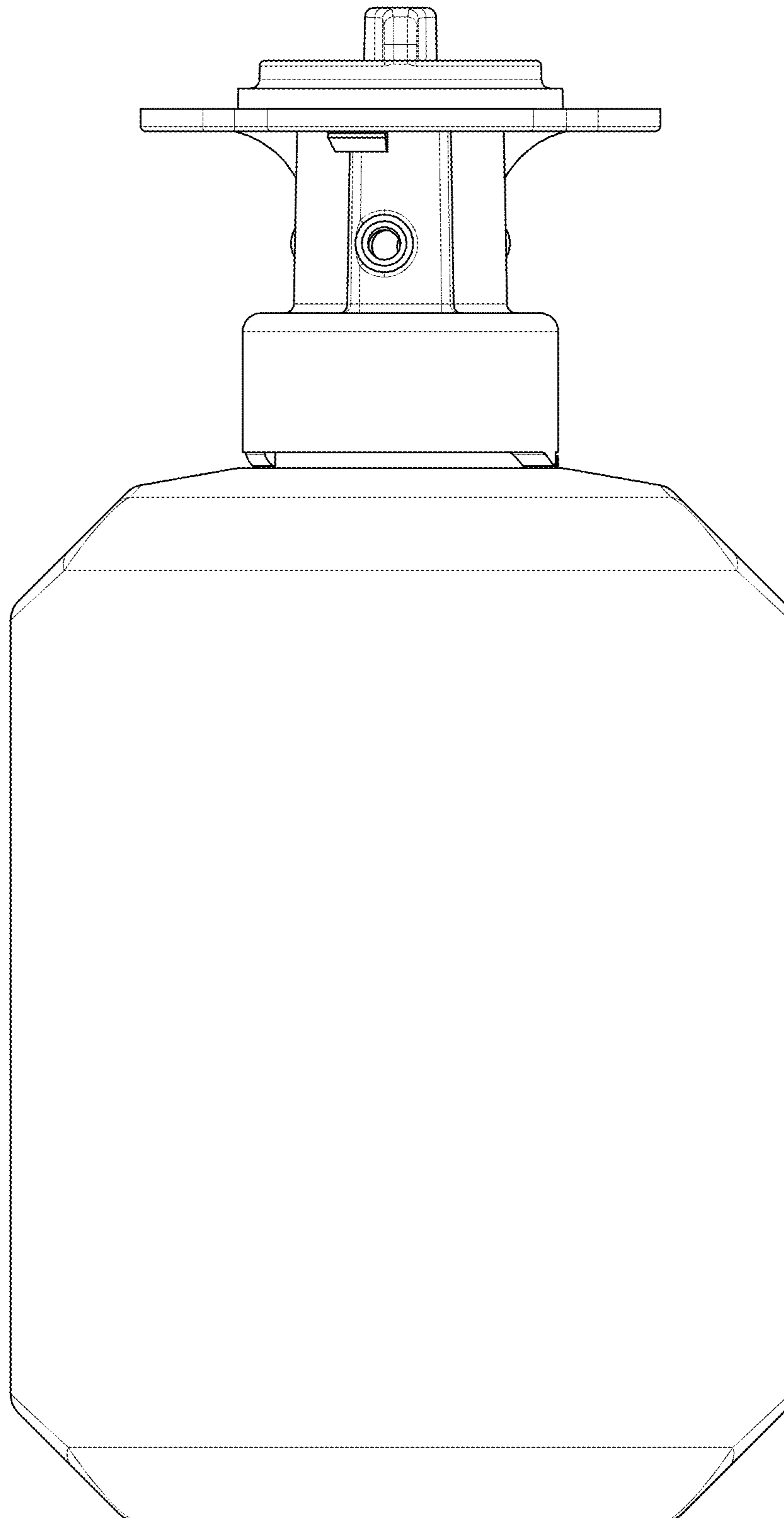


Fig. 5

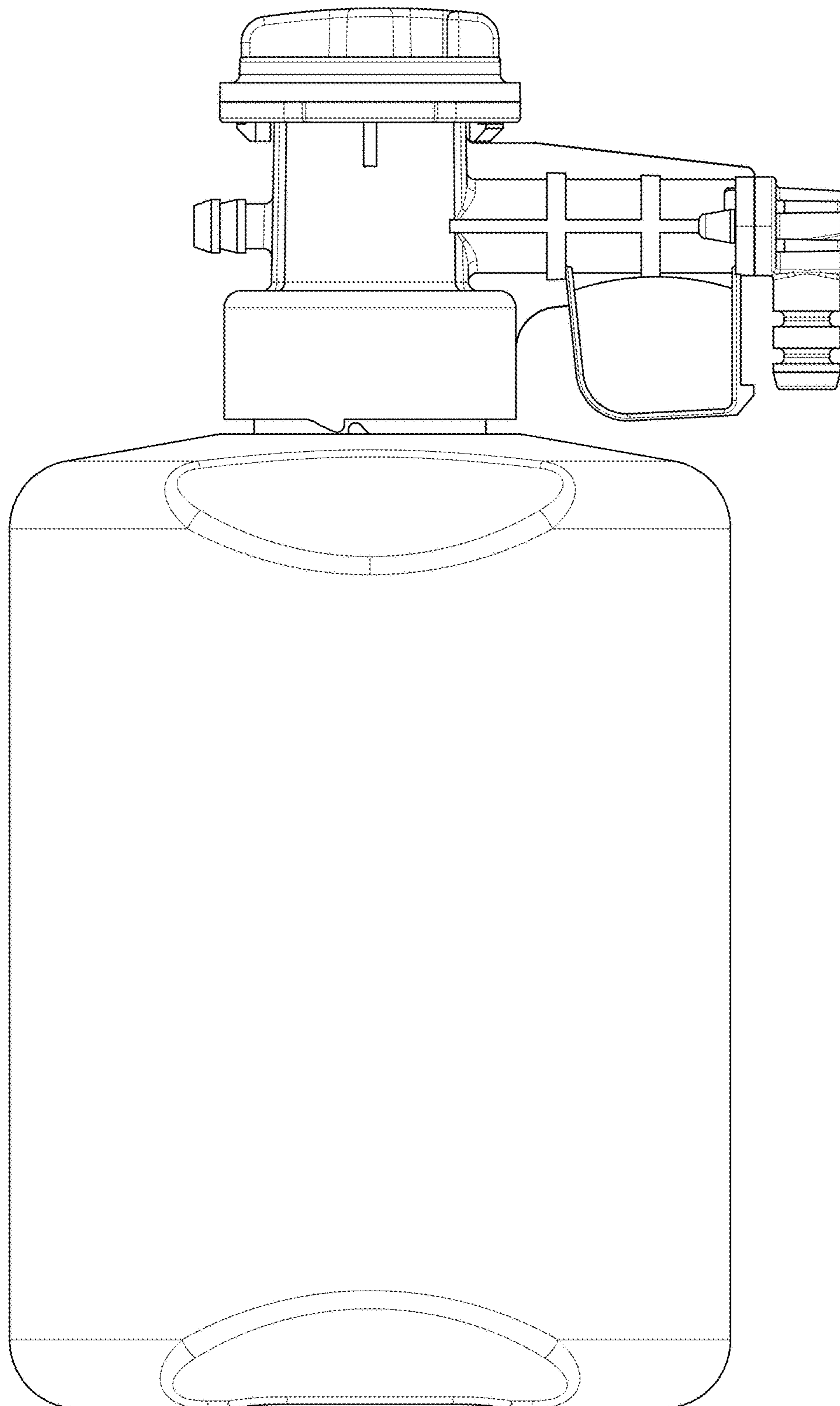


Fig. 6

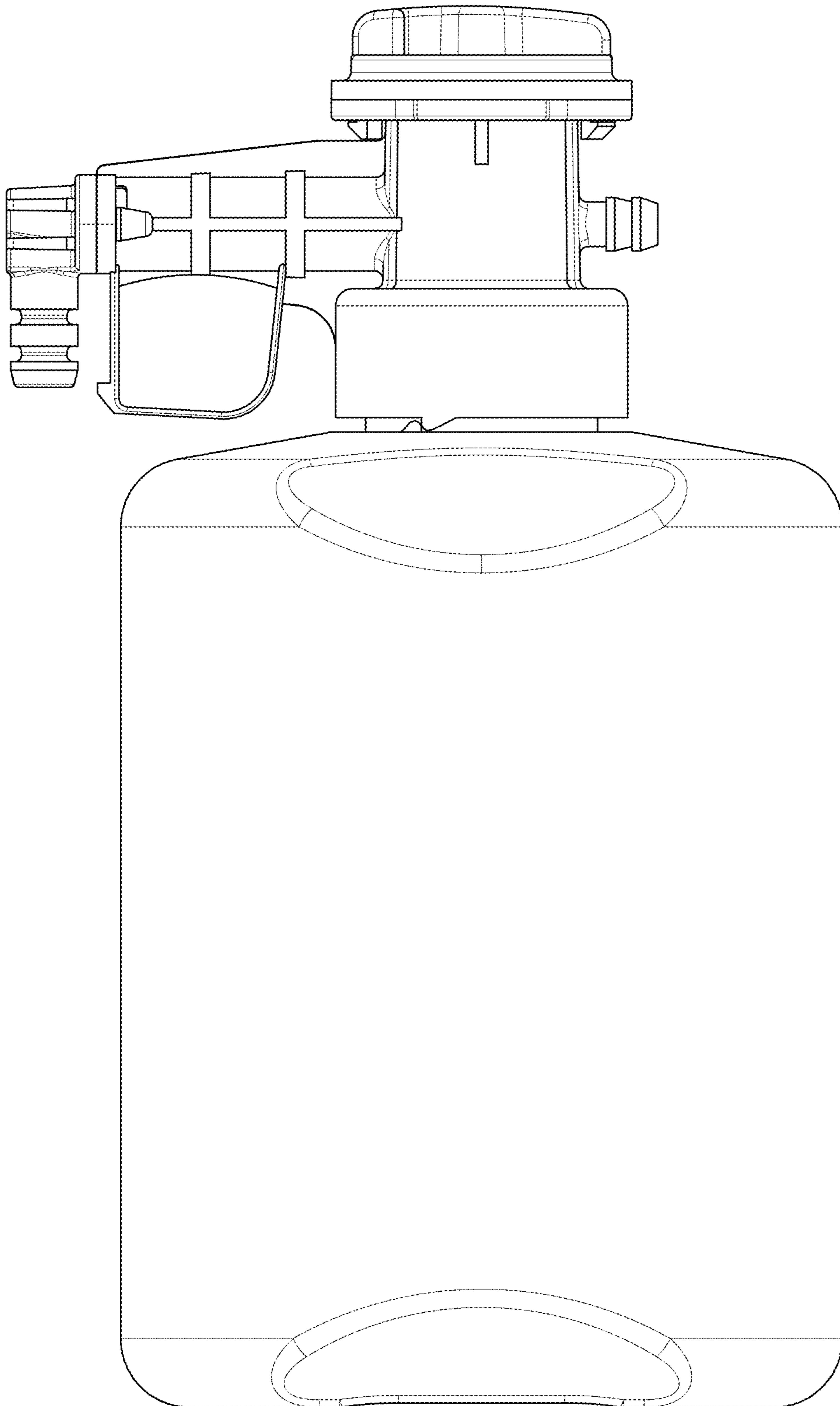


Fig. 7

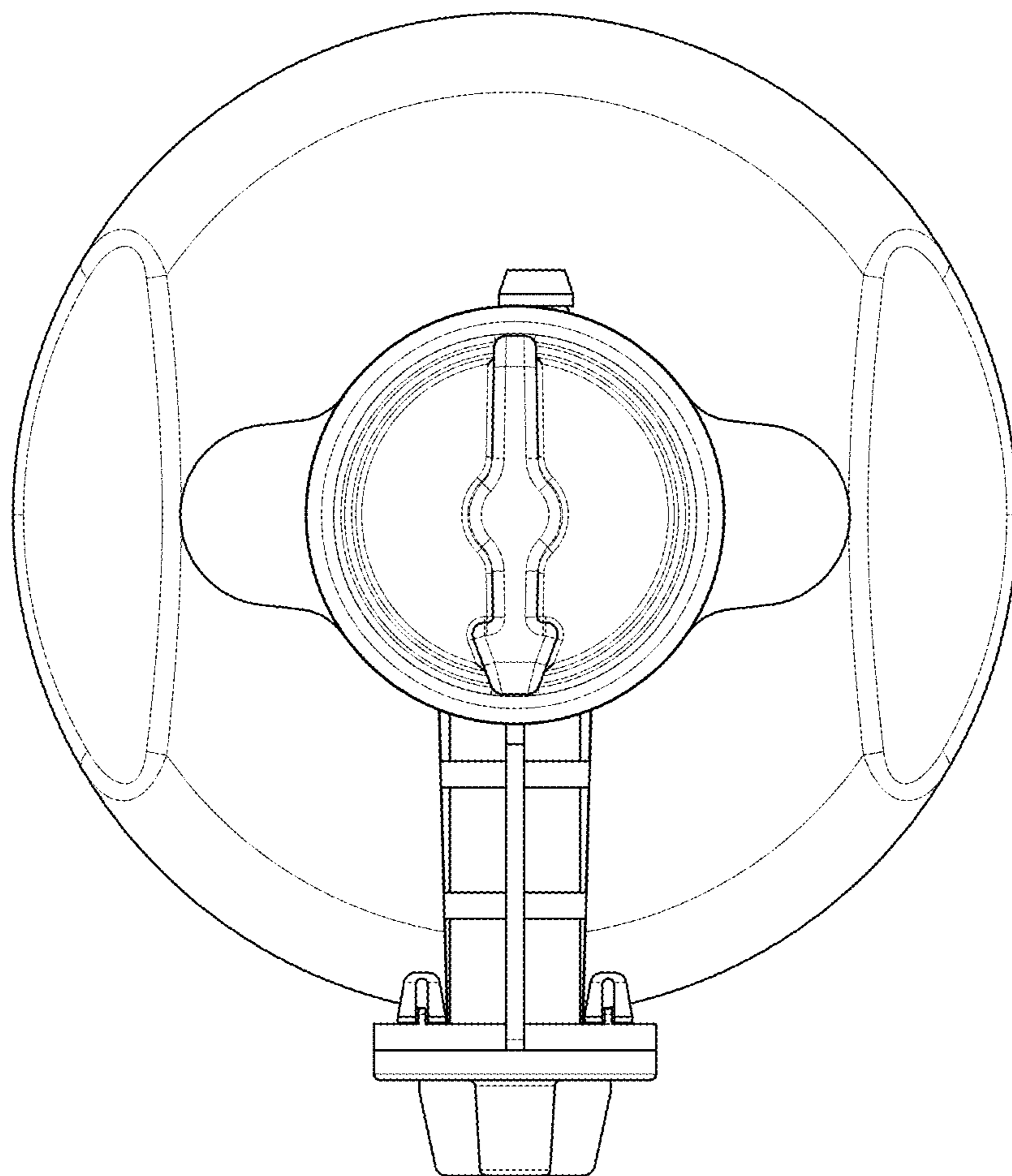


Fig. 8

