



US00D823361S

(12) **United States Design Patent**
Zhang

(10) **Patent No.:** **US D823,361 S**

(45) **Date of Patent:** **** *Jul. 17, 2018**

(54) **WIRE STRIPPER DEVICE**

(71) Applicant: **Xiaozhong Zhang**, Nashua, NH (US)

(72) Inventor: **Xiaozhong Zhang**, Nashua, NH (US)

(*) Notice: This patent is subject to a terminal disclaimer.

(**) Term: **14 Years**

(21) Appl. No.: **29/506,993**

(22) Filed: **Oct. 22, 2014**

(51) **LOC (11) Cl.** **15-09**

(52) **U.S. Cl.**
USPC **D15/127**

(58) **Field of Classification Search**
USPC D15/122, 145-147, 199, 131, 10,
D15/127-129; 81/9.51; 83/947
CPC .. H02G 1/1265; H02G 1/1217; H02G 1/1226;
H02G 1/1248; H02G 1/126; H01B
15/006; Y02W 30/821
See application file for complete search history.

(56) **References Cited**

U.S. PATENT DOCUMENTS

- 2,239,755 A * 4/1941 Montgomery H02G 1/1265
384/609
- D154,715 S * 8/1949 Sigoda D15/127
- 2,827,811 A * 3/1958 Dymeck H02G 1/1265
81/9.51

- 3,172,615 A * 3/1965 Manson B21C 47/265
242/363
- 4,951,530 A * 8/1990 Cross H02G 1/1265
81/9.42
- 5,445,051 A * 8/1995 Carpenter H02G 1/1256
81/9.51
- 5,542,327 A * 8/1996 Schultz H01B 15/006
29/426.4
- 5,797,299 A * 8/1998 Long, Jr. B21F 11/00
29/564.4
- 2003/0015080 A1* 1/2003 Adams H01B 15/006
83/874

* cited by examiner

Primary Examiner — Susan Bennett Hattan

Assistant Examiner — Brett Miller

(74) *Attorney, Agent, or Firm* — Maine Cernota & Rardin

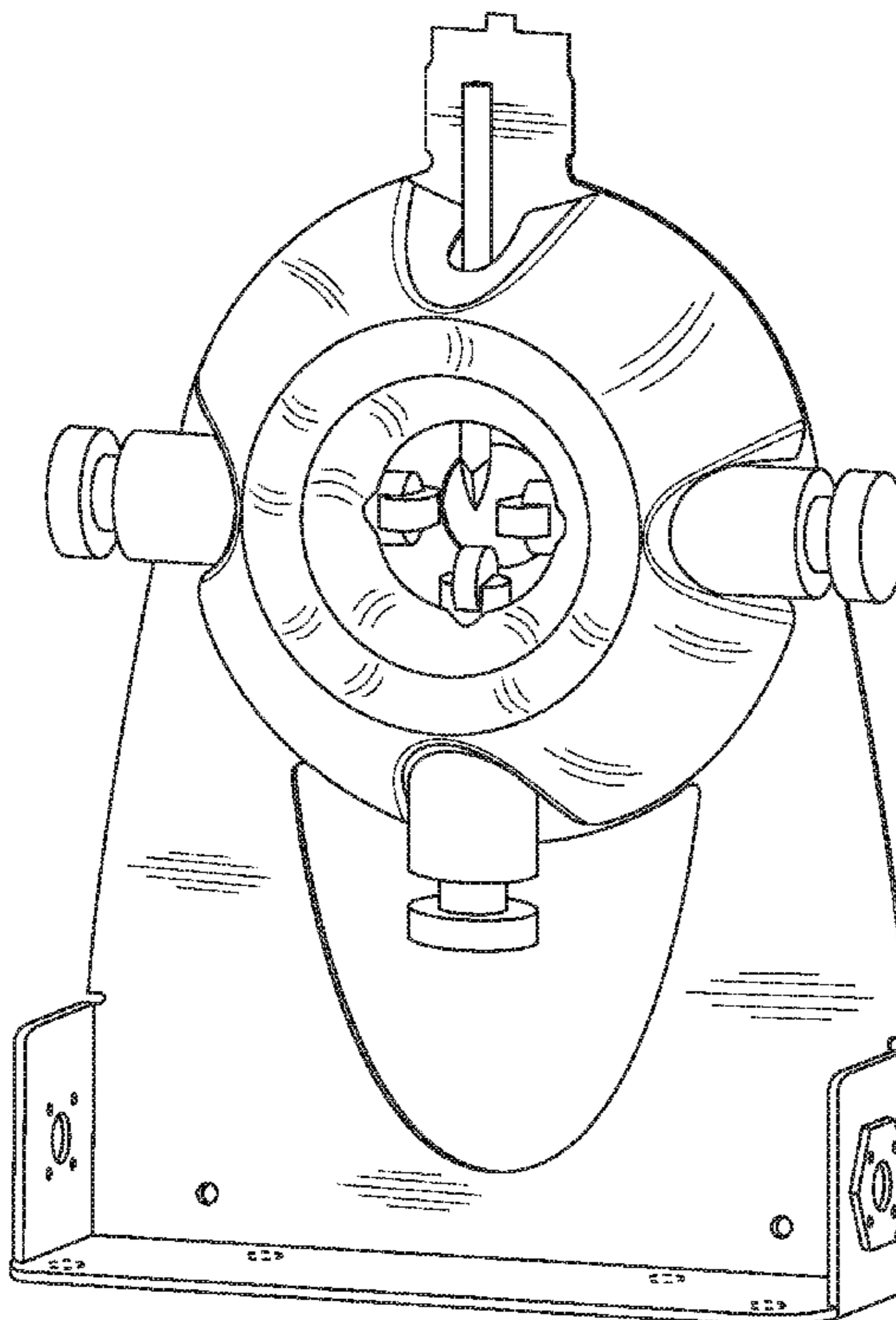
(57) **CLAIM**

The ornamental design for a wire stripper device, as shown and described.

DESCRIPTION

FIG. 1 is a right front perspective view of a wire stripper device showing my new design;
 FIG. 2 is a front elevational view thereof;
 FIG. 3 is a back elevational view thereof;
 FIG. 4 is a left side elevational view thereof;
 FIG. 5 is a right side elevational view thereof; and,
 FIG. 6 is a bottom elevational view thereof.
 The broken lines depict portions of the wire stripper device that form no part of the claim.

1 Claim, 5 Drawing Sheets



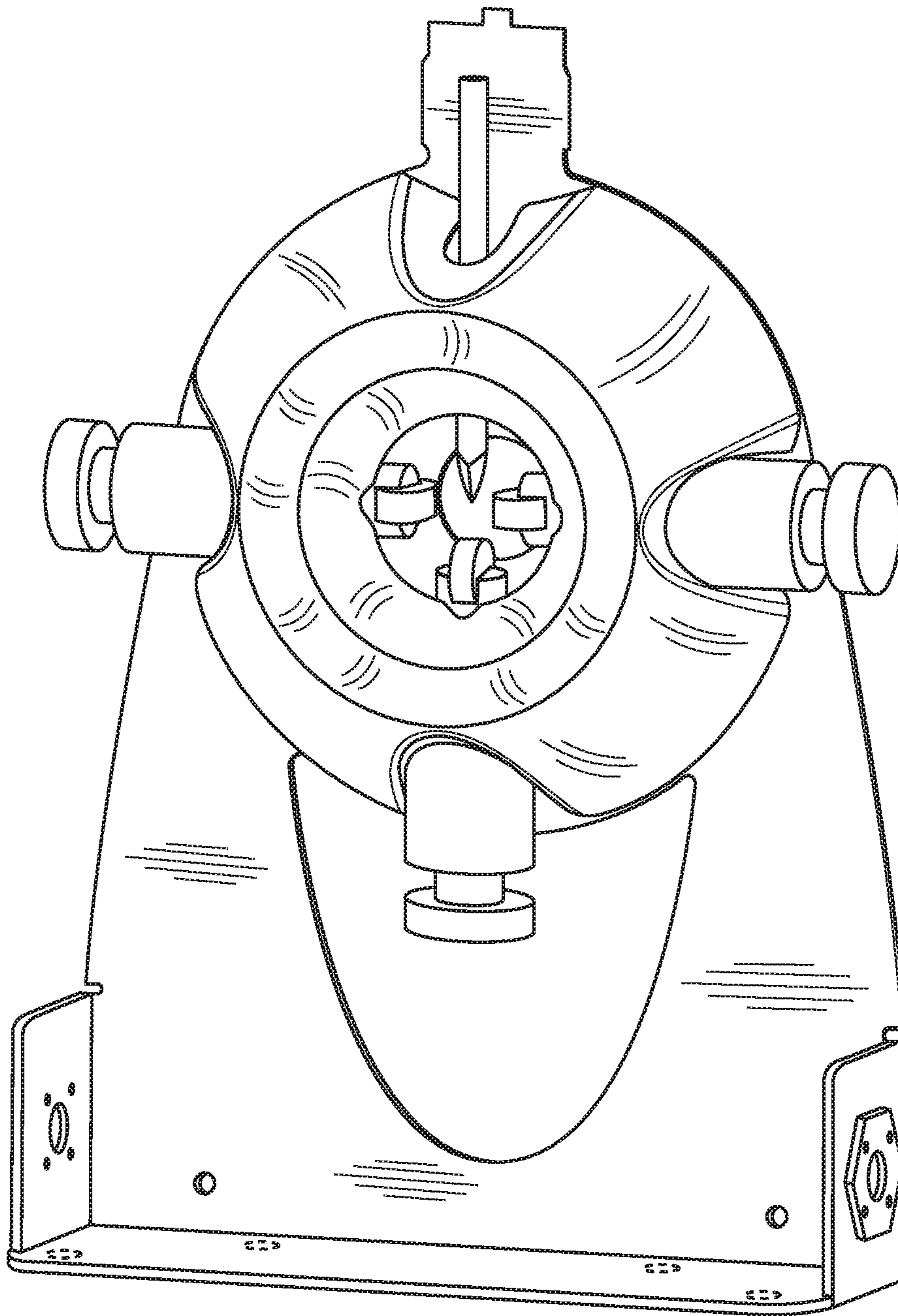


FIG. 1

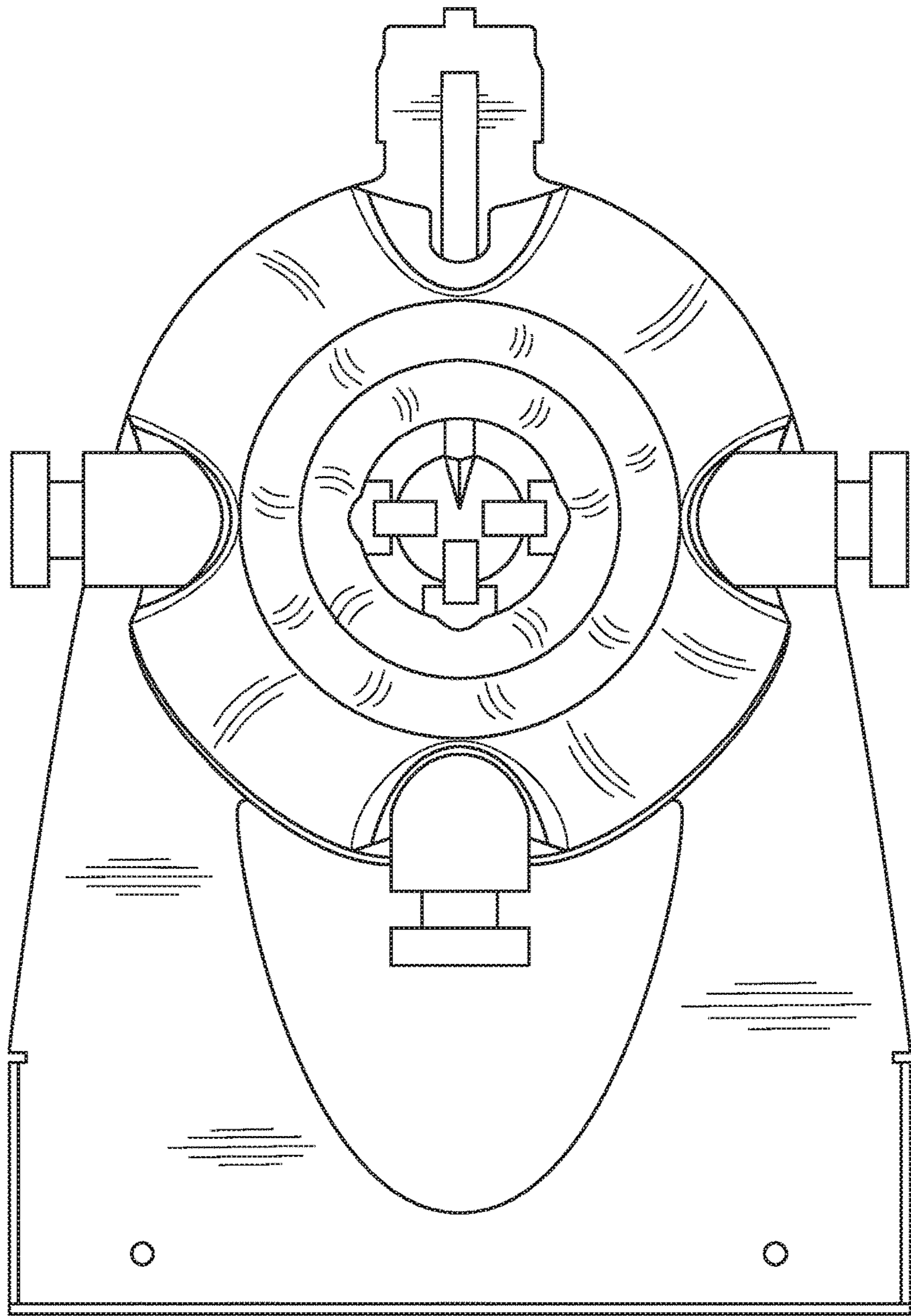


FIG. 2

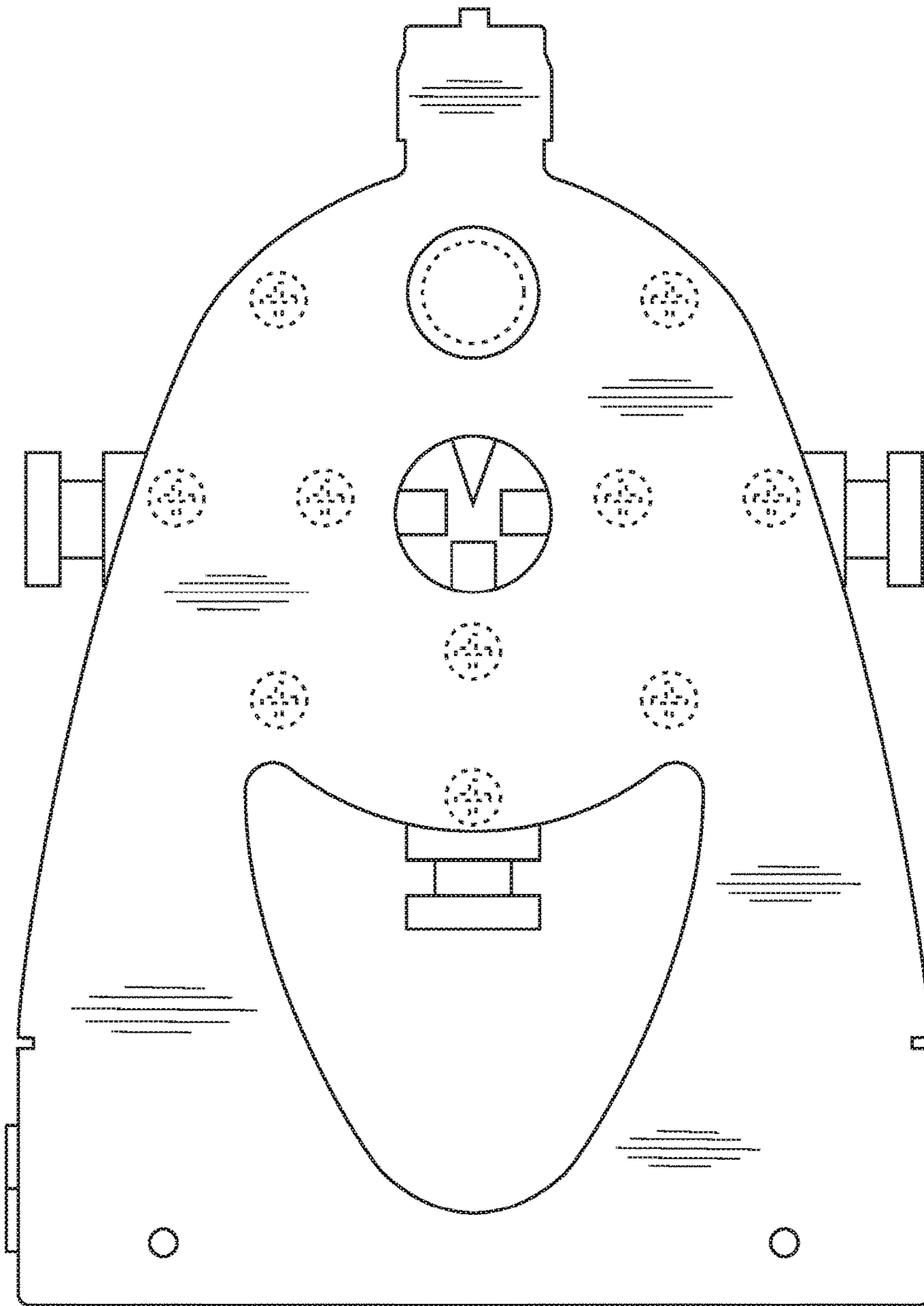


FIG. 3

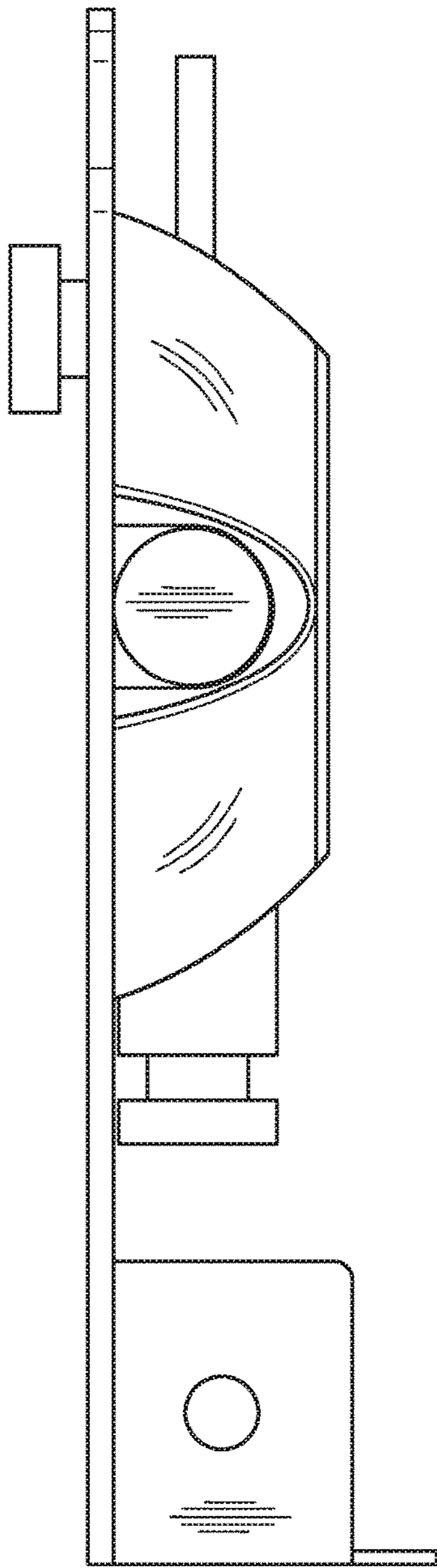


FIG. 4

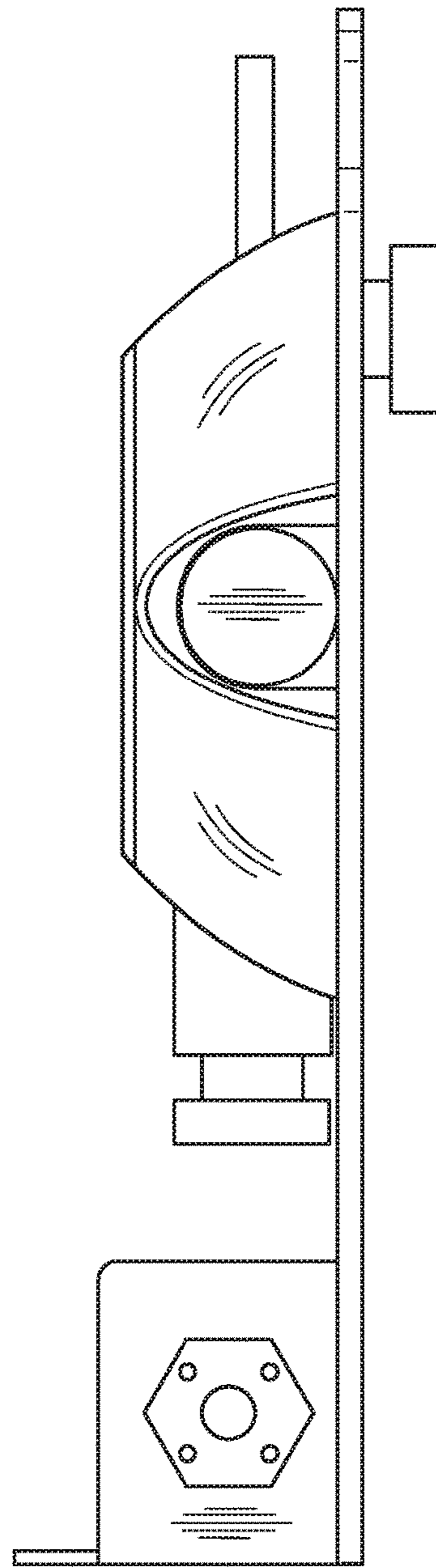


FIG. 5

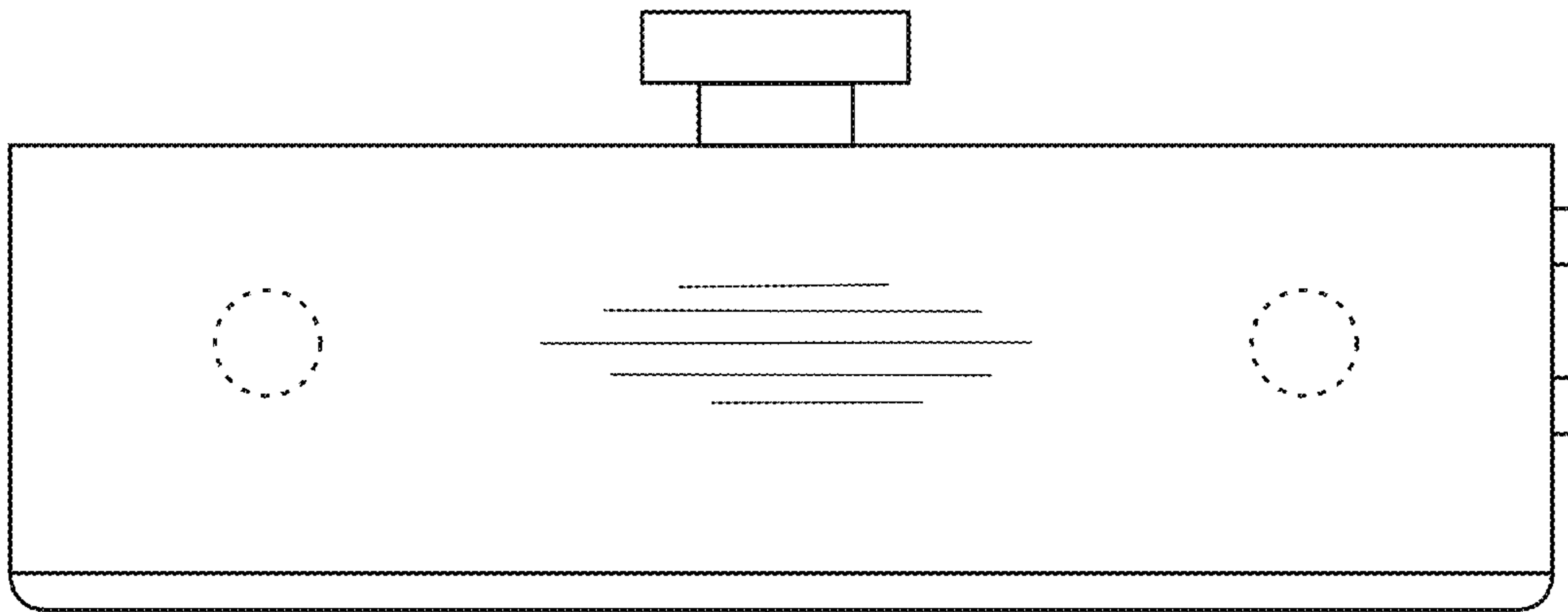


FIG. 6