



US00D823359S

(12) **United States Design Patent**  
**Krebber**

(10) **Patent No.:** **US D823,359 S**  
(45) **Date of Patent:** **\*\* Jul. 17, 2018**

- (54) **SAWING MACHINE**
- (71) Applicant: **KEURO Besitz GmbH & Co.**  
**EDV-Dienstleistungs KG, Achern (DE)**
- (72) Inventor: **Nicole-Desiree Krebber, Baden-Baden (DE)**
- (73) Assignee: **KEURO Besitz GmbH & Co.**  
**EDV-Dienstleistungs KG, Achern (DE)**
- (\*\*) Term: **15 Years**
- (21) Appl. No.: **29/562,833**
- (22) Filed: **Apr. 29, 2016**

- D336,749 S \* 6/1993 Lenard ..... D15/127
- 5,410,119 A \* 4/1995 Lehmann ..... B23H 7/02  
219/69.12
- 5,765,460 A \* 6/1998 Wathieu ..... B23D 36/005  
83/311
- D415,175 S \* 10/1999 Lin ..... D15/122
- D523,037 S \* 6/2006 Kaser ..... D15/133
- D544,003 S \* 6/2007 Inaba ..... D15/127
- D557,295 S \* 12/2007 Formanek ..... D15/127
- D592,686 S \* 5/2009 Schmitz ..... D15/131
- D604,344 S \* 11/2009 Weingart ..... D15/124
- D608,799 S \* 1/2010 Tokiwa ..... D15/134
- 7,770,575 B2 \* 8/2010 Brocco ..... B23D 57/0023  
125/21
- D633,115 S \* 2/2011 Brown ..... D15/127
- D649,174 S \* 11/2011 Schindler ..... D15/127
- D649,567 S \* 11/2011 Schindler ..... D15/127

(Continued)

**Related U.S. Application Data**

- (63) Continuation of application No. 29/508,571, filed on Nov. 7, 2014.

**Foreign Application Priority Data**

- May 7, 2014 (EM) ..... 002459024-01-10

- (51) **LOC (11) Cl.** ..... **15-09**

- (52) **U.S. Cl.**  
USPC ..... **D15/122; D15/133**

- (58) **Field of Classification Search**  
USPC ..... D15/122, 144, 144.1, 144.2, 127, 133  
CPC ... B23D 47/042; B23D 55/043; B23D 59/001  
See application file for complete search history.

**References Cited**

**U.S. PATENT DOCUMENTS**

- D137,389 S \* 2/1944 Spiller ..... D15/129
- D198,995 S \* 8/1964 Charles ..... D15/129
- D199,864 S \* 12/1964 Schreckengost ..... D18/34.3
- D274,335 S \* 6/1984 Jenkins ..... D15/128
- D280,904 S \* 10/1985 Kruse ..... D15/129
- D331,066 S \* 11/1992 Englert ..... D15/122

**OTHER PUBLICATIONS**

Known prior—OMADA, Metallkraft, and others. (Jan. 1, 2013).

*Primary Examiner* — Patricia A Palasik

(74) *Attorney, Agent, or Firm* — Volpe and Koenig, P.C.

(57) **CLAIM**

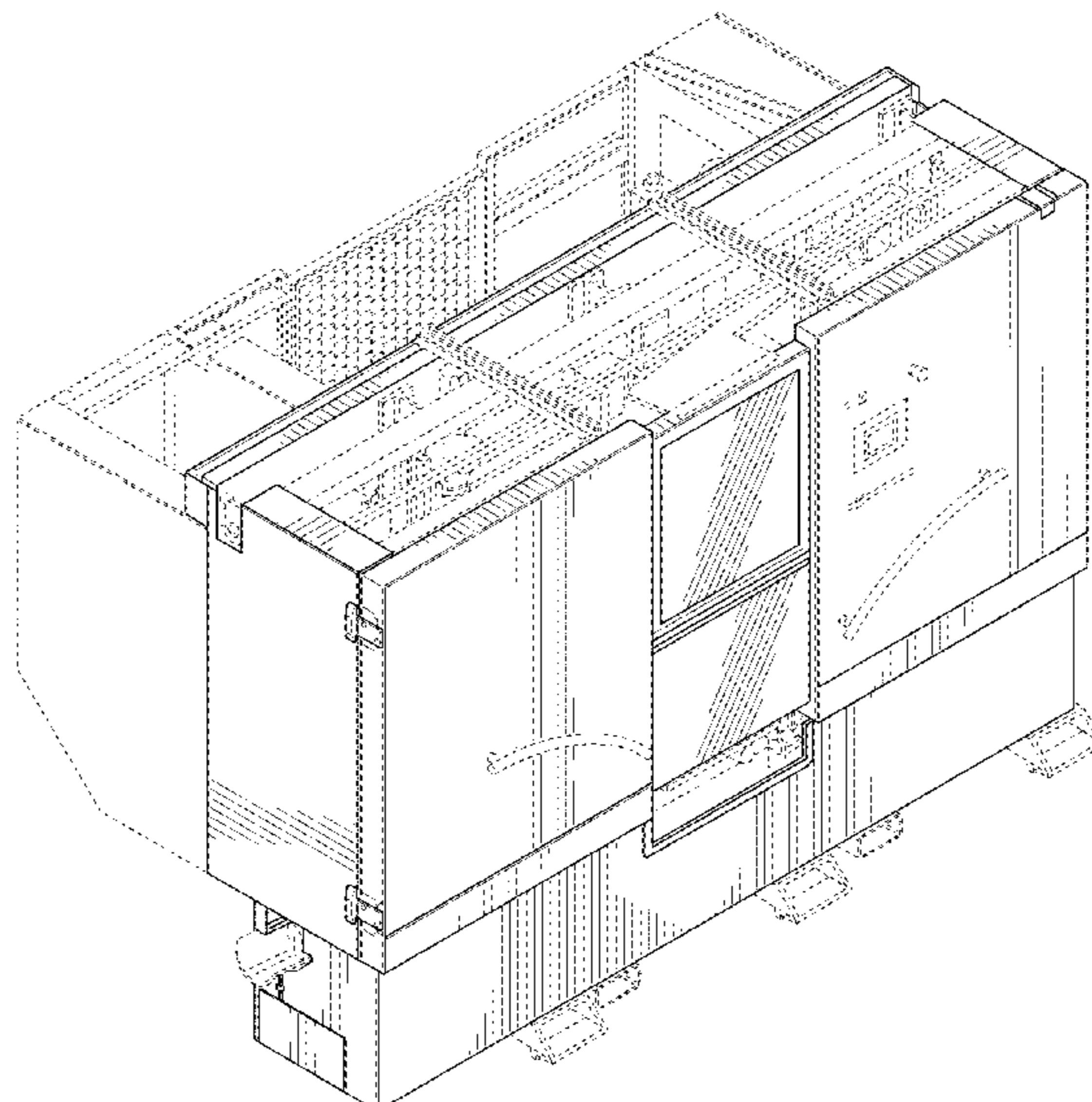
The ornamental design for a sawing machine, as shown and described.

**DESCRIPTION**

FIG. 1 is a top, front, left perspective view of a sawing machine in accordance with my design;  
 FIG. 2 is a front elevational view thereof;  
 FIG. 3 is a rear elevational view thereof;  
 FIG. 4 is a left side elevational view thereof;  
 FIG. 5 is a right side elevational view thereof;  
 FIG. 6 is a top plan view thereof; and,  
 FIG. 7 is a bottom view thereof.

The broken lines in the drawings depict unclaimed environmental subject matter.

**1 Claim, 7 Drawing Sheets**



(56)

**References Cited**

U.S. PATENT DOCUMENTS

D681,699	S *	5/2013	Lin	.....	D15/122
D694,787	S *	12/2013	Mueller	.....	D15/122
D701,250	S *	3/2014	Thoma	.....	D15/127
D701,251	S *	3/2014	Thoma	.....	D15/127
D701,253	S *	3/2014	Thoma	.....	D15/127
D718,795	S *	12/2014	Schonherr	.....	D15/122
D726,789	S *	4/2015	Schmid	.....	D15/122
D734,787	S *	7/2015	Schonherr	.....	D15/122
9,089,912	B2 *	7/2015	Chiao	.....	B25B 1/2489
2005/0005750	A1 *	1/2005	Lin	.....	B23D 23/00
					83/167
2015/0321275	A1 *	11/2015	Stolzer	.....	B23D 55/043
					83/367

\* cited by examiner

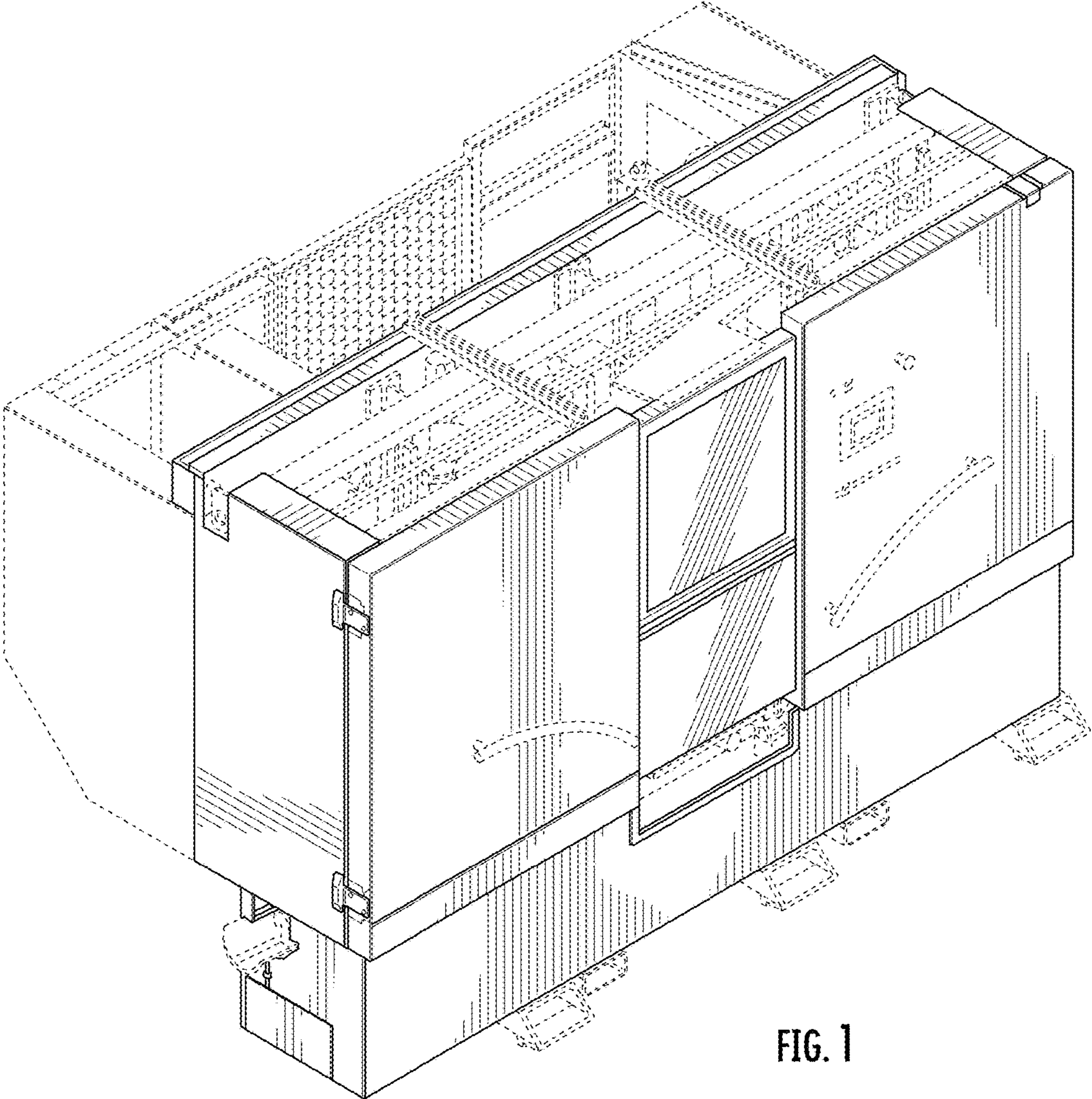
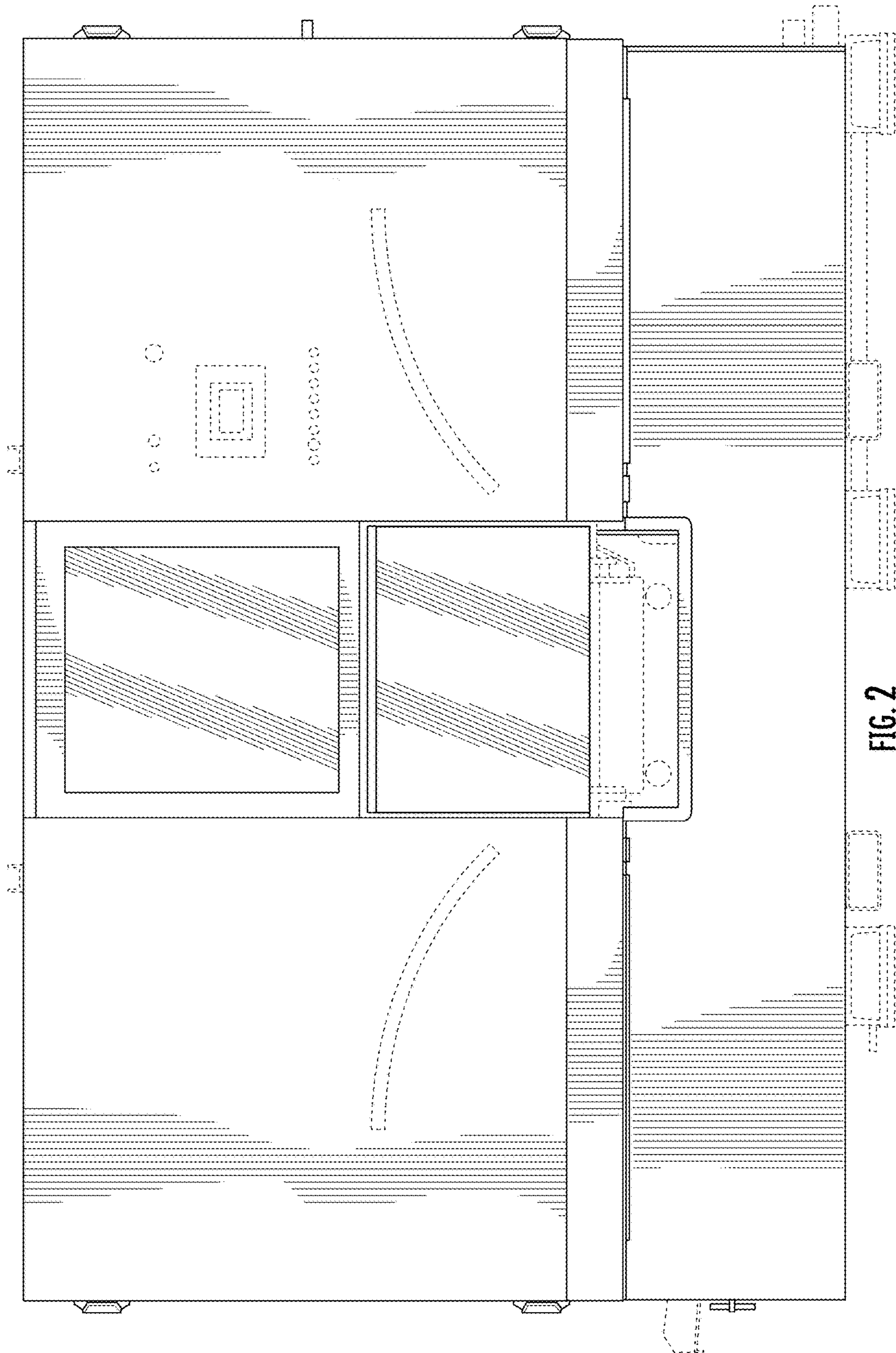
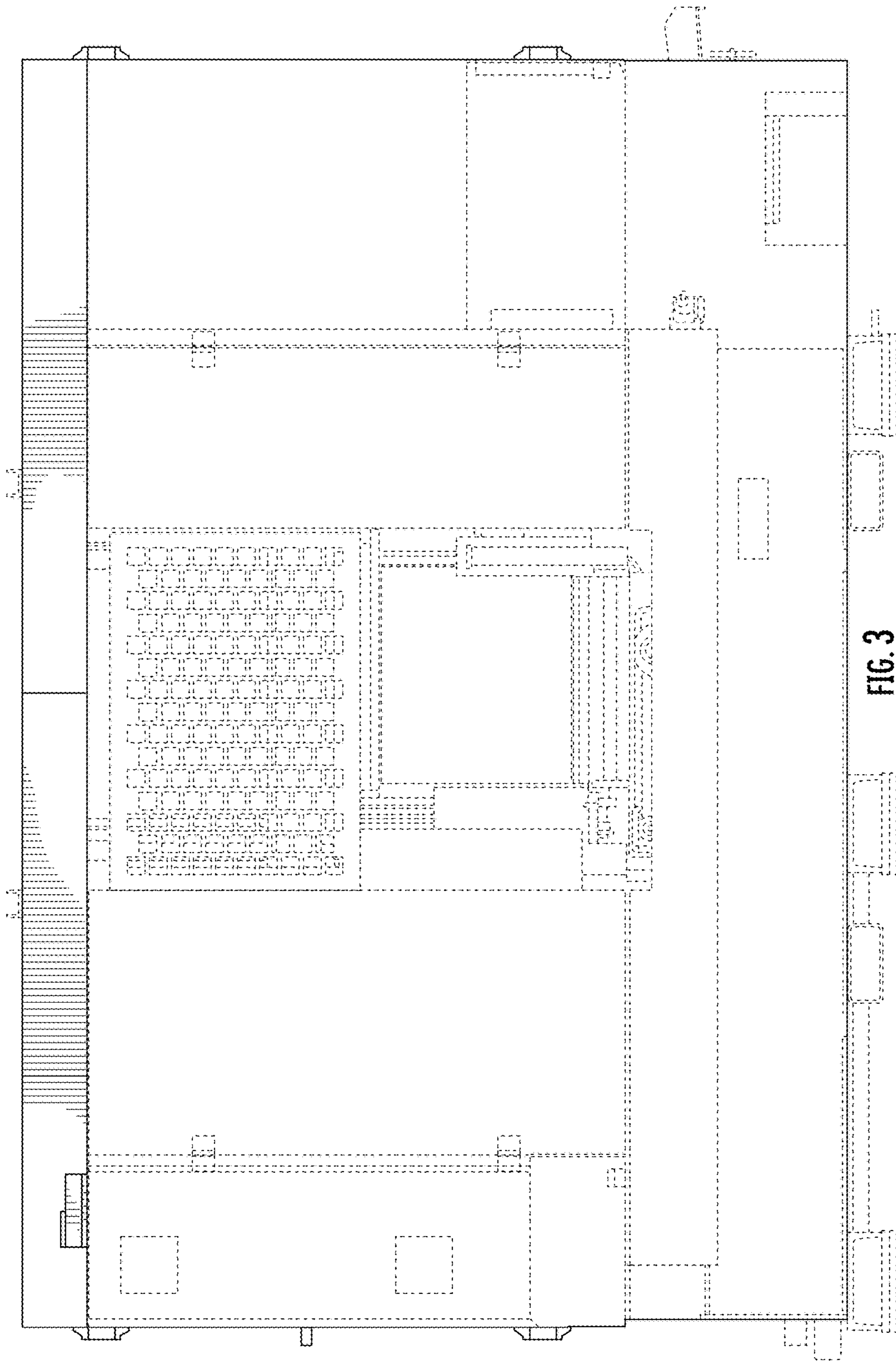


FIG. 1





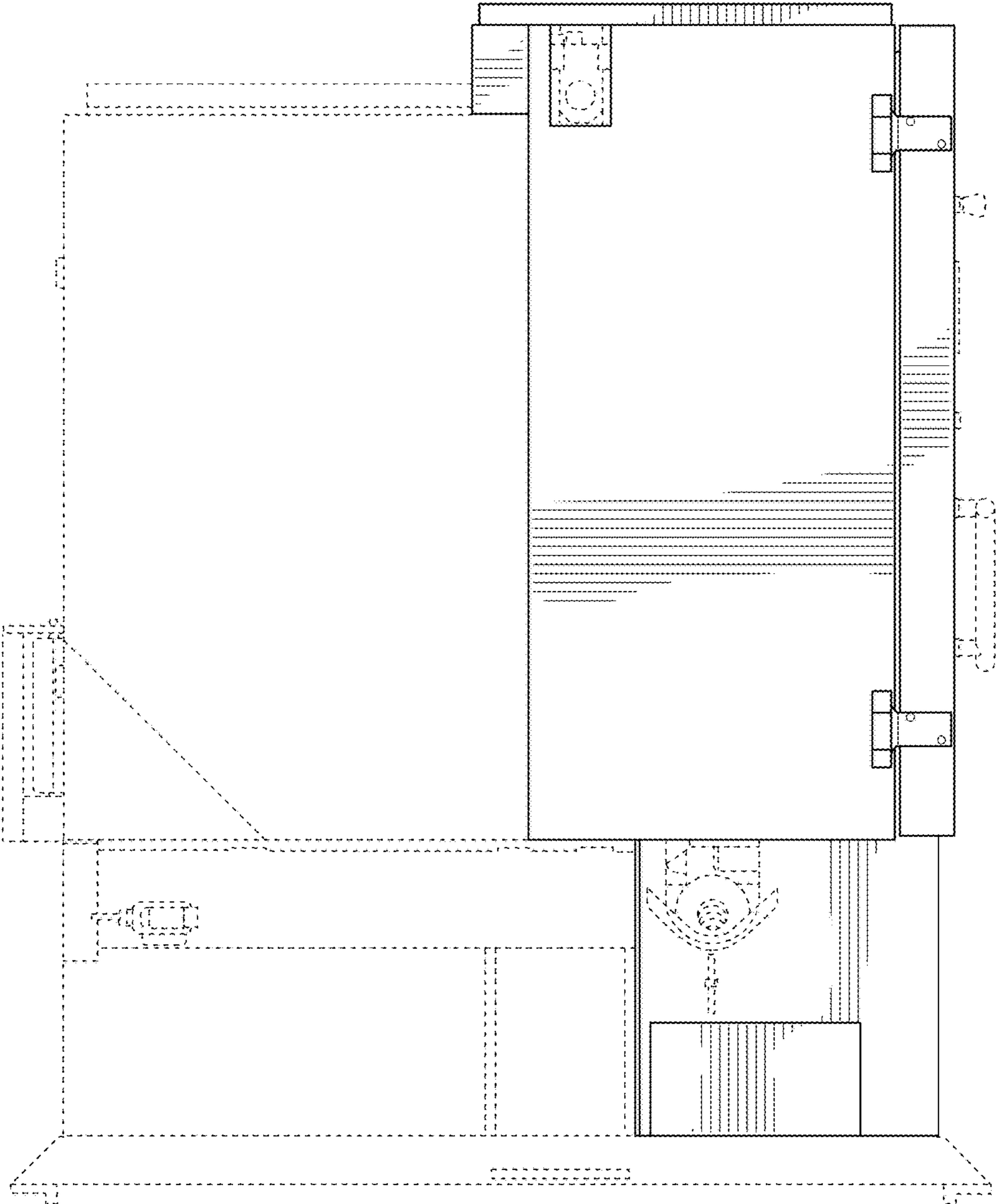


FIG. 4

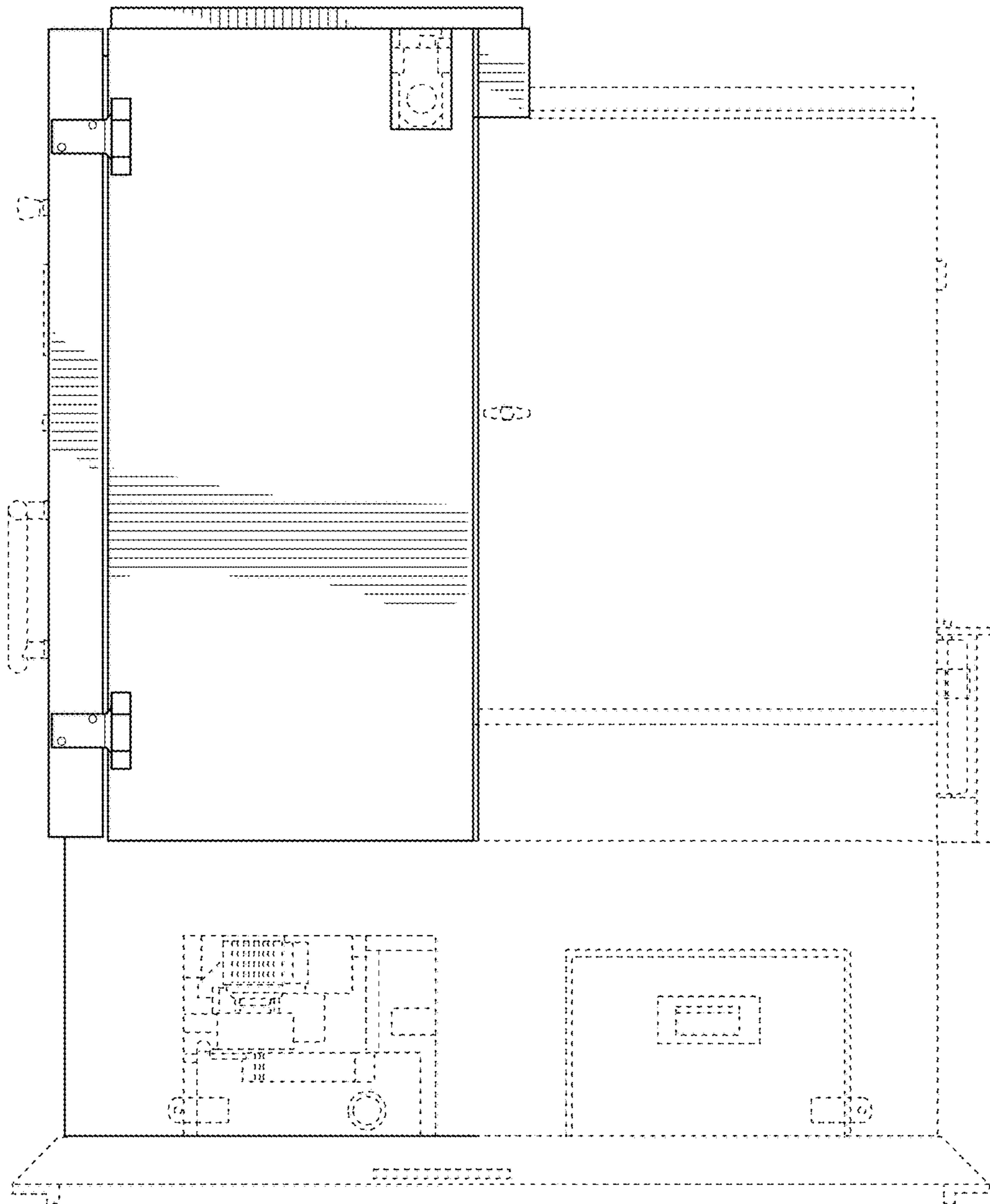


FIG. 5

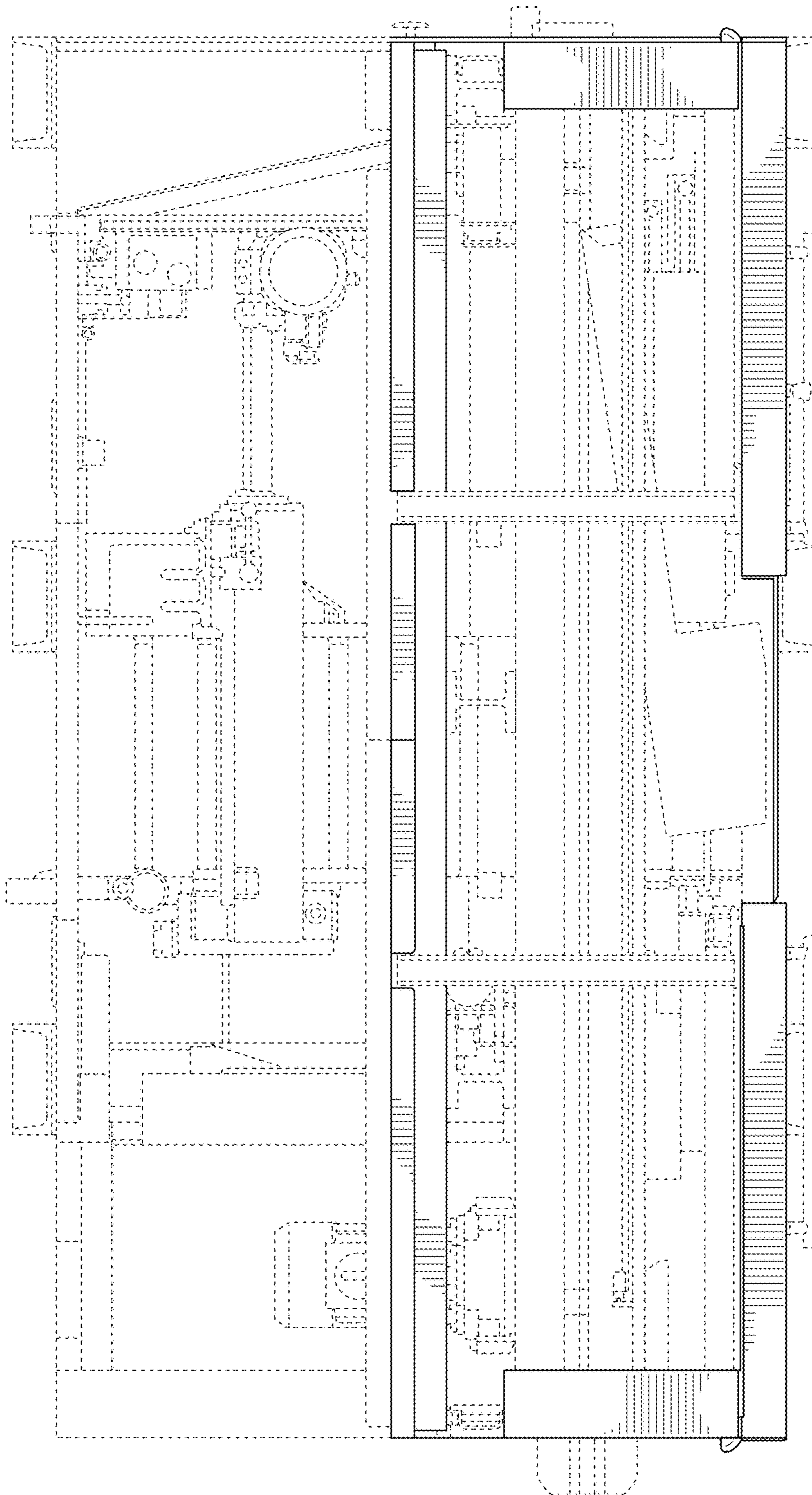


FIG. 6



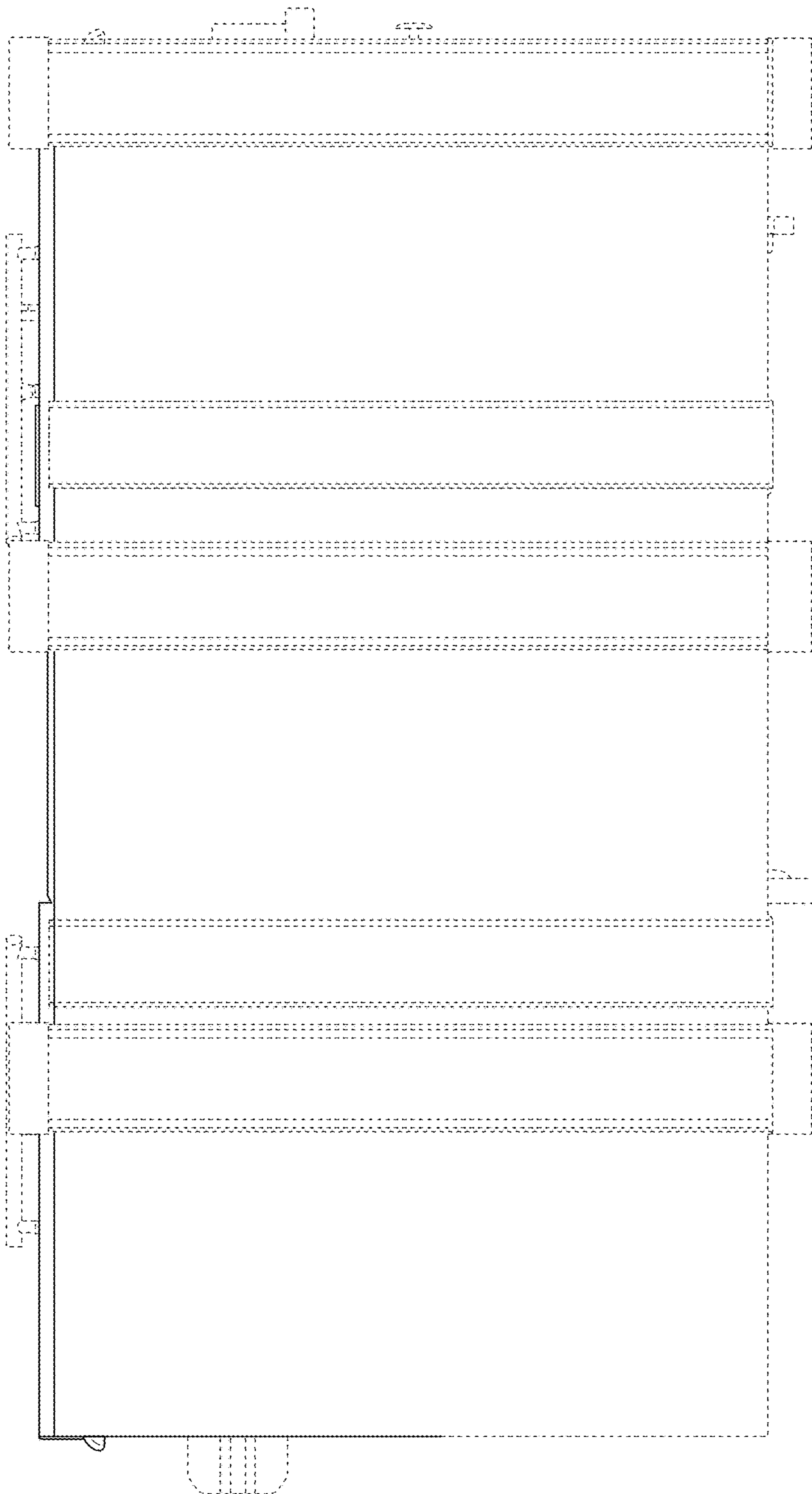


FIG. 7