



US00D823357S

(12) **United States Design Patent**
Hsieh

(10) **Patent No.:** **US D823,357 S**
(45) **Date of Patent:** **** Jul. 17, 2018**

(54) **DEFROST TRAY**

(71) Applicant: **THAT INVENTIONS CO.**, Taipei (TW)

(72) Inventor: **Jung-Ya Hsieh**, Jhubei (TW)

(73) Assignee: **That Inventions Co.**, Taipei (TW)

(**) Term: **15 Years**

(21) Appl. No.: **29/604,721**

(22) Filed: **May 19, 2017**

(51) **LOC (11) Cl.** **15-07**

(52) **U.S. Cl.**
USPC **D15/89**

(58) **Field of Classification Search**
USPC D15/79-91
CPC .. F25D 11/00; F25D 17/065; F25D 2325/022;
F25D 23/069; F25D 25/025; F25D 11/02;
F25D 17/062; F25D 21/12; F25D 21/125;
F25D 21/14; F25D 2317/061; F25D
2317/067; F25D 2323/021; F25D
2323/024; F25D 23/028; F25D 23/04;
F25D 23/066; F25D 23/085; F25D
23/087; F25D 23/126; F25D 2400/02;
F25D 2400/06; F25D 2400/361; F25D
2400/40; F25D 25/005; F25D 25/02;
F25D 2600/02; F25D 2700/02; F25D
2700/12; F25D 2700/121; F25D 2700/14;
F25D 29/00

See application file for complete search history.

(56) **References Cited**

U.S. PATENT DOCUMENTS

D230,114 S *	1/1974	Jennee	D6/705
D551,262 S *	9/2007	Becke	D15/89
D612,405 S *	3/2010	Eicher	D15/89
D714,840 S *	10/2014	Yang	D15/89
D774,114 S *	12/2016	Lee	D15/89
D788,191 S *	5/2017	Kim	D15/89
D800,801 S *	10/2017	Park	D15/89
D802,631 S *	11/2017	Seo	D15/90

* cited by examiner

Primary Examiner — Ian Simmons

Assistant Examiner — Khawaja Anwar

(74) *Attorney, Agent, or Firm* — Wang Law Firm, Inc.

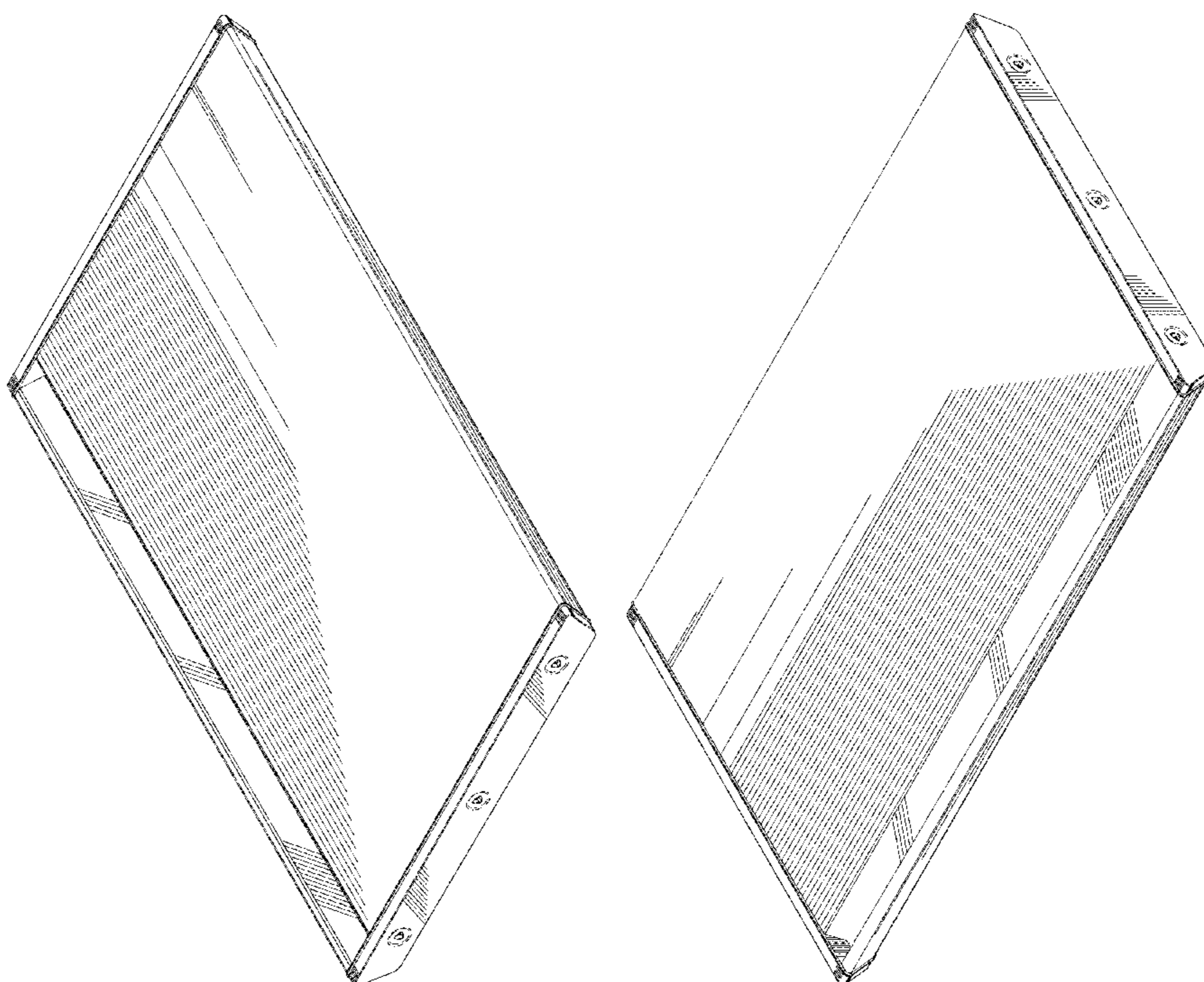
(57) **CLAIM**

The ornamental design for a defrost tray, as shown and described.

DESCRIPTION

FIG. 1 is a front elevational view of a defrost tray, FIG. 2 is a rear elevational view thereof; FIG. 3 is a bottom plan view thereof; FIG. 4 is a top plan view thereof; FIG. 5 is a left side elevational view thereof; FIG. 6 is a right side elevational view thereof; FIG. 7 is a perspective view thereof; FIG. 8 is another perspective view; and, FIG. 9 is an exploded view of the perspective view of FIG. 7 of the defrost tray. The broken lines shown in the drawings represent unclaimed portions of the defrost tray and form no part of the claimed design.

1 Claim, 7 Drawing Sheets



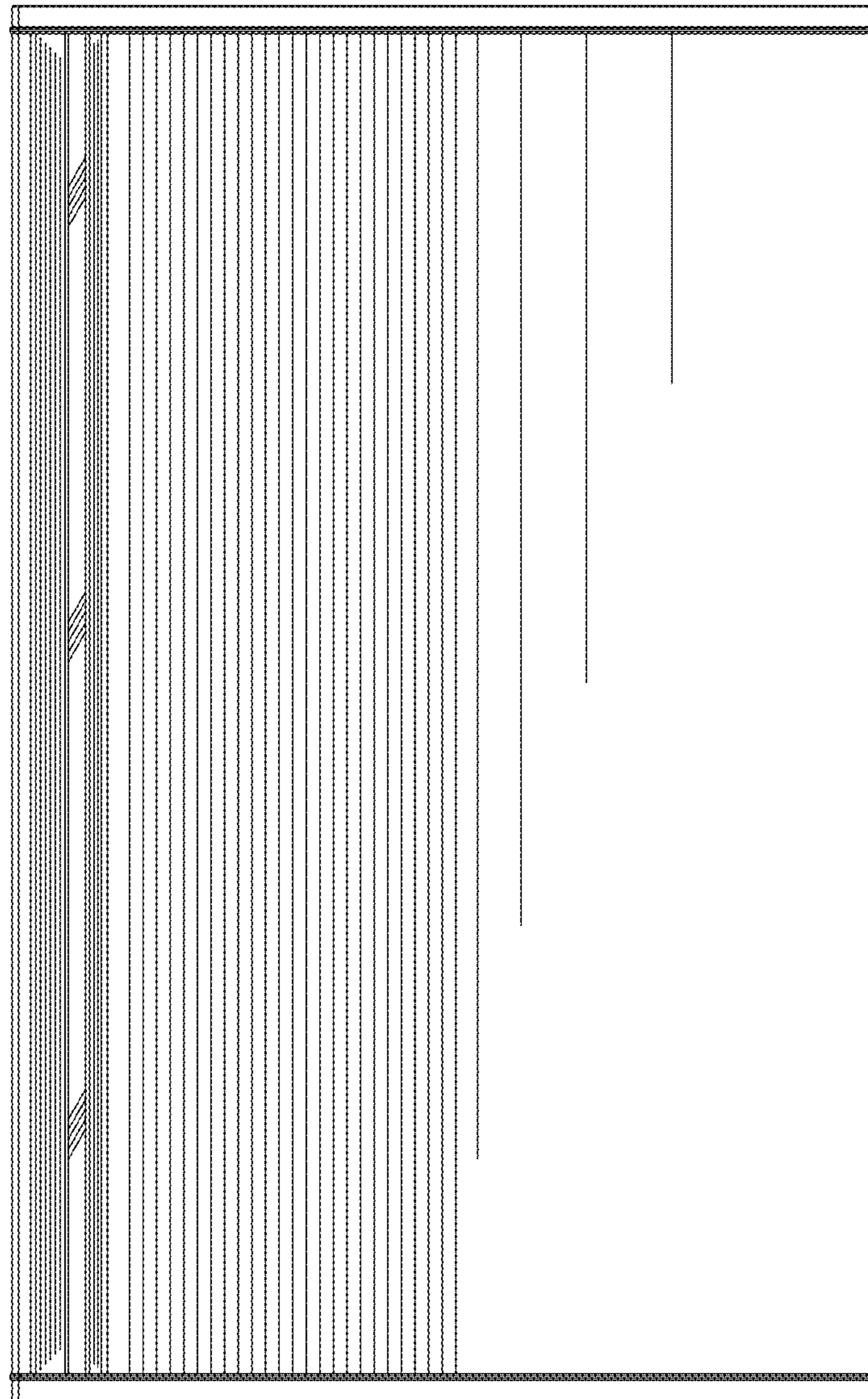


Fig. 1

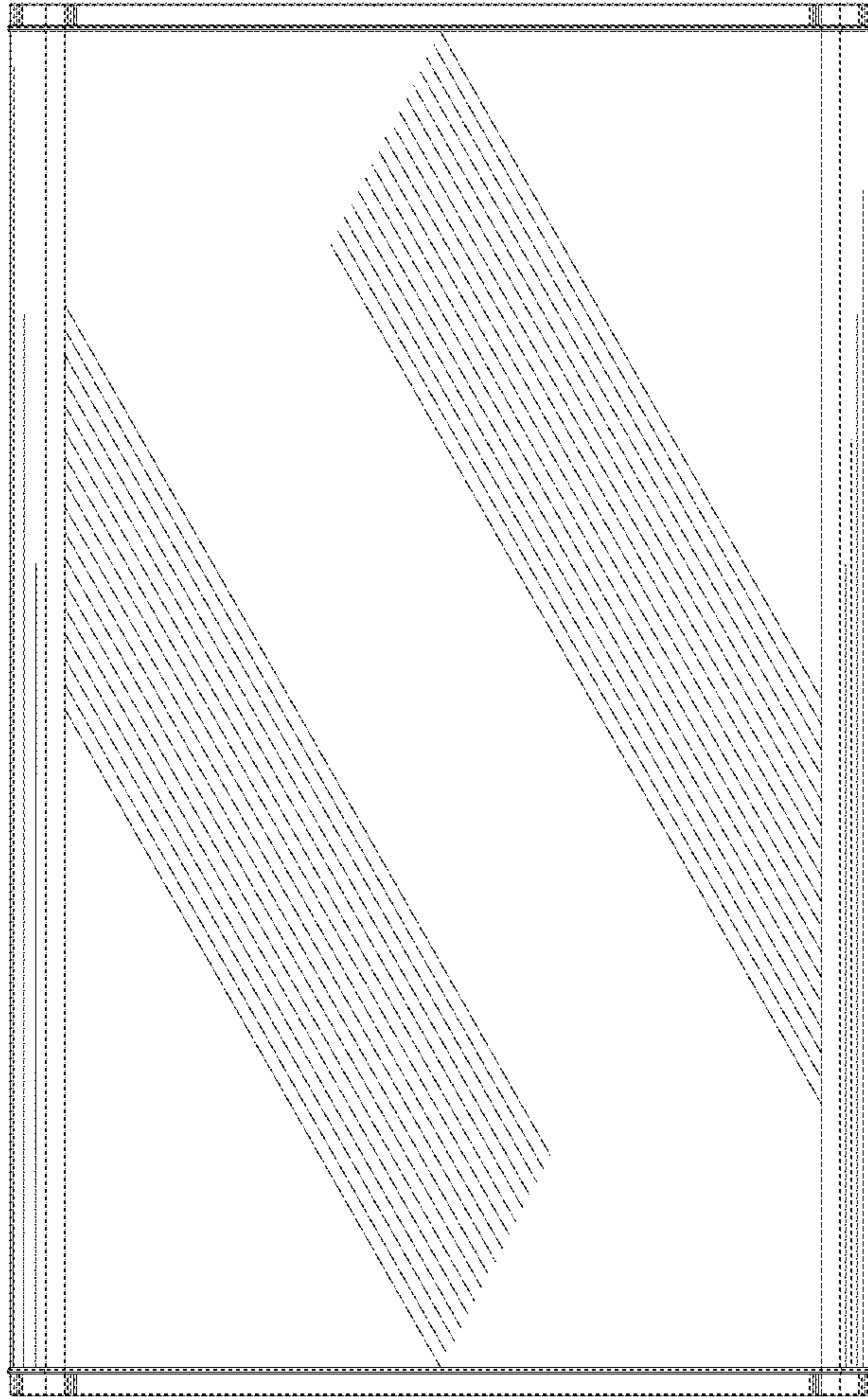


Fig.2

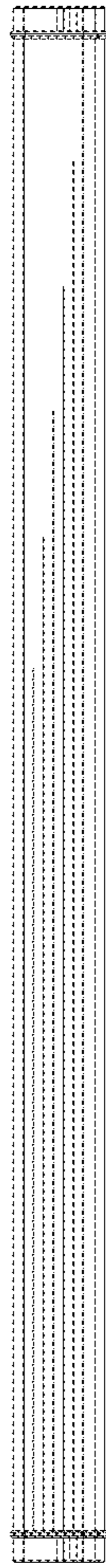


Fig.3

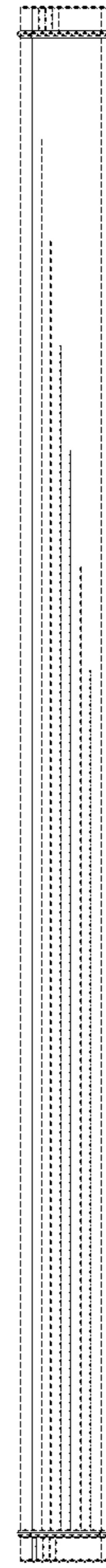


Fig.4



Fig.5



Fig.6

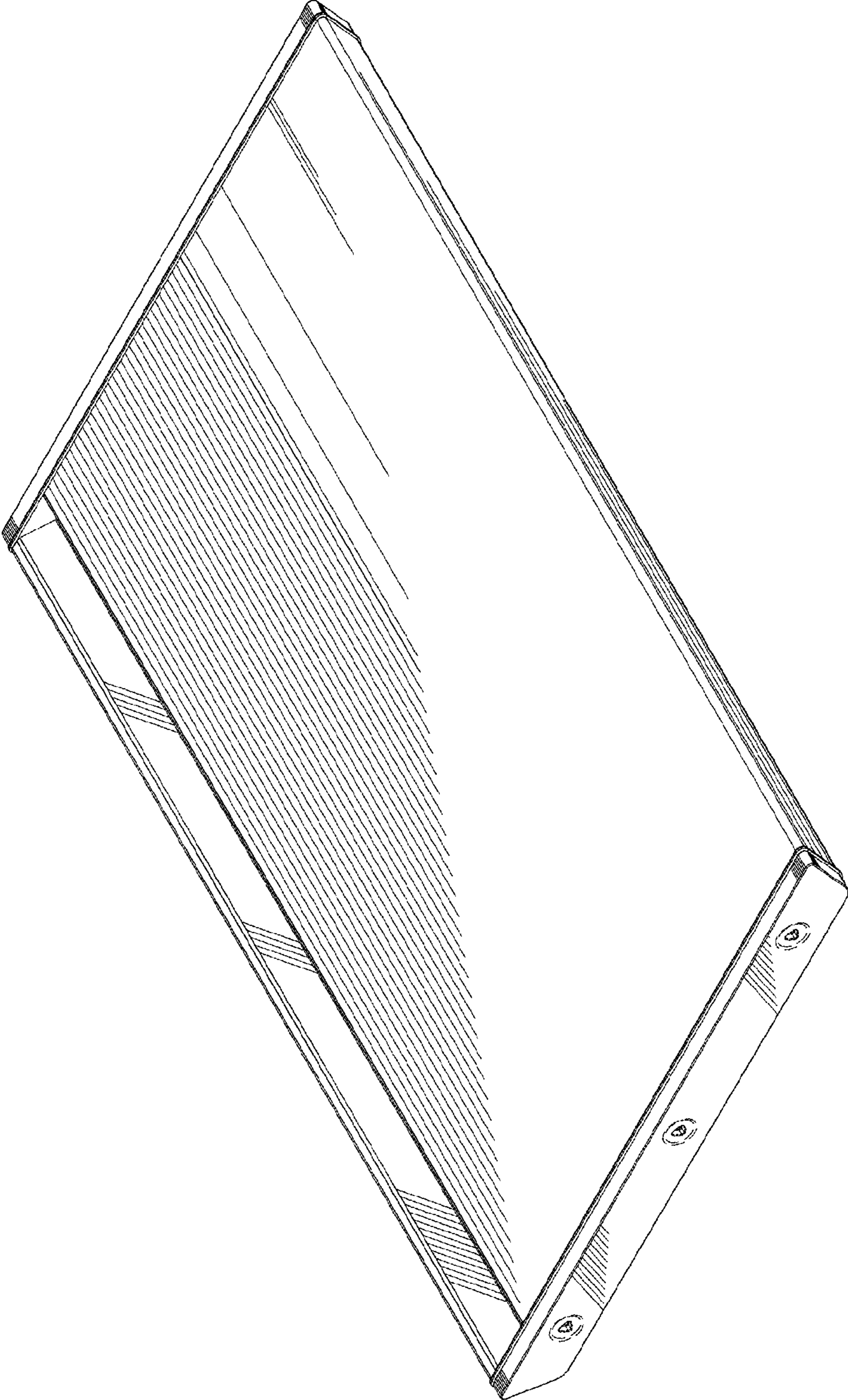


Fig. 7

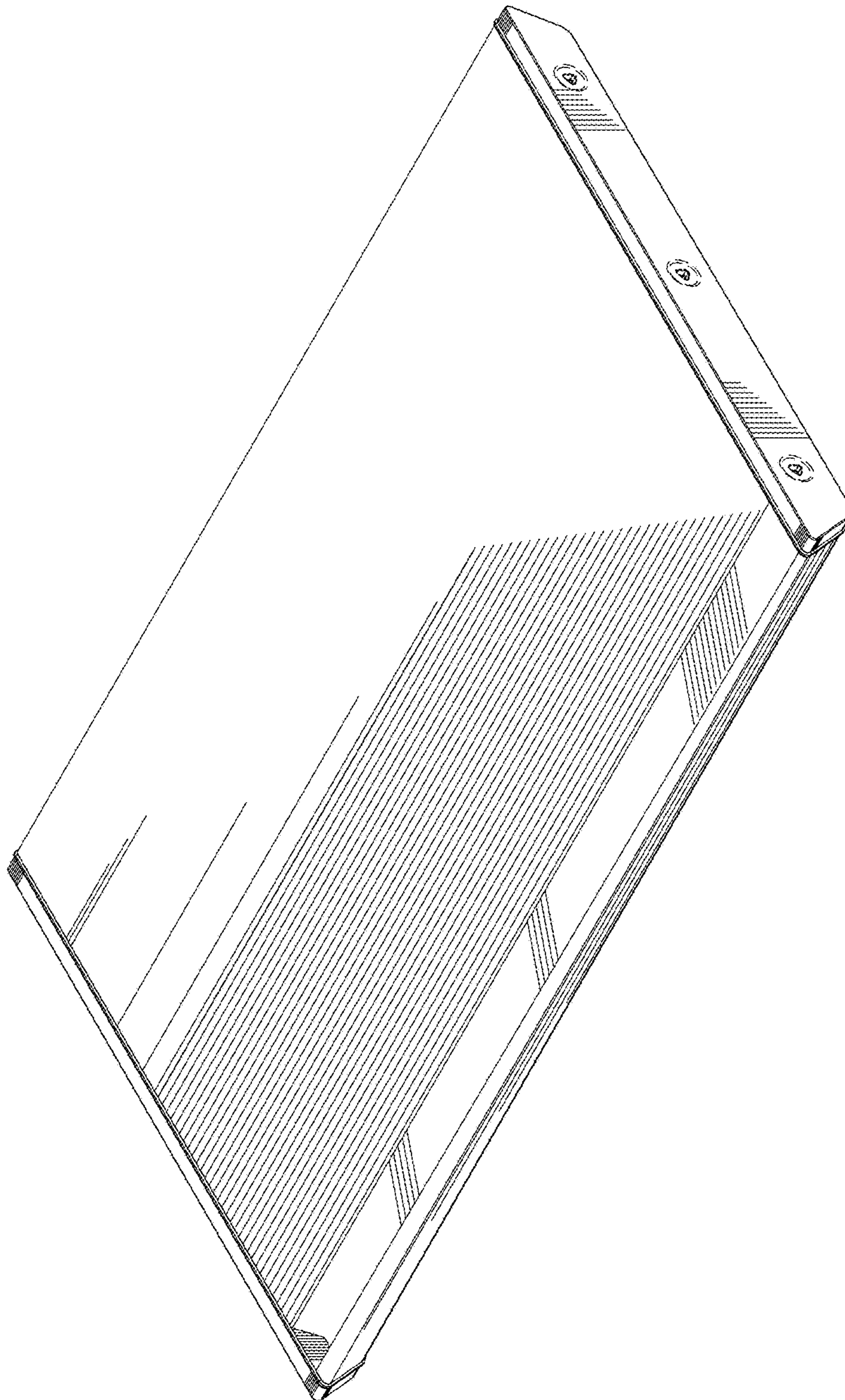


Fig. 8

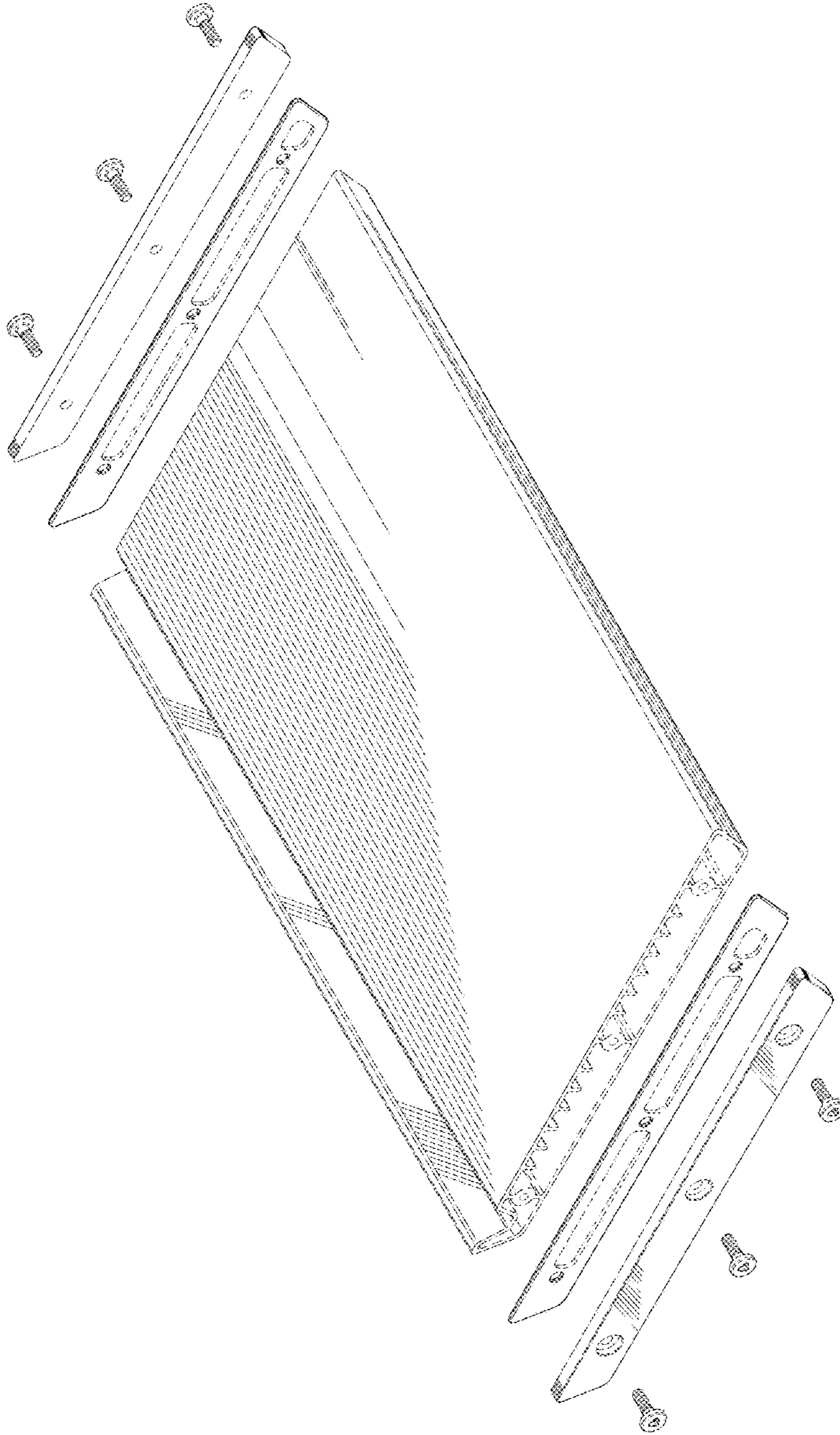


Fig. 9