



US00D823356S

(12) **United States Design Patent** (10) **Patent No.:** **US D823,356 S**
Lum et al. (45) **Date of Patent:** **** Jul. 17, 2018**

(54) **REFRIGERATOR SHELF**
(71) Applicant: **LDA, LLC**, Irvine, CA (US)
(72) Inventors: **Myk Wayne Lum**, Irvine, CA (US);
Ken Sugimoto, Trabuco Canyon, CA (US)
(73) Assignee: **LDA, LLC**, Irvine, CA (US)
(**) Term: **15 Years**

5,152,407 A 10/1992 Massoudnia et al.
D351,845 S * 10/1994 Johnson D15/89
6,279,467 B1 8/2001 Tiemann
8,056,722 B2 11/2011 Lonczak et al.
8,113,600 B2 2/2012 Zalewski et al.
D710,404 S * 8/2014 Park D15/89
D734,784 S * 7/2015 Kim D15/89
D747,750 S * 1/2016 Kim D15/89
D776,985 S * 1/2017 Kim D15/89
D785,056 S * 4/2017 Lee D15/89
2007/0254075 A1 11/2007 Haars

(21) Appl. No.: **29/597,642**
(22) Filed: **Mar. 17, 2017**
(51) **LOC (11) Cl.** **15-07**
(52) **U.S. Cl.**
USPC **D15/89**
(58) **Field of Classification Search**
USPC D15/79-91
CPC .. F25D 11/00; F25D 17/065; F25D 2325/022;
F25D 23/069; F25D 25/025; F25D 11/02;
F25D 17/062; F25D 21/12; F25D 21/125;
F25D 21/14; F25D 2317/061; F25D
2317/067; F25D 2323/021; F25D
2323/024; F25D 23/028; F25D 23/04;
F25D 23/066; F25D 23/085; F25D
23/087; F25D 23/126; F25D 2400/02;
F25D 2400/06; F25D 2400/361; F25D
2400/40; F25D 25/005; F25D 25/02;
F25D 2600/02; F25D 2700/02; F25D
2700/12; F25D 2700/121; F25D 2700/14;
F25D 29/00
See application file for complete search history.

FOREIGN PATENT DOCUMENTS

WO WO03012351 2/2003
WO WO03086882 10/2003

* cited by examiner

Primary Examiner — Ian Simmons
Assistant Examiner — Khawaja Anwar
(74) *Attorney, Agent, or Firm* — Stetina Brunda Garred & Brucker

(57) **CLAIM**

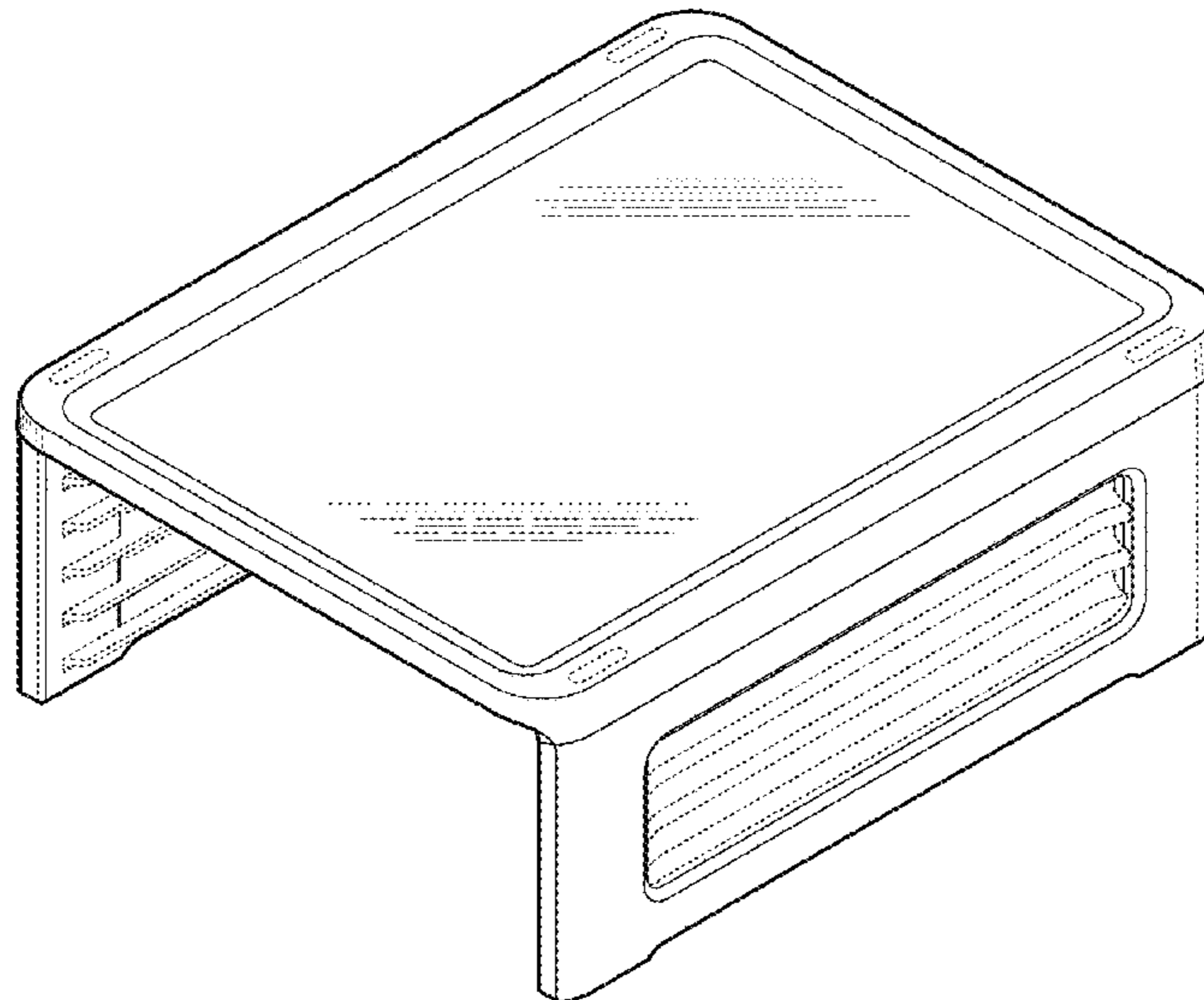
The ornamental design for a refrigerator shelf, as shown and described.

DESCRIPTION

FIG. 1 is a perspective view showing a refrigerator shelf of the present invention;
FIG. 2 is a top plan view thereof;
FIG. 3 is a bottom plan view thereof;
FIG. 4 is a side view thereof; and,
FIG. 5 is a rear view thereof.
The broken lines shown in drawings represent unclaimed portions of the refrigerator shelf and form no parts of the claimed design.

(56) **References Cited**
U.S. PATENT DOCUMENTS
4,372,444 A 2/1983 Le Grand et al.
4,444,320 A 4/1984 Chap

1 Claim, 5 Drawing Sheets



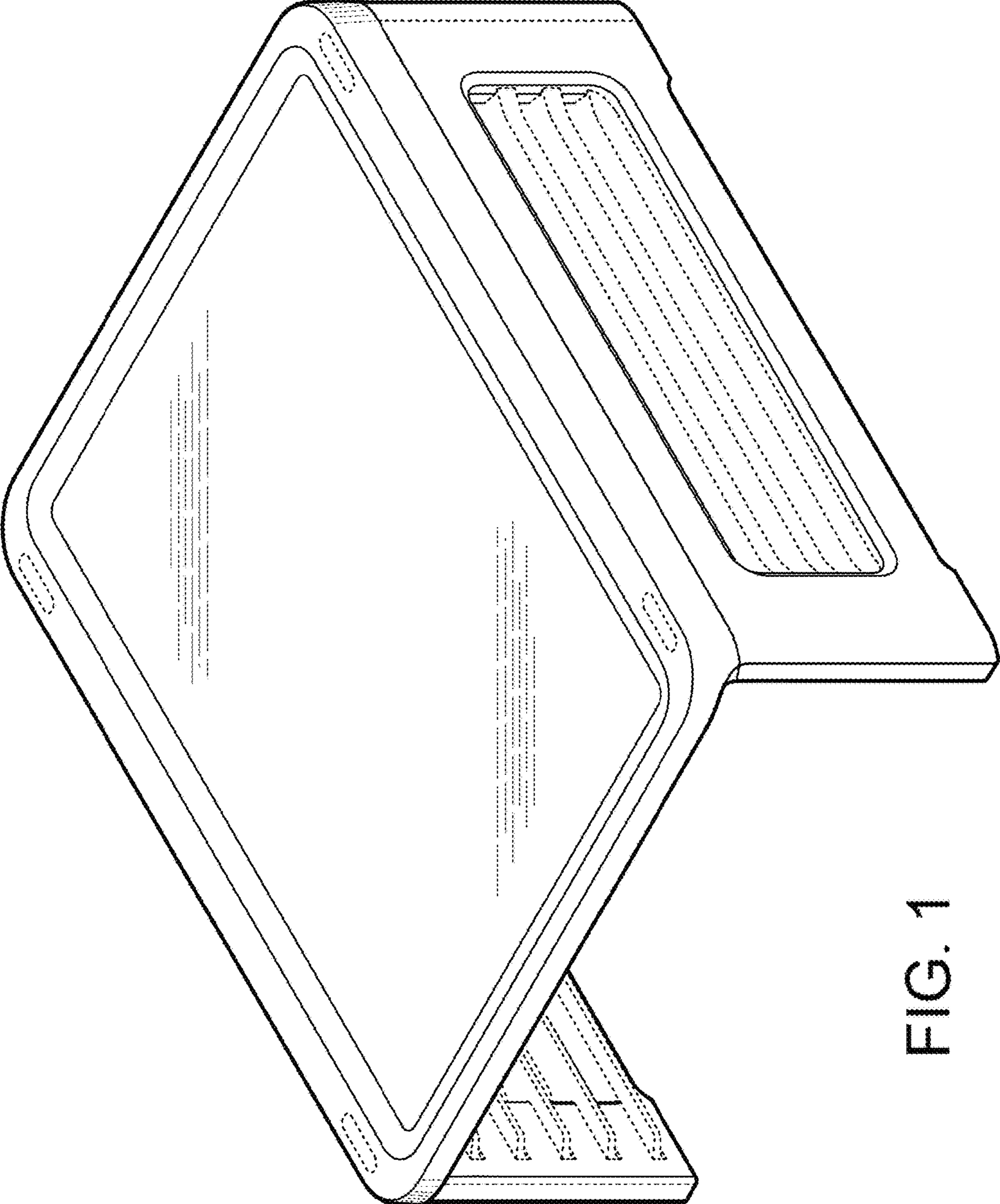


FIG. 1

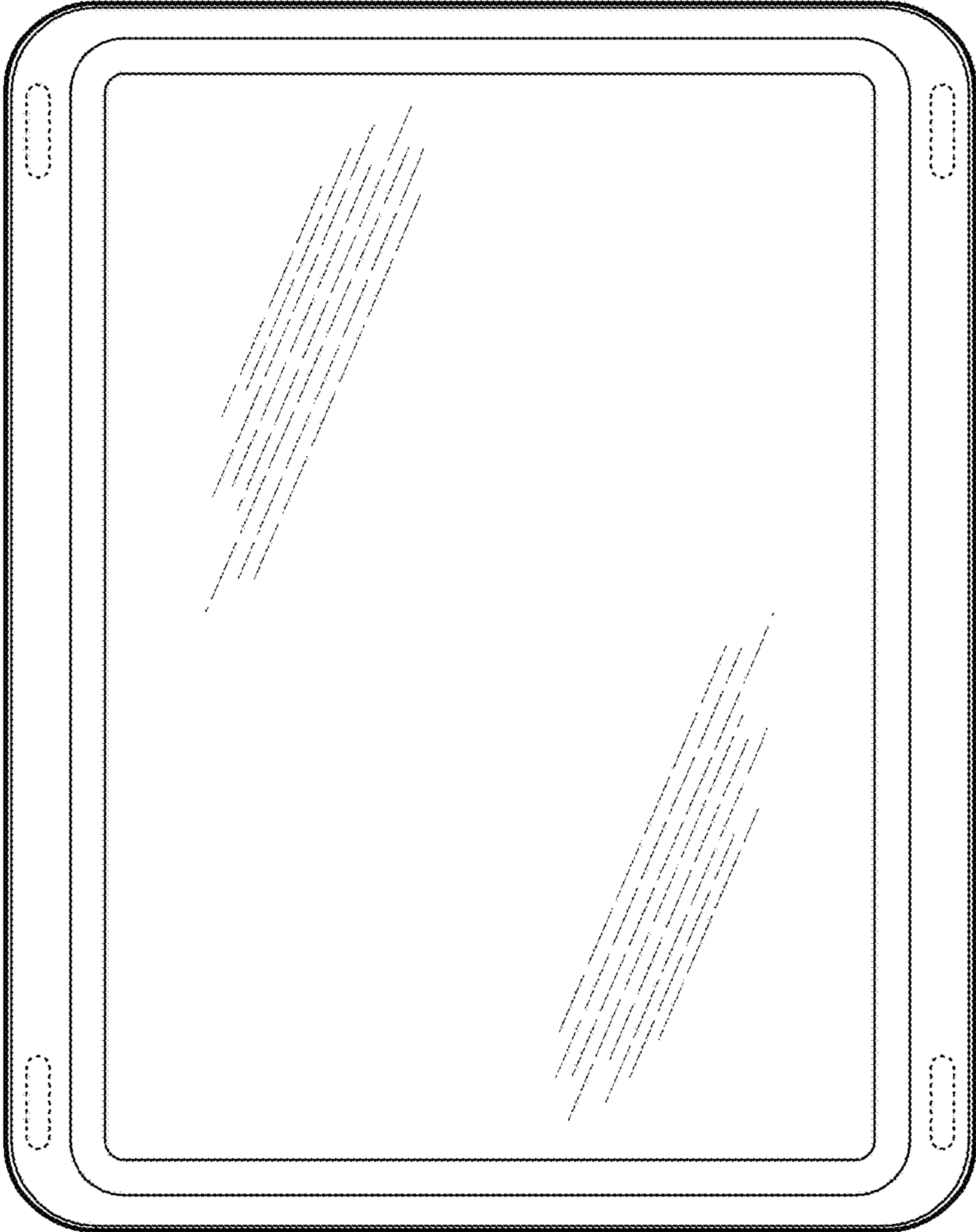


FIG.2

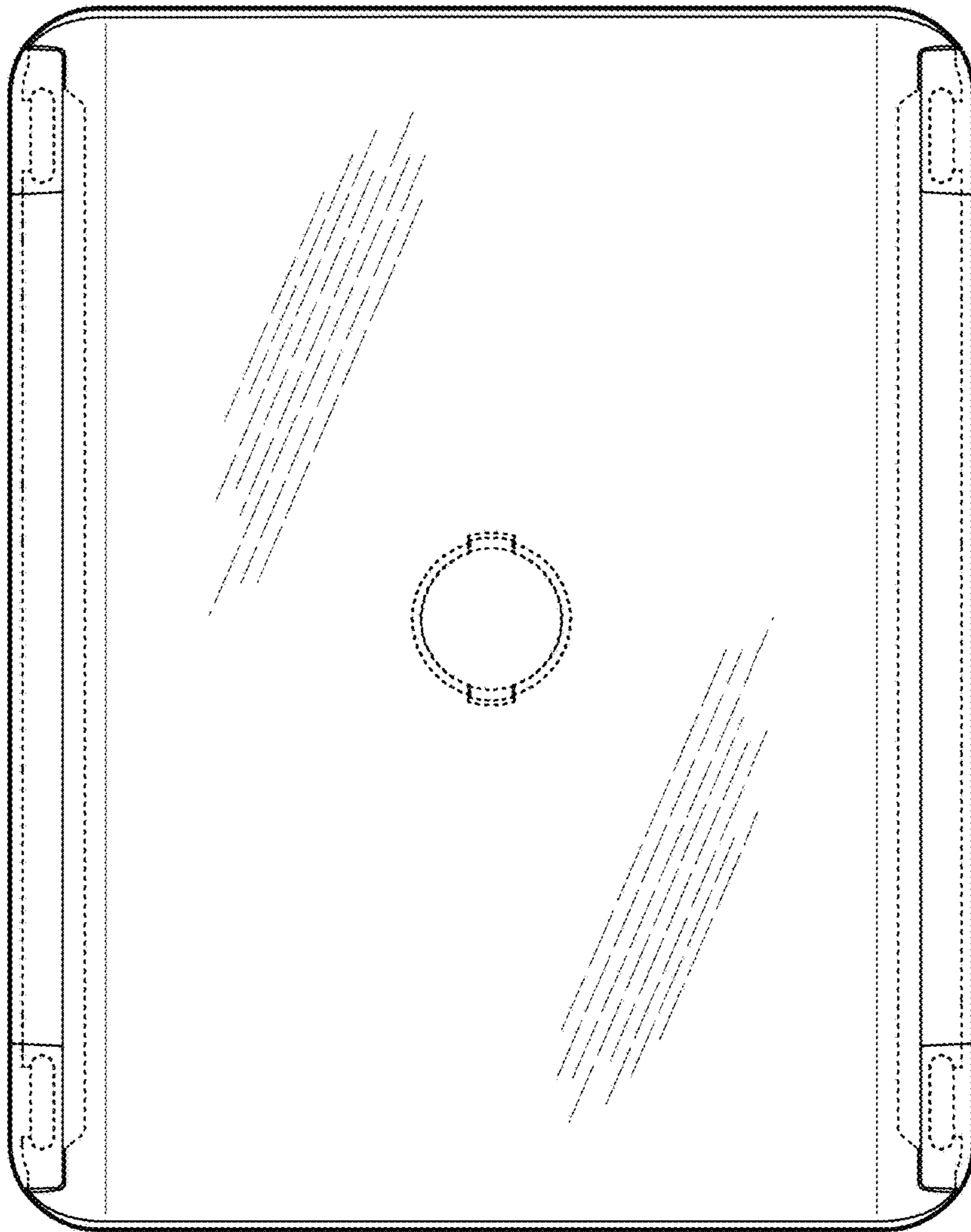


FIG. 3

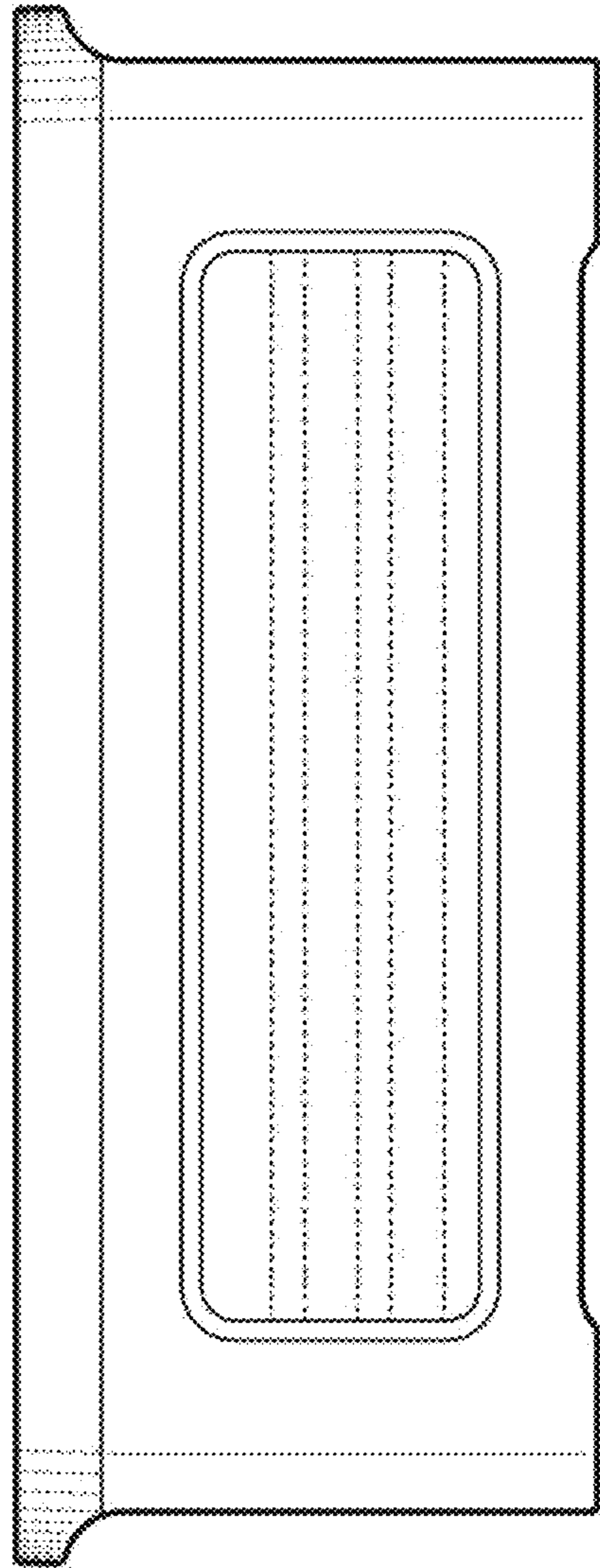


FIG.4

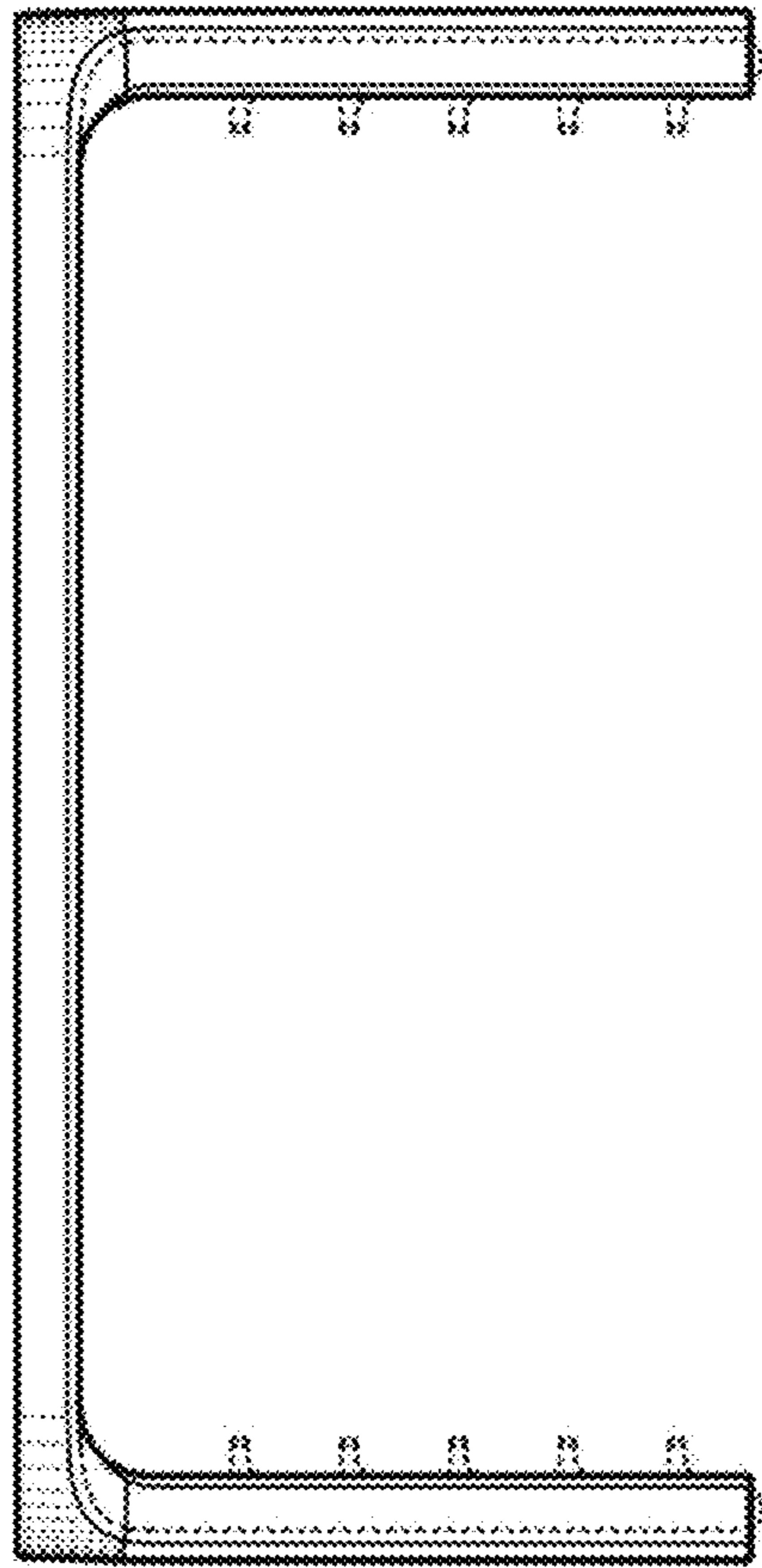


FIG. 5