



US00D823353S

(12) **United States Design Patent** (10) **Patent No.:** **US D823,353 S**
Jilbert et al. (45) **Date of Patent:** **** *Jul. 17, 2018**

(54) **CANOPY FOR AN AERIAL WORK PLATFORM**

D772,954 S * 11/2016 Harms D15/28
D776,724 S * 1/2017 Harms D15/30
D777,218 S * 1/2017 Harms D15/30
D797,160 S * 9/2017 Yeu D15/30
D797,814 S * 9/2017 Hashimoto D15/28

(71) Applicant: **JCB ACCESS LIMITED**, Uttoxeter (GB)

(Continued)

(72) Inventors: **Samuel John Jilbert**, Uttoxeter (GB); **Louis Gospel**, Uttoxeter (GB); **Ben Watson**, Uttoxeter (GB)

FOREIGN PATENT DOCUMENTS

CN 304042998 * 2/2017

(73) Assignee: **JCB ACCESS LIMITED**, Uttoxeter (GB)

OTHER PUBLICATIONS

(*) Notice: This patent is subject to a terminal disclaimer.

<https://www.youtube.com/watch?v=SbkDOyfnED8> uploaded Mar. 10, 2017 (Year: 2017).*

(Continued)

(**) Term: **15 Years**

Primary Examiner — Susan Benett Hattan

Assistant Examiner — Leanne Was-Englehart

(21) Appl. No.: **29/596,258**

(74) *Attorney, Agent, or Firm* — Marshall, Gerstein & Borun LLP

(22) Filed: **Mar. 7, 2017**

(51) **LOC (11) Cl.** **12-05**

(52) **U.S. Cl.**
USPC **D15/30**

(58) **Field of Classification Search**
USPC D15/10, 11, 15, 17, 22, 23, 25, 26, 28, D15/30; D25/3, 16, 31, 56
CPC E02F 9/18; E02F 9/163; E02F 3/00; E02F 3/32; E02F 3/34; E02F 3/40; E02F 3/76; F01N 13/001; F01N 2590/08; B66F 11/04; B66F 11/046
See application file for complete search history.

(57) **CLAIM**

The ornamental design for a canopy for an aerial work platform, as shown and described.

DESCRIPTION

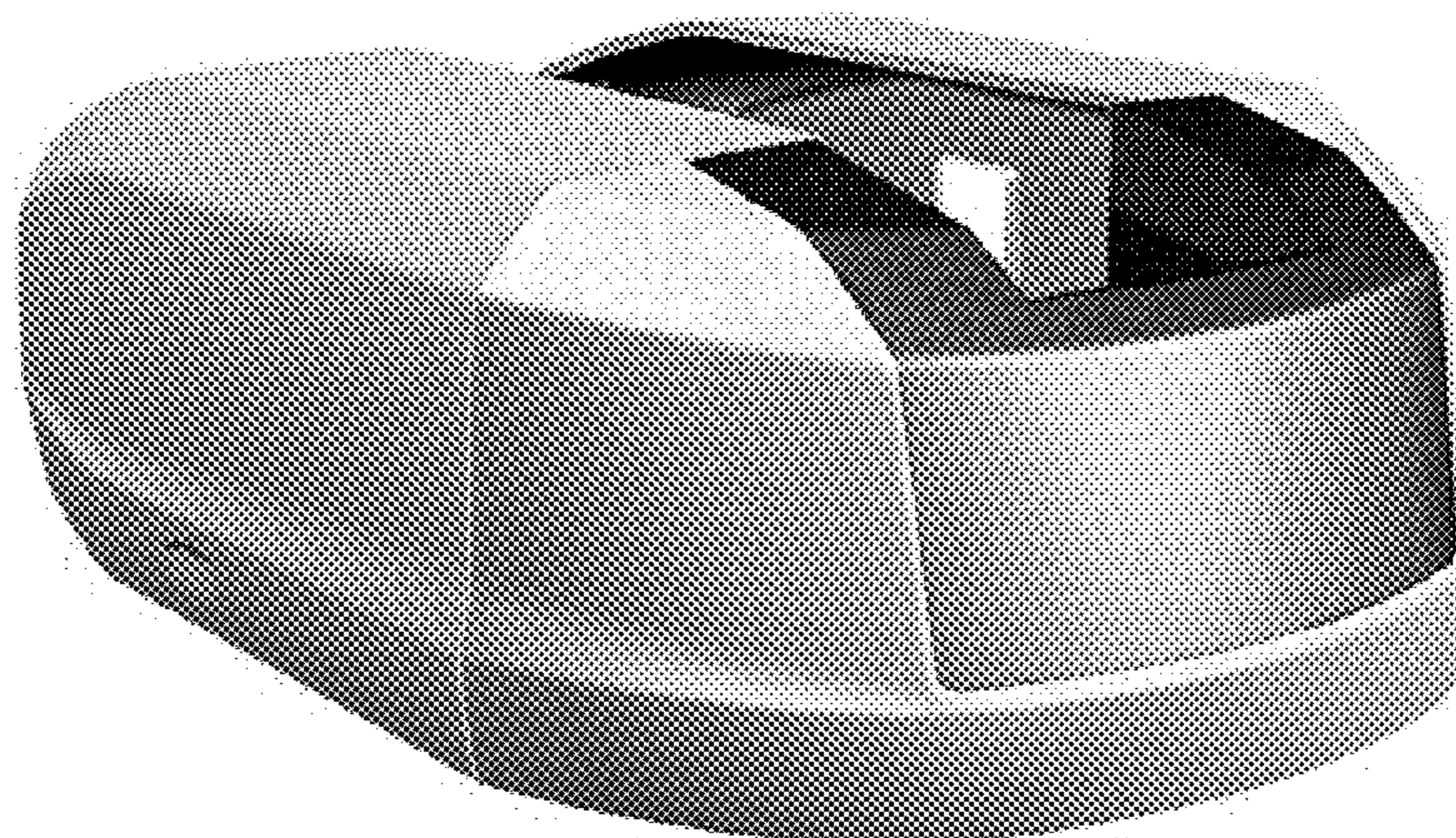
FIG. 1 is a right-side, back, and top view of a canopy for an aerial work platform, showing the new design.
FIG. 2 is a top plan view of the canopy for an aerial work platform.
FIG. 3 is a left-side elevation of the canopy for an aerial work platform.
FIG. 4 is a front elevation of the canopy for an aerial work platform.
FIG. 5 is a rear elevation of the canopy for an aerial work platform.
FIG. 6 is a right-side elevation of the canopy for an aerial work platform; and,
FIG. 7 is an underside plan view of the canopy for an aerial work platform.

(56) **References Cited**

U.S. PATENT DOCUMENTS

D241,334 S * 9/1976 Howard 52/82
D275,888 S * 10/1984 Lauer D25/1
5,669,517 A * 9/1997 Donaldson B66F 11/046
212/196
6,119,882 A * 9/2000 Crook B60B 35/003
180/433
D487,575 S * 3/2004 Wetzel D15/33
D738,403 S * 9/2015 Imashige D15/22

1 Claim, 4 Drawing Sheets



(56)

References Cited

U.S. PATENT DOCUMENTS

2009/0218173 A1* 9/2009 Beeson B66F 11/046
187/234
2011/0187152 A1* 8/2011 Lin B62D 33/06
296/181.1
2012/0241250 A1* 9/2012 Eakin B66F 11/044
182/2.2
2014/0251726 A1* 9/2014 Ditty F16L 3/015
182/69.4
2017/0291805 A1* 10/2017 Hao B60P 1/34

OTHER PUBLICATIONS

<https://www.youtube.com/watch?v=fxcPGv3LUrA> Uploaded Dec. 29, 2014 (Year: 2014).*

<http://www.sinolifter.com/boom-lift/self-propelled-articulated-boom-lift.html> Uploaded Jun. 28, 2016 (Year: 2016).*

<http://simscrane.com/local-jlg-aerial-work-platform-dealer/> Uploaded May 2016 (Year: 2016).*

* cited by examiner

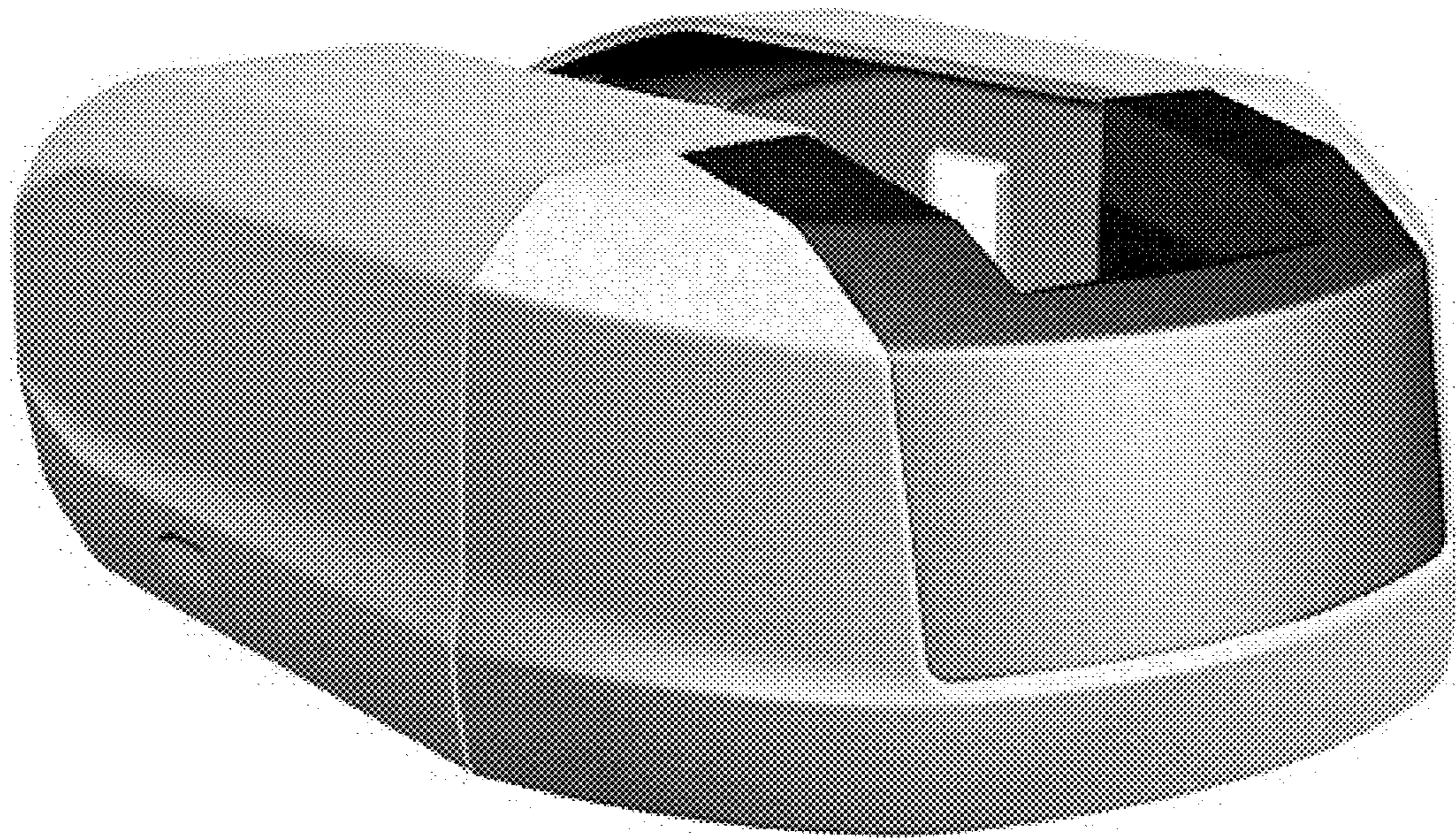


Fig. 1

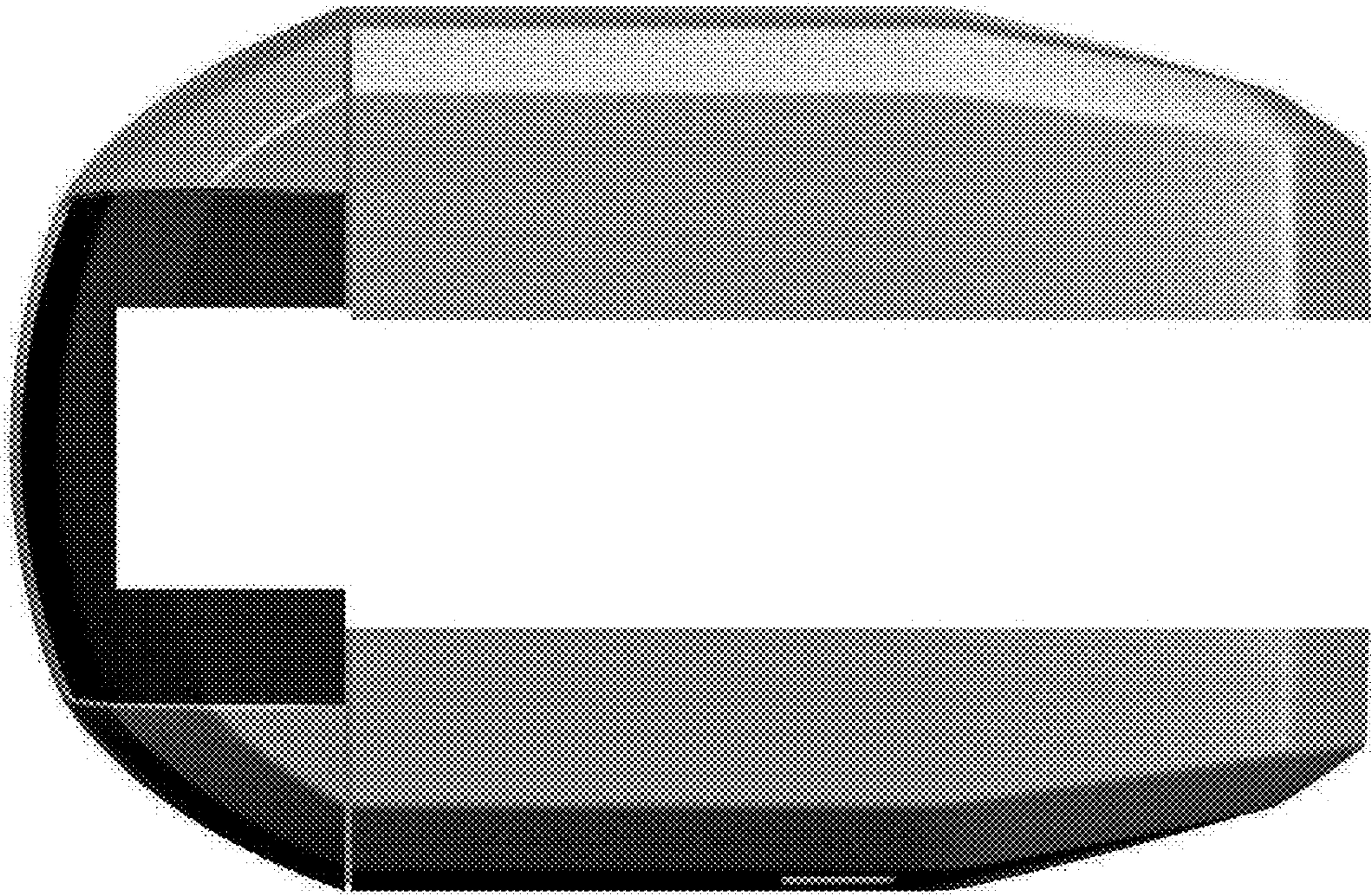


Fig. 2

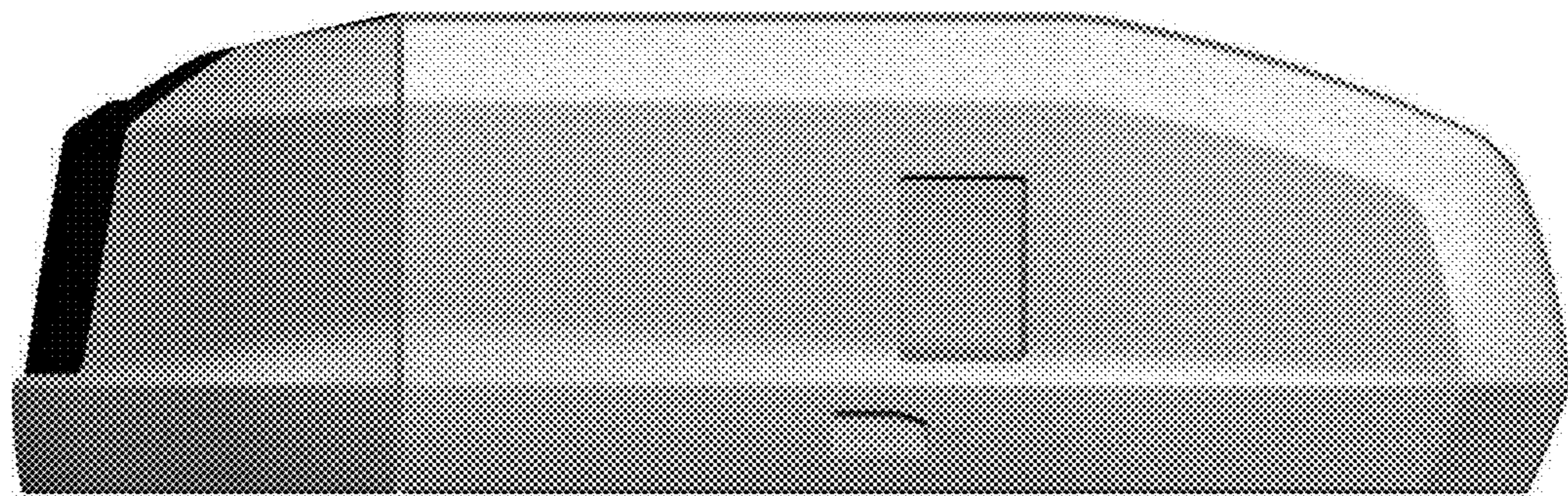


Fig. 3

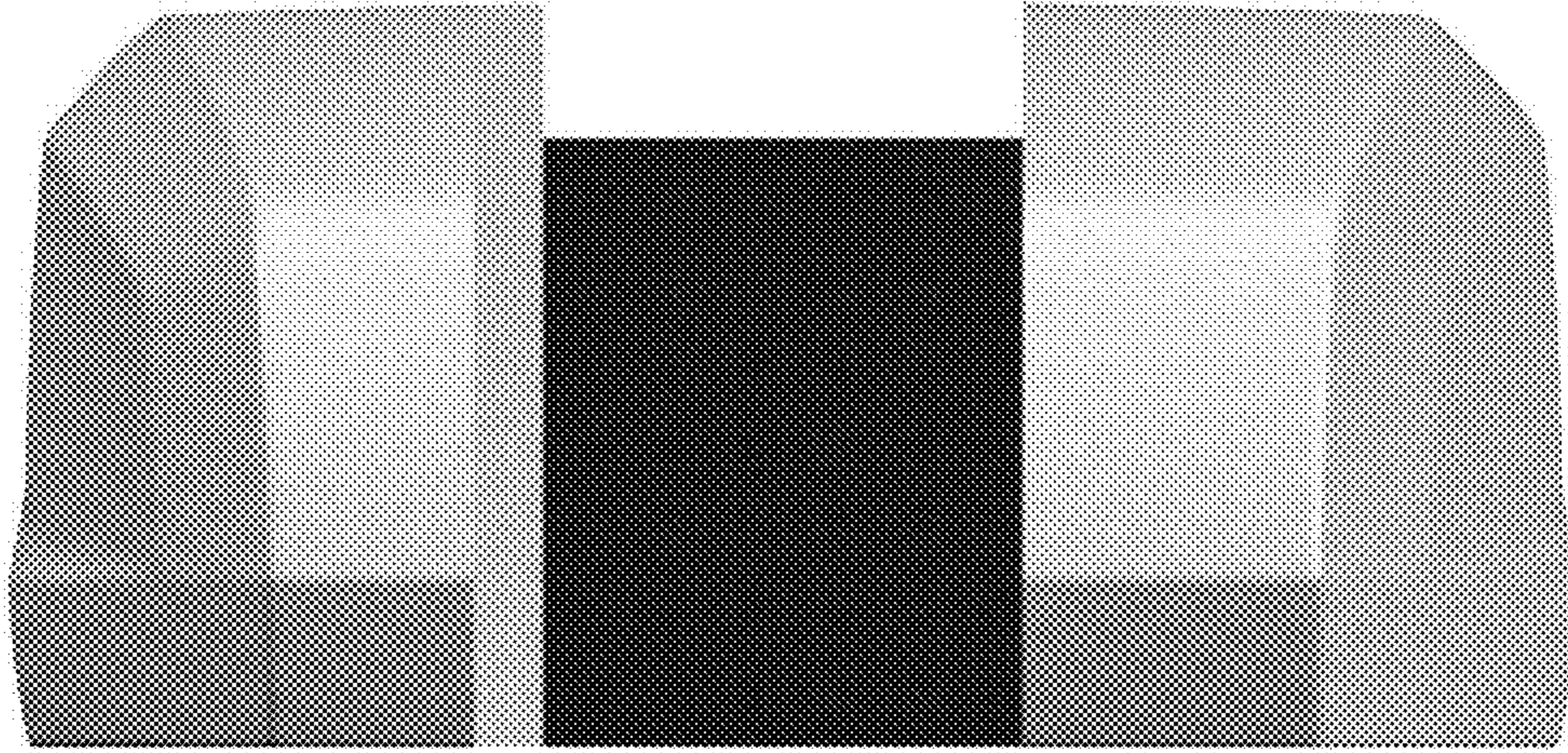


Fig. 4

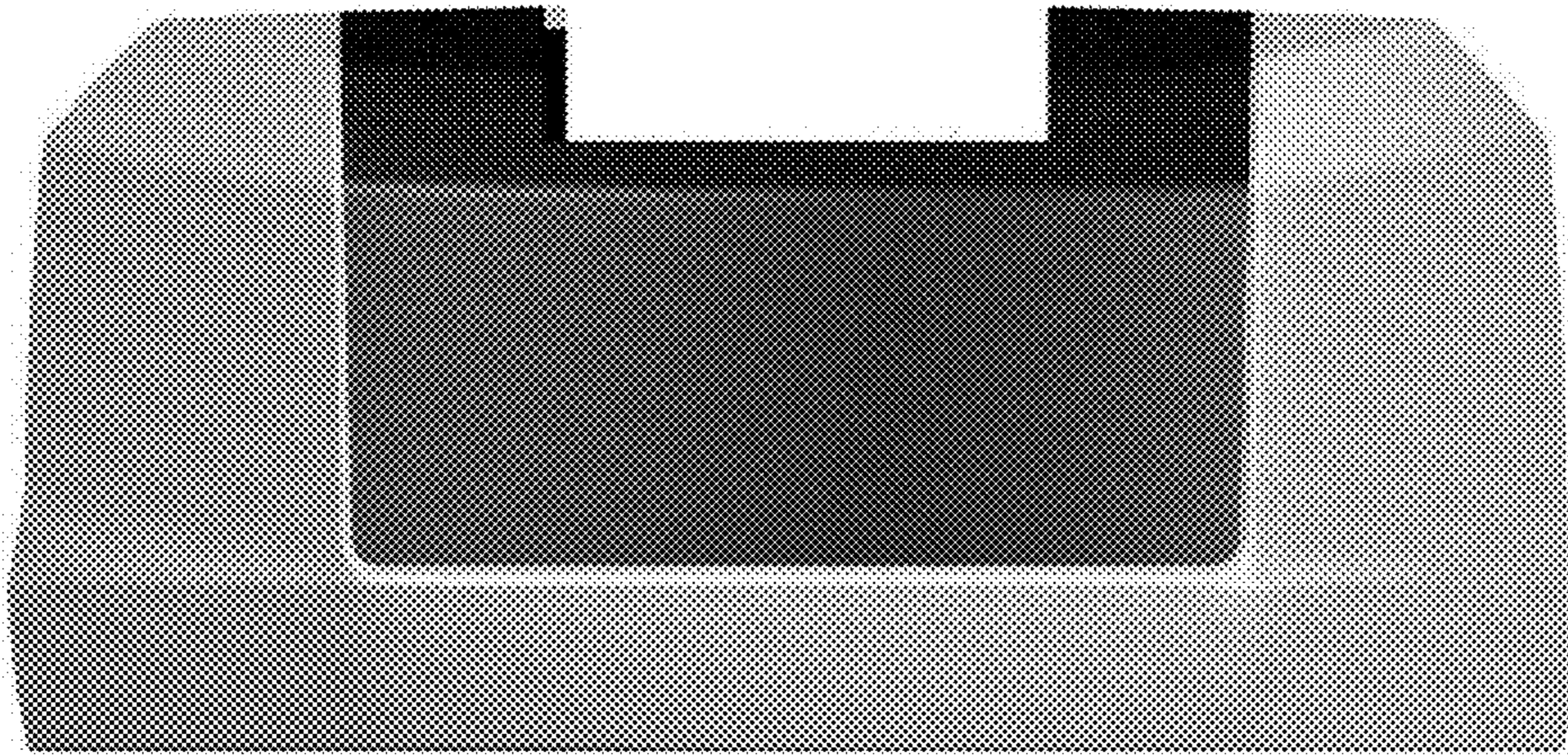


Fig. 5

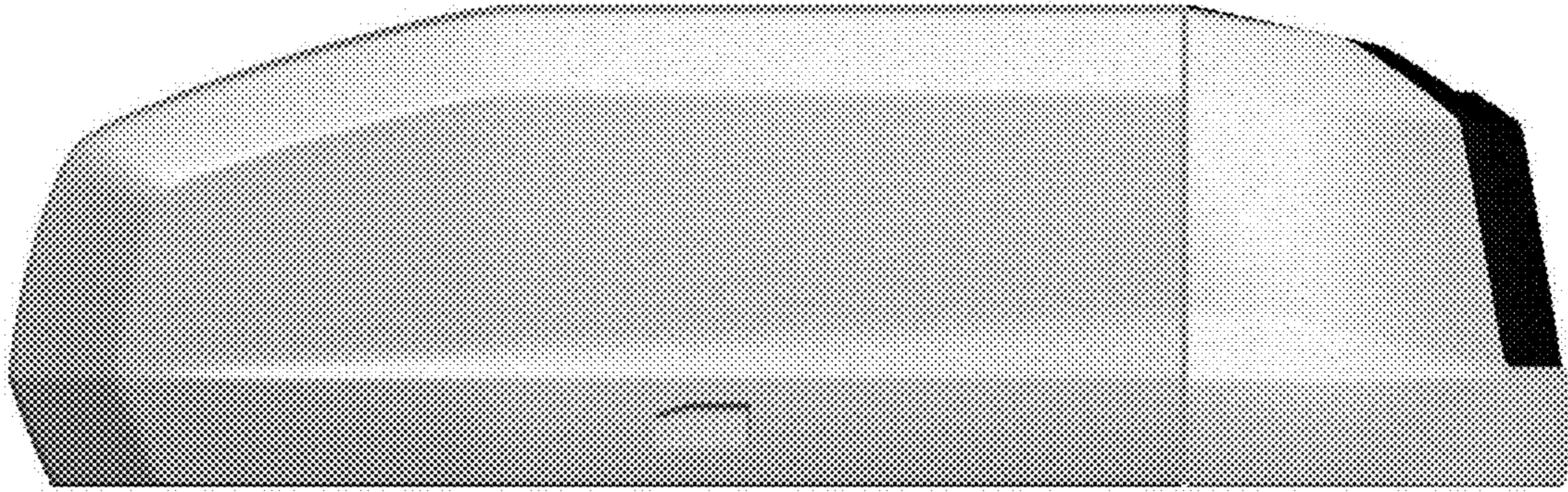


Fig. 6

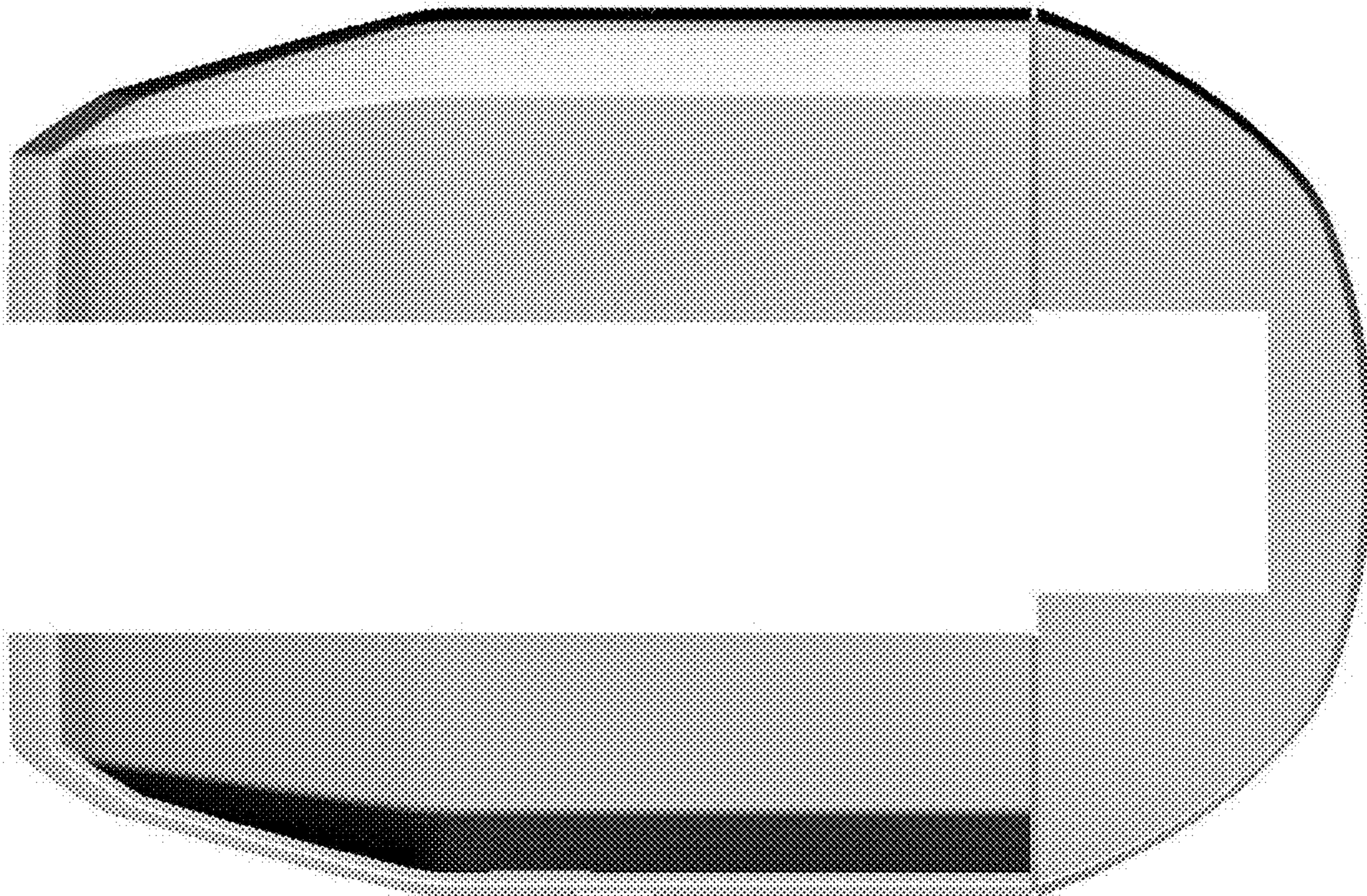


Fig. 7