



US00D823351S

(12) **United States Design Patent** (10) **Patent No.:** **US D823,351 S**  
**Jilbert et al.** (45) **Date of Patent:** **\*\* \*Jul. 17, 2018**

(54) **CANOPY FOR AN AERIAL WORK PLATFORM**

FOREIGN PATENT DOCUMENTS

CN 304042998 \* 2/2017

(71) Applicant: **JCB ACCESS LIMITED**, Uttoxeter (GB)

OTHER PUBLICATIONS

(72) Inventors: **Samuel John Jilbert**, Uttoxeter (GB); **Louis Gospel**, Uttoxeter (GB); **Ben Watson**, Uttoxeter (GB)

<https://www.youtube.com/watch?v=SbkDOyfnED8> uploaded Mar. 10, 2017 (Year: 2017).\*

(Continued)

(73) Assignee: **JCB ACCESS LIMITED**, Uttoxeter (GB)

*Primary Examiner* — Susan Bennett Hattan

*Assistant Examiner* — Leanne Was-Englehart

(\*) Notice: This patent is subject to a terminal disclaimer.

(74) *Attorney, Agent, or Firm* — Marshall, Gerstein & Borun LLP

(\*\*) Term: **15 Years**

(57) **CLAIM**

(21) Appl. No.: **29/596,253**

The ornamental design for a canopy for an aerial work platform, as shown and described.

(22) Filed: **Mar. 7, 2017**

(51) **LOC (11) Cl.** ..... **12-05**

(52) **U.S. Cl.**  
USPC ..... **D15/30**

(58) **Field of Classification Search**  
USPC ..... D15/10, 11, 15, 17, 22, 23, 25, 26, 28, D15/30; D25/3, 16, 31, 56  
CPC ..... E02F 9/18; E02F 9/163; E02F 3/00; E02F 3/32; E02F 3/34; E02F 3/40; E02F 3/76; F01N 13/001; F01N 2590/08; B66F 11/04; B66F 11/046

**DESCRIPTION**

See application file for complete search history.

FIG. 1 is a front, left-side, and top view of a canopy for an aerial work platform, showing the new design.

FIG. 2 is a top plan view of the canopy for an aerial work platform.

FIG. 3 is a front elevation of the canopy for an aerial work platform.

FIG. 4 is a right-side elevation of the canopy for an aerial work platform.

FIG. 5 is a left-side elevation of the canopy for an aerial work platform.

FIG. 6 is a rear elevation of the canopy for an aerial work platform.

FIG. 7 is an underside plan view of the canopy for an aerial work platform; and,

FIG. 8 is a right-side, back, and top view of the canopy for an aerial work platform.

The broken lines show unclaimed elements of the canopy for an aerial work platform and do not form part of the claimed design.

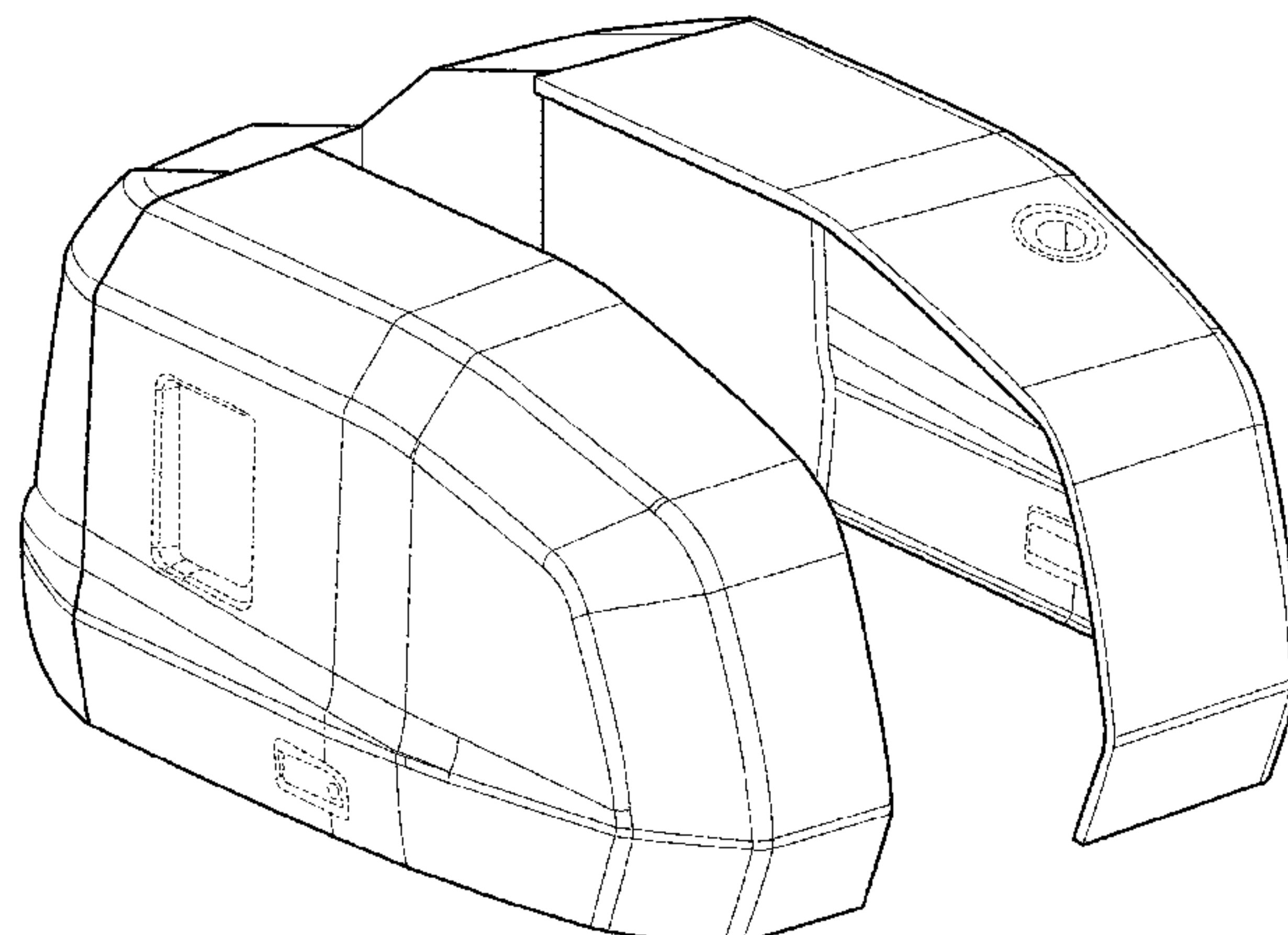
(56) **References Cited**

U.S. PATENT DOCUMENTS

D241,334 S \* 9/1976 Howard ..... 52/82  
D275,888 S \* 10/1984 Lauer ..... D25/1  
5,669,517 A \* 9/1997 Donaldson ..... B66F 11/046  
212/196  
6,119,882 A \* 9/2000 Crook ..... B60B 35/003  
180/433  
D487,575 S \* 3/2004 Wetzel ..... D15/33  
D738,403 S \* 9/2015 Imashige ..... D15/22

(Continued)

**1 Claim, 5 Drawing Sheets**



(56)

**References Cited**

U.S. PATENT DOCUMENTS

D772,954 S \* 11/2016 Harms ..... D15/28  
D776,724 S \* 1/2017 Harms ..... D15/30  
D777,218 S \* 1/2017 Harms ..... D15/30  
D797,160 S \* 9/2017 Yeu ..... D15/30  
D797,814 S \* 9/2017 Hashimoto ..... D15/28  
2009/0218173 A1 \* 9/2009 Beeson ..... B66F 11/046  
187/234  
2011/0187152 A1 \* 8/2011 Lin ..... B62D 33/06  
296/181.1  
2012/0241250 A1 \* 9/2012 Eakin ..... B66F 11/044  
182/2.2  
2014/0251726 A1 \* 9/2014 Ditty ..... F16L 3/015  
182/69.4  
2017/0291805 A1 \* 10/2017 Hao ..... B60P 1/34

OTHER PUBLICATIONS

<https://www.youtube.com/watch?v=fxcPGv3LUrA> Uploaded Dec. 29, 2014 (Year: 2014).\*

<http://www.sinolifter.com/boom-lift/self-propelled-articulated-boom-lift.html> Uploaded Jun. 28, 2016 (Year: 2016).\*

<http://simscrane.com/local-jlg-aerial-work-platform-dealer/> Uploaded May 2016 (Year: 2016).\*

\* cited by examiner

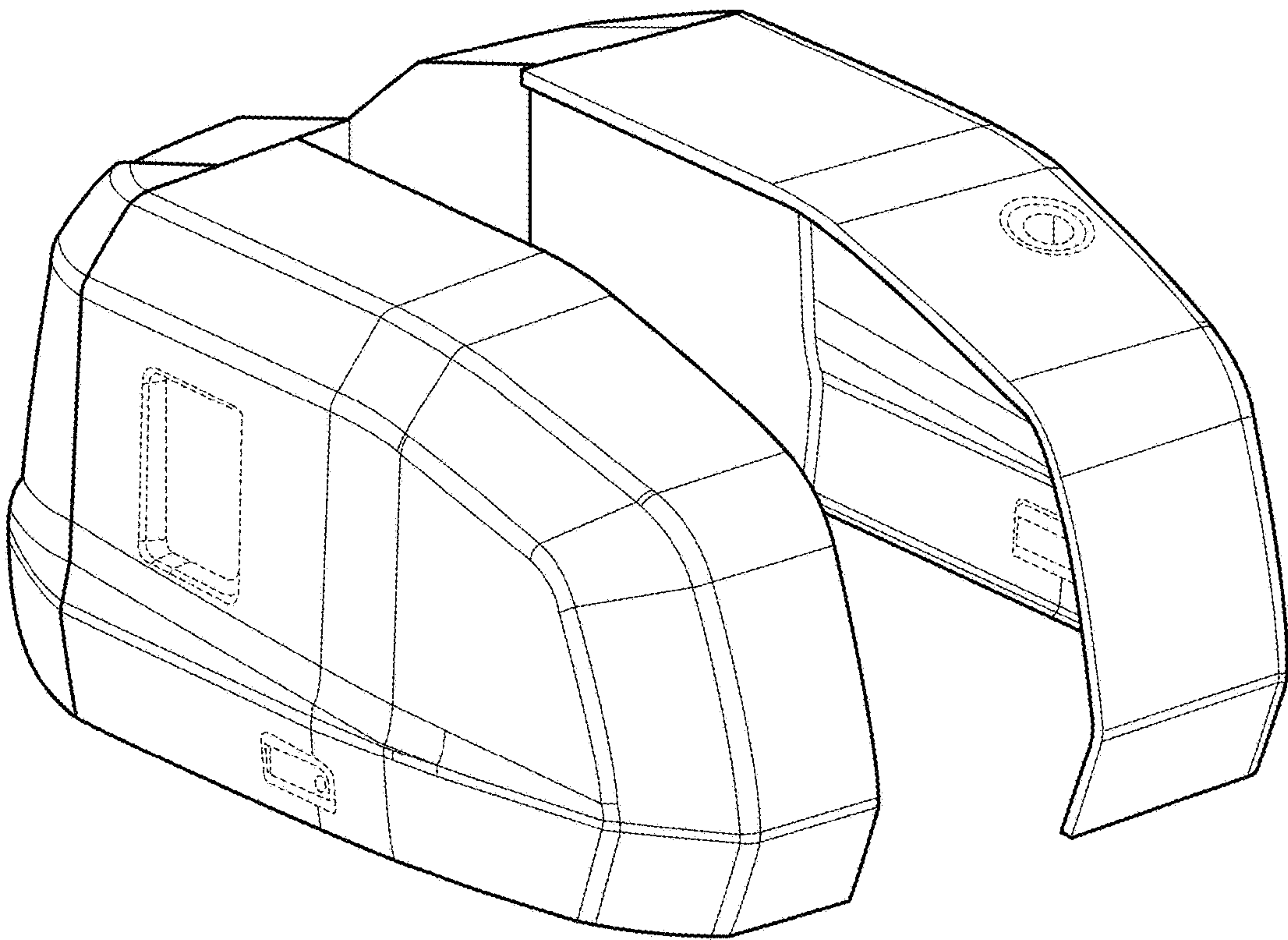


FIG. 1

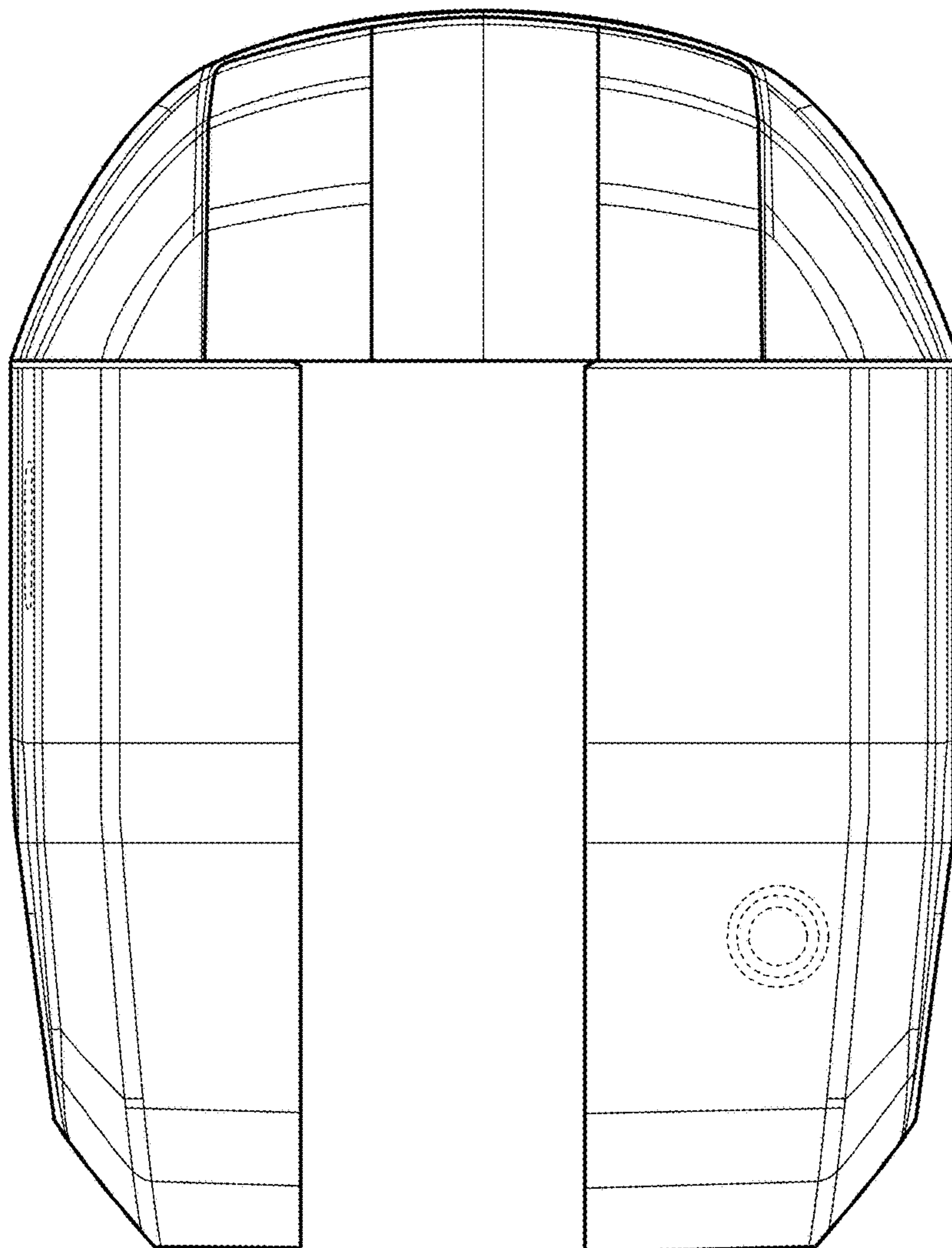


FIG. 2

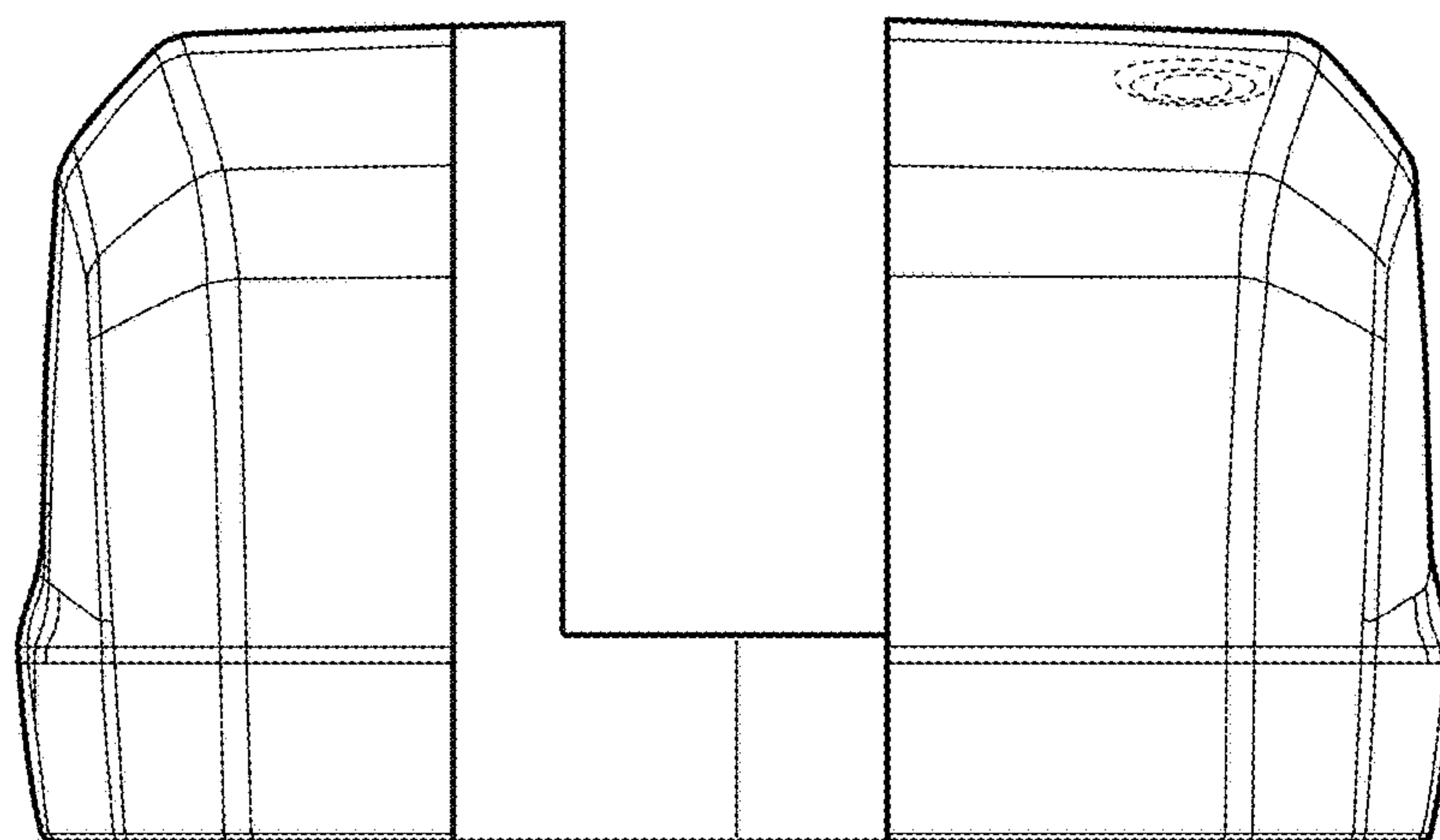


FIG. 3



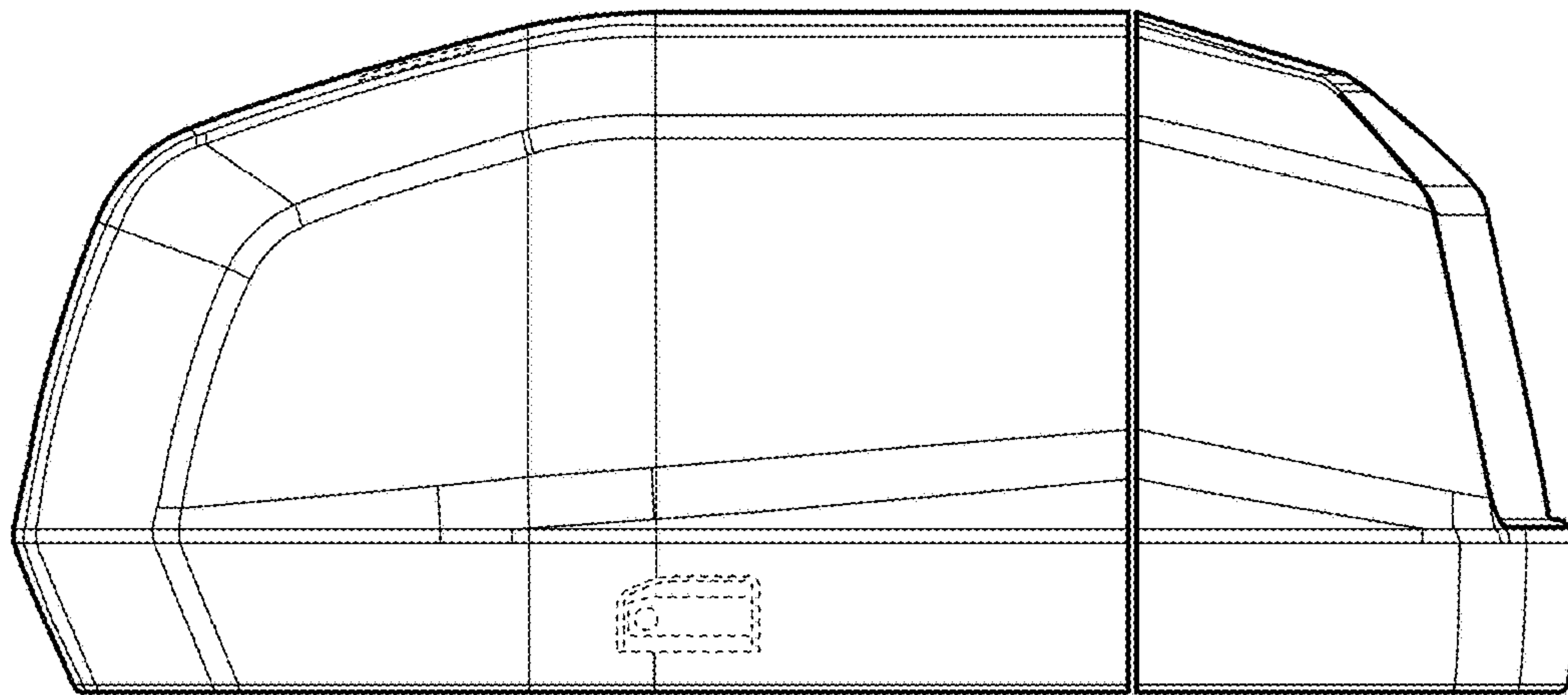


FIG. 4

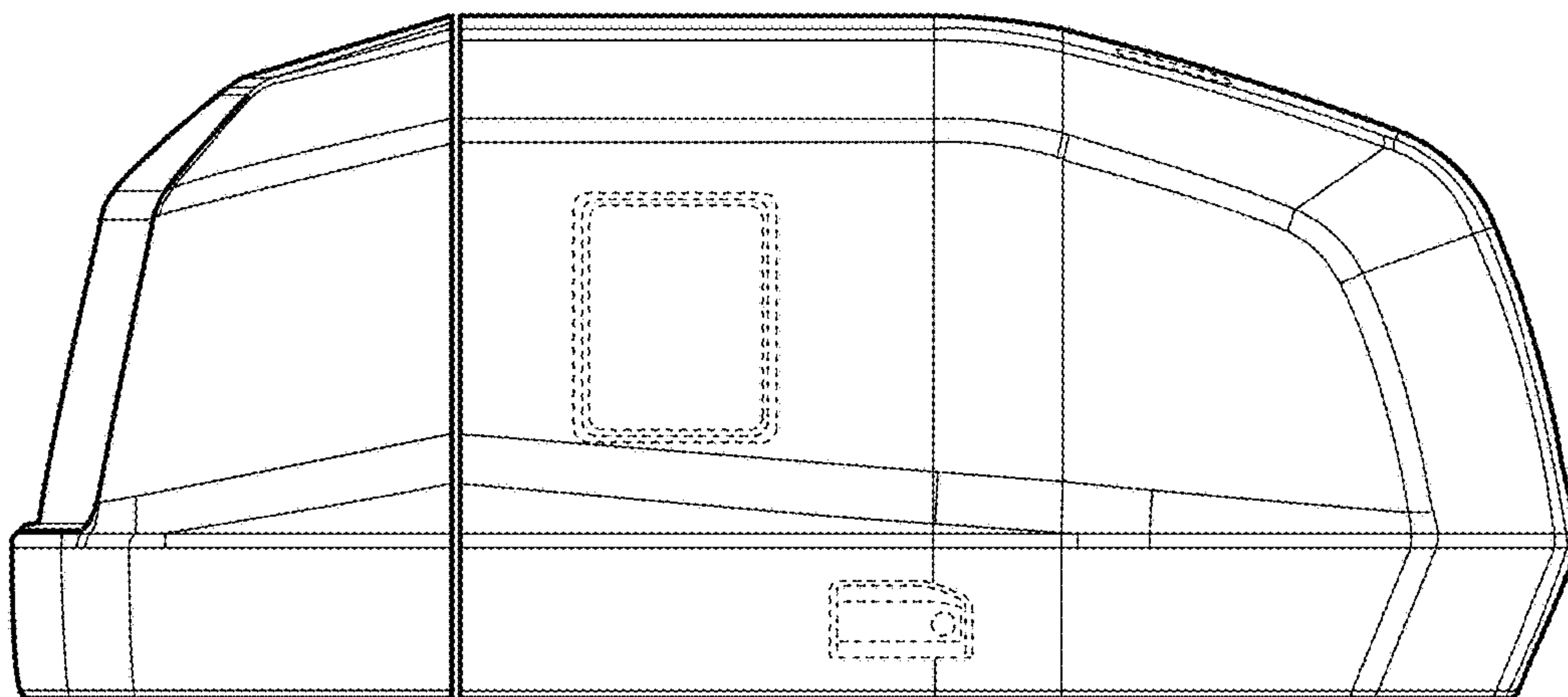


FIG. 5

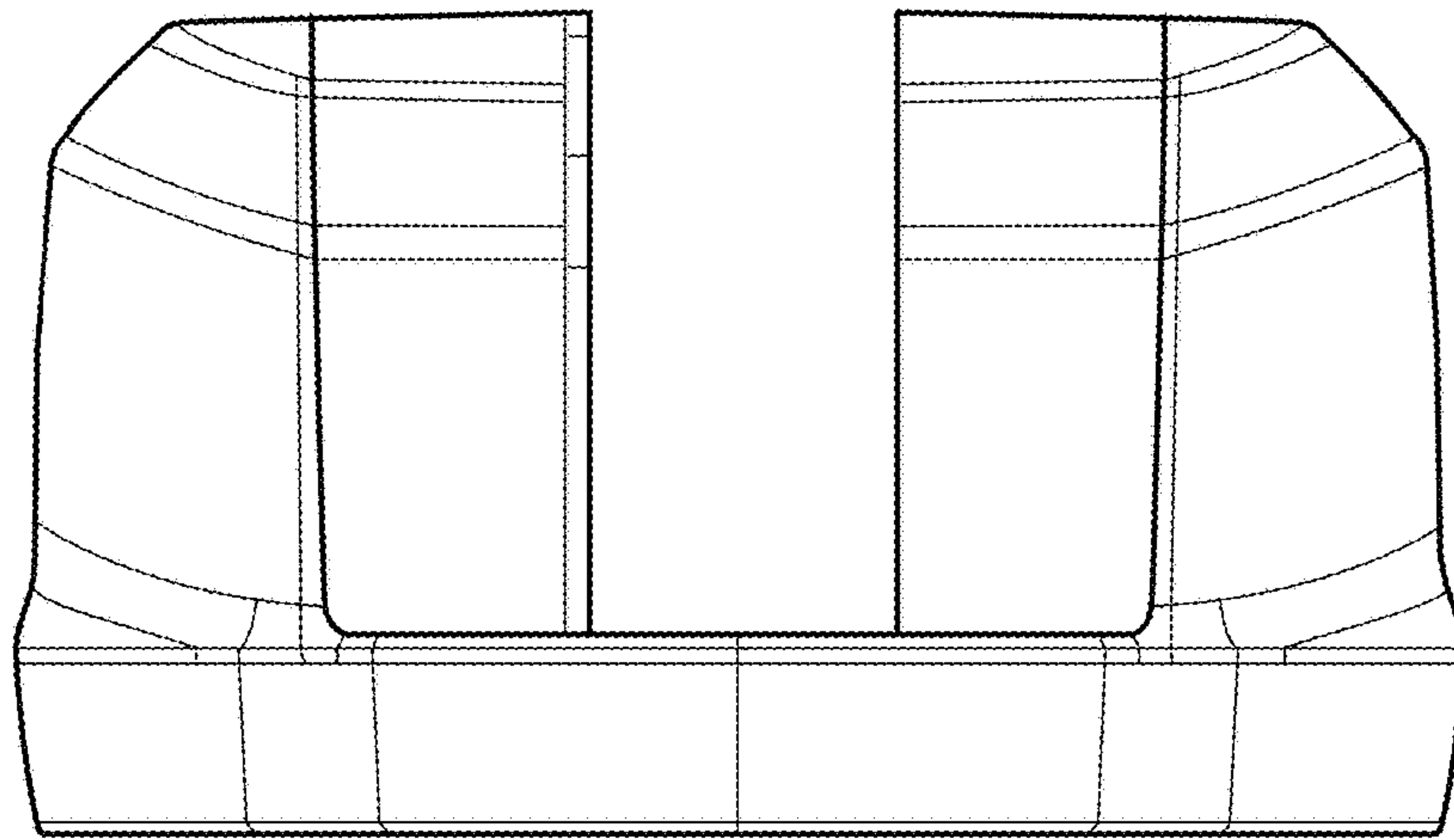


FIG. 6

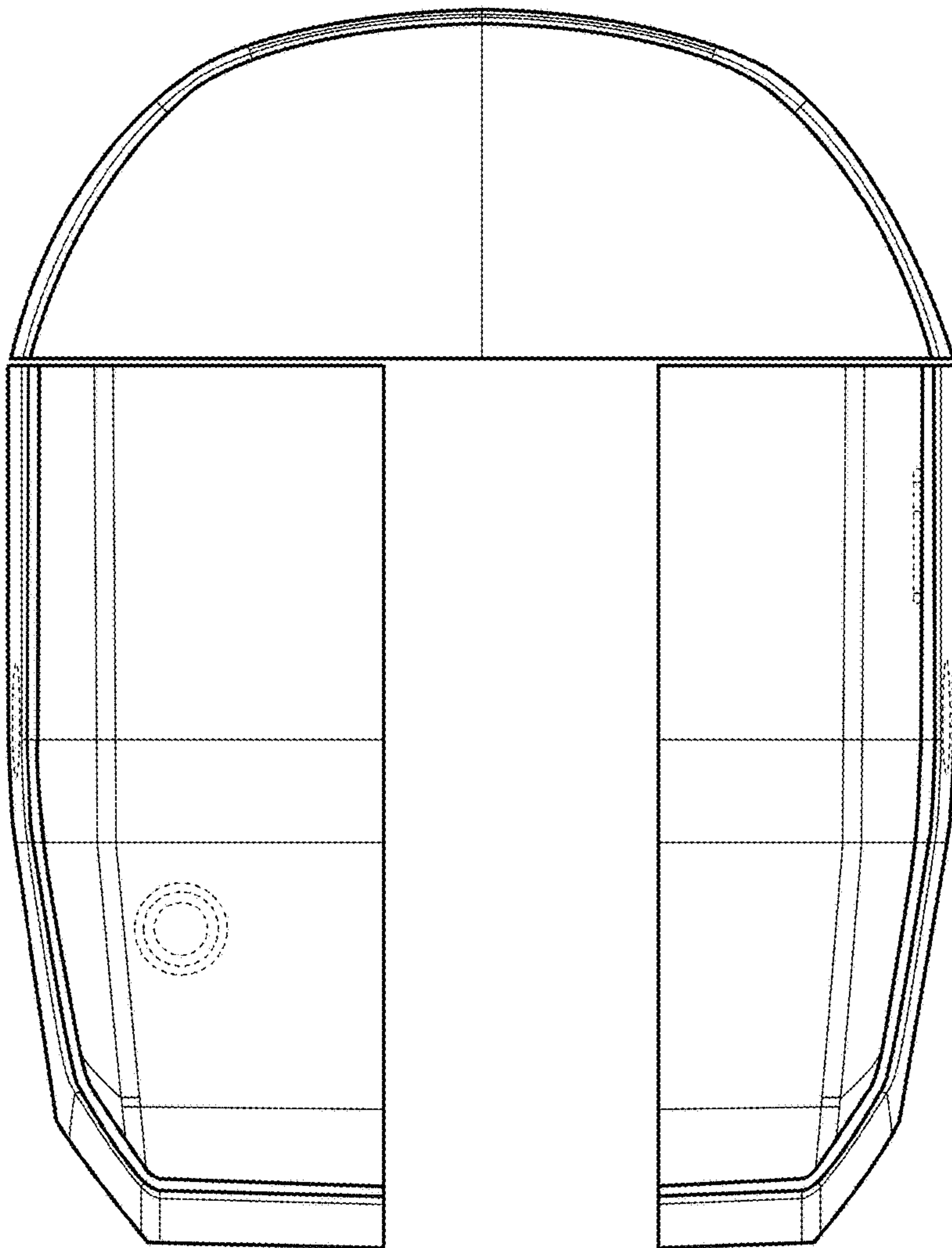


FIG. 7

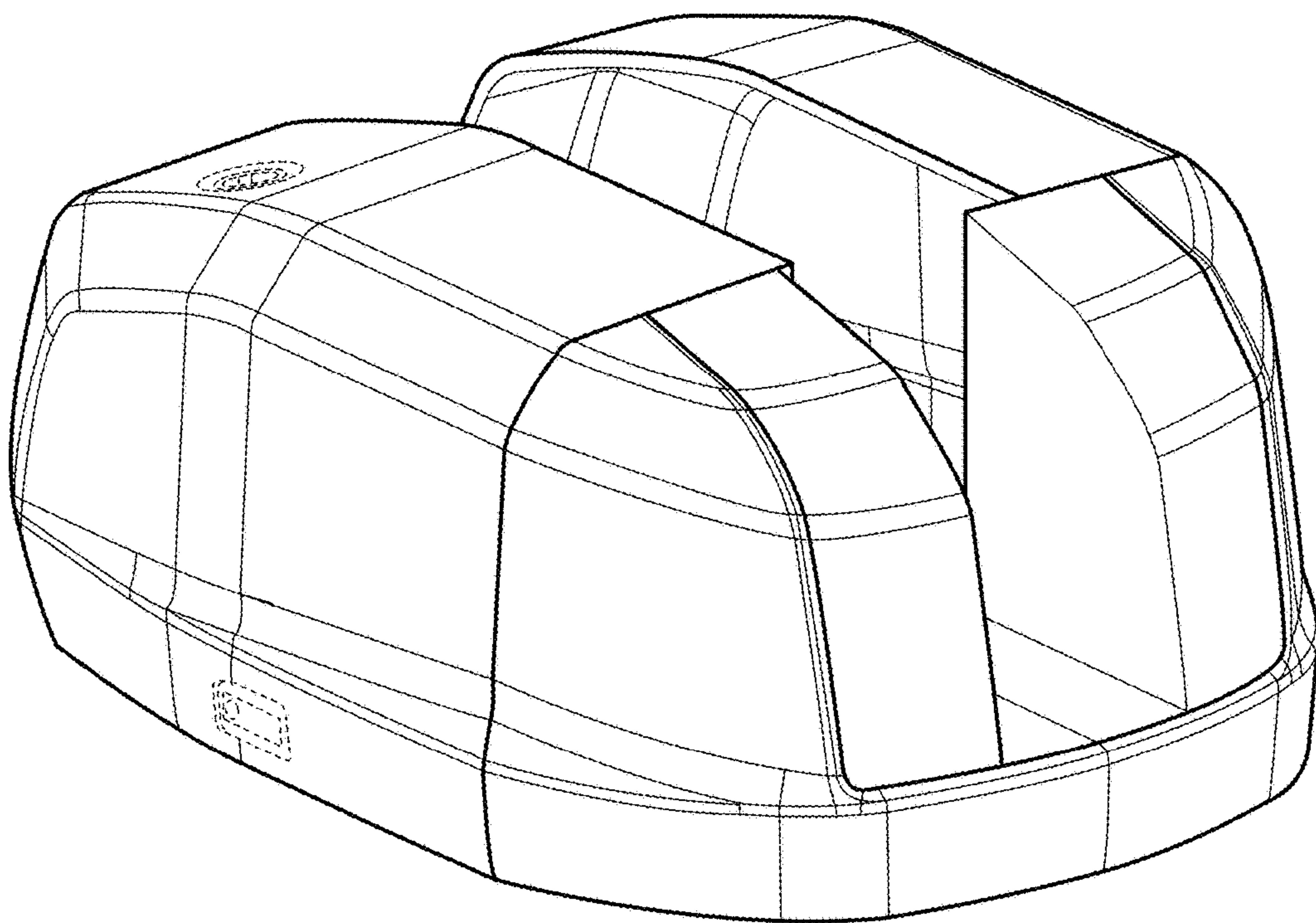


FIG. 8