

US00D823349S

(12) **United States Design Patent** (10) **Patent No.:** **US D823,349 S**  
**Hakes et al.** (45) **Date of Patent:** **\*\* Jul. 17, 2018**

(54) **UNDERCARRIAGE TRACK SHOE FOR MOBILE EARTHMOVING MACHINE**  
(71) Applicant: **Caterpillar Inc.**, Peoria, IL (US)  
(72) Inventors: **David J. Hakes**, Brimfield, IL (US); **Benjamin Jones**, Washington, IL (US); **Gustavo Acosta**, Flossmoor, IL (US); **Benoit Abello**, Dunlap, IL (US); **Jason Beckerdite**, Morton, IL (US)  
(73) Assignee: **Caterpillar Inc.**, Deerfield, IL (US)

4,098,543 A 7/1978 Sturges  
4,099,795 A 7/1978 Roley  
RE29,723 E 8/1978 Haslett et al.  
4,105,260 A 8/1978 Blunier et al.  
4,116,497 A 9/1978 Schimpf et al.  
4,123,120 A 10/1978 Kohriyama  
4,128,277 A 12/1978 Meisel, Jr.  
4,129,045 A 12/1978 Kishitani  
4,141,601 A 2/1979 Stedman  
4,175,797 A \* 11/1979 Krekeler ..... B62D 55/20  
305/196

(Continued)

(\*\*) Term: **15 Years**

FOREIGN PATENT DOCUMENTS

(21) Appl. No.: **29/602,889**

AU 139354 12/1999  
AU 140881 6/2000

(22) Filed: **May 4, 2017**

(Continued)

(51) **LOC (11) Cl.** ..... **15-03**

(52) **U.S. Cl.**  
USPC ..... **D15/28**

OTHER PUBLICATIONS

(58) **Field of Classification Search**  
USPC ..... D15/28, 22-26, 10; 305/46, 51, 111, 305/198, 553, 204, 193  
CPC ..... B62D 55/20; B62D 55/202; B62D 55/28; B62D 55/205; B62D 55/26; B62D 55/12  
See application file for complete search history.

AVSpare, Rebuild Guidelines for the Suspended Track Roller Frames{4150, 4151} Caterpillar, available at least as early as 2017. Caterpillar, "Cat® Tri- and Quad-Link Tracks,"© 2010. U.S. Appl. No. 14/461,328, filed Aug. 15, 2014, titled "Joint Bushings for Track Joint Assemblies." (unpublished).

(Continued)

(56) **References Cited**

*Primary Examiner* — Mark Goodwin  
(74) *Attorney, Agent, or Firm* — Saidman Design Law Group

U.S. PATENT DOCUMENTS

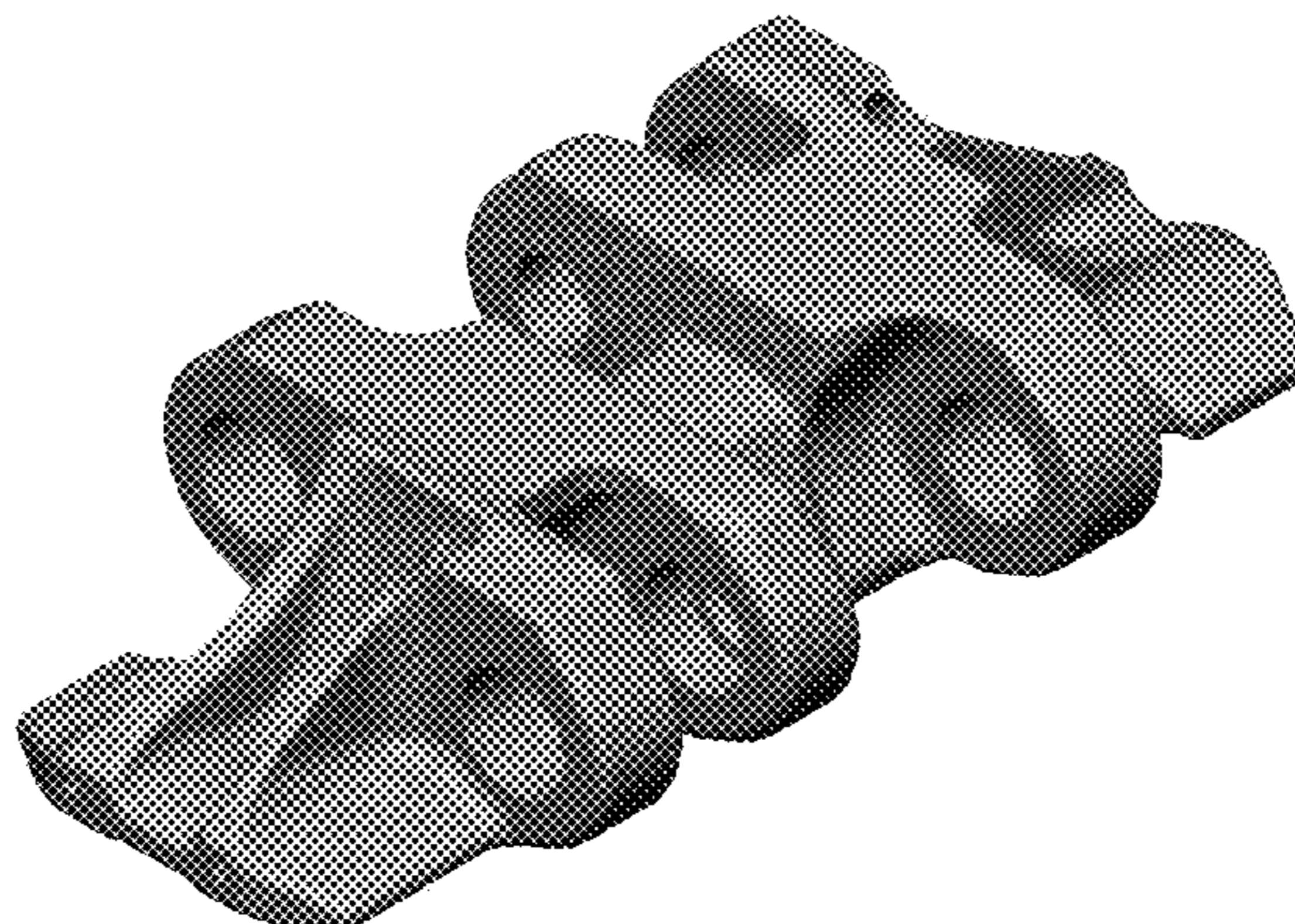
1,975,107 A 10/1934 Knox et al.  
2,452,921 A 11/1948 Gillespie  
2,999,723 A 9/1961 Ostberg et al.  
3,007,745 A 11/1961 Even  
3,035,872 A 5/1962 Rich  
3,169,039 A 2/1965 Baker et al.  
3,171,695 A 3/1965 Schick  
3,333,903 A 8/1967 Orr et al.  
3,372,959 A 3/1968 Watts, Jr.  
3,721,476 A \* 3/1973 Andersson ..... B60F 3/0015  
305/162  
3,937,530 A 2/1976 Sturges  
3,947,074 A 3/1976 Nelson  
3,955,855 A 5/1976 Massieon et al.  
4,003,608 A 1/1977 Carter  
4,036,538 A 7/1977 Haslett et al.  
4,081,202 A 3/1978 Kozuki  
4,082,372 A 4/1978 Kozuki

(57) **CLAIM**  
The ornamental design for an undercarriage track shoe for mobile earthmoving machine, as shown and described.

**DESCRIPTION**

FIG. 1 is a perspective view of an undercarriage track shoe for mobile earthmoving machine showing our new design; FIG. 2 is another perspective view thereof; FIG. 3 is a front view thereof; FIG. 4 is a rear view thereof; FIG. 5 is a left side view thereof; FIG. 6 is a right side view thereof; FIG. 7 is a top view thereof; and, FIG. 8 is a bottom view thereof. Grayscale shading illustrates contour.

**1 Claim, 6 Drawing Sheets**



(56)

References Cited

U.S. PATENT DOCUMENTS

4,176,887 A 12/1979 Alpers et al.  
 4,222,616 A 9/1980 Brewer  
 4,265,084 A 5/1981 Livesay  
 4,306,753 A 12/1981 Livesay et al.  
 4,365,848 A 12/1982 Grilli et al.  
 4,423,910 A 1/1984 Narang  
 4,444,441 A 4/1984 Parker  
 4,449,357 A 5/1984 Balitch  
 4,457,565 A 7/1984 Bissi et al.  
 4,459,124 A 7/1984 Newton  
 4,530,546 A 7/1985 Meisel, Jr.  
 4,553,791 A 11/1985 Blair  
 4,602,825 A 7/1986 Meisel, Jr.  
 4,636,014 A 1/1987 Dennison et al.  
 4,763,961 A 8/1988 Parrott  
 4,880,283 A 11/1989 Savage et al.  
 4,890,892 A 1/1990 Haslett  
 4,904,030 A 2/1990 Ono  
 4,995,678 A 2/1991 Jinkens  
 5,172,965 A 12/1992 Taft  
 5,183,318 A 2/1993 Taft et al.  
 5,201,171 A 4/1993 Anderton et al.  
 D338,020 S 8/1993 Taft  
 5,295,741 A 3/1994 Togashi et al.  
 5,482,364 A 1/1996 Edwards et al.  
 5,692,985 A 12/1997 Hirata et al.  
 5,704,697 A 1/1998 Ketting et al.  
 5,759,309 A 6/1998 Watts et al.  
 5,887,958 A 3/1999 Bissi et al.  
 5,927,665 A 7/1999 Grabnic  
 6,109,706 A 8/2000 Oertley  
 6,120,405 A 9/2000 Oertley et al.  
 D435,565 S 12/2000 Barani  
 RE37,254 E 7/2001 Ketting et al.  
 6,322,173 B1 11/2001 Maguire et al.  
 6,354,679 B1 3/2002 Maguire et al.  
 6,364,438 B1 4/2002 Hasselbusch et al.  
 6,416,142 B1 7/2002 Oertley  
 6,422,667 B2 7/2002 Miyaura  
 6,431,665 B1 8/2002 Banerjee et al.  
 6,474,754 B1 11/2002 Hasselbusch  
 6,543,863 B1 \* 4/2003 Hannan ..... B62D 55/20  
 305/111  
 6,565,161 B2 5/2003 Anderton  
 D484,149 S \* 12/2003 Hannan ..... D15/28  
 6,659,573 B1 \* 12/2003 Knecht ..... B62D 55/08  
 305/195  
 6,783,196 B2 8/2004 Maguire et al.  
 6,951,096 B2 10/2005 Maguire et al.  
 7,007,360 B2 3/2006 Huenefeld et al.  
 7,040,080 B2 5/2006 Okawa et al.  
 7,100,353 B1 9/2006 Maguire  
 7,325,889 B2 2/2008 Yamamoto et al.  
 7,345,255 B2 3/2008 Jiang et al.  
 7,530,650 B2 5/2009 Hannan et al.  
 7,614,709 B2 11/2009 Oertley  
 7,661,774 B2 2/2010 Yamamoto et al.  
 7,776,451 B2 8/2010 Jiang et al.  
 7,806,209 B2 10/2010 Standish et al.  
 7,850,256 B2 12/2010 Mulligan  
 7,877,977 B2 2/2011 Johannsen et al.  
 7,896,766 B2 3/2011 Mitzschke et al.  
 8,070,241 B2 12/2011 Mulligan  
 8,075,069 B2 12/2011 Pech et al.  
 8,172,342 B2 5/2012 Diekevers et al.  
 D665,826 S 8/2012 Clarke et al.  
 8,336,970 B2 12/2012 Johannsen et al.  
 8,851,582 B2 10/2014 Grenzi  
 D719,588 S 12/2014 Meyer et al.  
 9,045,180 B2 6/2015 Brewer et al.  
 9,216,782 B2 12/2015 Kunigk  
 D748,153 S \* 1/2016 Colwell ..... D15/28  
 D751,609 S 3/2016 Meyer et al.

9,272,742 B2 3/2016 Hisamatsu et al.  
 9,359,024 B2 6/2016 Meyer et al.  
 D763,931 S \* 8/2016 Colwell ..... D15/28  
 9,409,613 B2 8/2016 Hakes  
 D767,641 S 9/2016 Knobloch et al.  
 9,434,425 B2 9/2016 Kaufmann et al.  
 D769,333 S 10/2016 Knobloch et al.  
 9,505,453 B2 11/2016 Brewer et al.  
 9,688,325 B2 \* 6/2017 Hakes ..... B62D 55/21  
 9,738,334 B2 \* 8/2017 Talbot ..... B62D 55/202  
 2003/0090151 A1 5/2003 Takeno et al.  
 2003/0122425 A1 7/2003 Banerjee  
 2005/0040708 A1 2/2005 Yamamoto et al.  
 2006/0017323 A1 1/2006 Wodrich et al.  
 2008/0217994 A1 9/2008 McRae et al.  
 2008/0265667 A1 10/2008 Livesay  
 2009/0026836 A1 1/2009 Maeda  
 2009/0102281 A1 4/2009 Diekevers et al.  
 2010/0007206 A1 1/2010 Wodrich  
 2010/0133898 A1 6/2010 Johannsen et al.  
 2010/0139993 A1 6/2010 Sebright et al.  
 2010/0141005 A1 6/2010 Mackert  
 2010/0141027 A1 6/2010 Fischer et al.  
 2013/0241277 A1 9/2013 Giusti  
 2014/0001822 A1 1/2014 Thorson et al.  
 2014/0001827 A1 1/2014 Kaufmann et al.  
 2014/0001828 A1 1/2014 Meyer et al.  
 2014/0001830 A1 1/2014 Meyer et al.  
 2014/0001831 A1 1/2014 Thorson et al.  
 2014/0070603 A1 3/2014 Wodrich et al.  
 2014/0292068 A1 10/2014 Hisamatsu et al.  
 2015/0061374 A1 3/2015 Diekevers et al.  
 2015/0158536 A1 6/2015 Takagi et al.  
 2015/0266526 A1 9/2015 Liu et al.  
 2015/0375813 A1 \* 12/2015 Talbot ..... B62D 55/202  
 305/198  
 2016/0023697 A1 1/2016 Neyer  
 2016/0176456 A1 6/2016 Oertley  
 2017/0021878 A9 \* 1/2017 Talbot ..... B62D 55/202

FOREIGN PATENT DOCUMENTS

AU 143748 5/2001  
 AU 149531 10/2002  
 AU 304403 11/2005  
 AU 310269 9/2006  
 AU 324833 2/2009  
 CL 145-1939 7/1939  
 CL 75-1943 3/1943  
 CL 92-1990 5/1990  
 CL 1488-2002 9/2002  
 CL 2980-2001 8/2003  
 DE 1089650 B 9/1960  
 DE 2708538 A1 8/1978  
 EM 000302823-0001 2/2005  
 EM 000450028-0003 12/2005  
 EM 000450028-0006 12/2005  
 EM 000472956-0001 1/2006  
 EM 000528807-0001 5/2006  
 EM 000528807-0002 5/2006  
 EM 000528807-0003 5/2006  
 GB 2087930 11/1999  
 JP 4431416 B2 3/2010  
 JP 5956480 B2 7/2016  
 WO WO9946158 A1 9/1999  
 WO 2012/116674 A1 9/2012

OTHER PUBLICATIONS

U.S. Appl. No. 14/461,289, filed Aug. 15, 2014, titled "Track Joint Assemblies." (unpublished).  
 U.S. Appl. No. 14/461,269, filed Aug. 15, 2014. (unpublished).  
 U.S. Appl. No. 14/825,456, filed Aug. 13, 2014 (unpublished).

\* cited by examiner

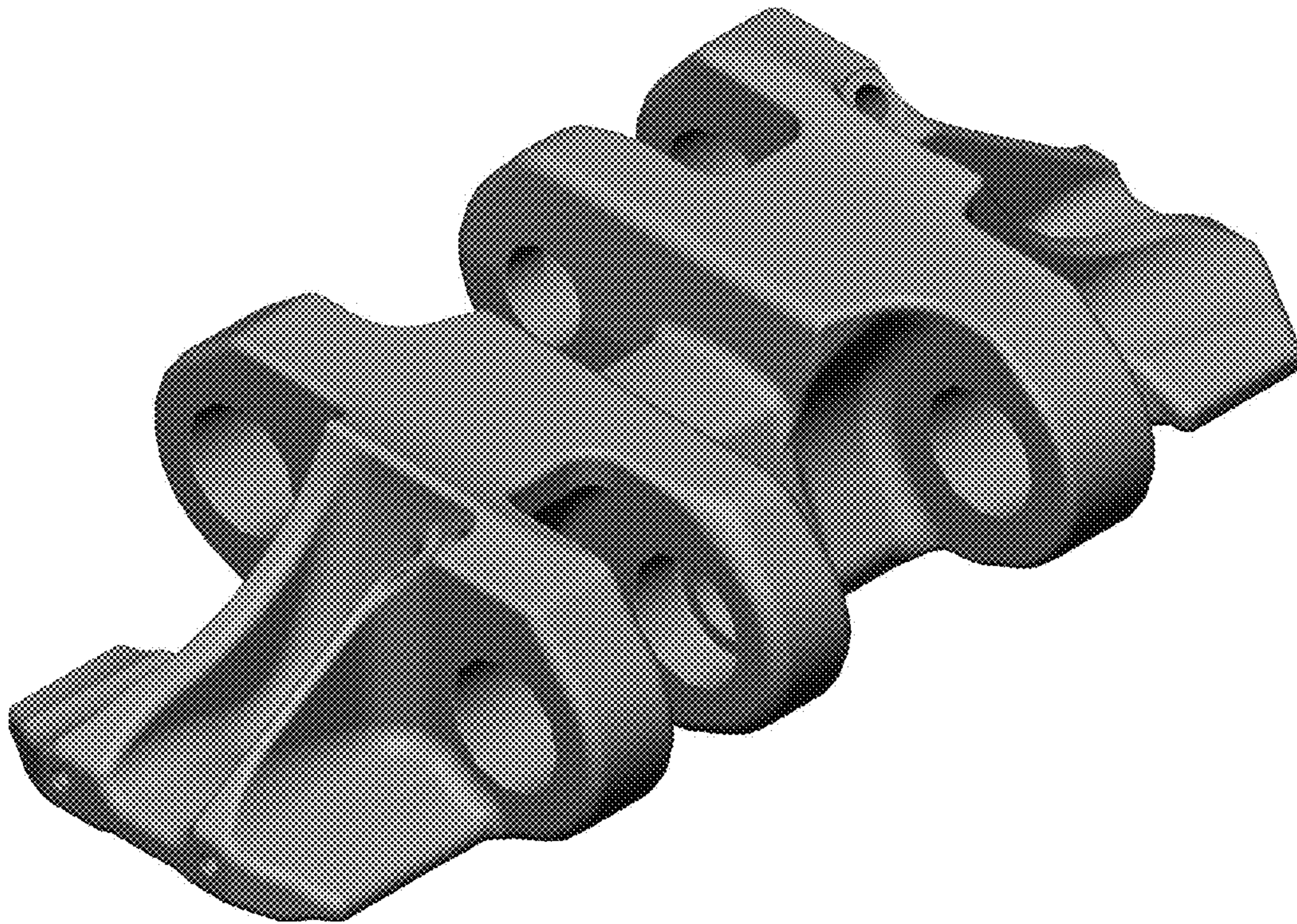


FIG. 1

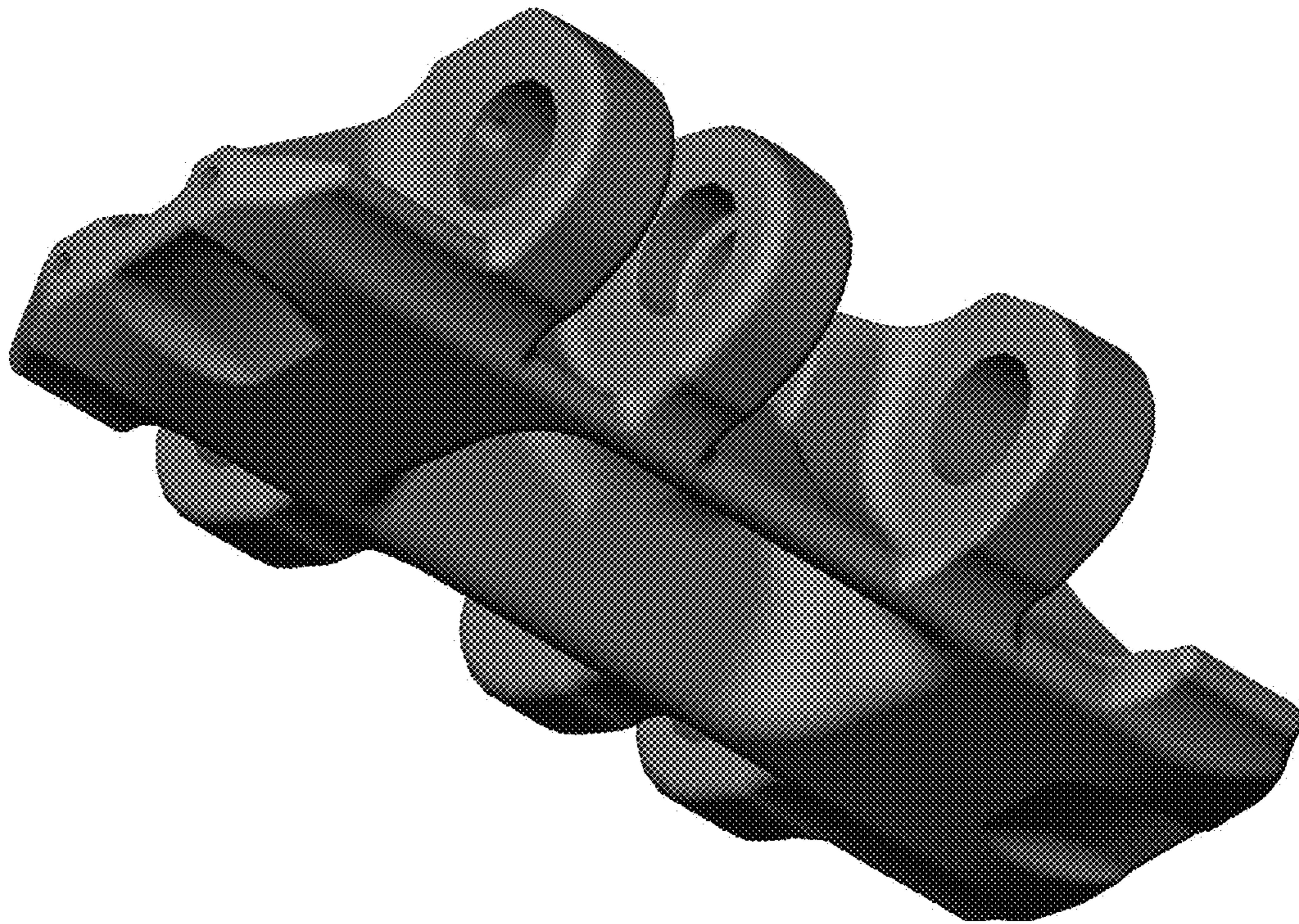


FIG. 2

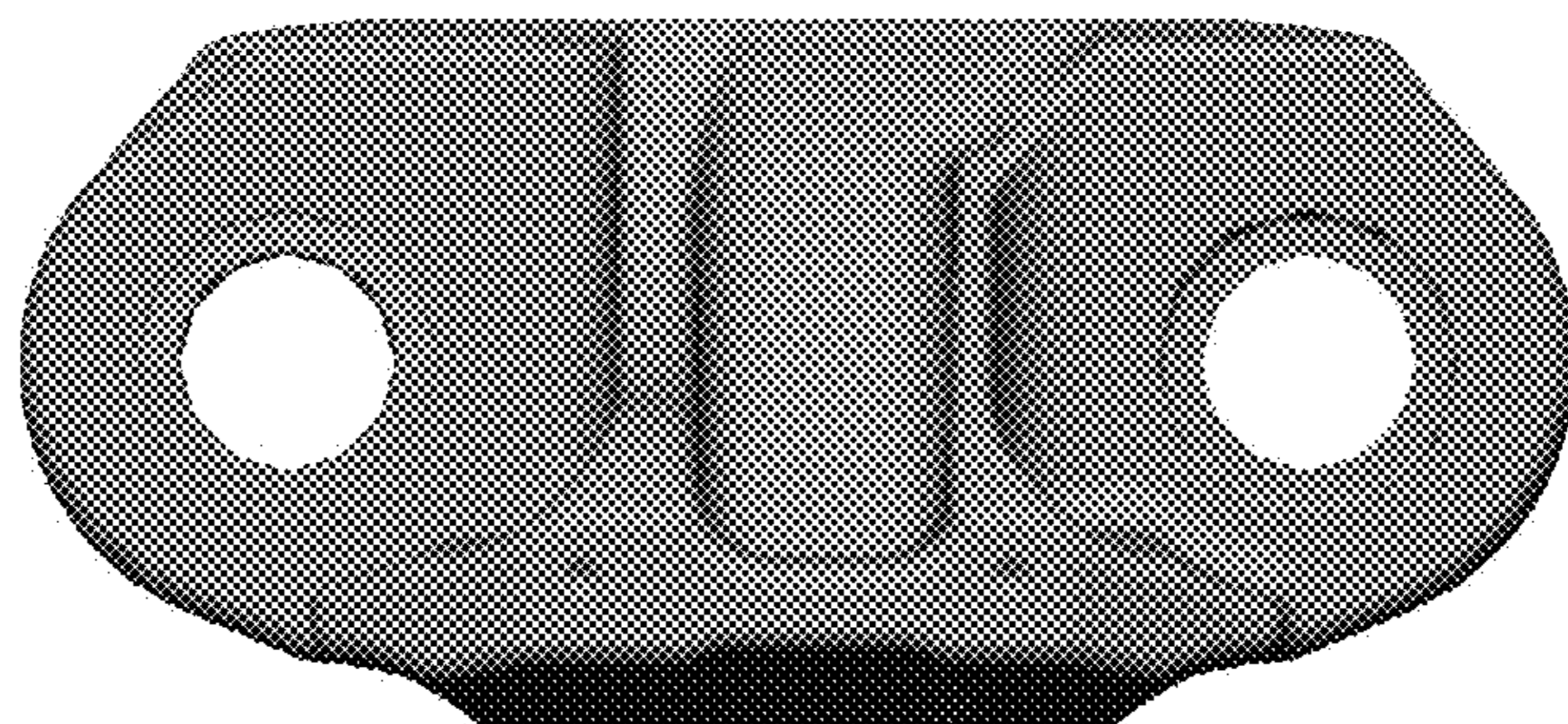


FIG. 3

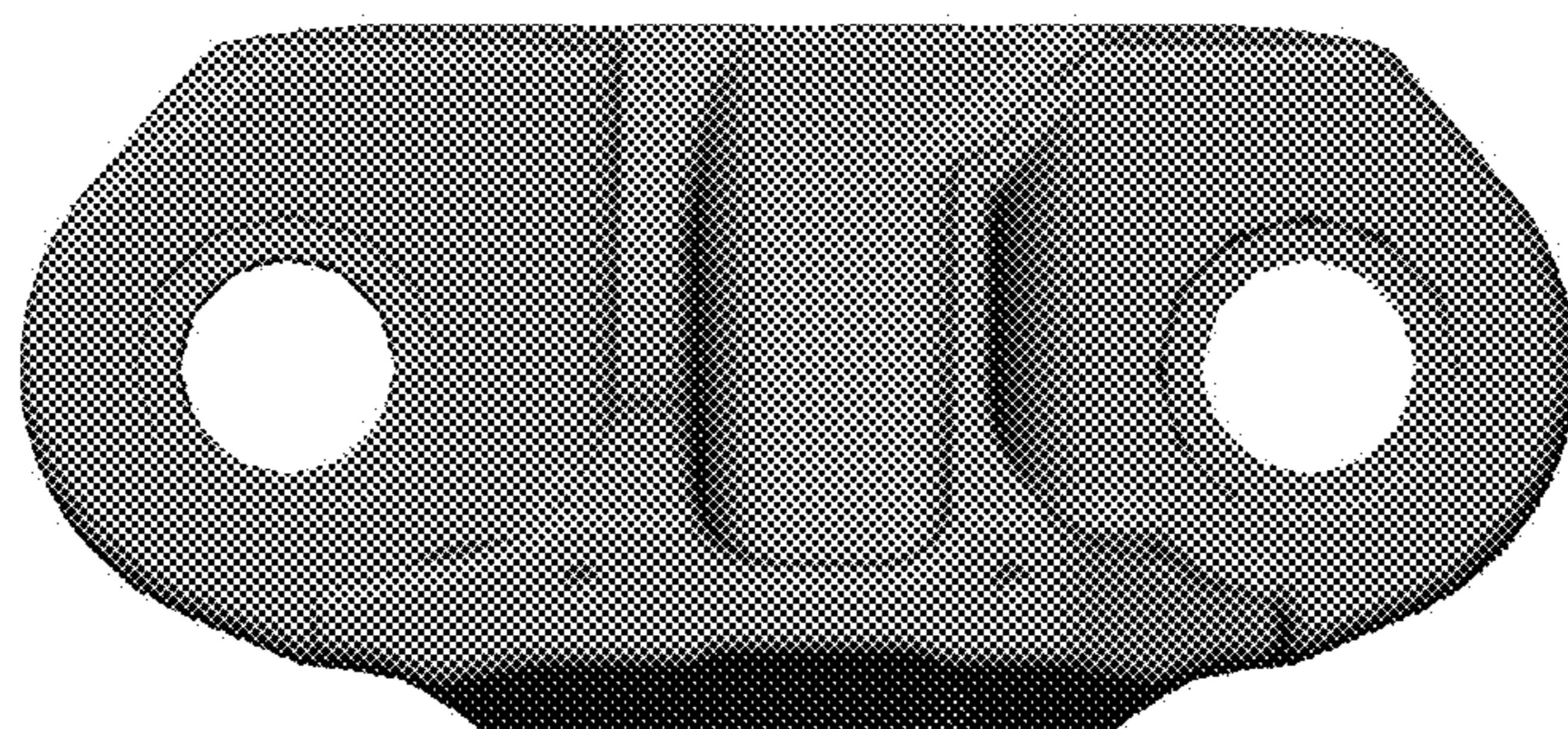


FIG. 4

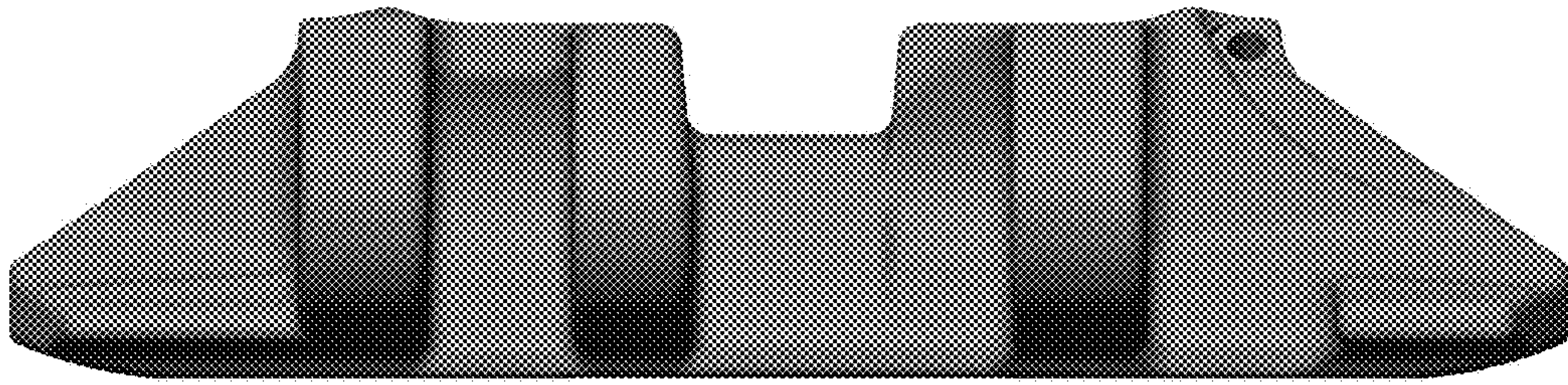


FIG. 5

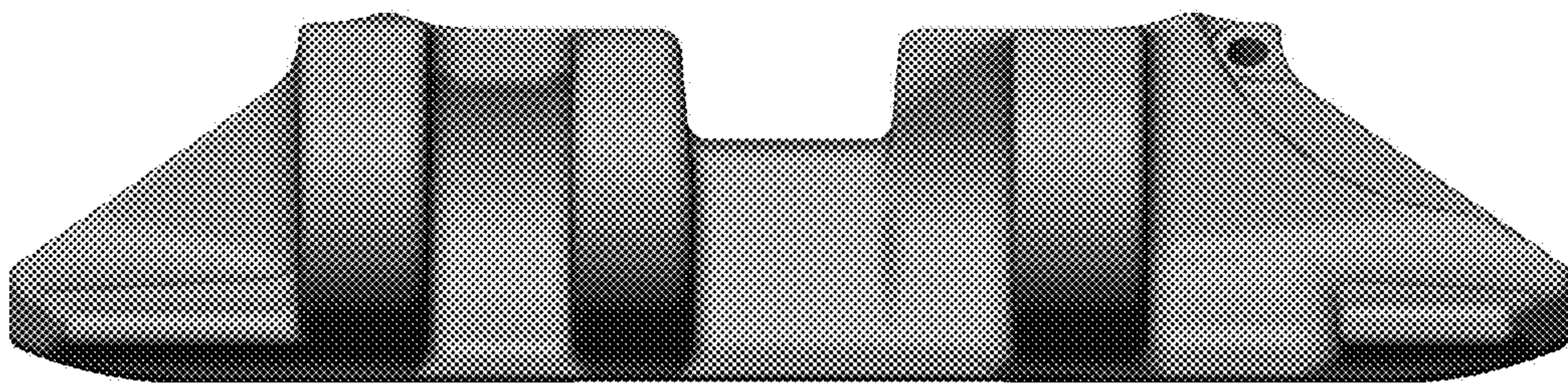


FIG. 6

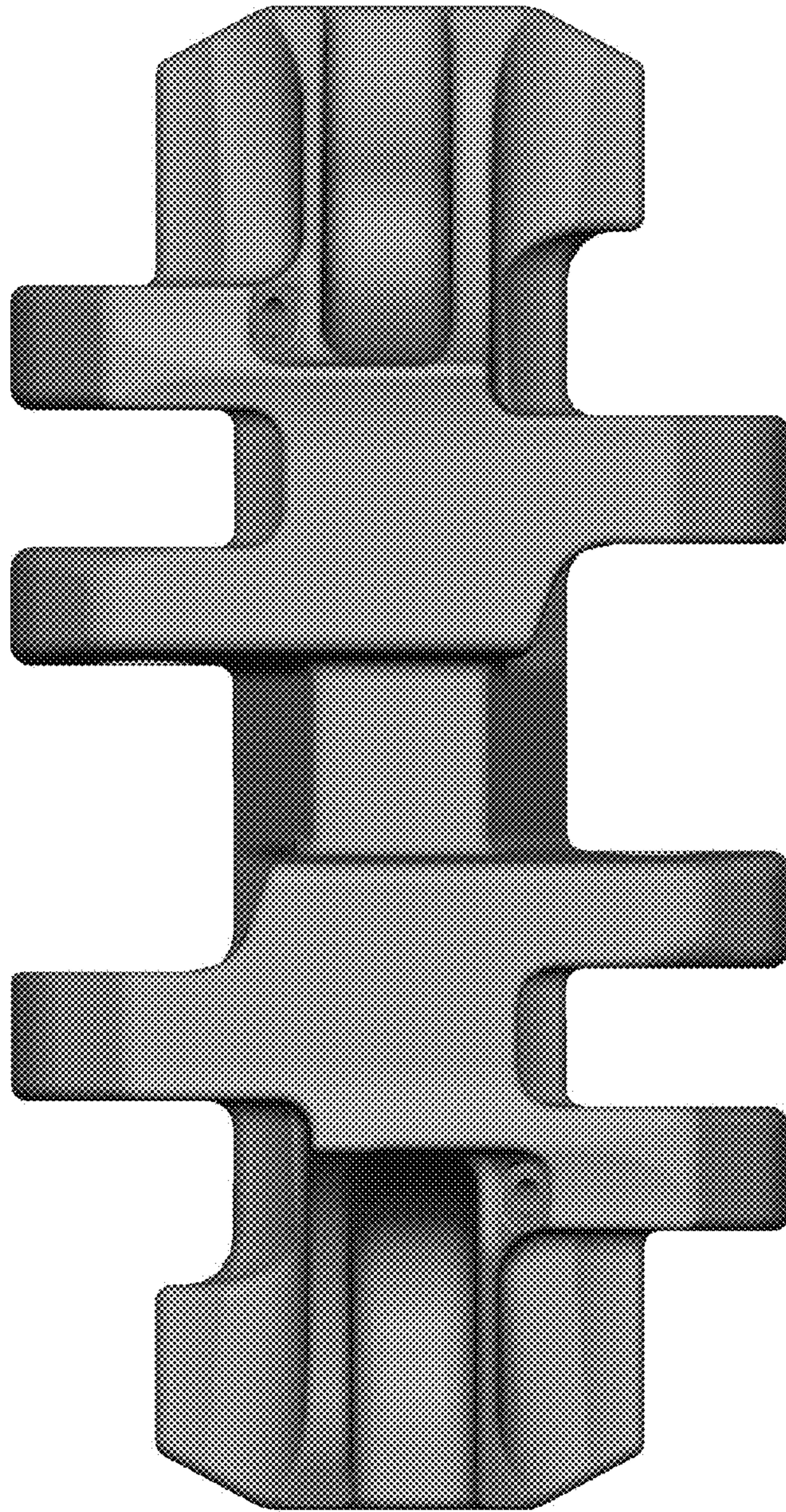


FIG. 7

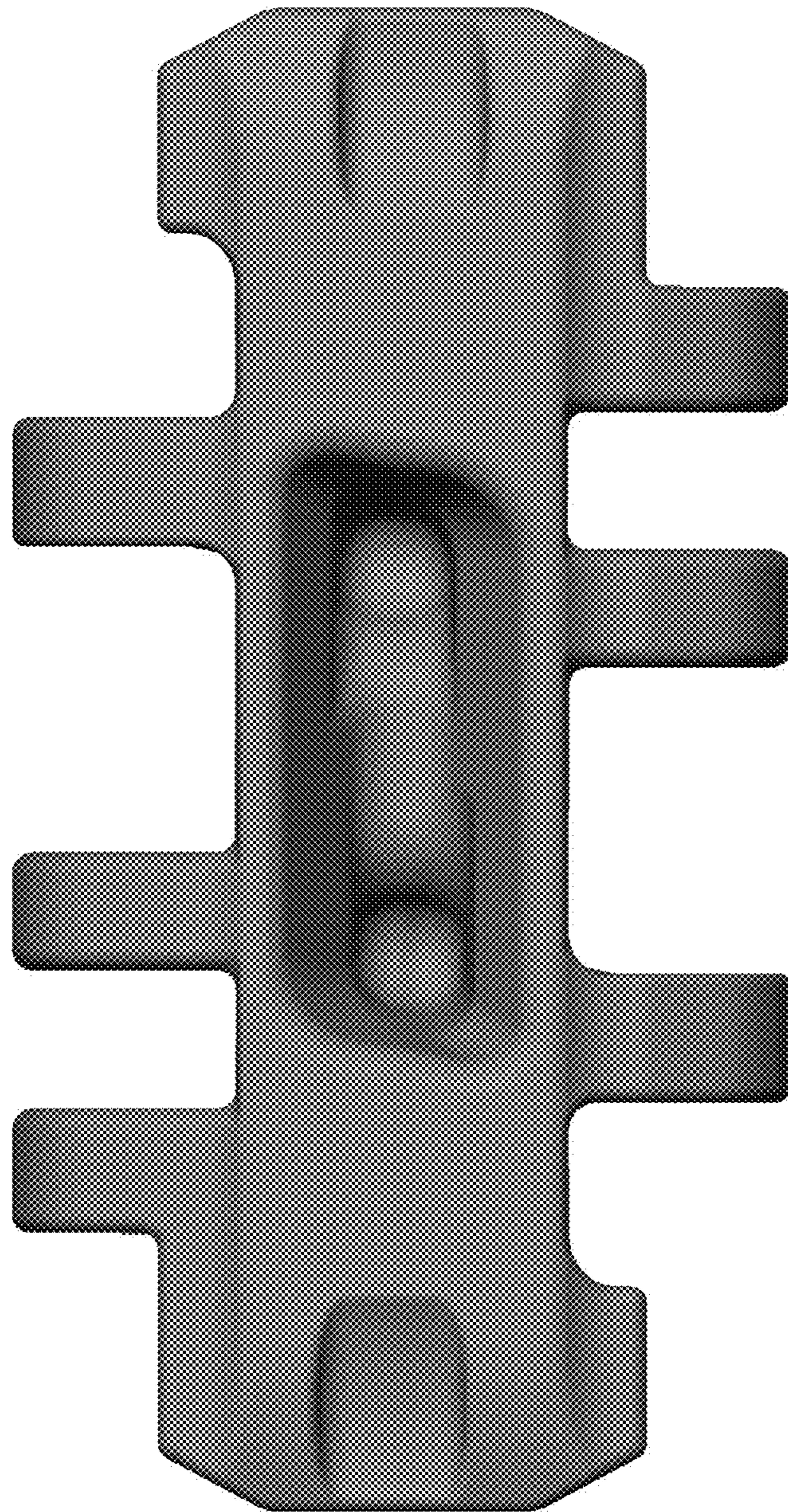


FIG. 8