



US00D823347S

(12) **United States Design Patent**
Lovely et al.

(10) **Patent No.:** **US D823,347 S**
(45) **Date of Patent:** **** Jul. 17, 2018**

- (54) **FRAME**
- (71) Applicant: **Home Depot Product Authority, LLC**,
Atlanta, GA (US)
- (72) Inventors: **Dominic Lovely**, Centennial, CO (US);
Brent Christopher, Centennial, CO
(US)
- (73) Assignee: **Home Depot Product Authority, LLC**,
Atlanta, GA (US)
- (**) Term: **15 Years**
- (21) Appl. No.: **29/603,550**
- (22) Filed: **May 10, 2017**
- (51) **LOC (11) Cl.** **15-03**
- (52) **U.S. Cl.**
USPC **D15/17**
- (58) **Field of Classification Search**
USPC D15/11, 12, 13, 14, 16, 18, 21, 25, 28,
D15/29
CPC A01C 17/008; A01C 15/02; A01G 29/00
See application file for complete search history.

- 5,896,931 A * 4/1999 Roberts A01B 33/028
172/42
- D473,569 S * 4/2003 Abenroth D15/11
- D515,592 S * 2/2006 Thackery D15/11
- D610,591 S * 2/2010 Choi D15/13
- D748,360 S * 1/2016 Dahmer D34/28
- D783,219 S * 4/2017 Pato D34/28
- 2001/0039788 A1 * 11/2001 Starr A01D 34/475
56/294
- 2009/0094956 A1 * 4/2009 Barlow A01D 43/063
56/16.7

* cited by examiner

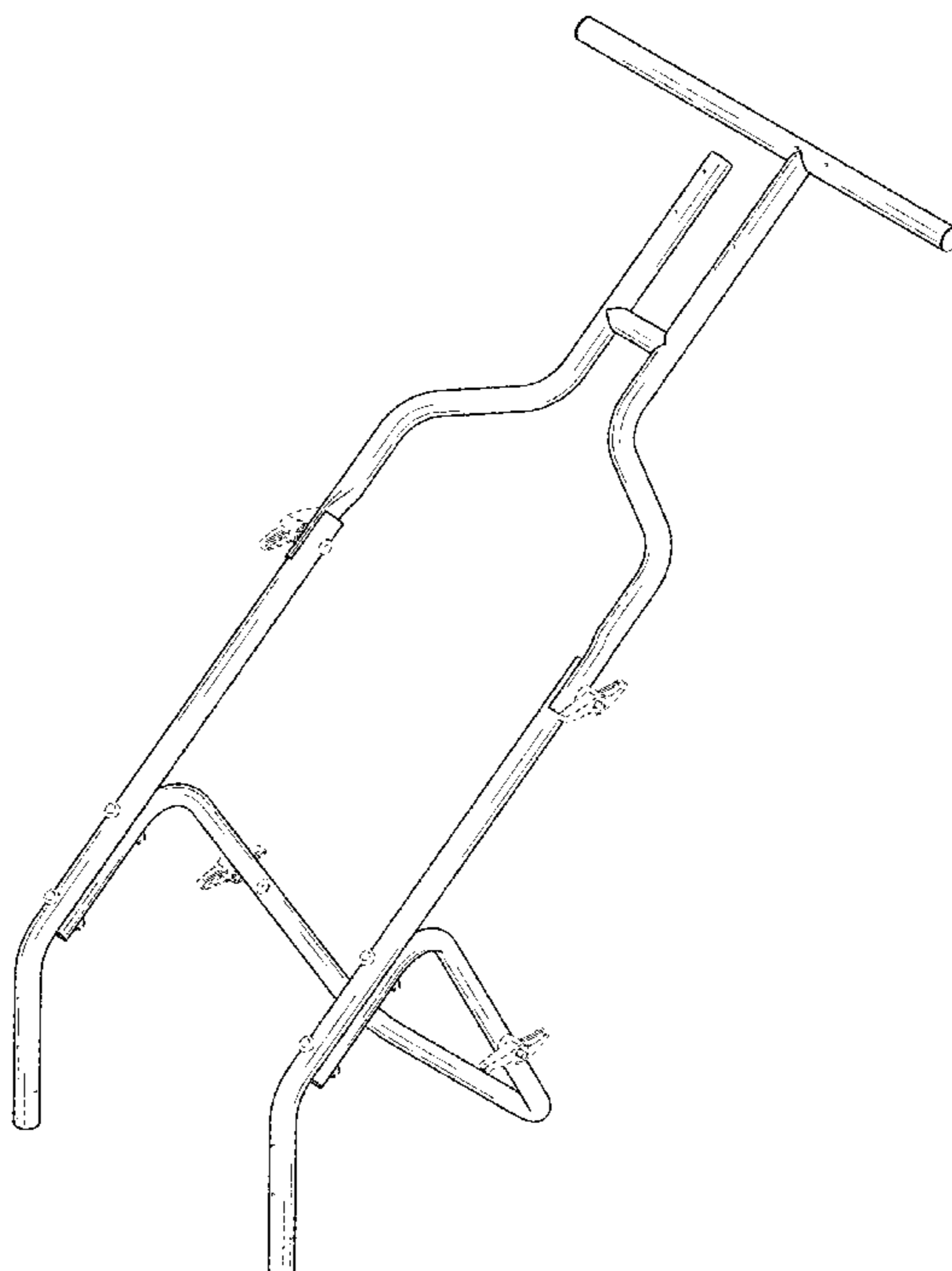
Primary Examiner — John Windmuller
Assistant Examiner — Benjamin M Weeks
(74) *Attorney, Agent, or Firm* — Greenberg Traurig, LLP

- (56) **References Cited**
U.S. PATENT DOCUMENTS
D165,810 S * 1/1952 Wilkin 16/437
2,902,953 A * 9/1959 Young A01G 29/00
111/7.1
3,484,963 A * 12/1969 Munson E01H 5/04
198/642
5,251,428 A * 10/1993 Gay A01G 3/0417
30/122

(57) **CLAIM**
We claim the ornamental design for a frame, as shown and described.

DESCRIPTION
FIG. 1 is a perspective view of a frame showing our new design.
FIG. 2 is a front view thereof;
FIG. 3 is a rear view thereof;
FIG. 4 is a left side view thereof;
FIG. 5 is a right side view thereof;
FIG. 6 is a top view thereof; and,
FIG. 7 is a bottom view thereof.
The broken lines represent portions of the frame that form no part of the claimed design.

1 Claim, 5 Drawing Sheets



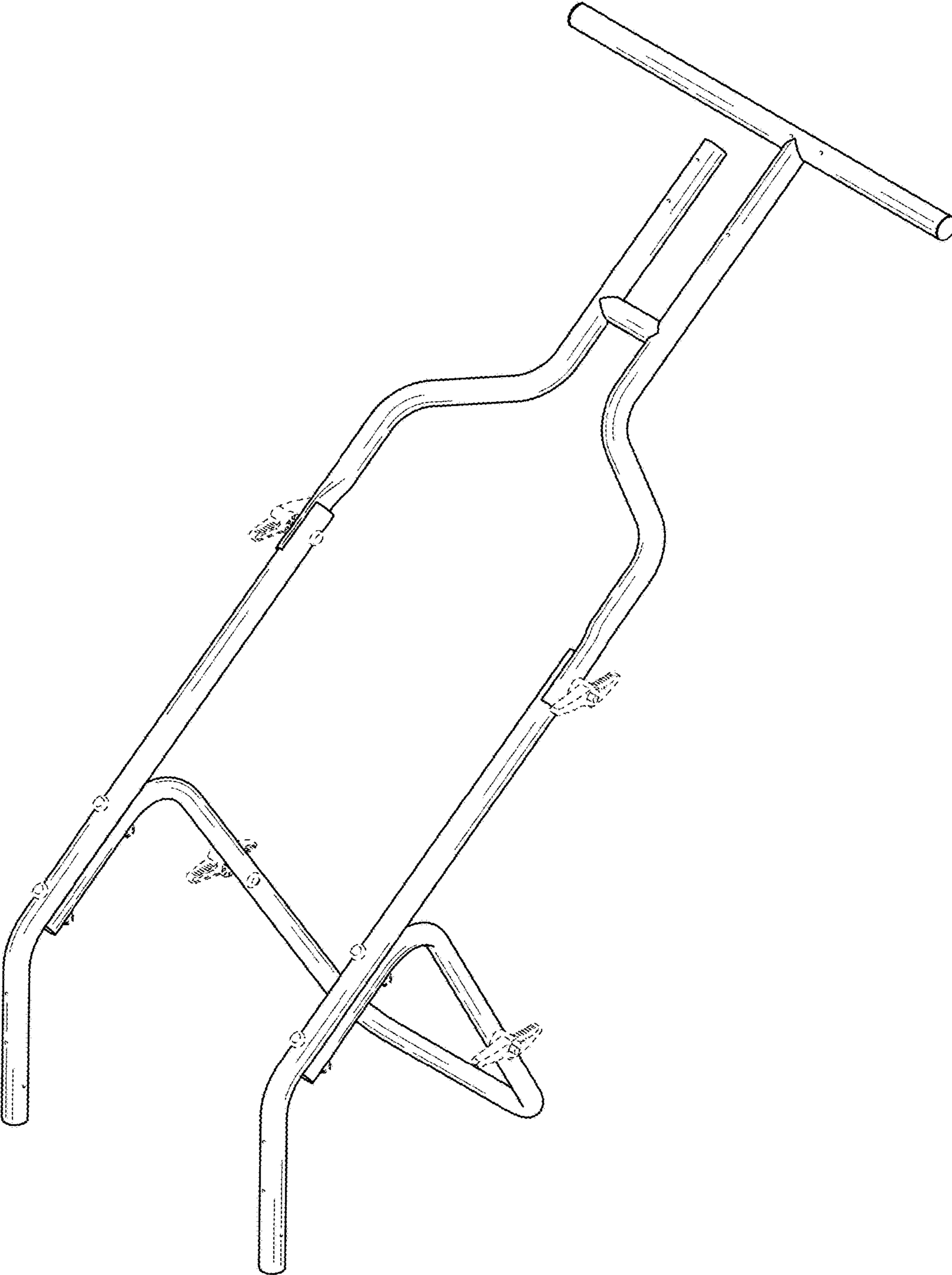


FIG. 1

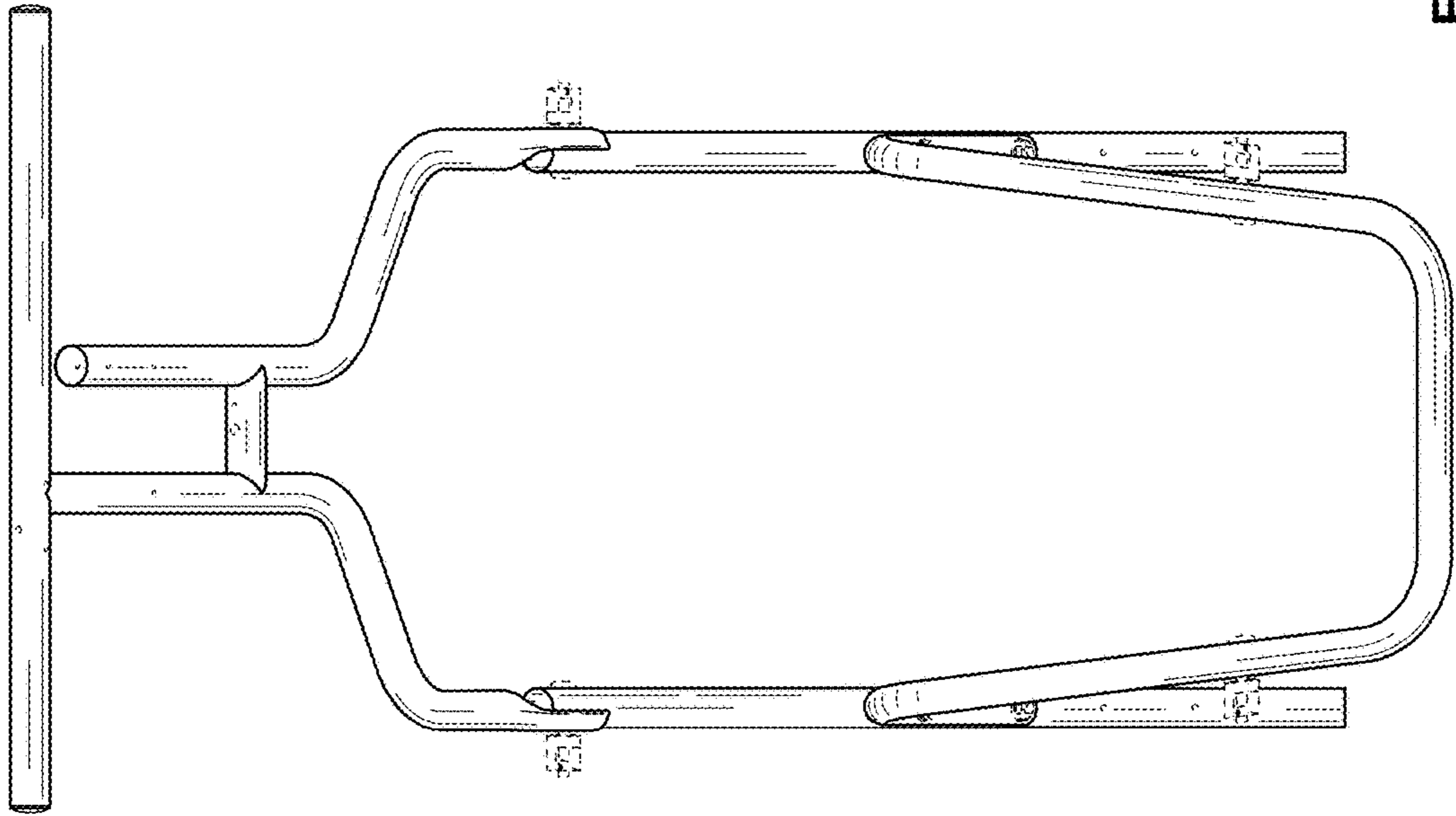


FIG. 3

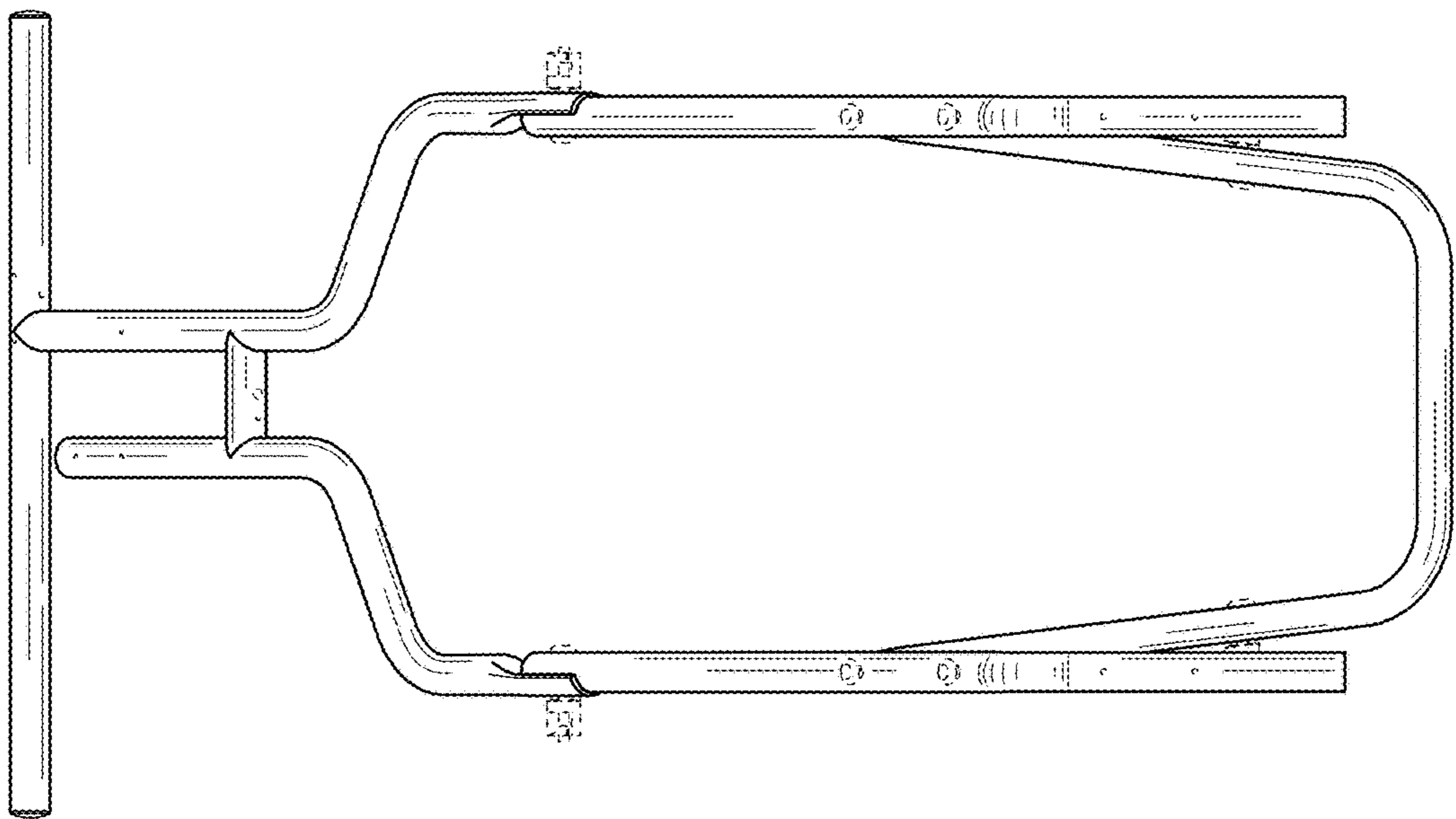


FIG. 2

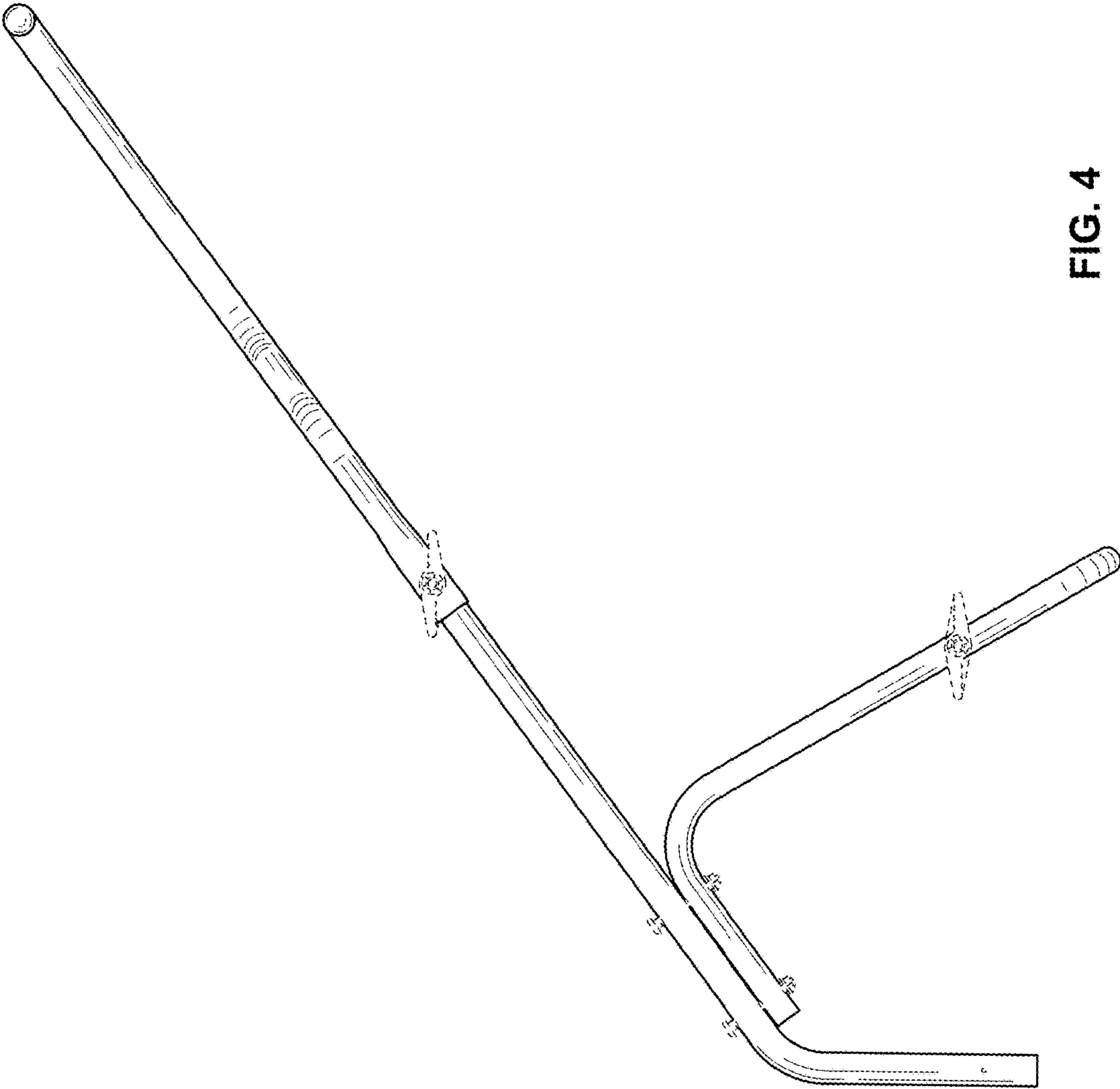


FIG. 4

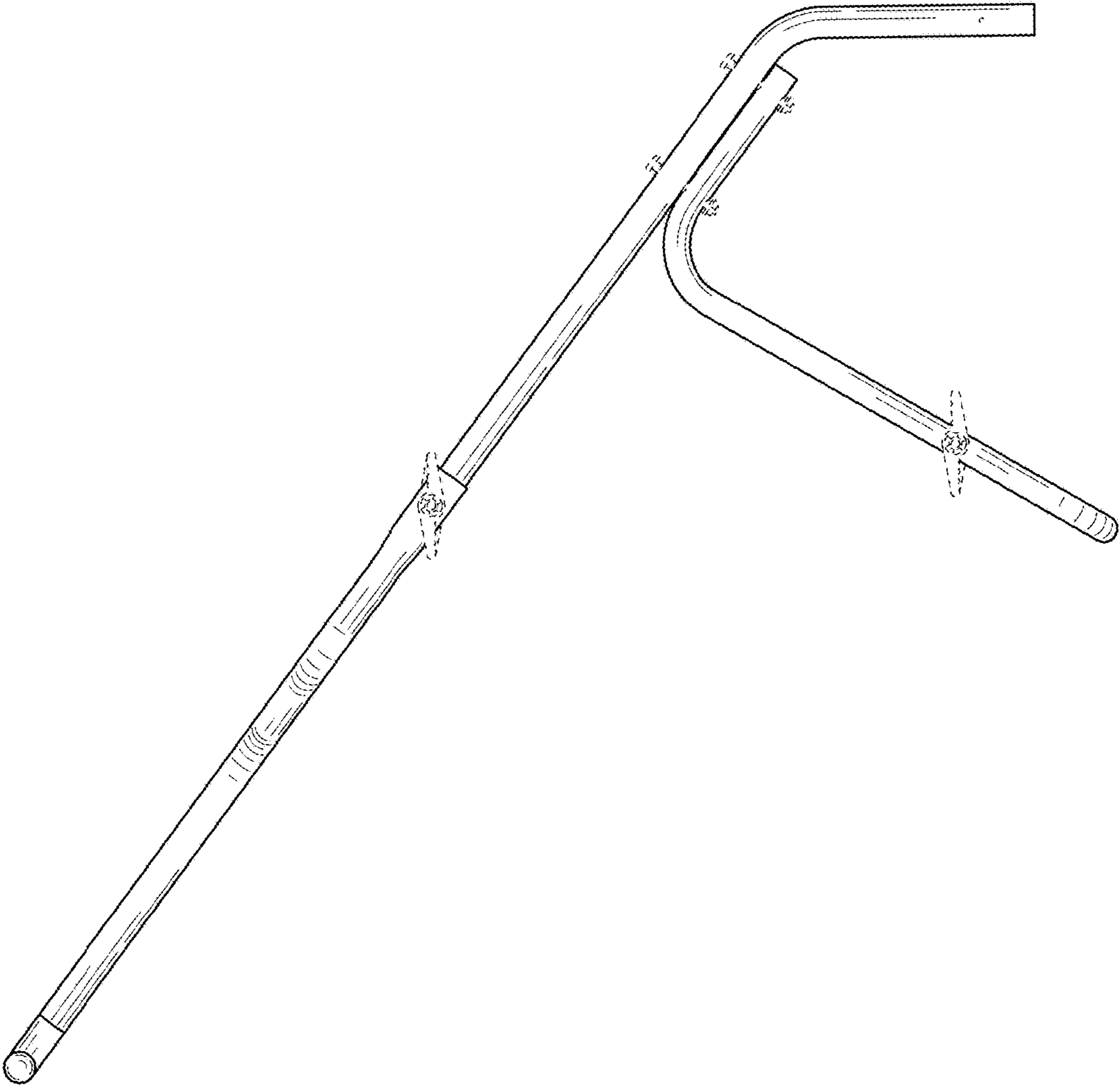


FIG. 5

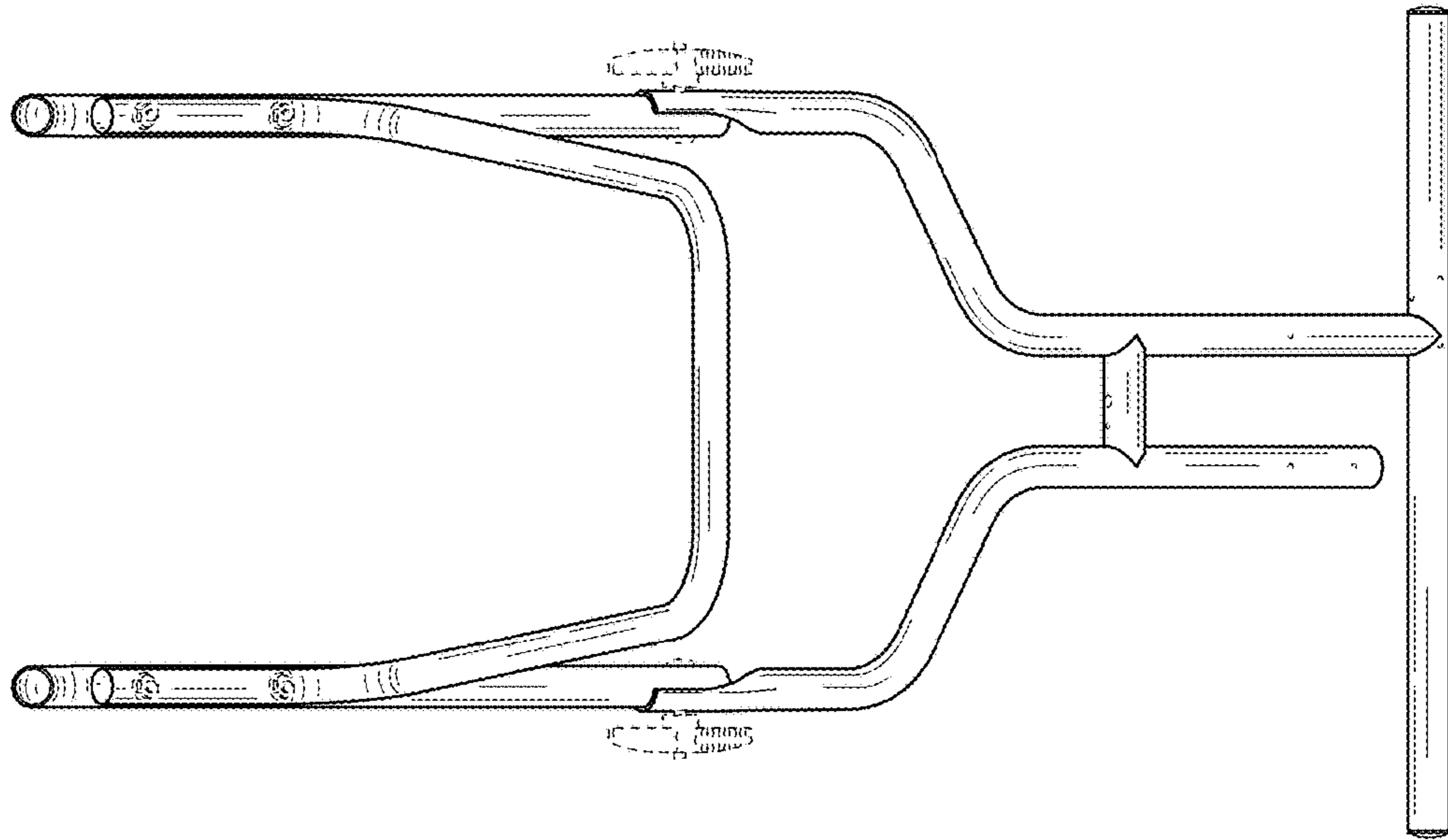


FIG. 6

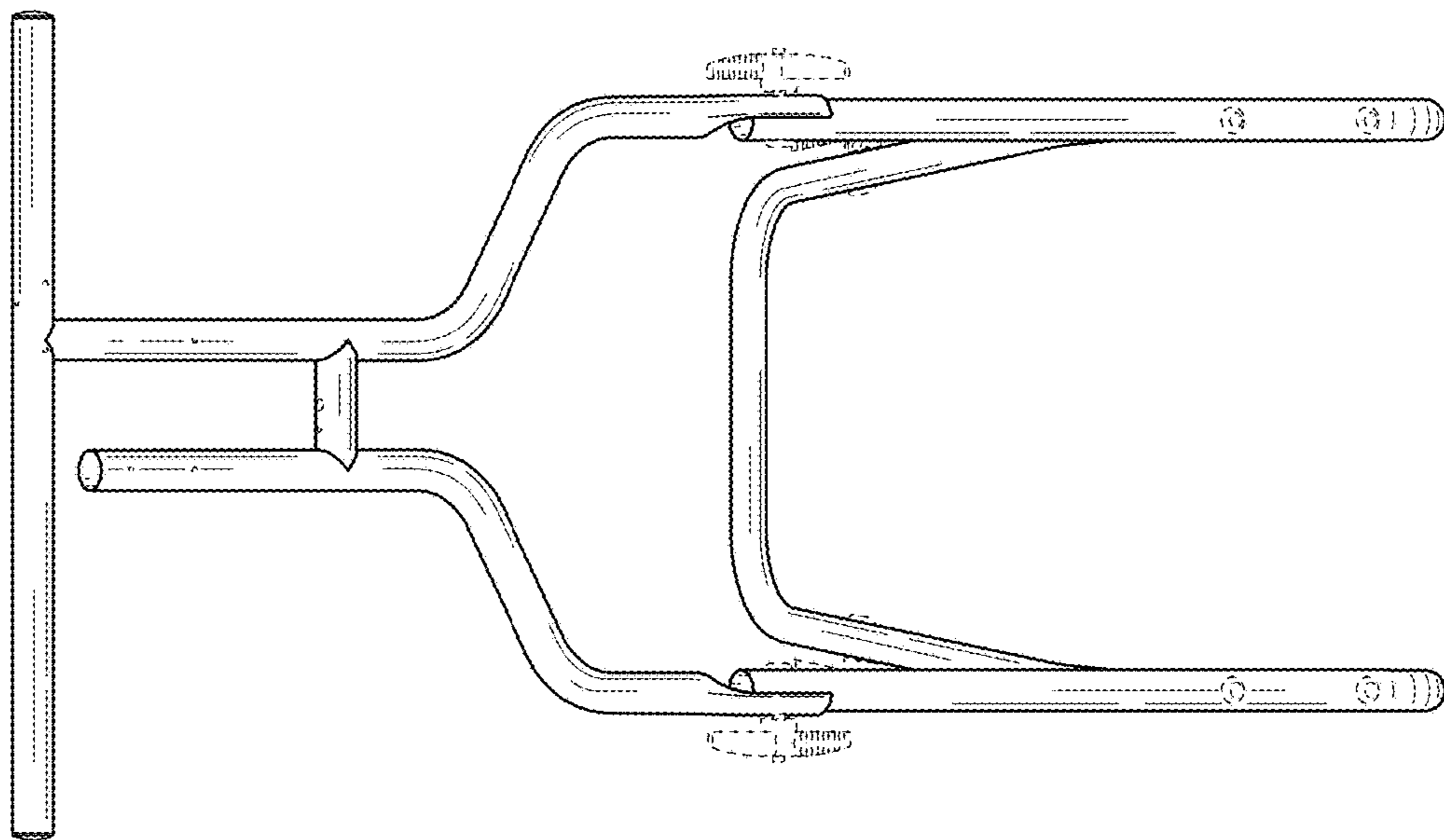


FIG. 7