



US00D823345S

(12) **United States Design Patent** (10) **Patent No.:** **US D823,345 S**
Wilds et al. (45) **Date of Patent:** **** Jul. 17, 2018**

(54) **PUMP**

FOREIGN PATENT DOCUMENTS

(71) Applicant: **Wayne/Scott Fetzer Company,**
Westlake, OH (US)

CN 203548187 4/2014
WO 0017521 3/2000
WO 2011137425 11/2011

(72) Inventors: **Joshua Michael Wilds,** Harrison, OH
(US); **Buford A. Cooper,** Sunman, IN
(US); **Michael S. Garcia,** Harrison, OH
(US)

OTHER PUBLICATIONS

Wayne/Scott Fetzer Company, Watering & System Installation
Guide, Dewatering Pump TSC, that discloses a pump that was on
sale or publicly disclosed more than 1 year before the filed of the
instant application, 2016, 11 pp.

(73) Assignee: **Wayne/Scott Fetzer Company,**
Westlake, OH (US)

(Continued)

(**) Term: **15 Years**

Primary Examiner — Ralf Seifert

(21) Appl. No.: **29/548,937**

(74) *Attorney, Agent, or Firm* — Fitch, Even, Tabin &
Flannery LLP

(22) Filed: **Dec. 17, 2015**

(51) **LOC (11) Cl.** **15-02**

(57) **CLAIM**

(52) **U.S. Cl.**
USPC **D15/7**

We claim the ornamental design for a pump, as shown and
described.

(58) **Field of Classification Search**
USPC D15/7-9; D23/231, 232, 225; 417/60,
417/235, 265, 321, 355, 358, 363, 359,
417/410.1, 415-416, 405, 900; 60/408,
60/412; 184/26-37; 415/140-147, 127;
123/495, 509; 137/565.34
CPC F02M 37/04; F02M 37/14; F02B 75/07
See application file for complete search history.

DESCRIPTION

FIG. 1 is a perspective view of a pump in accordance with
our new design;
FIG. 2 is a left side elevation view a pump of FIG. 1;
FIG. 3 is a right side elevation view of a pump of FIGS. 1-2;
FIG. 4 is a front elevation view of a pump of FIGS. 1-3;
FIG. 5 is a rear elevation view of a pump of FIGS. 1-4;
FIG. 6 is a top view of a pump of FIGS. 1-5; and,
FIG. 7 is a bottom view of a pump of FIGS. 1-6.
The pump parts shown in broken lines in the figures depict
unclaimed environmental subject matter, are for illustrative
purposes only, and form no part of the claimed design.
Similarly, unshaded portions that appear between broken
lines or beyond boundary or break lines in the figures or
without stippling form no part of the claimed design and
indicate that a specific width, height and/or length forms no
part of the claimed design.

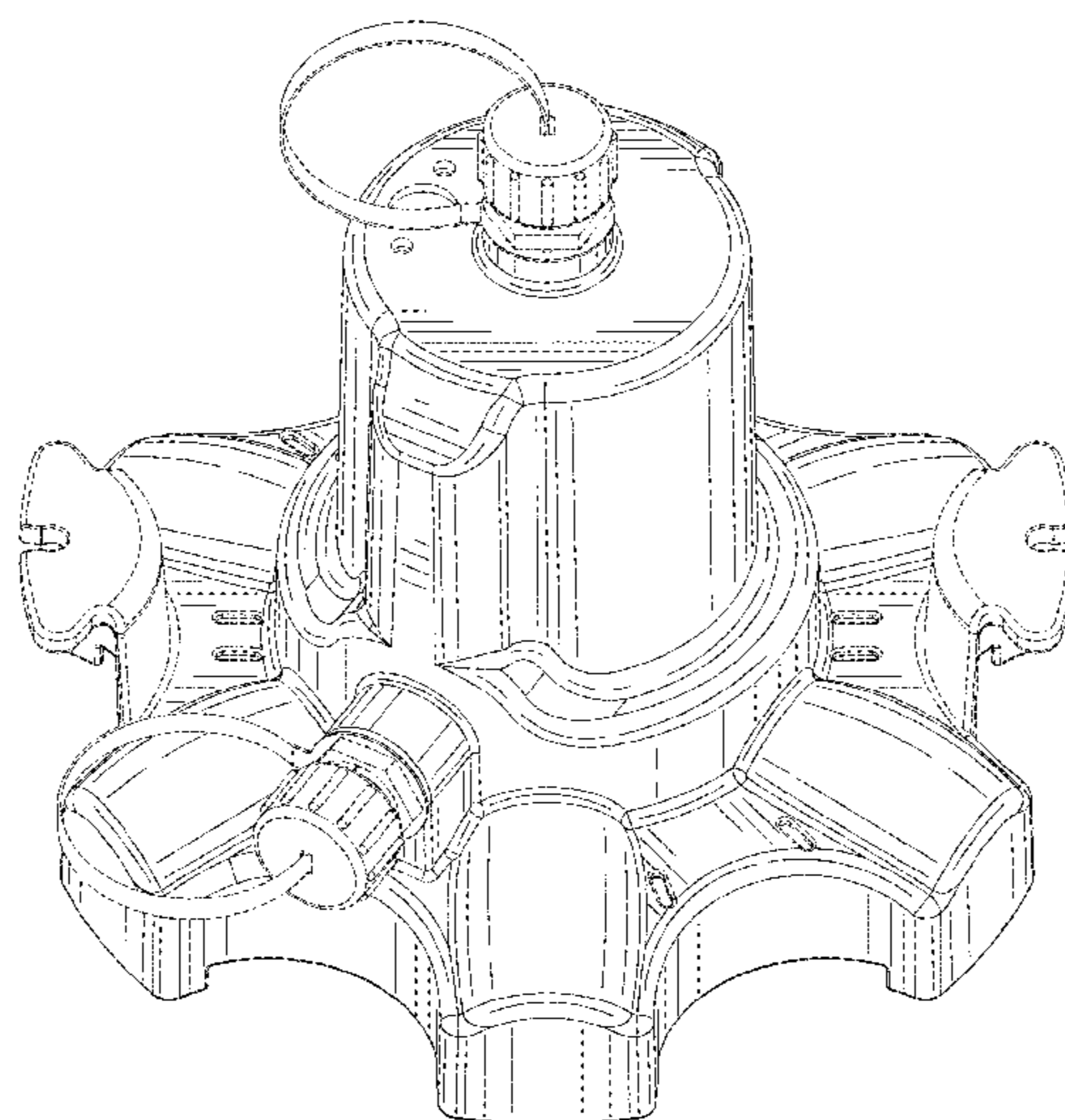
(56) **References Cited**

U.S. PATENT DOCUMENTS

2,863,525 A 12/1958 Lucian
3,684,096 A 8/1972 Kretchman
3,822,967 A 7/1974 Cade
4,482,300 A 11/1984 Brown
5,131,821 A 7/1992 Marioni
5,494,414 A * 2/1996 Steinhart F02B 75/007
417/360
D394,067 S * 5/1998 Kon D15/7
5,833,437 A 11/1998 Kurth

(Continued)

1 Claim, 7 Drawing Sheets



(56)

References Cited

U.S. PATENT DOCUMENTS

6,049,666	A	4/2000	Bennett	
6,390,780	B1	5/2002	Batchelder	
D466,527	S *	12/2002	Graber	D15/9
6,575,714	B2	6/2003	Pace	
6,676,382	B2	1/2004	Leighton	
7,264,449	B1	9/2007	Harned	
D602,501	S *	10/2009	Ton	D15/7
D611,504	S *	3/2010	Ton	D15/7
D667,466	S *	9/2012	Barmore	D15/7
8,297,952	B2	10/2012	Wu	
8,529,228	B1	9/2013	Thompson	
D691,638	S *	10/2013	Alexander	D15/7
8,636,898	B2	1/2014	Perez	
D738,402	S *	9/2015	Nelson	D15/7
D744,003	S *	11/2015	Ton	D15/7
9,605,688	B2	3/2017	Perez	
9,810,241	B2	11/2017	Gell, III	
2003/0002996	A1	1/2003	Pace	
2005/0231899	A1	10/2005	Barnes	
2006/0083630	A1	4/2006	Chen	
2014/0341752	A1	11/2014	Gell, III	
2017/0030371	A1	2/2017	Wilds	

OTHER PUBLICATIONS

Wayne/Scott Fetzer Company, Operating Instructions and Replacement Parts List, Submersible Utility Pumps VIP Series, that discloses a pump that was on sale or publicly disclosed more than 1 year before the filed of the instant application, 2011, 12 pp.

* cited by examiner

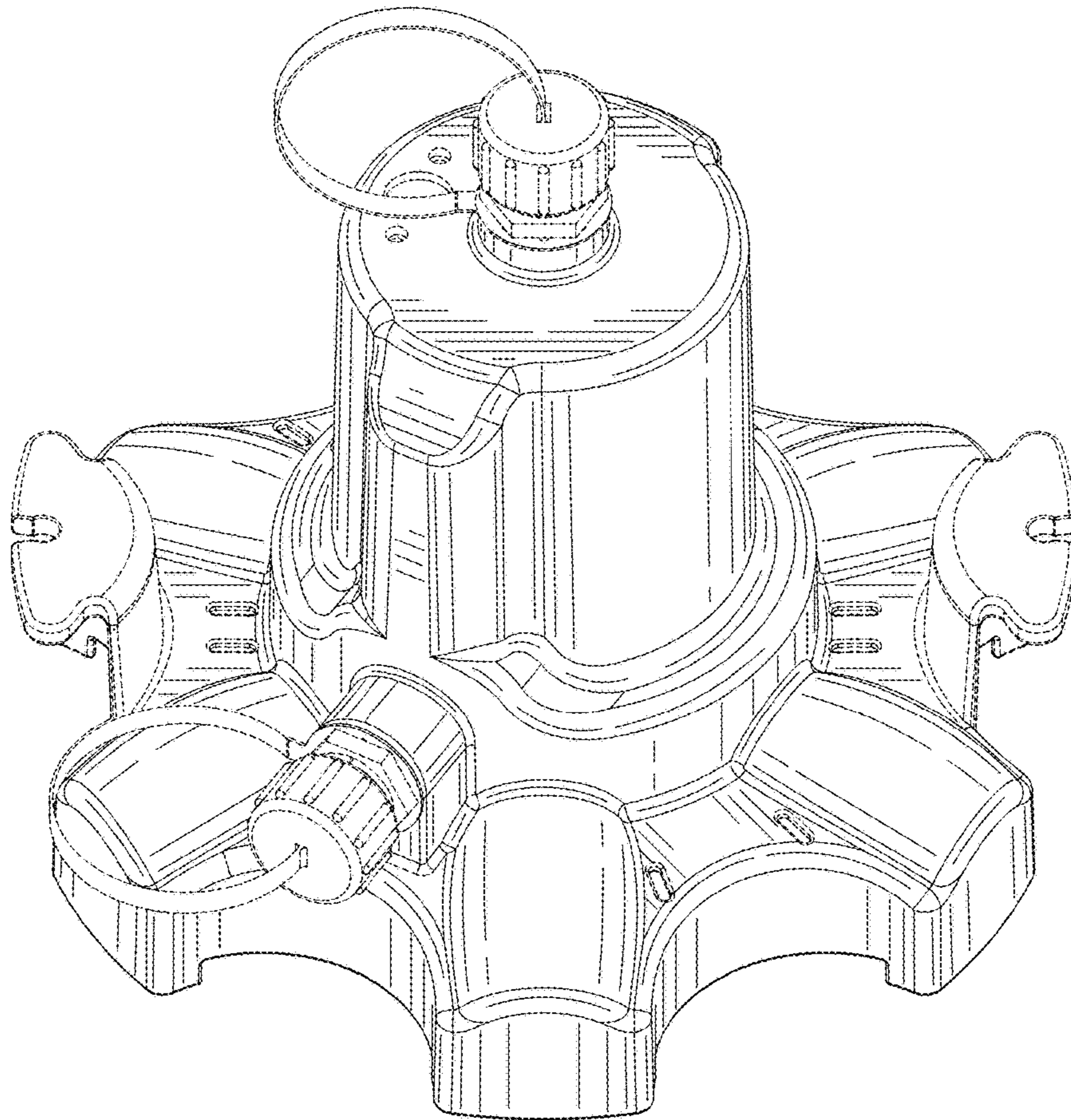


FIG. 1

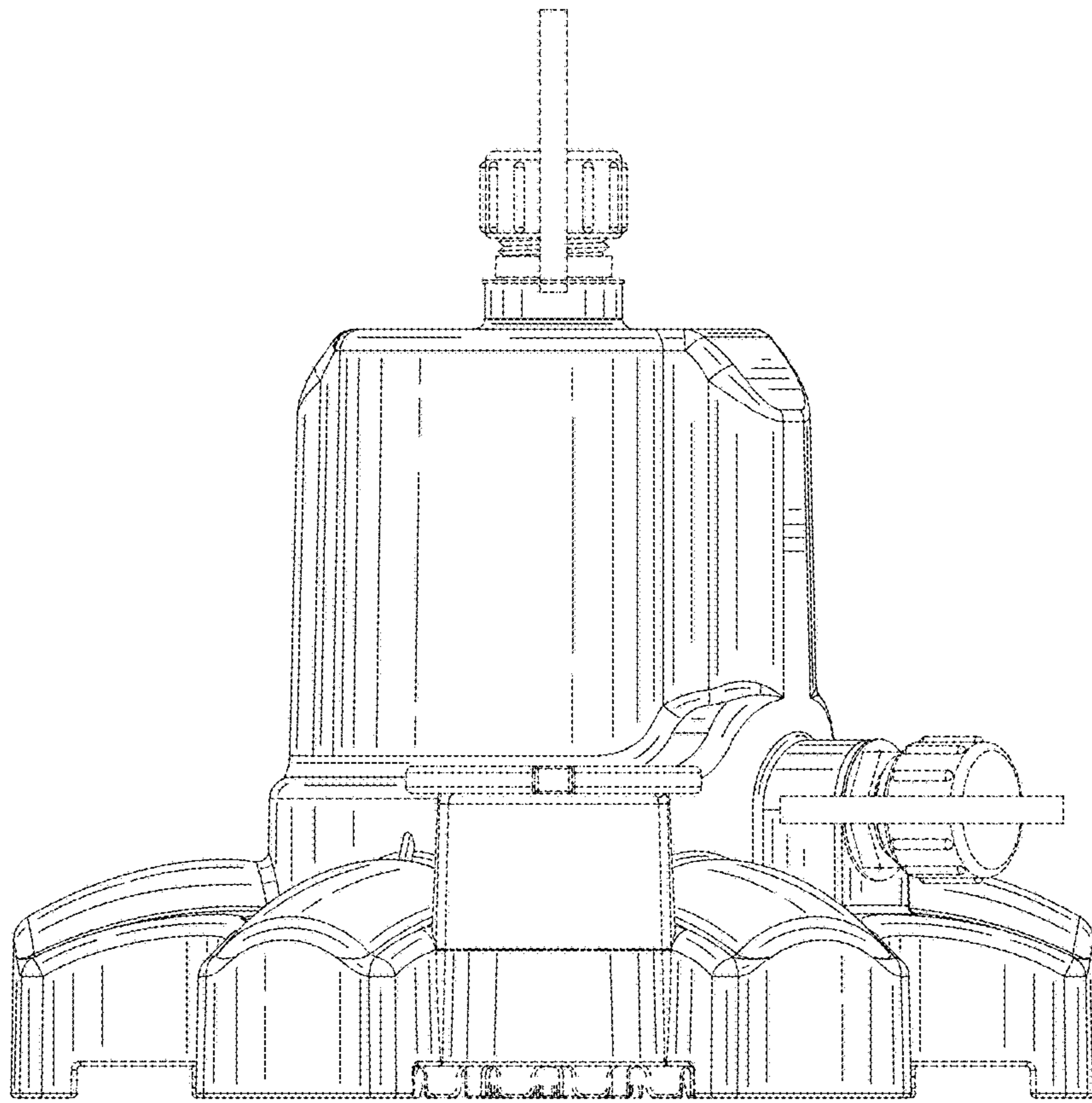


FIG. 2

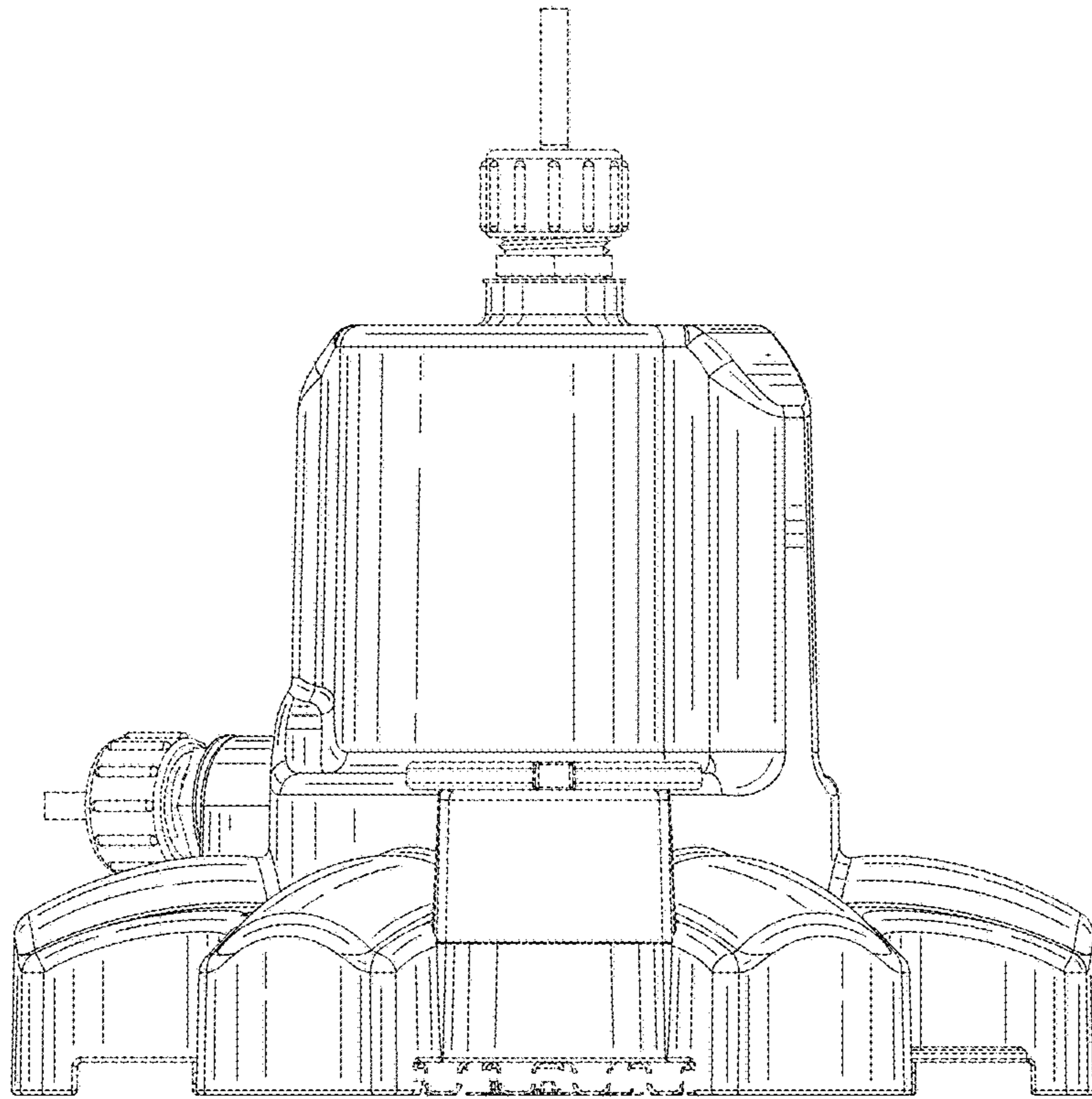


FIG. 3

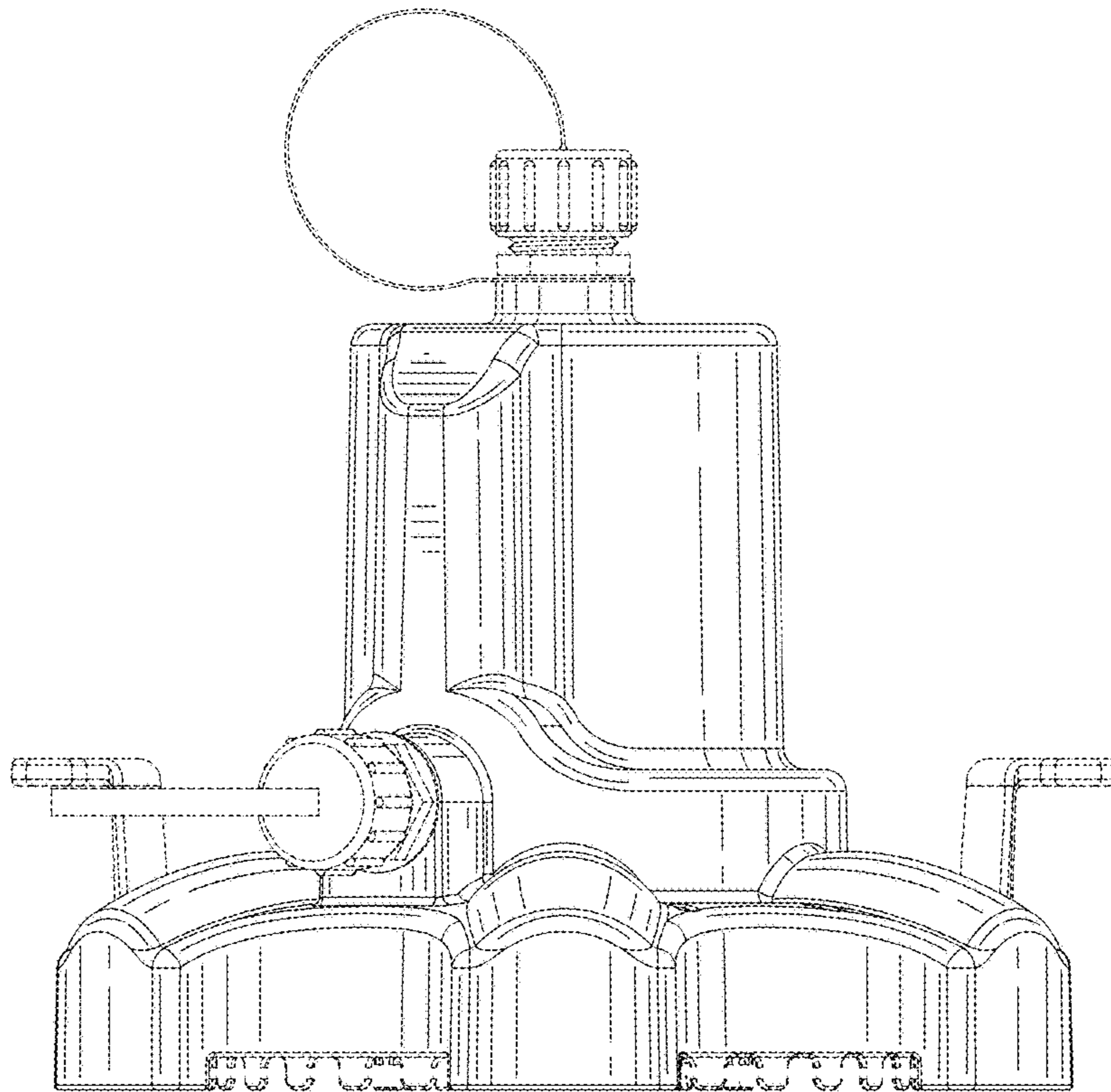


FIG. 4

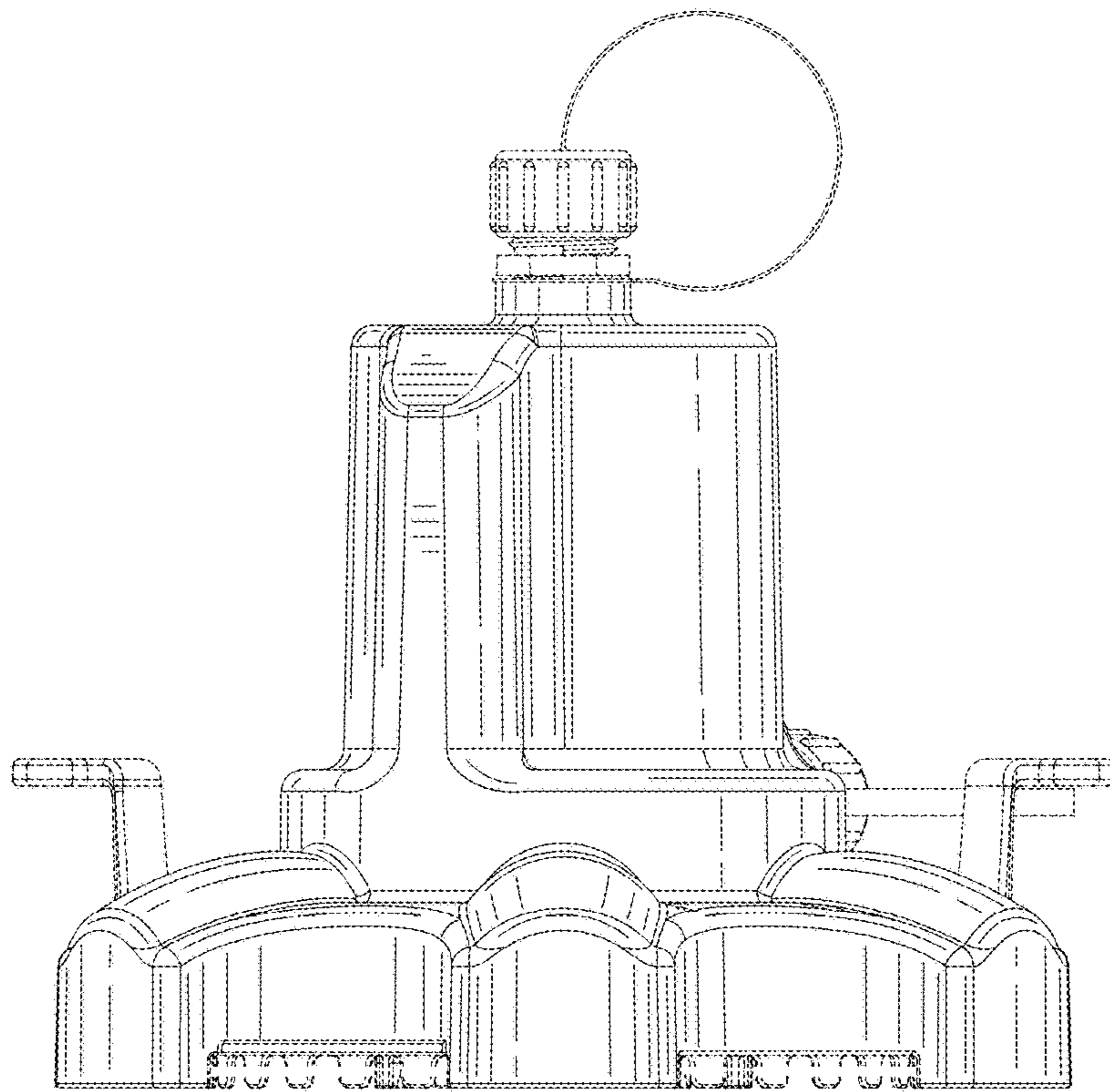


FIG. 5

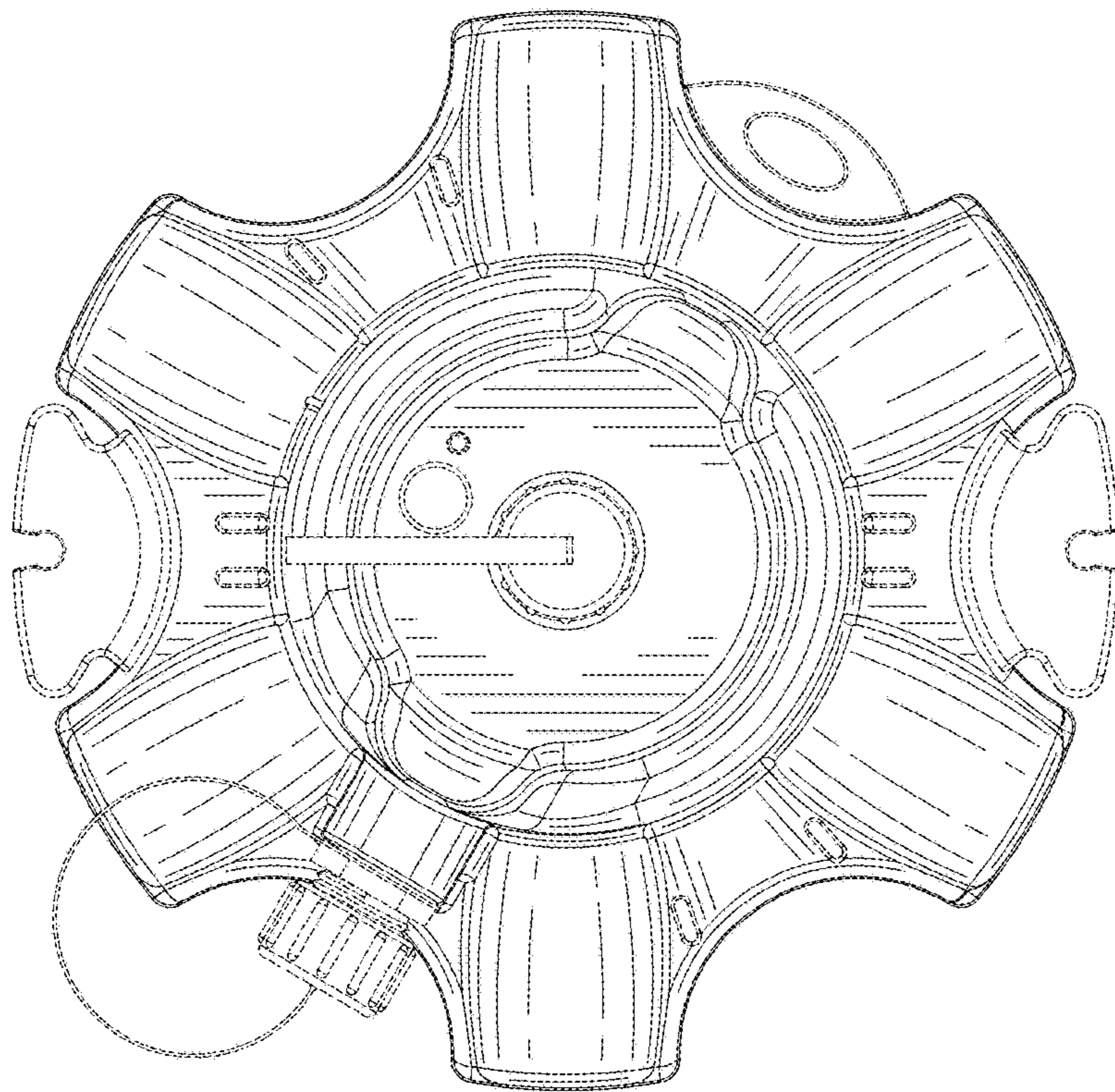


FIG. 6

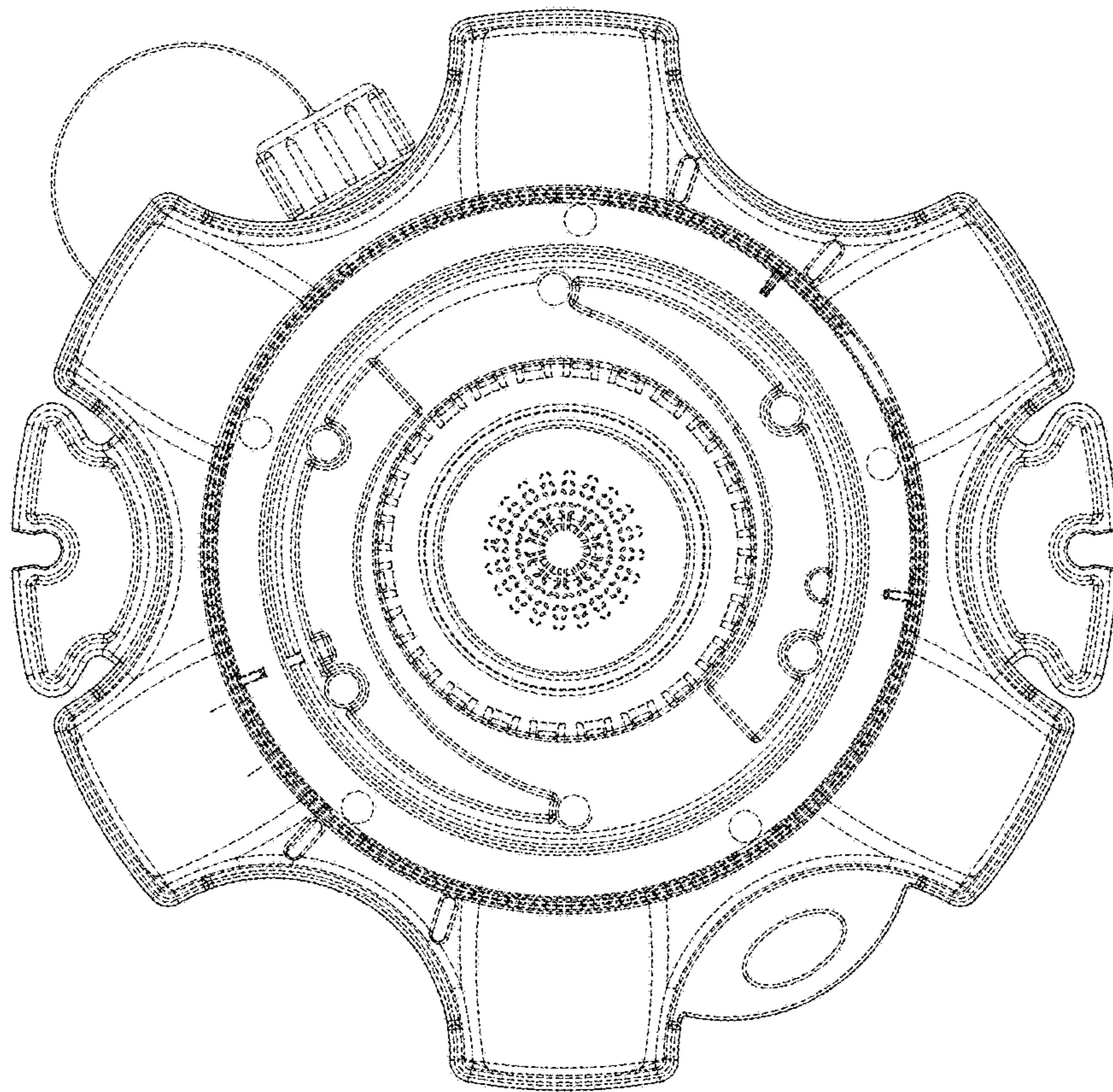


FIG. 7