



US00D823344S

(12) **United States Design Patent**
Malcolm

(10) **Patent No.:** **US D823,344 S**
(45) **Date of Patent:** **** Jul. 17, 2018**

(54) **GAUGE**

(71) Applicant: **Pneumatic Components Limited,**
Sheffield, South Yorkshire (GB)

(72) Inventor: **Richard Malcolm,** Sheffield (GB)

(73) Assignee: **PNEUMATIC COMPONENTS LIMITED,** Sheffield, South Yorkshire (GB)

(**) Term: **15 Years**

(21) Appl. No.: **29/540,858**

(22) Filed: **Sep. 29, 2015**

(30) **Foreign Application Priority Data**

Apr. 14, 2015 (EM) 002681163-0001

(51) **LOC (11) Cl.** **15-02**

(52) **U.S. Cl.**
USPC **D15/7**

(58) **Field of Classification Search**

USPC D15/7-9; D23/231, 232, 225; 417/60, 417/235, 265, 321, 355, 358, 363, 359, 417/410.1, 415-416, 405, 900, 269, 539; 60/408, 412; 184/26-37; 415/140-147; 123/495, 509; 137/565.34
CPC F02M 37/04; F02M 37/14; F04B 53/92; F04B 1/005

See application file for complete search history.

(56) **References Cited**

U.S. PATENT DOCUMENTS

4,658,869 A * 4/1987 Soon-Fu B60S 5/043
137/227
5,386,857 A * 2/1995 Fogal, Sr. B60C 19/00
141/100

D470,863 S * 2/2003 Williams D15/7
D510,124 S * 9/2005 Hunt D23/231
D663,746 S * 7/2012 Kwon D15/7
D692,025 S * 10/2013 Cook D15/7
D694,268 S * 11/2013 Ohm D15/7
D755,925 S * 5/2016 Park D15/7
D759,201 S * 6/2016 Wu D15/7

OTHER PUBLICATIONS

admitted prior art; MK3; Pneumatic Components Limited; 1992; Great Britain.

admitted prior art; Tdr 2000; Jamec Pem; Great Britain.

* cited by examiner

Primary Examiner — Ralf Seifert

(57) **CLAIM**

The ornamental design for a gauge, as shown.

DESCRIPTION

FIG. 1 is a line drawing illustrating a perspective view of the gauge;

FIG. 2 is a line drawing illustrating a top view of the gauge;

FIG. 3 is a line drawing illustrating a bottom view of the gauge;

FIG. 4 is a line drawing illustrating a rear view of the gauge;

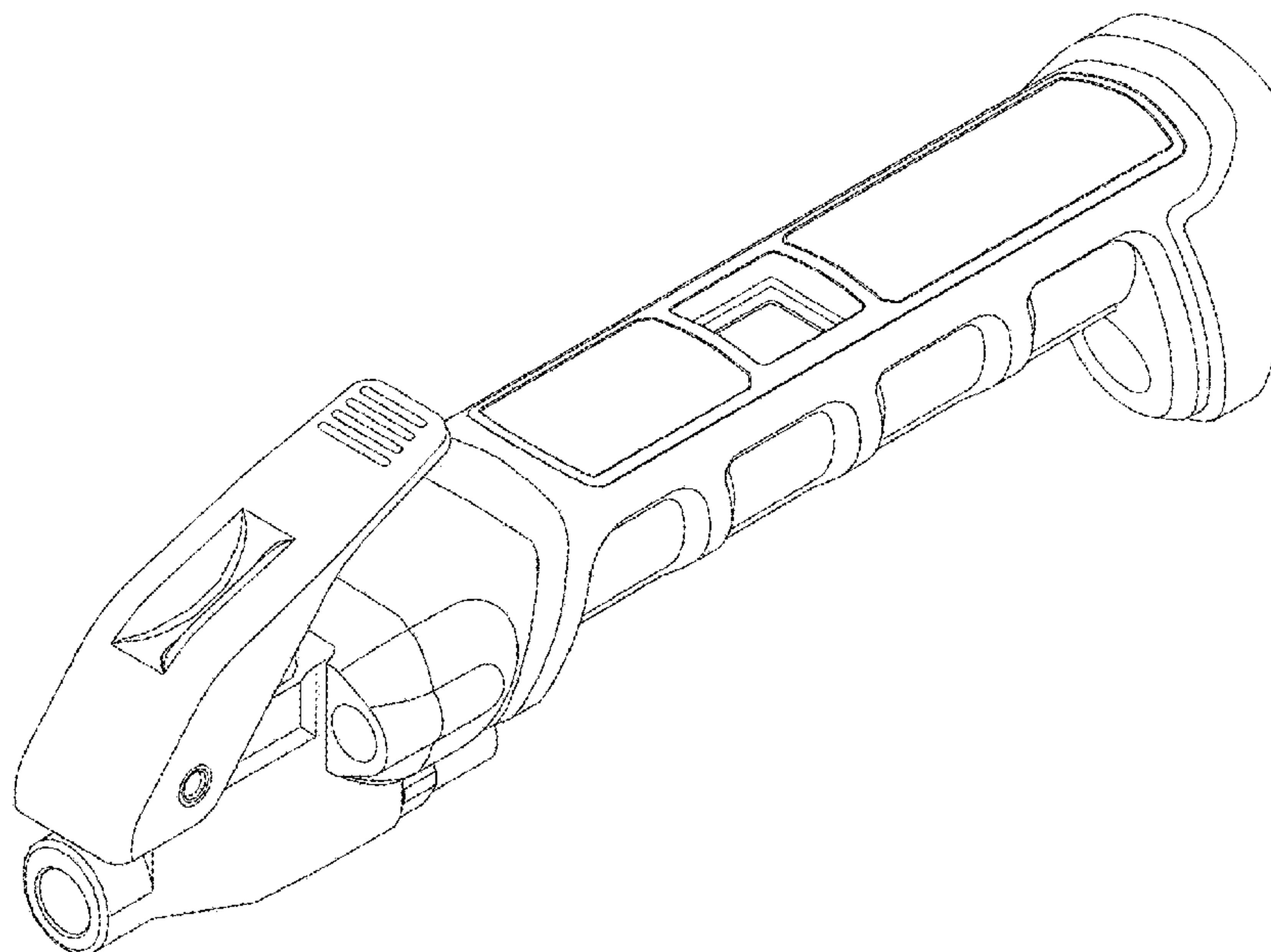
FIG. 5 is a line drawing illustrating a front view of the gauge;

FIG. 6 is a line drawing illustrating a right side view of the gauge; and,

FIG. 7 is a line drawing illustrating a left side view of the gauge.

The broken lines are included for the purpose of illustrating portions of the gauge that form no part of the claimed design.

1 Claim, 7 Drawing Sheets



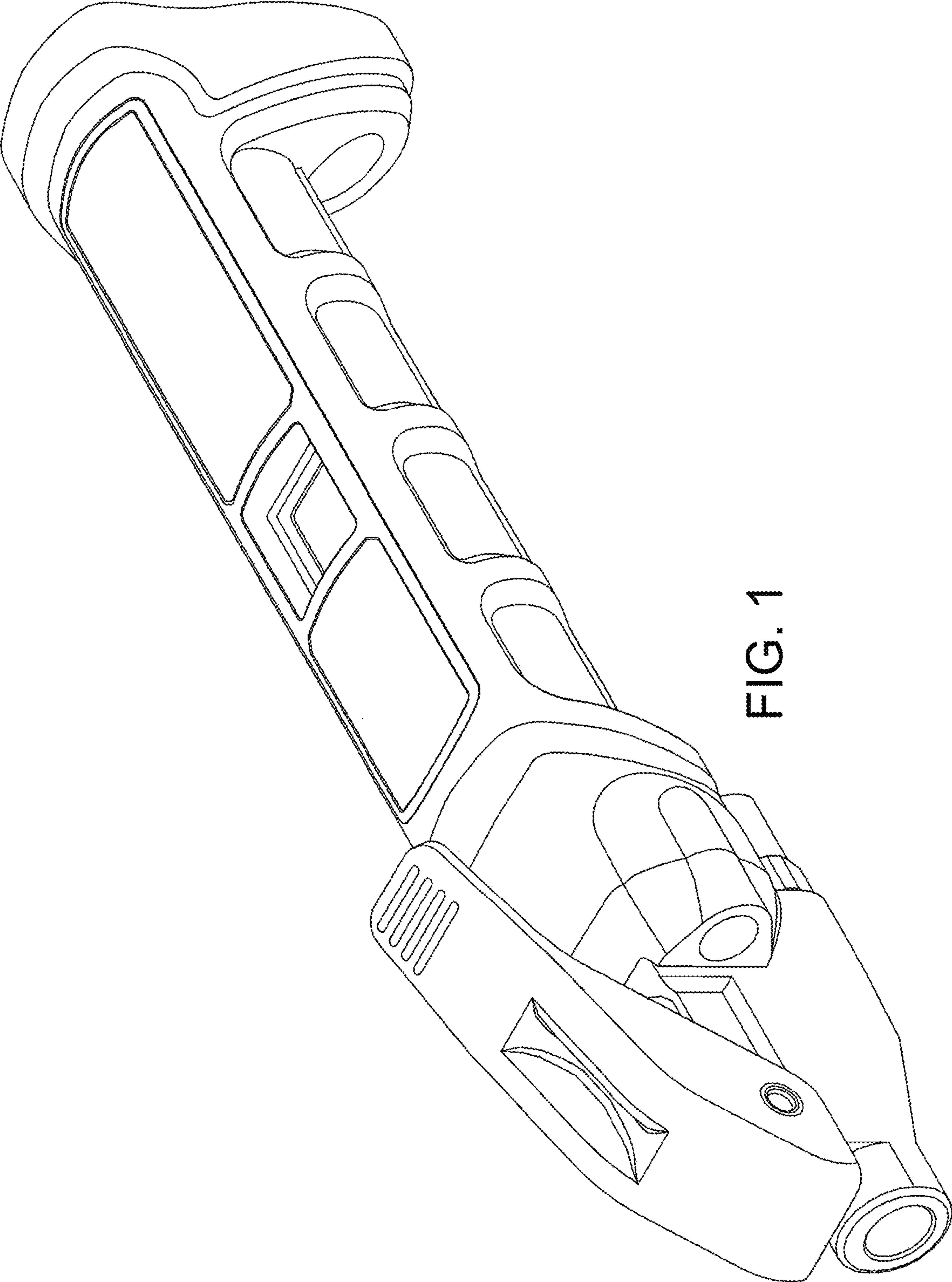


FIG. 1

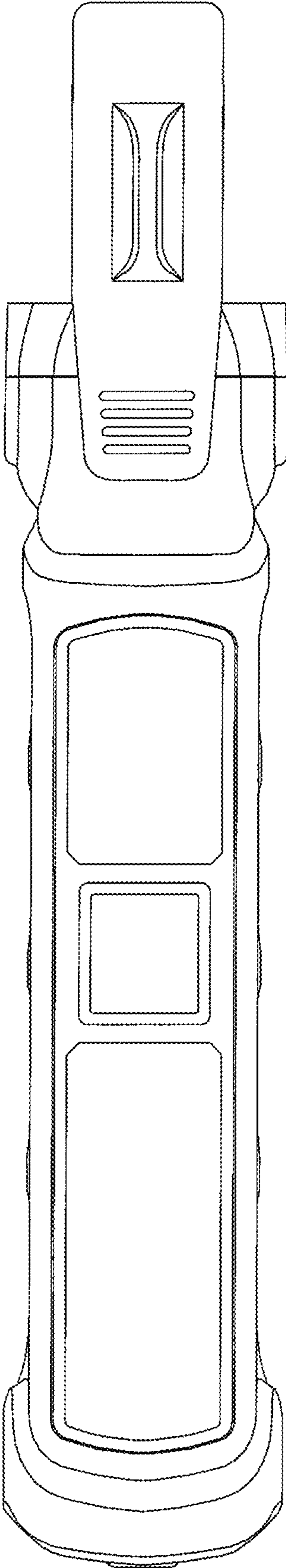


FIG. 2

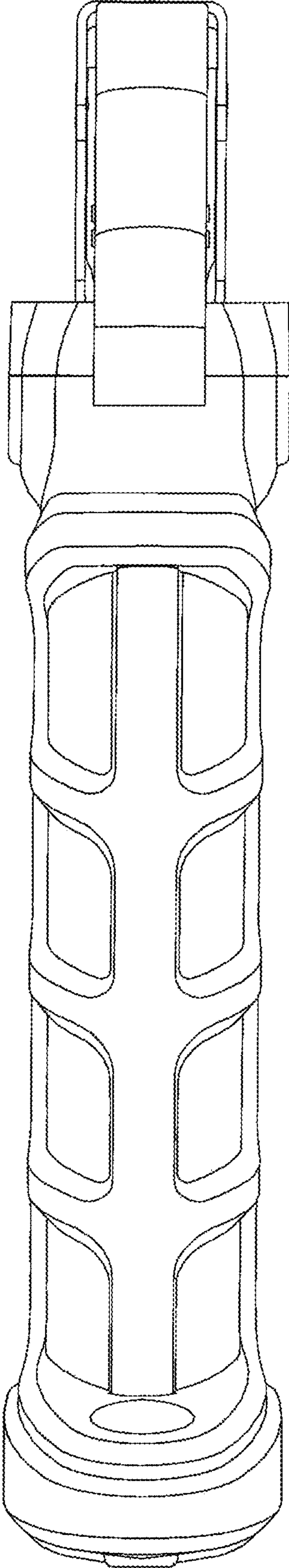


FIG. 3

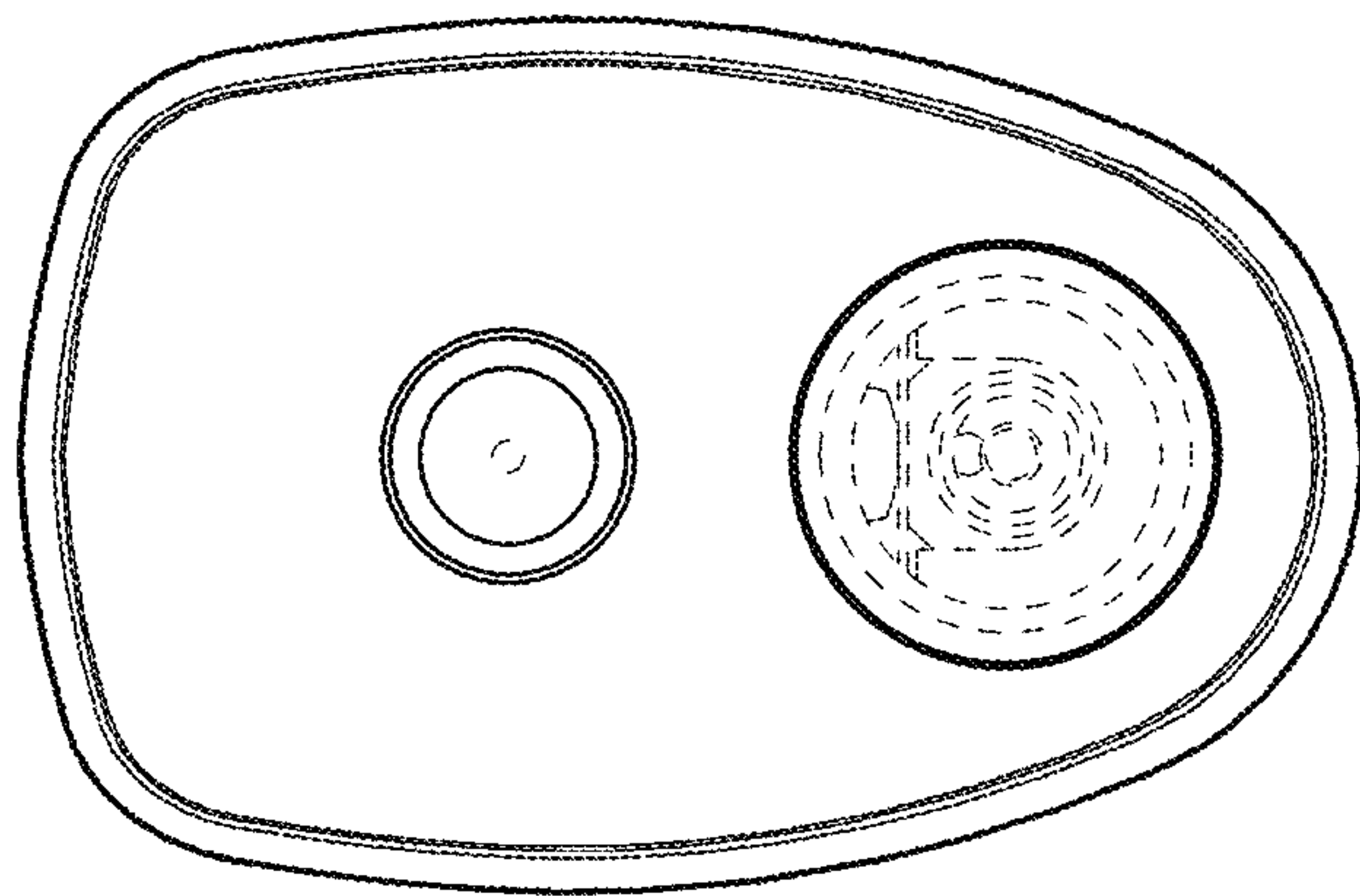


FIG. 4

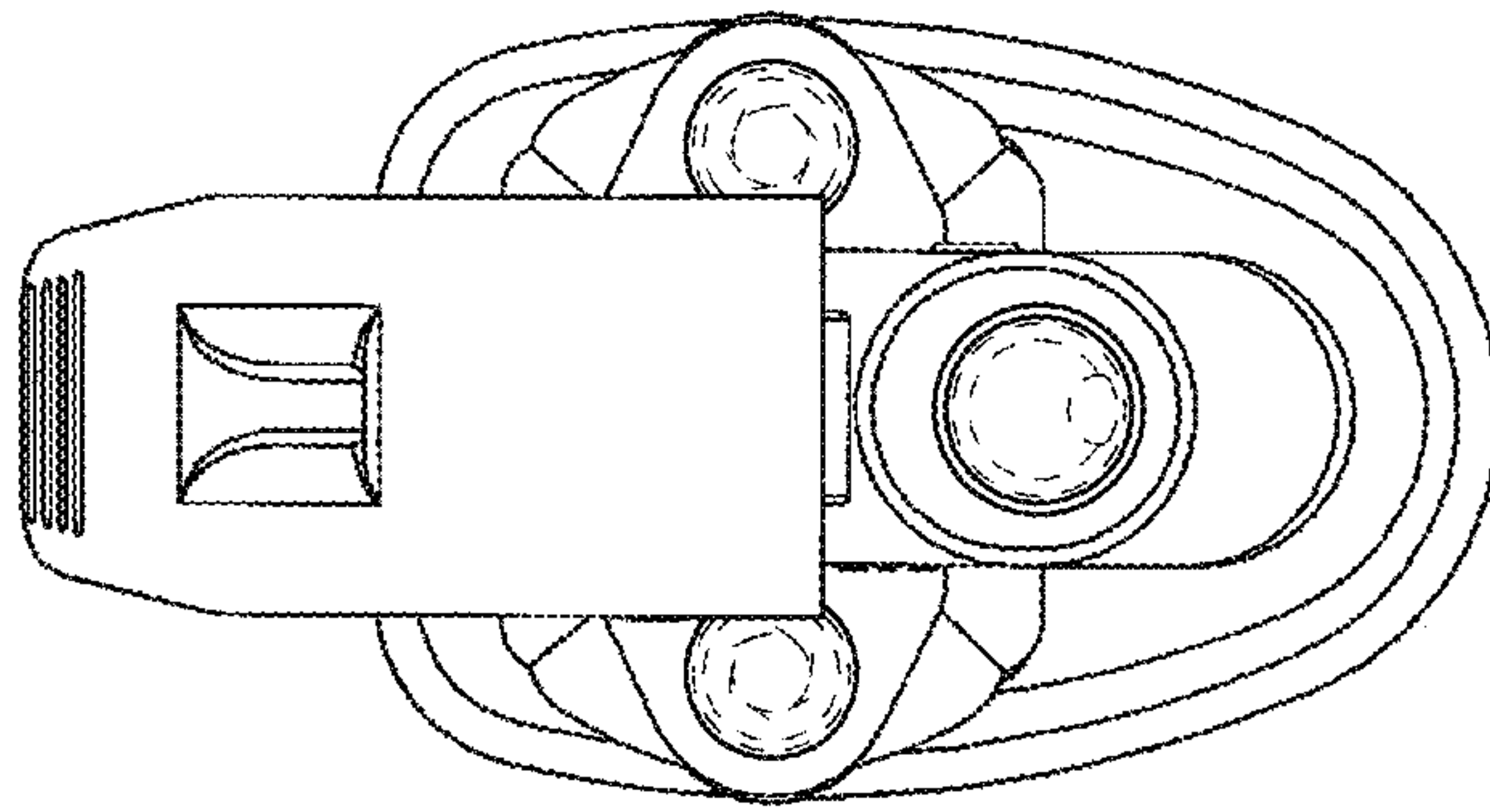


FIG. 5

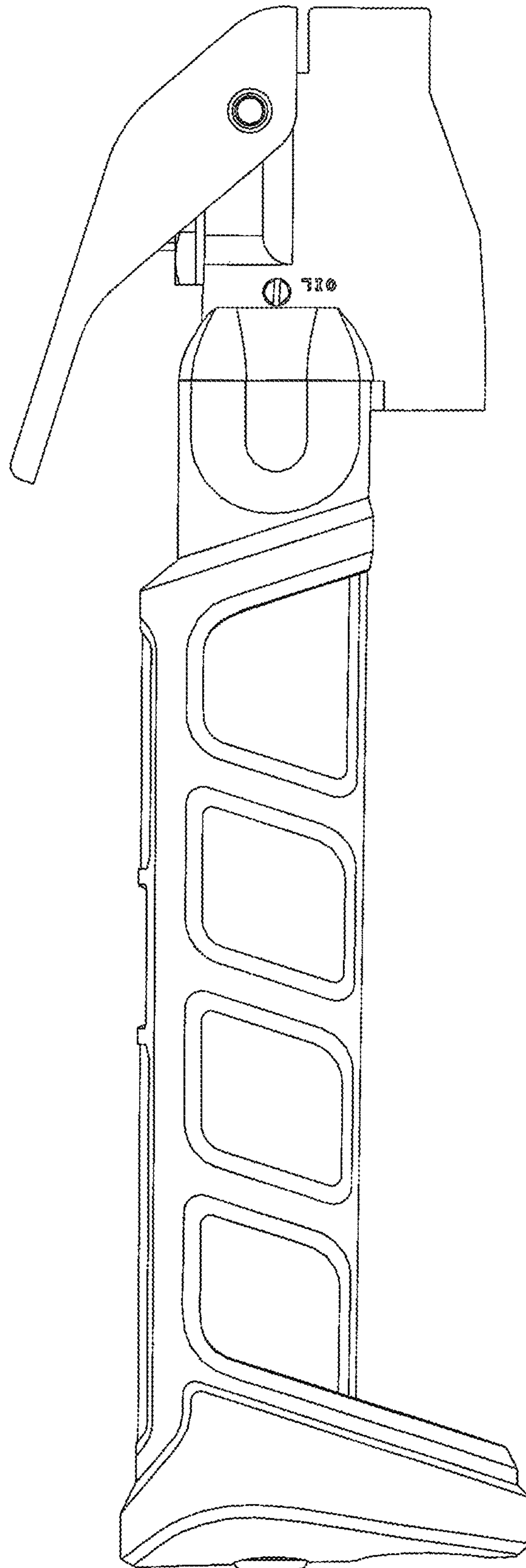


FIG. 6

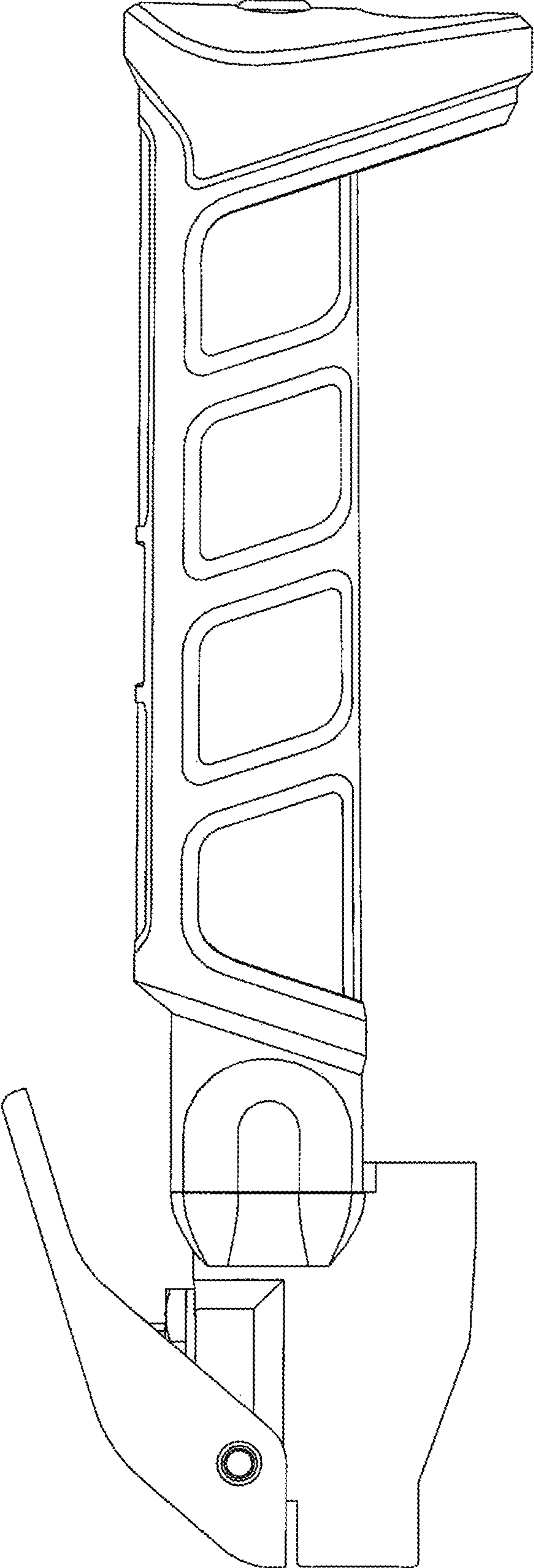


FIG. 7