



US00D823343S

(12) **United States Design Patent**
Wilkins

(10) **Patent No.:** **US D823,343 S**

(45) **Date of Patent:** **** Jul. 17, 2018**

(54) **IMPELLER HOUSING**

(71) Applicant: **Wilkins IP, LLC**, New Albany, IN
(US)

(72) Inventor: **Stephen P. Wilkins**, Floyds Knobs, IN
(US)

(73) Assignee: **Wilkins IP, LLC**, New Albany, IN
(US)

(**) Term: **15 Years**

(21) Appl. No.: **29/597,922**

(22) Filed: **Mar. 21, 2017**

(51) **LOC (11) Cl.** **15-01**

(52) **U.S. Cl.**

USPC **D15/5; D15/7; D13/122**

(58) **Field of Classification Search**

USPC **D15/5-9; D23/231, 232, 225; D13/122,**
D13/112, 113, 114

CPC ... **F16K 17/02; F04D 1/04; F04D 7/04; F04D**
29/0462; F04D 29/047; F04D 29/181;
F04D 29/20; F04D 29/628

See application file for complete search history.

(56) **References Cited**

U.S. PATENT DOCUMENTS

1,822,945	A *	9/1931	Weis	F04D 29/20
					403/369
D292,978	S *	12/1987	Hansen	D15/7
RE39,228	E *	8/2006	Claxton, III	F04D 1/04
					415/219.1
9,347,456	B2 *	5/2016	Parry	B29C 33/52
D762,579	S *	8/2016	Wilkins	D13/122
D762,580	S *	8/2016	Wilkins	D13/122
D787,561	S *	5/2017	Theiss	D15/7
9,688,135	B2 *	6/2017	Dunkle	B60K 15/03504

(Continued)

Primary Examiner — T Chase Nelson

Assistant Examiner — Ania Aman

(74) *Attorney, Agent, or Firm* — Lee & Hayes, PLLC

(57) **CLAIM**

The ornamental design for an impeller housing, as shown and described.

DESCRIPTION

FIG. 1 is a first perspective view of an impeller housing, taken from above.

FIG. 2 is a second perspective view of the impeller housing, taken from below.

FIG. 3 is a front view of the impeller housing of FIG. 1.

FIG. 4 is a back view of the impeller housing of FIG. 1.

FIG. 5 is a left-side view of the impeller housing of FIG. 1.

FIG. 6 is a right-side view of the impeller housing of FIG. 1.

FIG. 7 is a bottom view of the impeller housing of FIG. 1.

FIG. 8 is a top view of the impeller housing of FIG. 1.

FIG. 9 is a cross-sectional view of the impeller housing taken along the line 9-9 shown in FIG. 7.

FIG. 10 is a cross-sectional view of the impeller housing taken along the line 10-10 shown in FIG. 7.

FIG. 11 is a perspective view of a cross-section of the impeller housing taken along the line 11-11 shown in FIG. 8.

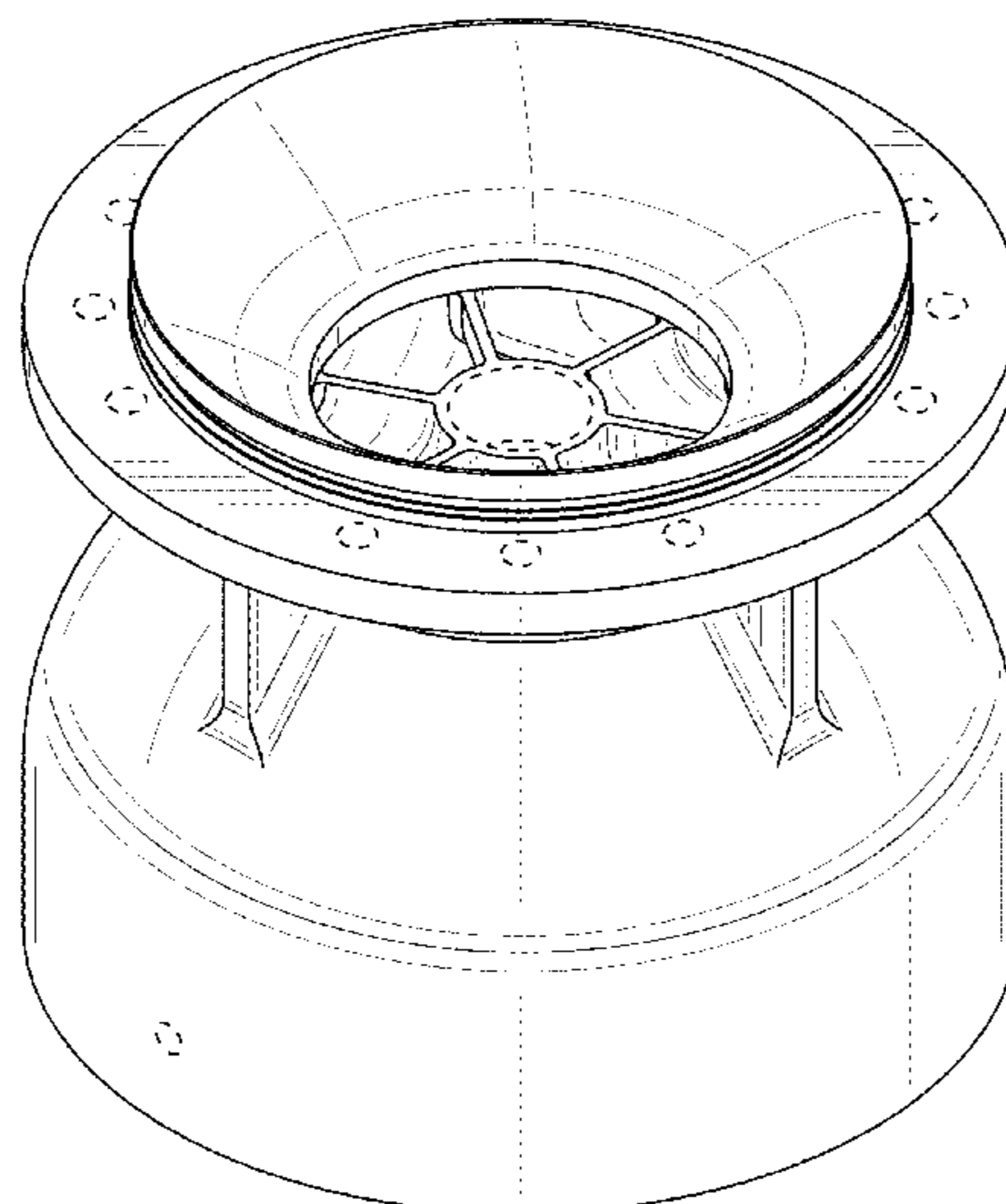
FIG. 12 is a perspective view of a cross-section of the impeller housing taken along the line 12-12 shown in FIG. 8.

FIG. 13 is a perspective view of a cross-section of the impeller housing taken along the line 13-13 shown in FIG. 7; and,

FIG. 14 is a sixth perspective view of a cross-section of the impeller housing taken along the line 14-14 shown in FIG. 7.

The broken lines represent features of the impeller housing which form no part of the claimed design.

1 Claim, 14 Drawing Sheets



(56)

References Cited

U.S. PATENT DOCUMENTS

2007/0224061 A1* 9/2007 Stanton F04B 53/164
417/437
2012/0213632 A1* 8/2012 Parry B29C 33/52
415/208.1
2017/0037856 A1* 2/2017 Sailer F04D 7/02

* cited by examiner

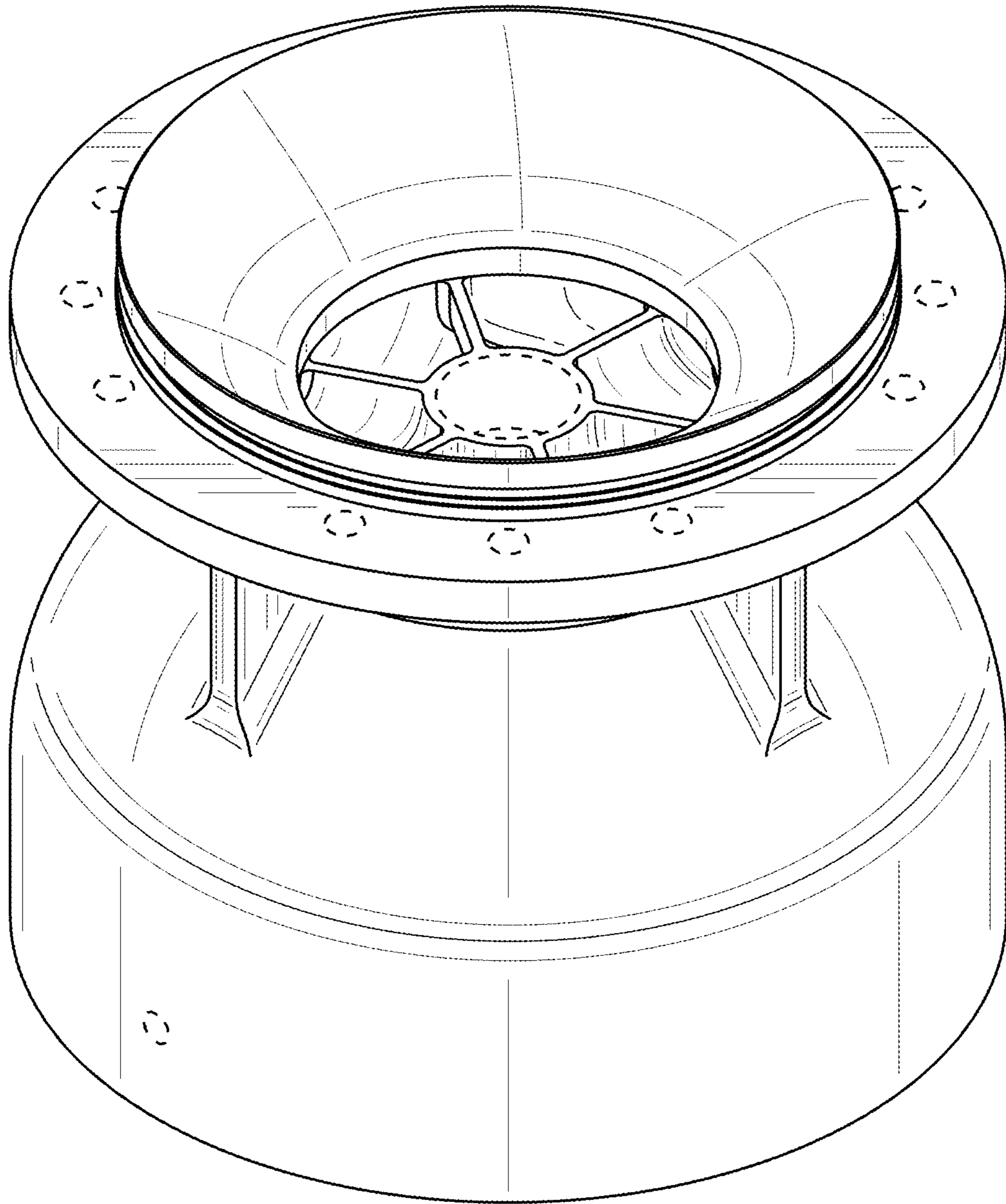


FIG. 1

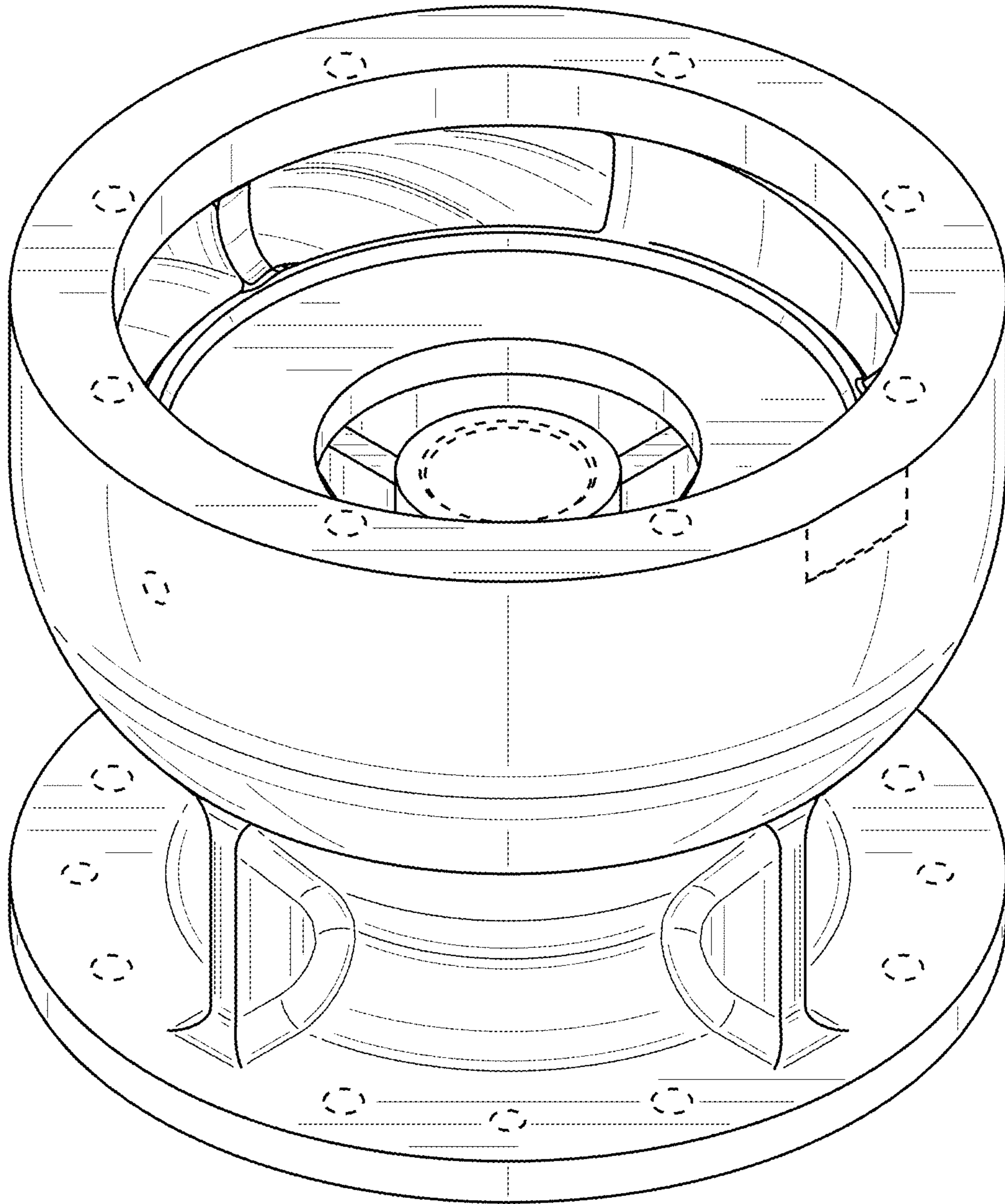


FIG. 2

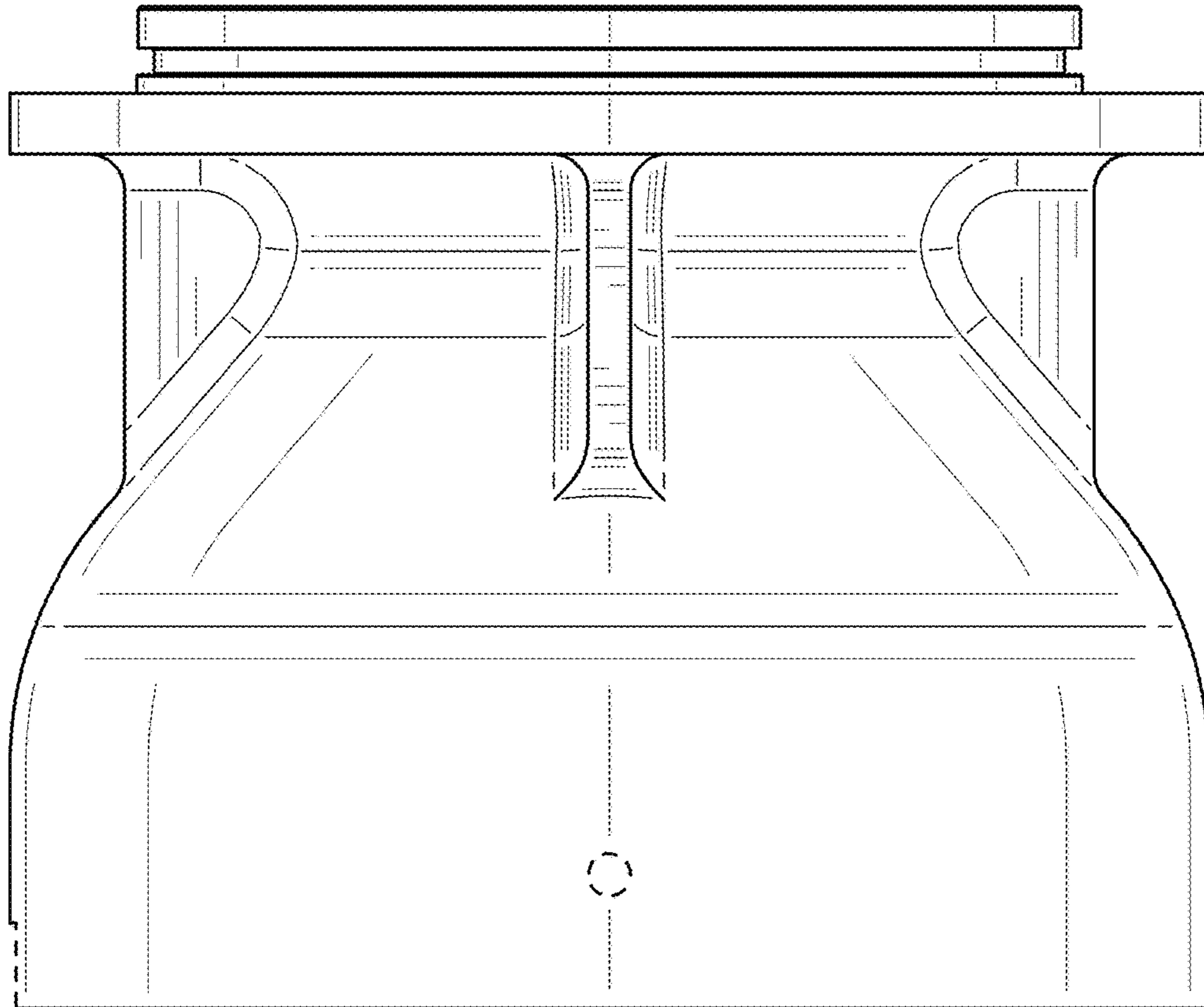


FIG. 3

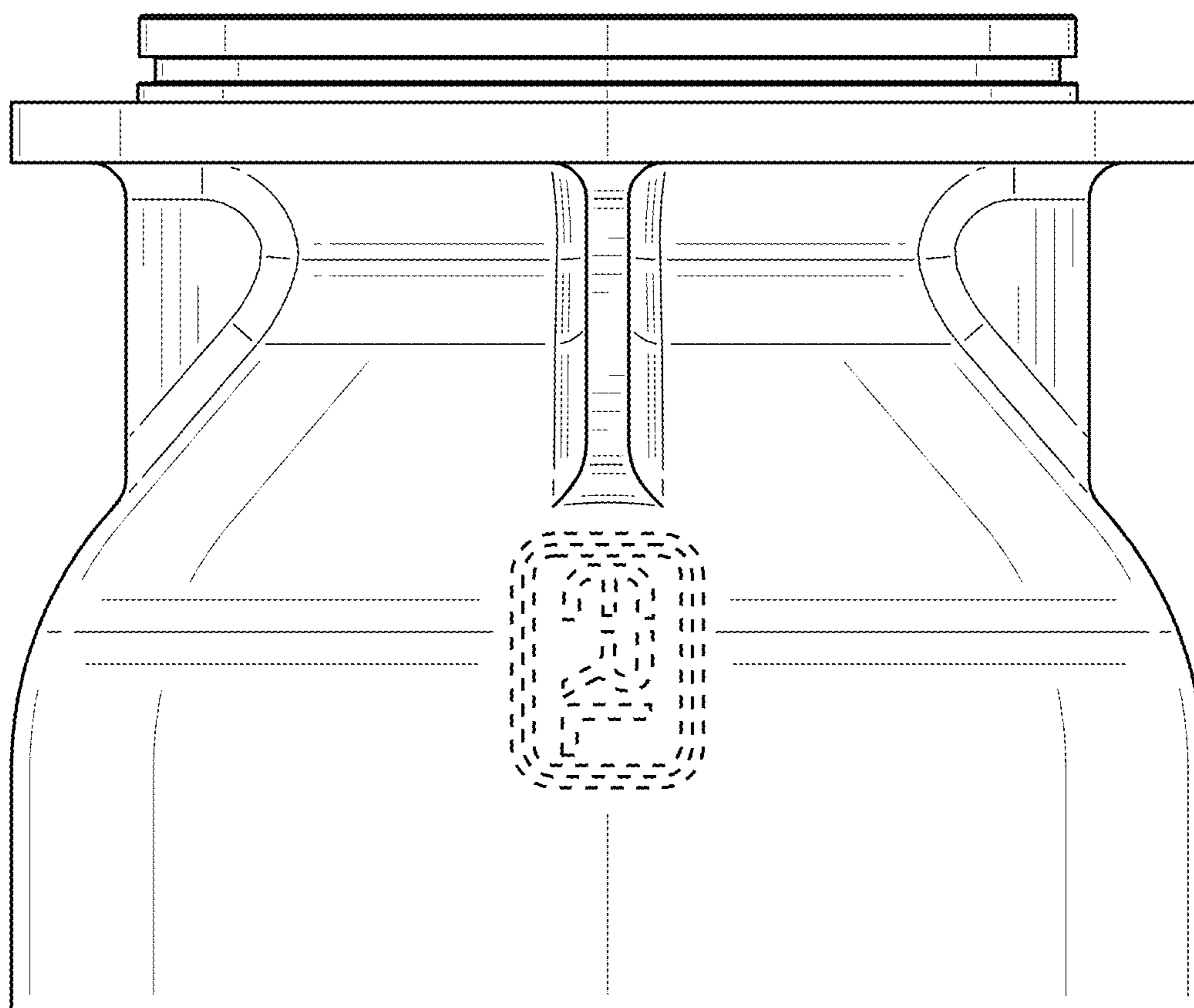


FIG. 4

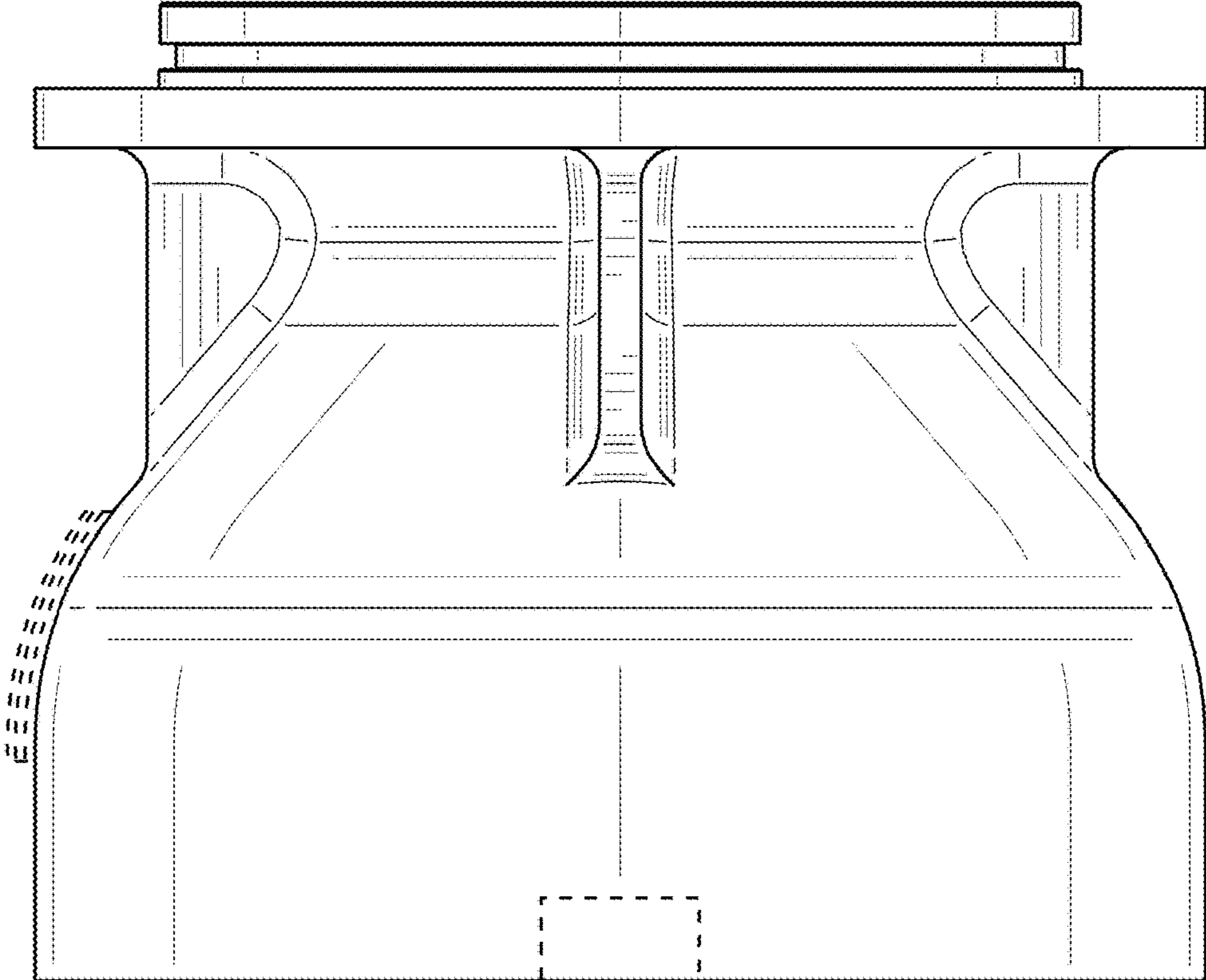


FIG. 5

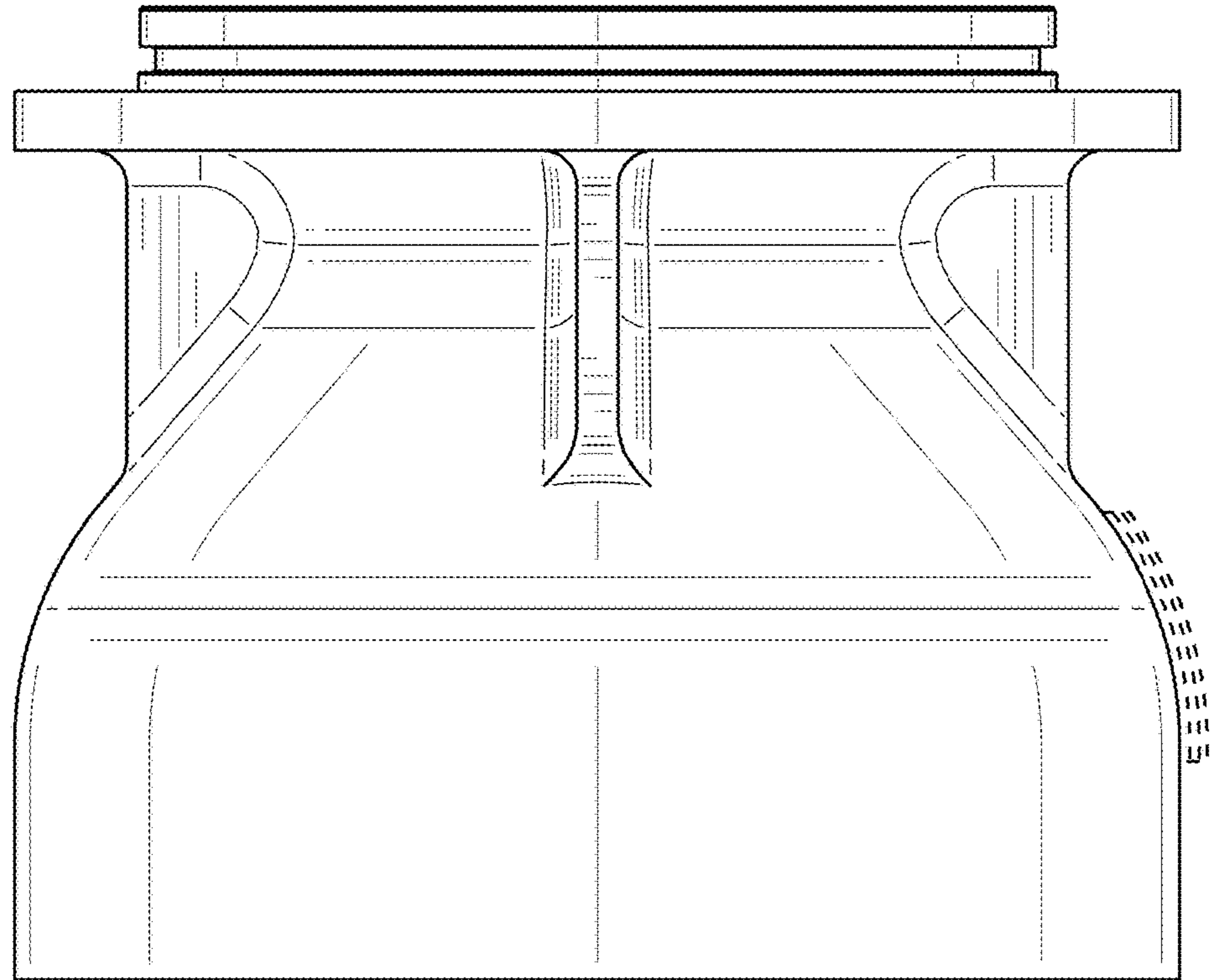


FIG. 6

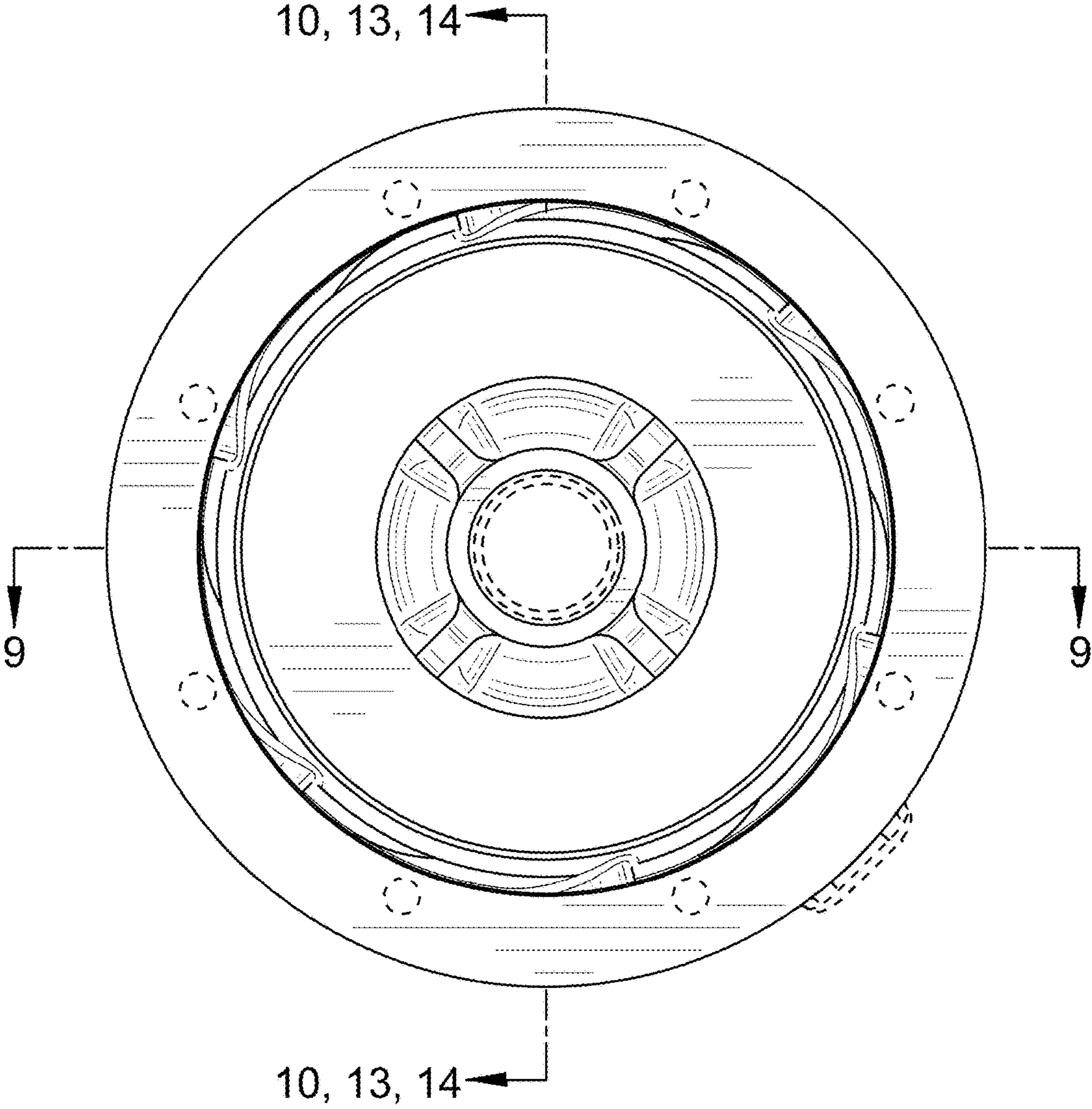


FIG. 7

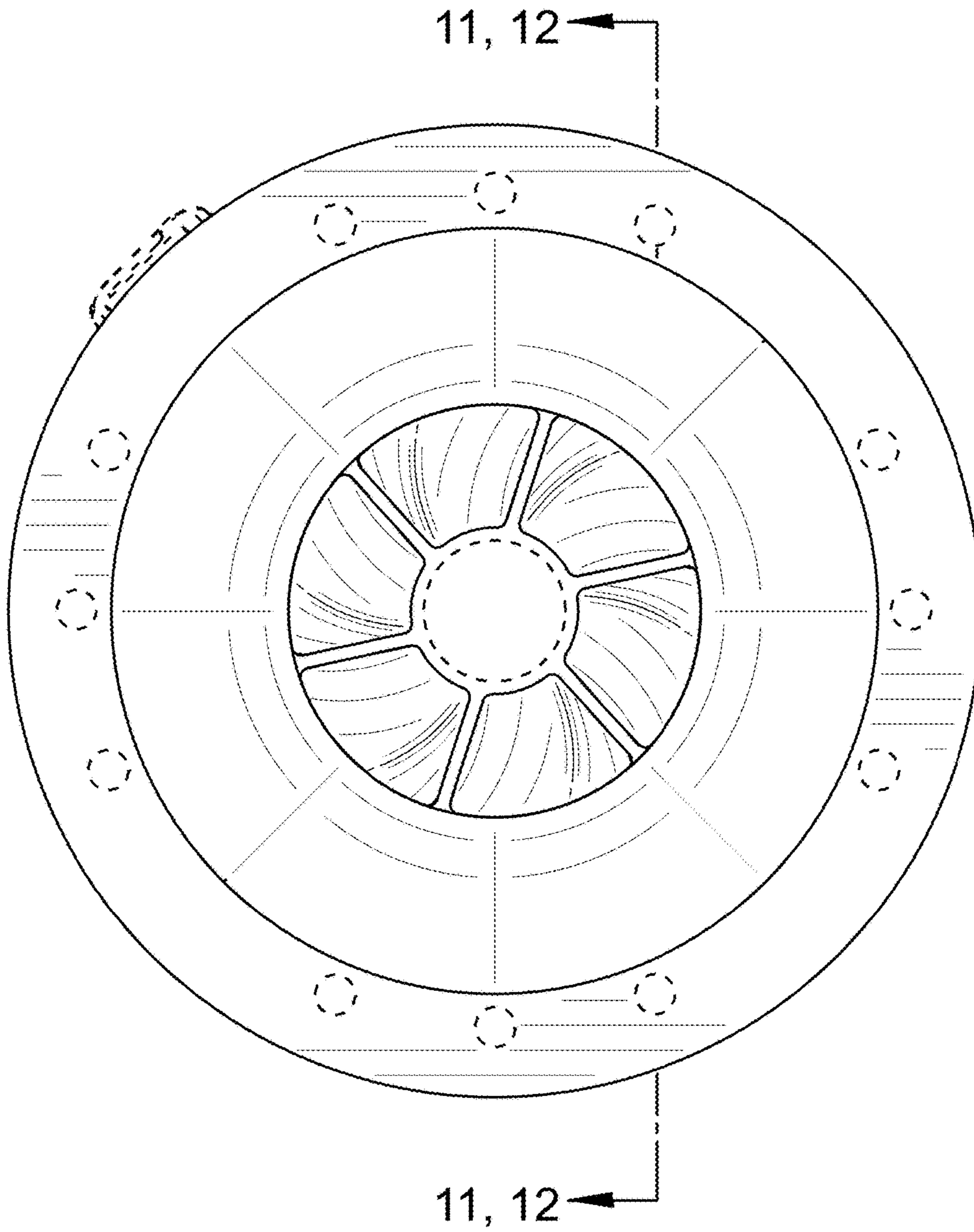


FIG. 8

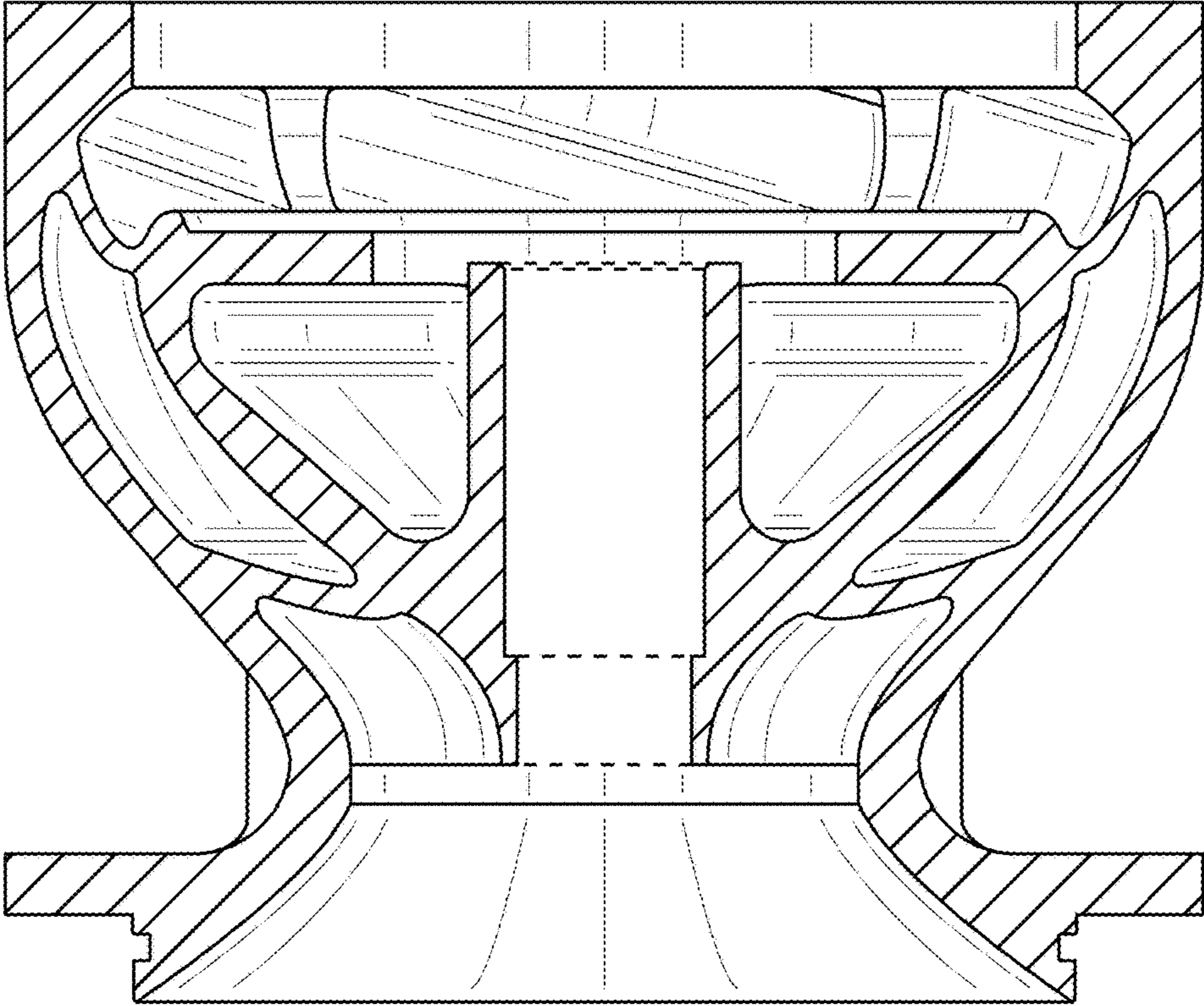


FIG. 9

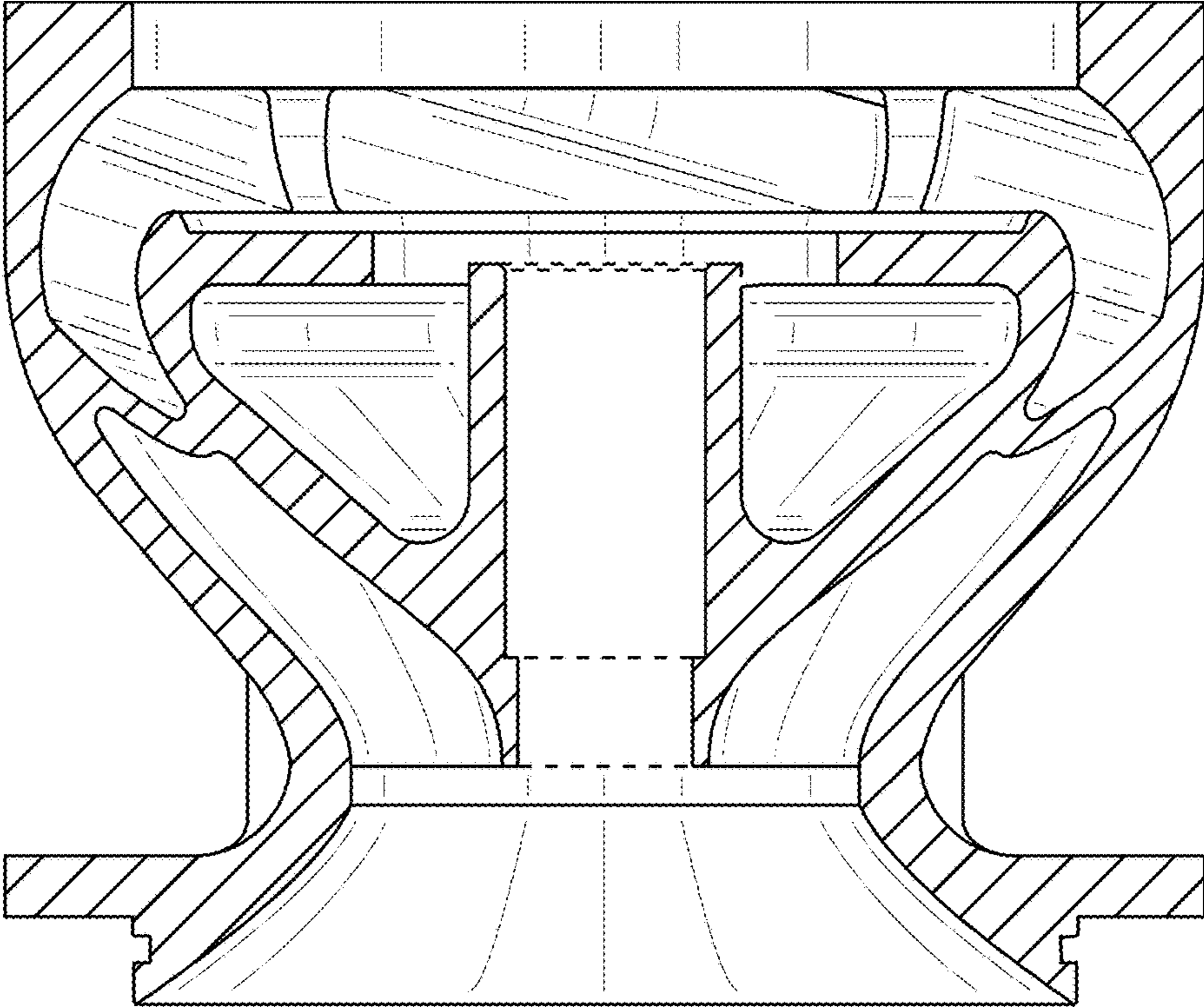


FIG. 10

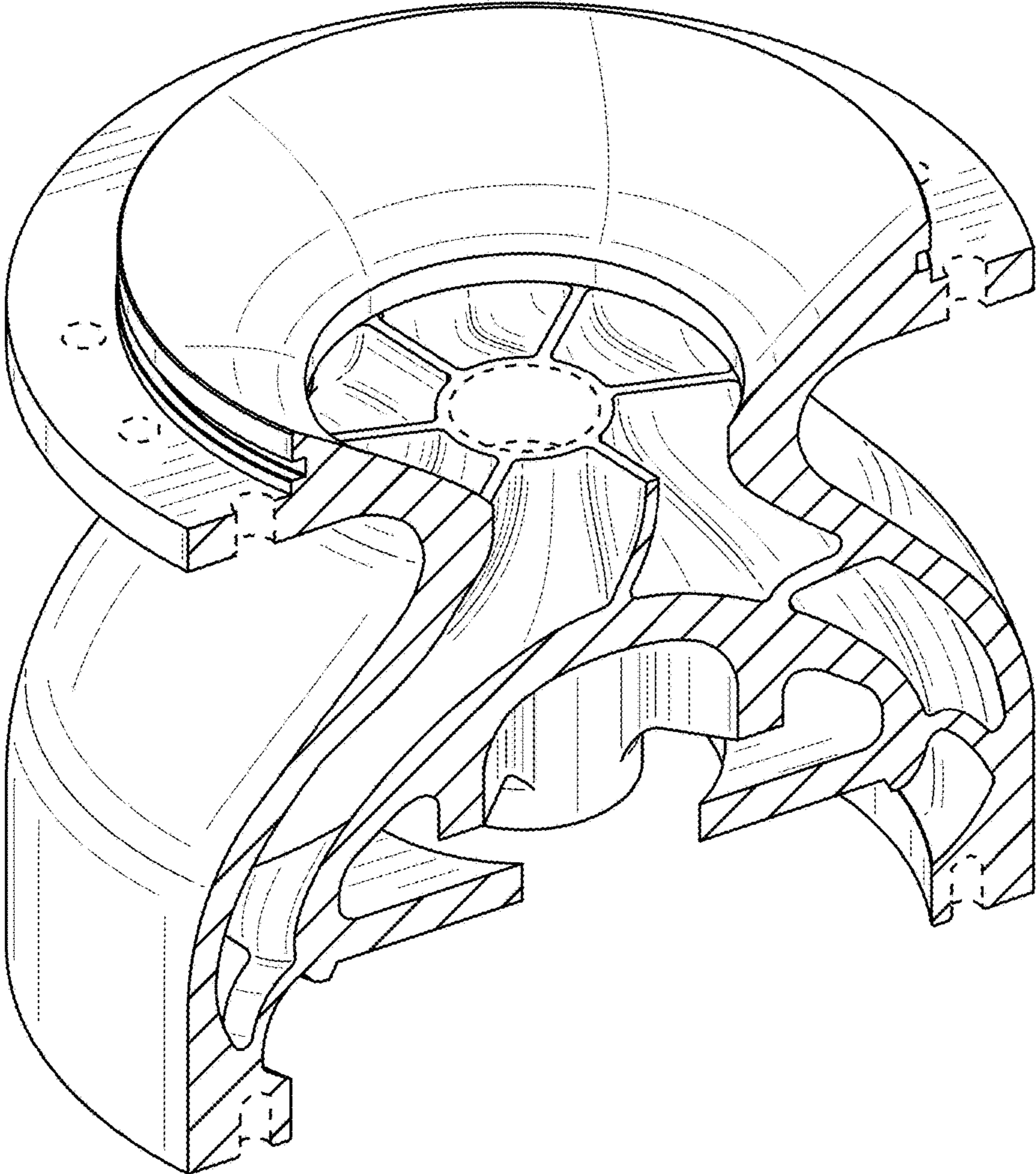


FIG. 11

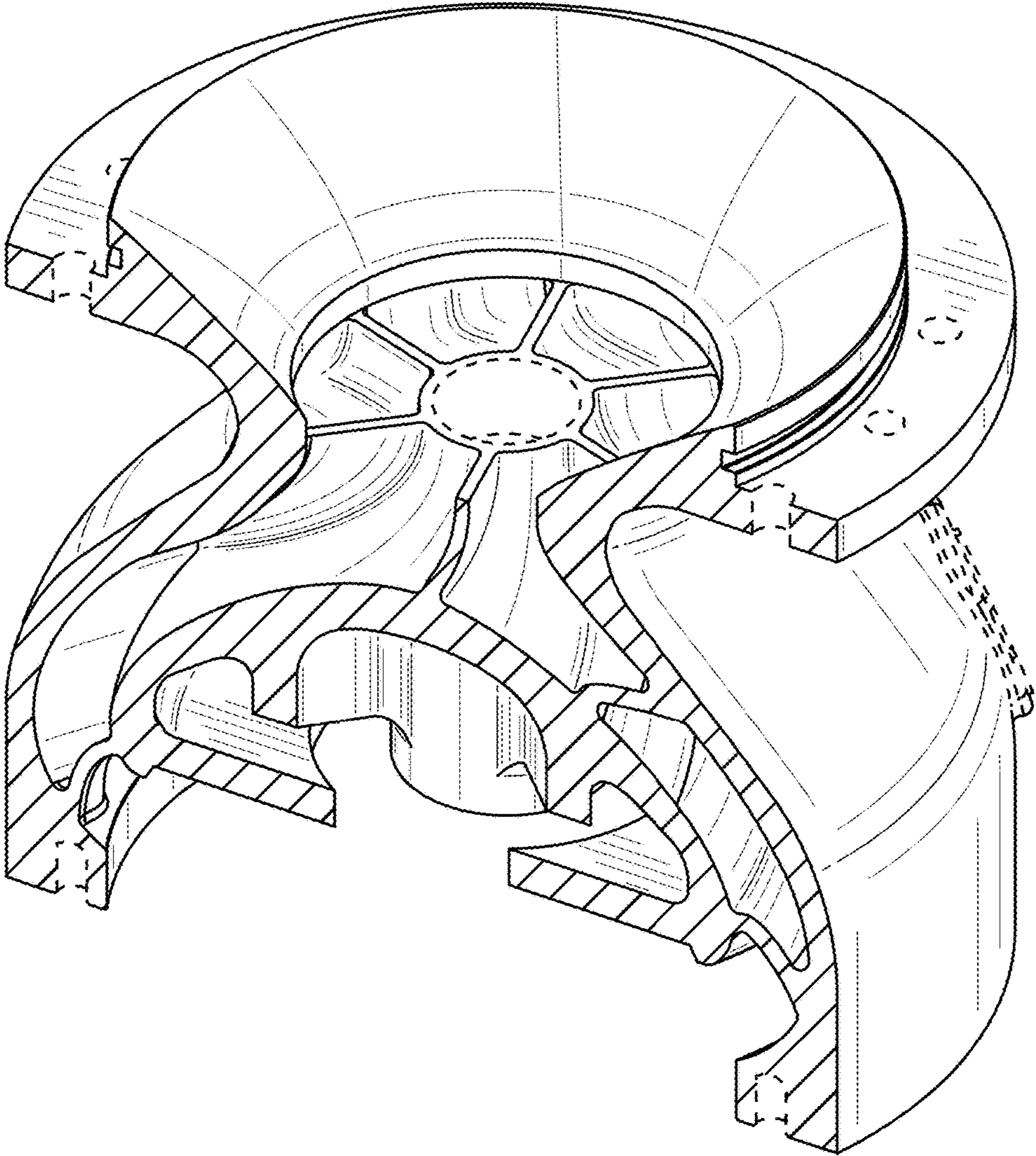


FIG. 12

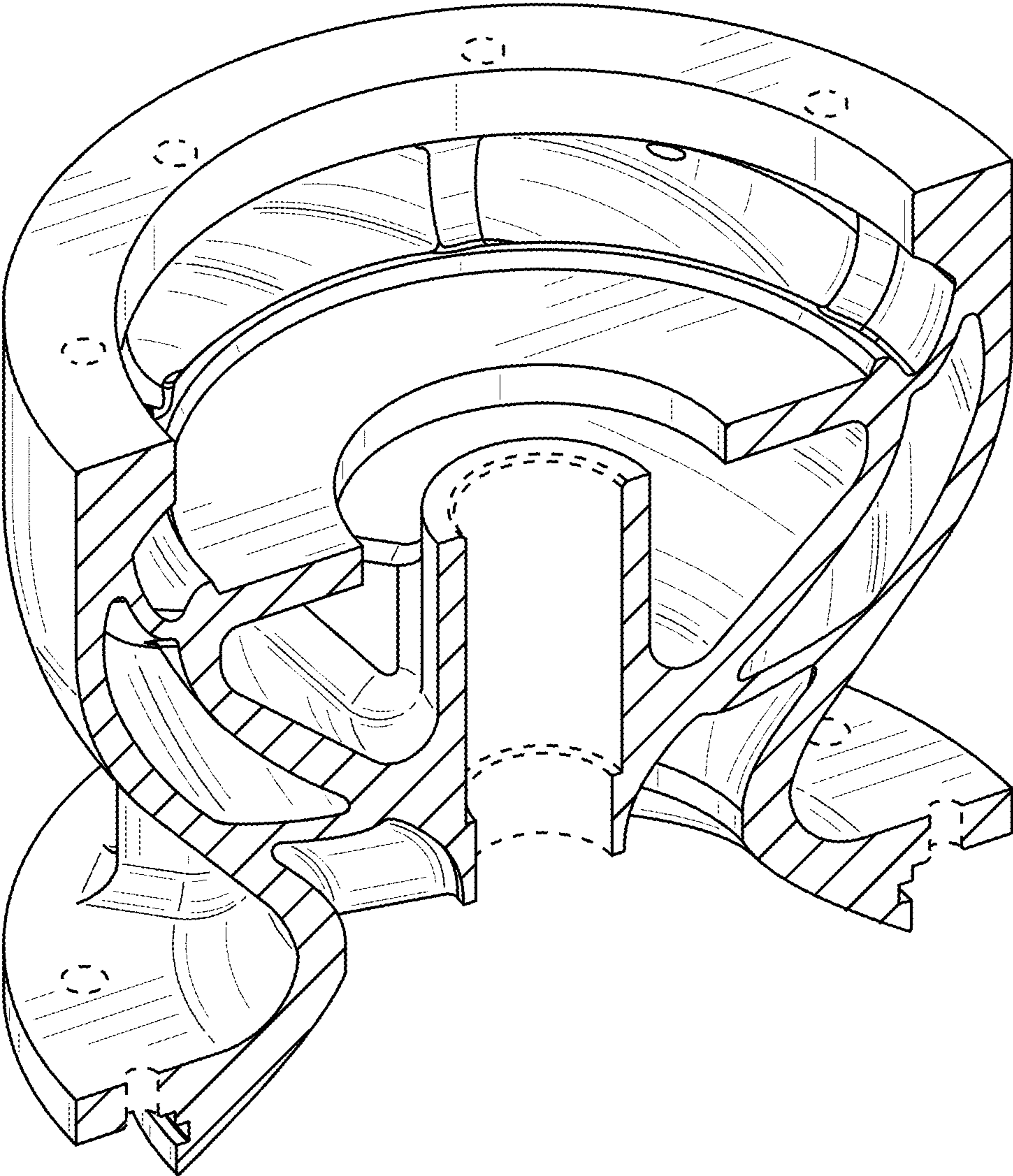


FIG. 13

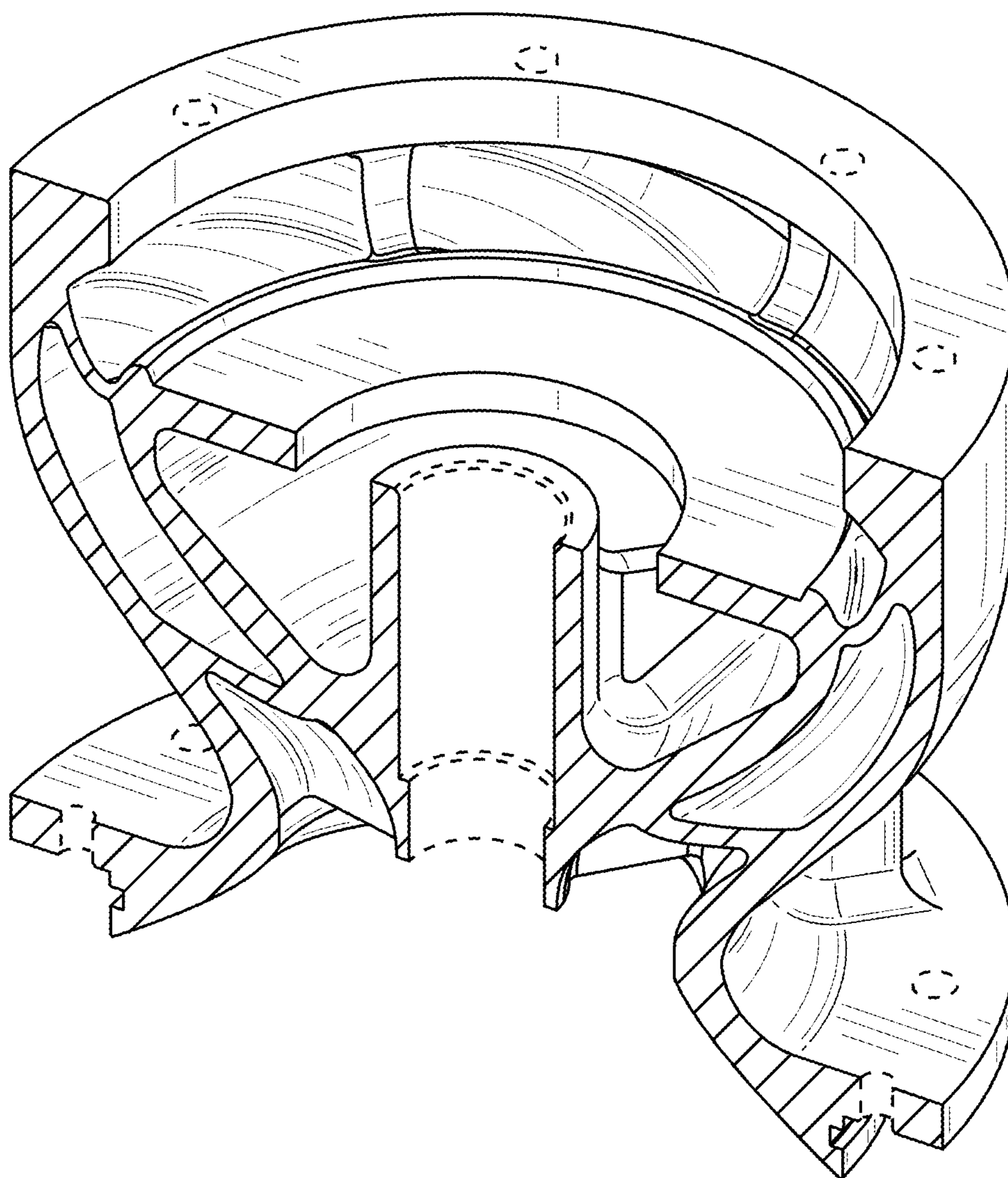


FIG. 14