

US00D82333S

(12) **United States Design Patent** (10) **Patent No.:** **US D823,333 S**
Hiratsuka et al. (45) **Date of Patent:** **** Jul. 17, 2018**

(54) **DISPLAY SCREEN WITH GRAPHICAL USER INTERFACE**

(71) Applicant: **YAMAHA CORPORATION**,
Hamamatsu-shi (JP)

(72) Inventors: **Satoshi Hiratsuka**, Hamamatsu (JP);
Piotr Tomasz Stolarski, Hamamatsu (JP)

(73) Assignee: **YAMAHA CORPORATION**,
Hamamatsu-shi, Shizuoka (JP)

(**) Term: **15 Years**

(21) Appl. No.: **29/605,754**

(22) Filed: **May 30, 2017**

(51) **LOC (11) Cl.** **14-04**

(52) **U.S. Cl.**
USPC **D14/486**; D14/492; D14/487

(58) **Field of Classification Search**
USPC D14/485–495
CPC G06F 3/04847; G06F 3/0485; G06F 3/048;
G06F 3/0488; G10H 2220/091; G10H
2220/096; G10H 2220/101; G10H
2220/106

See application file for complete search history.

(56) **References Cited**

U.S. PATENT DOCUMENTS

6,063,994 A * 5/2000 Kew G10H 1/0008
84/600
D539,809 S * 4/2007 Totten D14/487
D549,721 S * 8/2007 Ito D14/488
D597,099 S * 7/2009 Ording D14/486
7,700,866 B2 * 4/2010 Yanase G10H 1/0058
84/609

D696,285 S * 12/2013 Hally D14/487
D708,205 S * 7/2014 Maloney D14/487
D708,633 S * 7/2014 Capua D14/488
D717,823 S * 11/2014 Brotman D14/486
D728,611 S * 5/2015 Takano D14/488
D731,538 S * 6/2015 Lee D14/488
D734,773 S * 7/2015 Barbato D14/486
D746,830 S * 1/2016 Seo D14/485
D781,890 S * 3/2017 Gathman D14/486
D788,792 S * 6/2017 Alessandri D14/485
D810,771 S * 2/2018 Gandhi D14/486
2011/0259176 A1 * 10/2011 Pillhofer G09B 15/002
84/470 R
2013/0061734 A1 * 3/2013 Koseki G10H 1/0091
84/189
2013/0151556 A1 * 6/2013 Watanabe G06F 17/30755
707/769
2013/0305906 A1 * 11/2013 Kinter G10H 1/38
84/613

* cited by examiner

Primary Examiner — Karen E Kearney

Assistant Examiner — Katherine A Holbrow

(74) *Attorney, Agent, or Firm* — Sughrue Mion, PLLC

(57) **CLAIM**

The ornamental design for a display screen with graphical user interface, as shown and described.

DESCRIPTION

FIG. 1 is a front view of a display screen with graphical user interface, showing a first embodiment of the new design; FIG. 2 is a second embodiment thereof; and, FIG. 3 is a third embodiment thereof.

The broken line showing of the display screen with the graphical user interface is included for the purpose of illustrating portions of the article and forms no part of the claimed design.

1 Claim, 3 Drawing Sheets

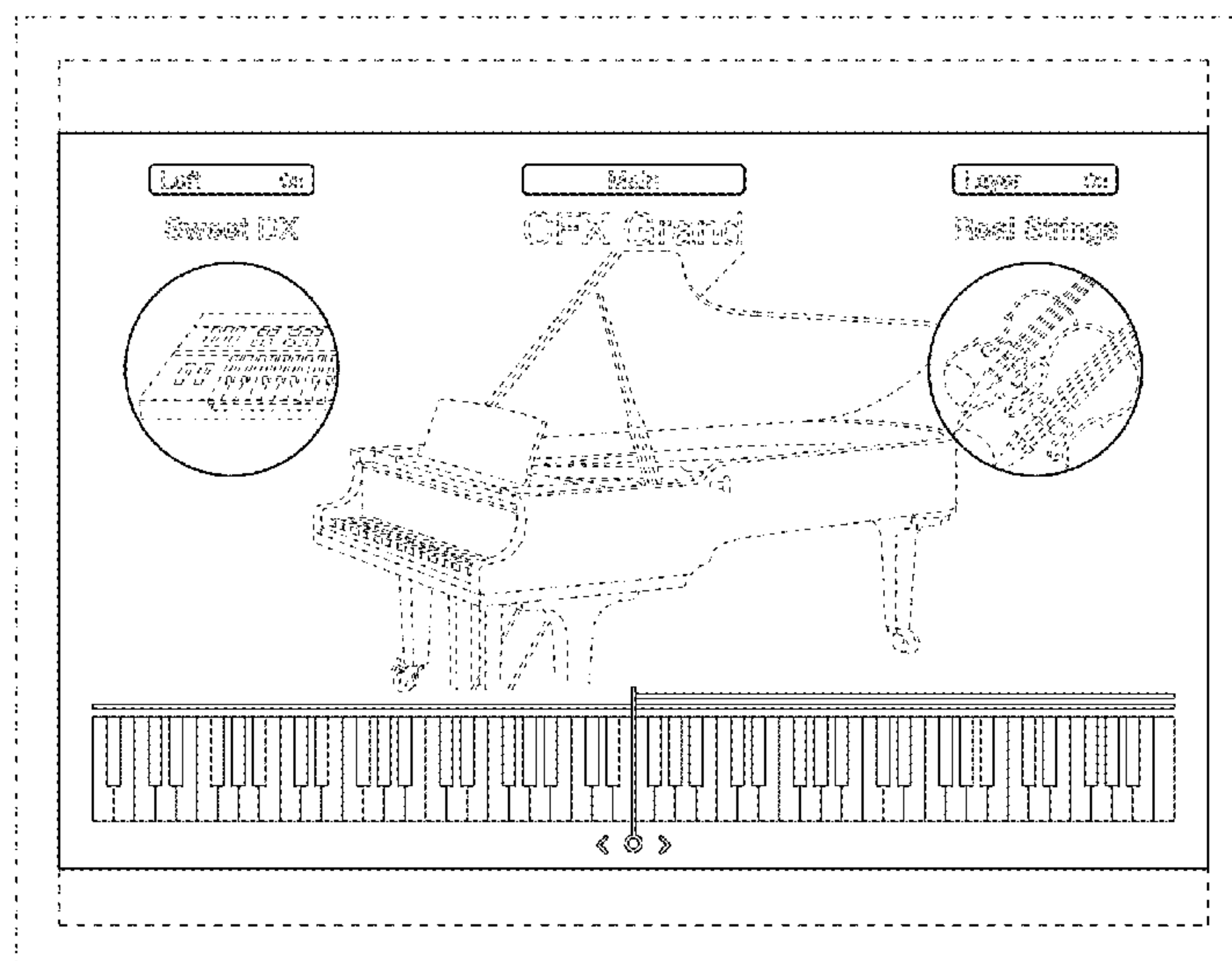


Fig. 1

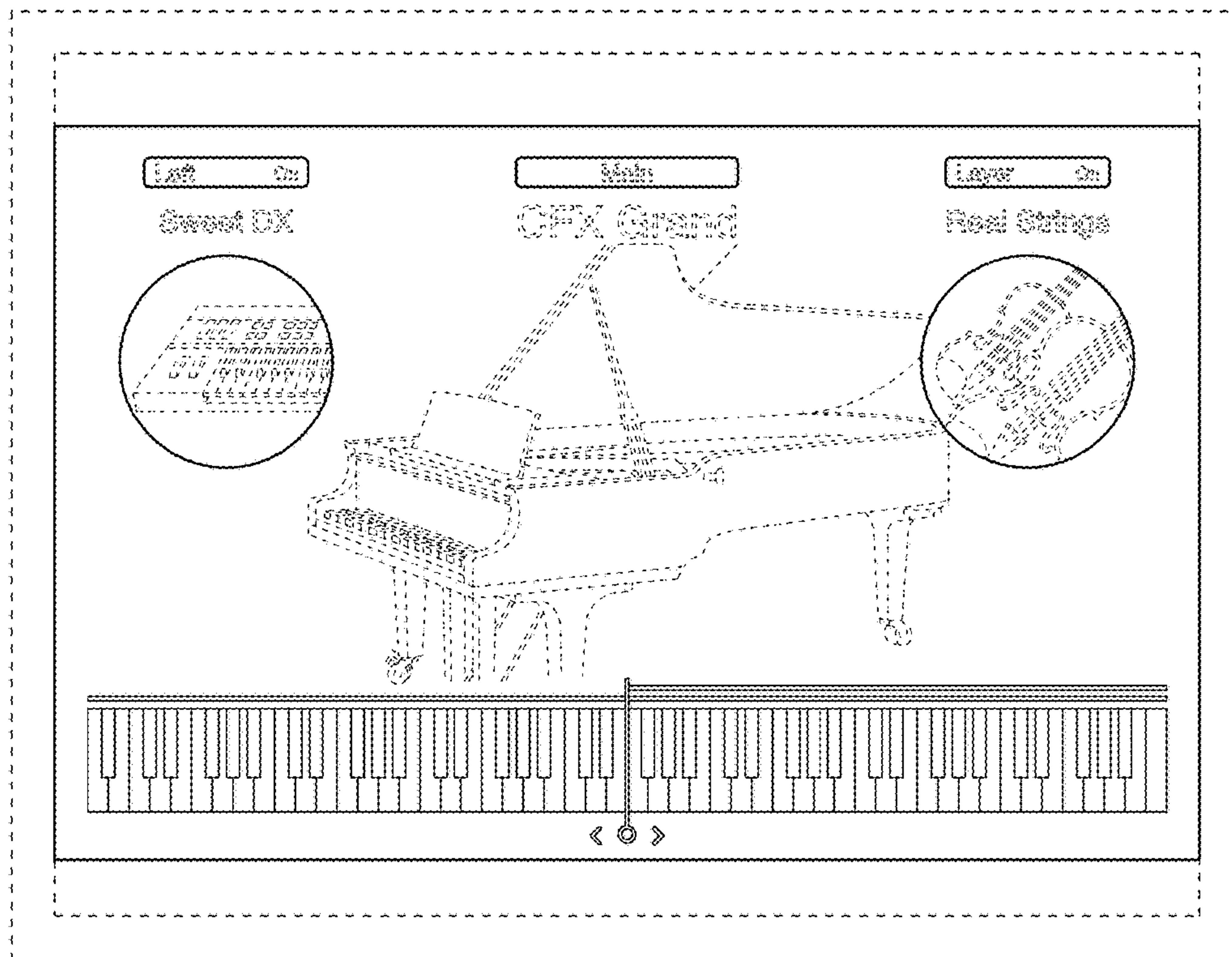


Fig. 2

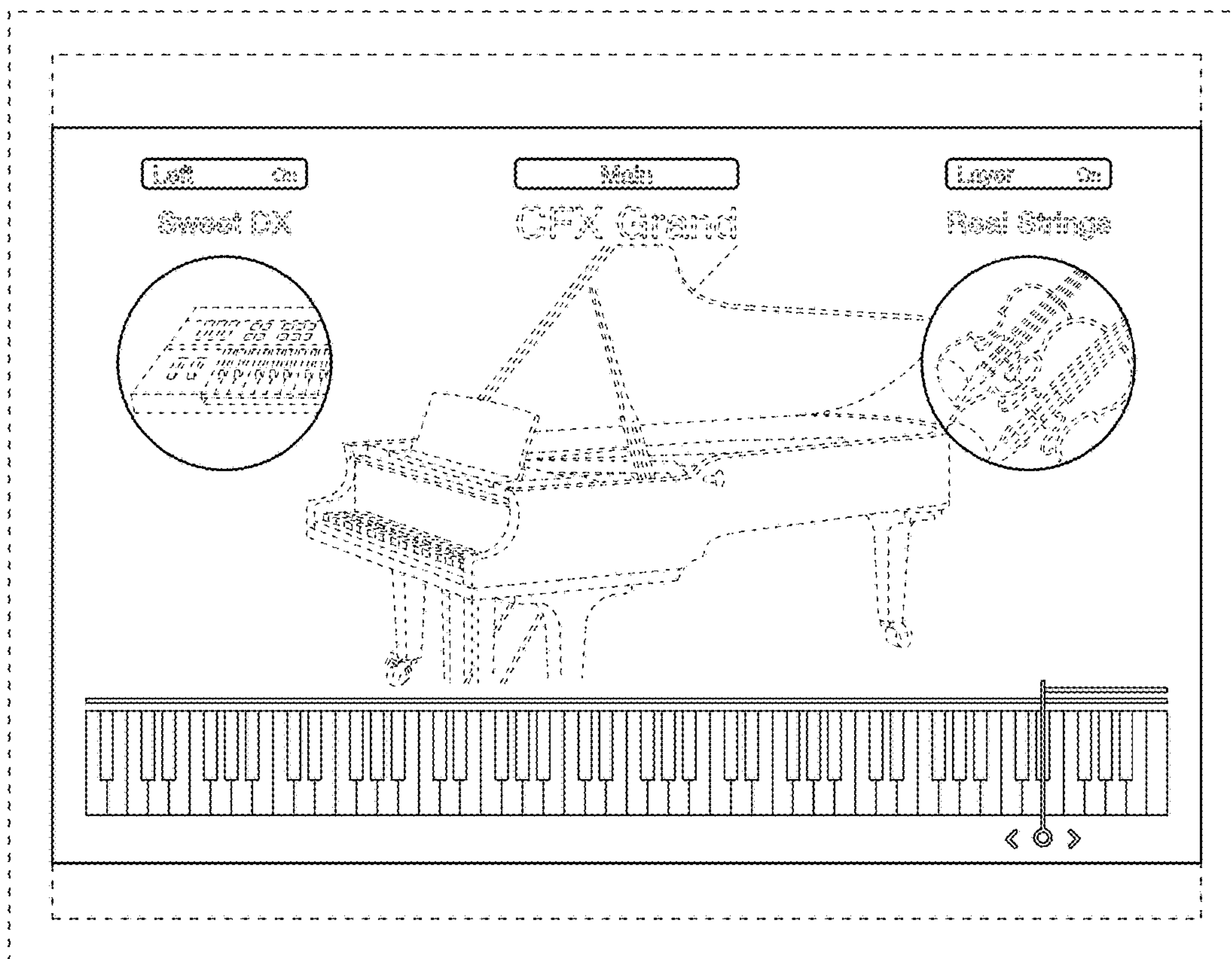


Fig. 3

