



US00D823317S

(12) **United States Design Patent** (10) **Patent No.:** **US D823,317 S**  
**Li et al.** (45) **Date of Patent:** **\*\* Jul. 17, 2018**

- (54) **MOBILE COMMUNICATION TERMINAL WITH GRAPHICAL USER INTERFACE** 5,774,120 A \* 6/1998 Goddard ..... G06F 3/0481  
715/839
- (71) Applicant: **BEIJING KINGSOFT INTERNET SECURITY SOFTWARE CO., LTD.,** 5,910,268 A \* 6/1999 Keefer ..... B65D 81/3446  
Beijing (CN) D441,543 S \* 5/2001 Lewis ..... D5/62  
6,690,991 B1 \* 2/2004 Kobayashi ..... B23Q 17/20  
33/550
- (72) Inventors: **Yuan Li, Beijing (CN); Delin Liu,** D546,342 S \* 7/2007 Armendariz ..... D14/487  
**Beijing (CN); Zhe Ma, Beijing (CN)** D667,447 S \* 9/2012 Phelan ..... D14/492  
D708,634 S \* 7/2014 Baumann ..... D14/489
- (73) Assignee: **Beijing Kingsoft Internet Security** D713,414 S \* 9/2014 Lee ..... D14/486  
**Software Co., Ltd., Beijing (CN)** D716,823 S \* 11/2014 Wood ..... D14/485  
(Continued)

(\*\*) Term: **15 Years**

(21) Appl. No.: **29/586,814**

(22) Filed: **Dec. 7, 2016**

(30) **Foreign Application Priority Data**

Jun. 7, 2016 (CN) ..... 2016 3 0228006

(51) **LOC (11) Cl.** ..... **14-04**

(52) **U.S. Cl.**  
USPC ..... **D14/485; D14/492**

(58) **Field of Classification Search**  
USPC ..... D14/485-495; D20/11; D21/324, 325  
CPC ..... G06F 3/04817; G06F 3/0482; G06F  
3/04942; G06F 3/048; G06F 3/0481;  
G06F 3/0483; G06F 3/04842; G06F  
3/0485; G06F 3/04855; G06F 3/0486;  
G06F 3/0488; G06F 3/04886; G06F  
9/4443; G06F 17/211; G06F 17/212;  
G06F 17/241; G06T 11/60; G06T 19/00;  
B65D 81/3446

See application file for complete search history.

(56) **References Cited**

**U.S. PATENT DOCUMENTS**

- 5,134,560 A \* 7/1992 Ferriter ..... G06T 19/00  
700/83
- 5,481,665 A \* 1/1996 Okada ..... G06F 3/0481  
715/745

**OTHER PUBLICATIONS**

“Paint brush, Artist icon sign” Jul. 1, 2015, posted at colourbox.  
conn, [site visited Feb. 22, 2018]. Available from Internet: <https://www.colourbox.com/vector/paint-brush-artist-icon-sign-symbol-on-the-round-and-square-buttons-with-frame-vector-vector-13602639>.\*

(Continued)

*Primary Examiner* — Karen E Kearney  
*Assistant Examiner* — John M Otte  
(74) *Attorney, Agent, or Firm* — Leanne Taveggia Farrell;  
David D. Brush; Westman, Champlin & Koehler, P.A.

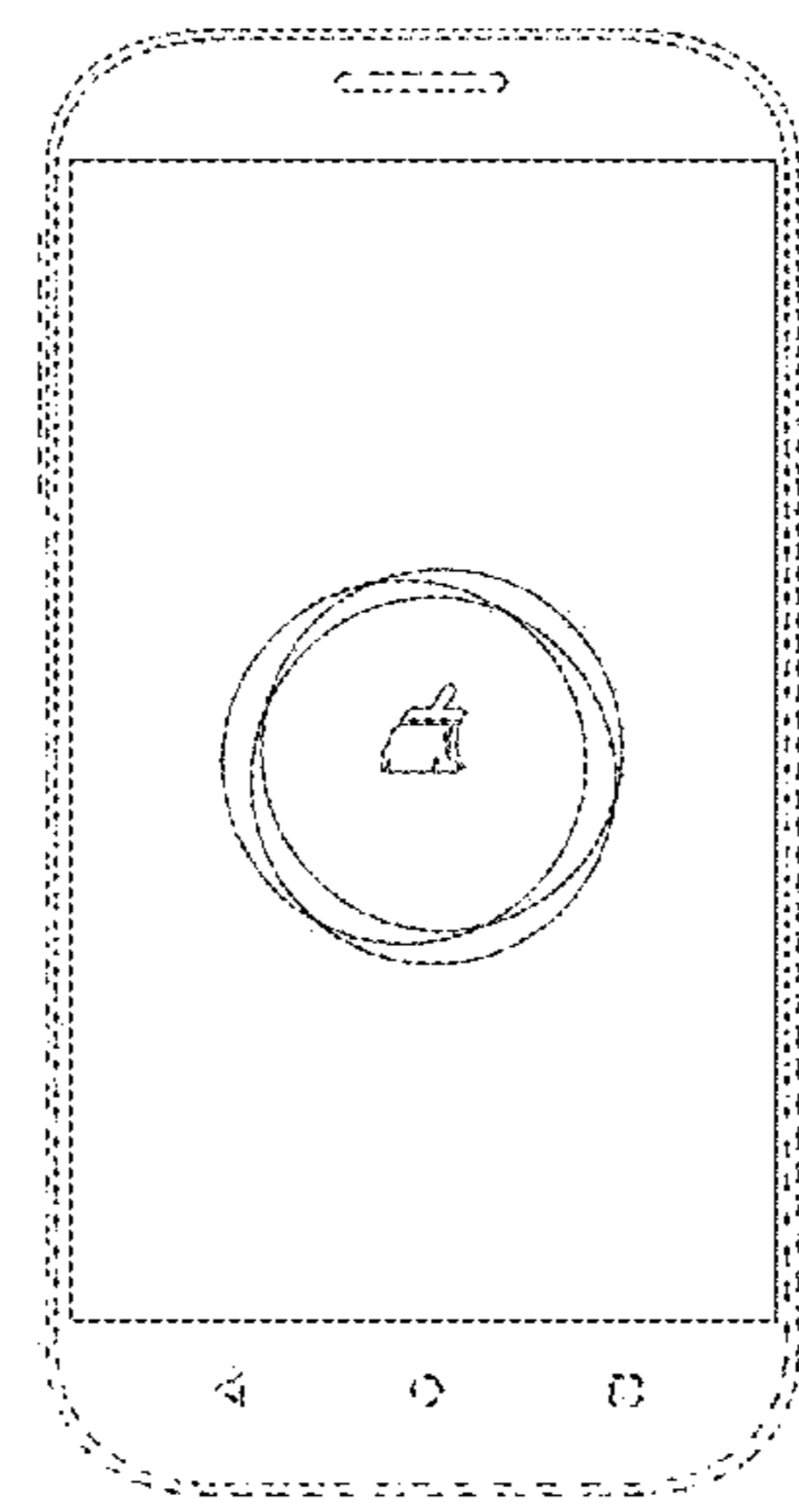
(57) **CLAIM**

The ornamental design for a mobile communication terminal with graphical user interface, as shown and described.

**DESCRIPTION**

FIG. 1 is a front view of a mobile communication device with graphical user interface showing our new design; and, FIG. 2 shows the design of FIG. 1 in environment. The broken lines shown in the drawings of a mobile communication terminal and certain graphic features of the graphical user interface form no part of the claimed design.

**1 Claim, 2 Drawing Sheets**



(56)

References Cited

U.S. PATENT DOCUMENTS

D737,853 S \* 9/2015 Gehiere ..... D14/492  
 D743,441 S \* 11/2015 Baumann ..... D14/492  
 D750,101 S \* 2/2016 Bates ..... D14/485  
 D750,102 S \* 2/2016 Bates ..... D14/485  
 D750,103 S \* 2/2016 Bates ..... D14/485  
 D752,072 S \* 3/2016 Song ..... D14/486  
 D760,777 S \* 7/2016 Lee ..... D14/489  
 D762,673 S \* 8/2016 Seo ..... D14/485  
 D762,730 S \* 8/2016 Lee ..... D14/492  
 D763,871 S \* 8/2016 Yang ..... D14/485  
 D765,729 S \* 9/2016 Chung ..... D14/492  
 D766,965 S \* 9/2016 Capela ..... D14/488  
 D768,715 S \* 10/2016 Park ..... D14/491  
 D783,652 S \* 4/2017 Guan et al.  
 D785,044 S \* 4/2017 Tursi ..... D14/492  
 D787,527 S 5/2017 Wilberding  
 2003/0160824 A1 \* 8/2003 Szumla ..... G06T 11/60  
 715/769  
 2003/0210280 A1 \* 11/2003 Baker ..... G06F 3/0481  
 715/835  
 2007/0174762 A1 \* 7/2007 Plant ..... G06F 17/241  
 715/205  
 2016/0275702 A1 \* 9/2016 Reynolds ..... G06F 3/04817

OTHER PUBLICATIONS

“Illustration of paintbrush icon with metal ring” Mar. 9, 2015, posted at alamy.com, [site visited Feb. 22, 2018]. Available from

Internet: <http://www.alamy.com/stock-photo-illustration-of-paint-brush-icon-with-metal-ring-82929283.html>.  
 \*  
 “Art, brush, graphic, paint, painting, tool icon” Oct. 1, 2015, posted at iconfinder.com, [site visited Feb. 22, 2018]. Available from Internet: [https://web.archive.org/web/20151001150813/https://www.iconfinder.com/icons/265433/art\\_brush\\_graphic\\_paint\\_painting\\_tool\\_icon](https://web.archive.org/web/20151001150813/https://www.iconfinder.com/icons/265433/art_brush_graphic_paint_painting_tool_icon).  
 \*  
 “Set of construction icons” May 20, 2016, posted at stockunlimited.com, [site visited Feb. 22, 2018]. Available from Internet: [https://web.archive.org/web/20160520234442/https://www.stockunlimited.com/vector-illustration/set-of-construction-icons\\_1544272.html](https://web.archive.org/web/20160520234442/https://www.stockunlimited.com/vector-illustration/set-of-construction-icons_1544272.html).  
 \*  
 Design U.S. Appl. No. 29/586,810 entitled “Mobile Communication Terminal With Graphical User Interface”, filed Dec. 7, 2016, 10 pages.  
 Design U.S. Appl. No. 29/586,823 entitled “Mobile Communication Terminal With Graphical User Interface”, filed Dec. 7, 2016, 10 pages.  
 Design U.S. Appl. No. 29/586,825 entitled “Mobile Communication Terminal With Graphical User Interface”, filed Dec. 7, 2016, 14 pages.  
 Design U.S. Appl. No. 29/586,828 entitled “Mobile Communication Terminal With Graphical User Interface”, filed Dec. 7, 2016, 8 pages.  
 Design U.S. Appl. No. 29/586,829 entitled “Mobile Communication Terminal With Graphical User Interface”, filed Dec. 7, 2016, 14 pages.  
 Design U.S. Appl. No. 29/586,844 entitled “Mobile Communication Terminal With Graphical User Interface”, filed Dec. 7, 2016, 27 pages.

\* cited by examiner

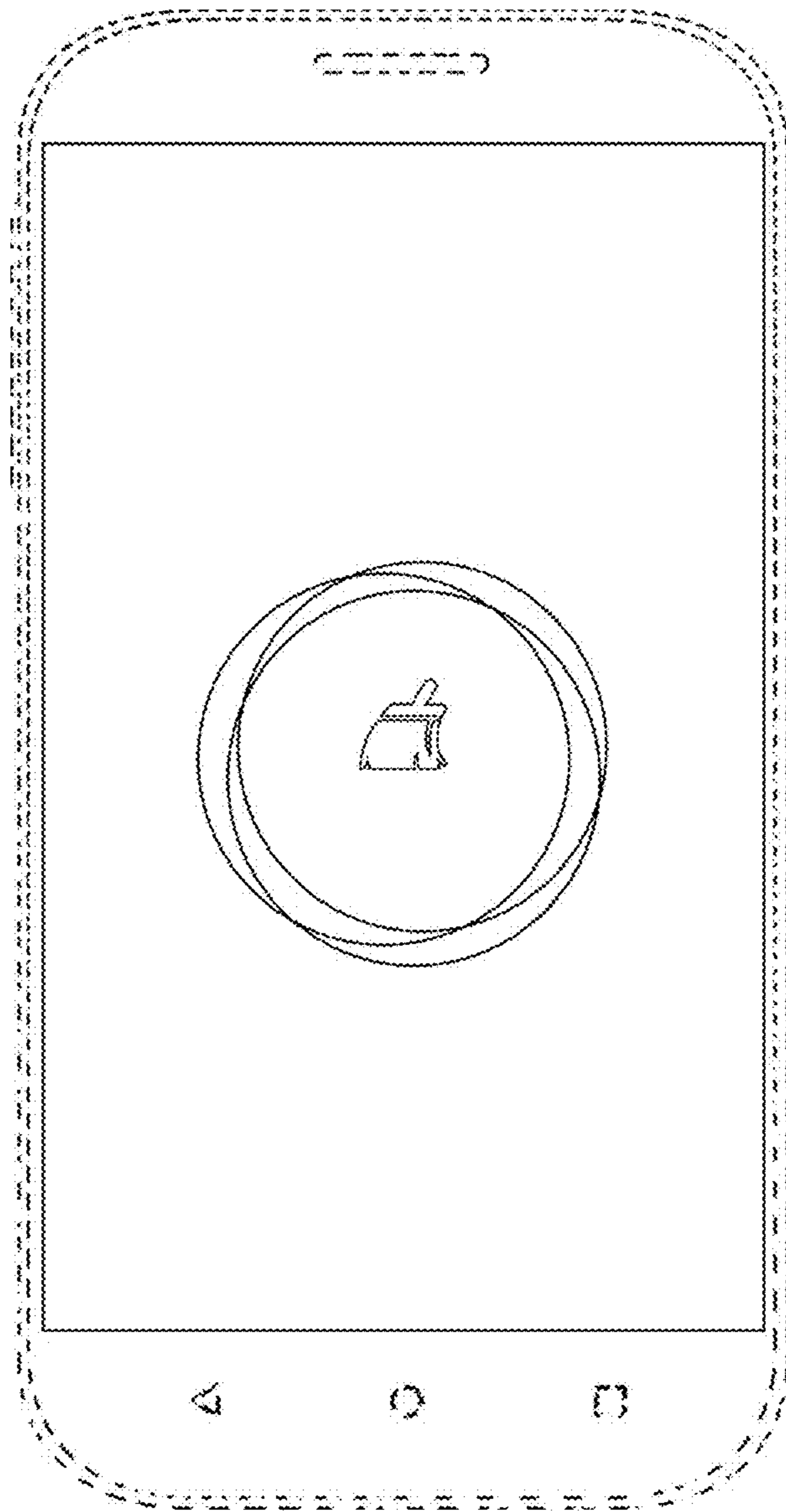


FIG. 1

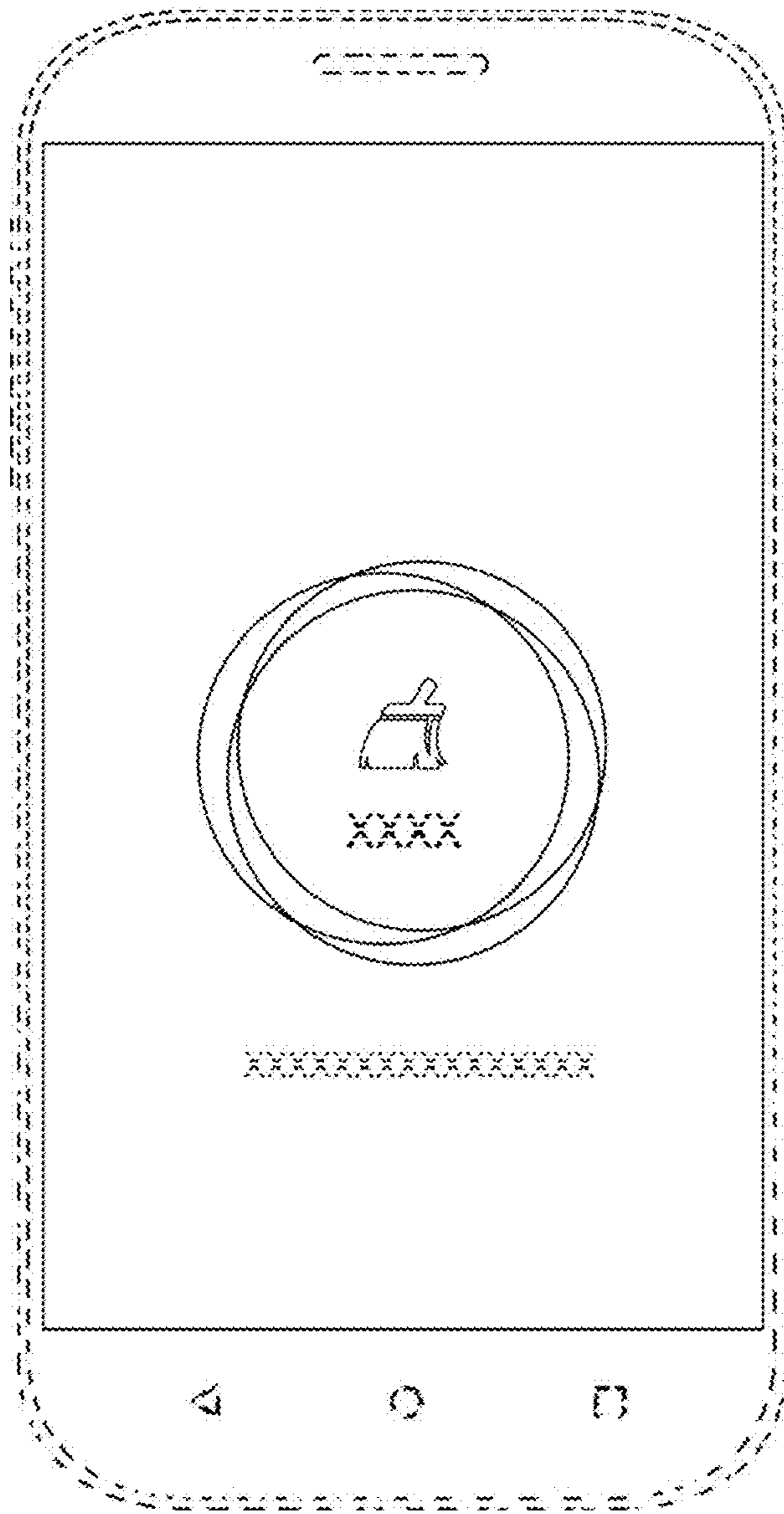


FIG. 2