



US00D823311S

(12) **United States Design Patent** (10) **Patent No.:** **US D823,311 S**
Oberpriller et al. (45) **Date of Patent:** **** Jul. 17, 2018**

(54) **WEARABLE MODULE**

(71) Applicant: **Hand Held Products, Inc.**, Fort Mill, SC (US)

(72) Inventors: **Mark Lee Oberpriller**, Atlanta, GA (US); **Timothy R. Fitch**, Syracuse, NY (US)

(73) Assignee: **Hand Held Products, Inc.**, Fort Mill, SC (US)

(**) Term: **15 Years**

(21) Appl. No.: **29/623,834**

(22) Filed: **Oct. 27, 2017**

224/267, 575; 340/5.92; D10/104.1, D10/4.31, 104.2, 98, 70, 78, 47; 379/433.1, 441; D24/168; D26/37-38, D26/41
 CPC G06K 7/10396; G06K 7/0004; G06K 7/0017; G06K 7/002; G06K 7/10881; G06K 7/10386; G06K 7/10009; G06K 7/01; G06K 7/10891; G06K 7/10544-7/1099; G06K 2007/10524; G06K 2007/10534; G06K 17/00; G06F 1/163; G06F 1/1698; G06F 1/1684; G06F 1/1633; G06F 1/1635; G06Q 20/204; G06Q 20/208; G06Q 20/30; G06Q 20/322; G06Q 20/203; A45F 5/00; A45F 2005/002; A45F 2005/008; A45F 2200/0516; A45F 2200/0525; A45F 2200/0533; A45F 2200/0508; H04N 5/74; H04N 9/3129; H04N 9/3141; H01H 2009/0221; H04W 76/02; H04W 76/021; H04W 76/025; H04W 84/12; H04W 88/00; H04W 88/005; H04W 88/02; H04W 88/021; H04W 88/04; H04W 88/08; H04B 1/385; H04B 1/3877; H04B 1/3888; H04B 1/3883; H04B 2001/3861; H04M 1/0214

Related U.S. Application Data

(63) Continuation of application No. 29/547,520, filed on Dec. 4, 2015, now Pat. No. Des. 801,346.

(51) **LOC (11) Cl.** **14-02**

(52) **U.S. Cl.**
USPC **D14/453**; D14/356; D14/358; D14/344

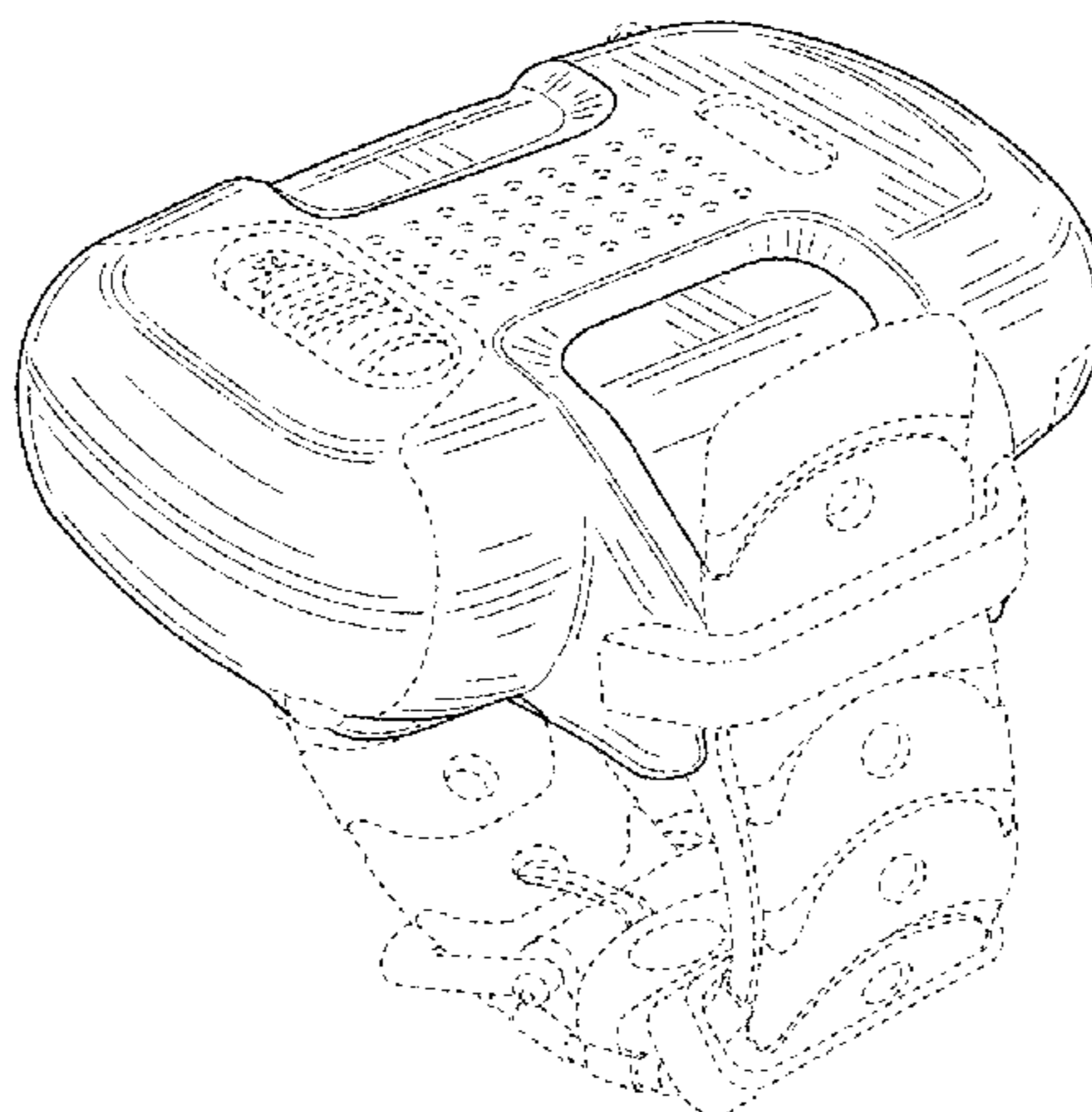
(58) **Field of Classification Search**
USPC D14/420, 426-430, 453, 346, 341, 347, D14/412, 498, 507, 371, 137, 191, 344, D14/356-359, 134, 192, 155; D13/107, D13/184, 158, 168; 358/473; 235/462.43, 462.45, 462.47, 462.48, 235/462.44, 462.46, 487, 472.01, 472.02, 235/440, 486, 462.01, 462.15, 462.21, 235/412, 375, 385; 16/110.1, 430, 431; 439/133, 135; 709/219, 201; 710/73; 320/114, 115, 123; 361/679; 382/313, 382/321; 455/575.1, 561, 572, 575.6, 455/344, 349, 563, 90.1-90.3; 705/17, 705/14.64, 14.65, 21; 341/20; 362/103; 250/370.8, 370.1; 348/E5.137, E5.143, 348/E9.026; 345/179, 156; 463/36; 14/2; 73/702; 600/300, 485; D3/218;

See application file for complete search history.

(56) **References Cited**

U.S. PATENT DOCUMENTS

D303,771 S * 10/1989 Chan D10/15
 5,230,563 A * 7/1993 Shalvi G08B 21/182
 340/620
 D350,735 S * 9/1994 Karlin D14/426
 5,351,051 A * 9/1994 Yano G07C 9/00944
 340/12.55
 D370,011 S * 5/1996 Lindeman D14/137
 D378,369 S * 3/1997 Behlke D14/137
 D382,559 S * 8/1997 Hon D14/191
 D387,758 S * 12/1997 Oross D14/137
 D389,139 S * 1/1998 Oross D14/137
 D389,827 S * 1/1998 Oross D14/137
 D391,953 S * 3/1998 Copeland D14/137
 D395,882 S * 7/1998 Oross D14/137
 D406,575 S * 3/1999 Michael D14/366
 D412,501 S * 8/1999 Tyneski D14/137



US D823,311 S

D419,154 S *	1/2000	Page	D14/137	7,976,493 B2 *	7/2011	Carter	A61M 5/14244
6,098,877 A *	8/2000	Barkan	G06K 7/10891				604/67
			235/22	8,041,396 B2 *	10/2011	Deubler, Jr.	H04L 29/06
D433,001 S *	10/2000	Haase	D14/137				455/564
D433,396 S *	11/2000	Wong	D14/137	D649,532 S *	11/2011	Tran	D14/218
D448,505 S *	9/2001	Dalton	D26/37	D650,268 S *	12/2011	Gibson	D9/420
D452,684 S *	1/2002	Sedan	D14/137	D651,731 S *	1/2012	Xu	D26/37
D453,154 S *	1/2002	Åstradsson	D14/240	8,140,131 B1 *	3/2012	Green	H04B 1/385
D455,405 S *	4/2002	Bonn	D13/158				368/10
D455,411 S *	4/2002	Wong	D14/137	8,170,231 B2 *	5/2012	Garra	B65H 75/4473
D458,248 S *	6/2002	Davies	D14/206				381/124
D462,022 S *	8/2002	Luebke	D10/78	8,196,787 B2 *	6/2012	Strandberg	A45F 5/00
D478,576 S *	8/2003	Leong	D14/223				2/16
D482,009 S *	11/2003	Robertson, Jr.	D14/137	8,210,172 B2 *	7/2012	Crowder	A61M 15/0045
D483,281 S *	12/2003	Cobigo	D10/104.1				128/200.24
D487,470 S *	3/2004	Cobigo	D10/104.1	D667,382 S *	9/2012	Cosentino	D13/168
D489,704 S *	5/2004	Kim	D14/188	D673,473 S *	1/2013	Hogg	D10/104.1
D495,303 S *	8/2004	Coullahan	D13/168	D673,848 S *	1/2013	Bailey	D9/428
D496,639 S *	9/2004	Deubler, Jr.	D10/104.1	D674,688 S *	1/2013	Loftin	D9/428
D497,019 S *	10/2004	Lee	D26/37	D674,786 S *	1/2013	Park	D14/240
D500,486 S *	1/2005	Zeitman	D14/188	D675,516 S *	2/2013	Horton	D9/424
6,853,293 B2 *	2/2005	Swartz	G06F 1/163	D675,946 S *	2/2013	Chan	D10/65
			235/462.15	D684,685 S *	6/2013	Schneider	D24/108
D508,028 S *	8/2005	Deubler, Jr.	D10/104.1	D685,083 S *	6/2013	Schneider	D24/108
D508,239 S *	8/2005	Kim	D14/138 AB	D685,084 S *	6/2013	Guarraia	D24/108
D510,046 S *	9/2005	Li	D10/106.1	D685,753 S *	7/2013	Kang	D14/137
D514,085 S *	1/2006	Lee	D14/188	D687,140 S *	7/2013	Guarraia	D24/108
D514,527 S *	2/2006	DiPasquale	D13/168	D687,141 S *	7/2013	Schneider	D24/108
D519,478 S *	4/2006	Lee	D14/138 AB	D687,536 S *	8/2013	Guarraia	D24/108
D519,489 S *	4/2006	Joseph	D14/191	D688,784 S *	8/2013	Schneider	D24/108
D522,487 S *	6/2006	Lee	D14/155	D689,862 S *	9/2013	Liu	D14/402
D525,962 S *	8/2006	Elson	D14/142	D695,315 S *	12/2013	Baggio	D14/496
D535,284 S *	1/2007	Peng	D14/188	D700,157 S *	2/2014	Kang	D14/137
D536,692 S *	2/2007	Alwicker	D14/188	D700,158 S *	2/2014	Kang	D14/137
D540,969 S *	4/2007	Ueda	D26/37	D710,228 S *	8/2014	Burke	D10/104.1
D542,252 S *	5/2007	Lee	D14/138 AB	D710,229 S *	8/2014	Burke	D10/104.1
D543,174 S *	5/2007	Kim	D14/138 AD	D711,758 S *	8/2014	Heath	D10/104.1
D548,728 S *	8/2007	Yoshiyama	D14/218	D713,816 S *	9/2014	Fleetwood	D14/155
D555,146 S *	11/2007	Sandy	D14/167	D714,266 S *	9/2014	Okamura	D14/191
D555,171 S *	11/2007	Dai	D14/496	D715,667 S *	10/2014	Shigeno	D10/70
D557,354 S *	12/2007	Berger	D21/533	D718,866 S *	12/2014	Law	D24/167
D557,624 S *	12/2007	Coster	D10/70	D724,963 S *	3/2015	Ambrose	D10/47
D560,810 S *	1/2008	Hennessy	D24/214	D725,085 S *	3/2015	Barker	D14/137
D561,159 S *	2/2008	Heng	D14/138 AB	D725,768 S *	3/2015	Eustis	24/108
D561,703 S *	2/2008	Shimokawa	D13/168	D726,567 S *	4/2015	De Jong	D10/70
D562,778 S *	2/2008	Bonnaud	D13/168	D726,831 S *	4/2015	Lee	D13/168
D563,434 S *	3/2008	Dai	D14/496	D736,107 S *	8/2015	Lee	D10/70
D564,387 S *	3/2008	Rubin	D10/104.1	D738,357 S *	9/2015	Khairudin	D14/226
D565,569 S *	4/2008	Viduya	D14/356	D740,793 S *	10/2015	Jobetto	D14/225
D572,230 S *	7/2008	Neu	D14/155	D743,381 S *	11/2015	Pi	D14/218
D576,127 S *	9/2008	Tran	D14/137	D744,109 S *	11/2015	Yoneta	D24/186
D576,611 S *	9/2008	Wilson	D14/225	D744,110 S *	11/2015	Kubo	D24/186
D577,010 S *	9/2008	Wilson	D14/225	D745,142 S *	12/2015	O'Connor	D24/111
D577,721 S *	9/2008	O'Neil	D14/358	D747,077 S *	1/2016	Jayalath	D2/857
D580,939 S *	11/2008	Fitch	D14/420	9,237,869 B1 *	1/2016	Lee	A61B 5/6804
D583,341 S *	12/2008	Wang	D14/138 AB	D750,624 S *	3/2016	Kerley	D10/38
D589,186 S *	3/2009	Coushaine	D26/37	D753,327 S *	4/2016	Miki	D26/37
7,534,206 B1 *	5/2009	Lovitt	A61B 5/02438	D753,810 S *	4/2016	Chang	D24/108
			600/300	D755,653 S *	5/2016	Shinmei	D10/47
D597,211 S *	7/2009	Ewing	D24/187	D757,275 S *	5/2016	Lee	D24/187
D597,690 S *	8/2009	Yamamoto	D26/37	D759,867 S *	6/2016	Grandadam	D26/37
D608,923 S *	1/2010	Yamamoto	D26/49	D760,374 S *	6/2016	Nagar	D24/108
D612,866 S *	3/2010	Sukeda	D14/496	D764,463 S *	8/2016	Dwivedula	D14/358
D616,870 S *	6/2010	Choo	D14/218	D768,288 S *	10/2016	O'Connor	D24/111
D619,558 S *	7/2010	Seil	D14/155	D770,037 S *	10/2016	Schleicher	D24/111
D622,685 S *	8/2010	Garra	D14/137	D773,329 S *	12/2016	Olodort	D10/104.1
D626,952 S *	11/2010	Ding	D14/242	9,511,189 B2 *	12/2016	O'Connor	A61M 5/158
D627,815 S *	11/2010	Oba	D16/202	D776,253 S *	1/2017	Li	D24/108
D632,269 S *	2/2011	Garra	D14/137	D776,265 S *	1/2017	Tyce	D24/113
D633,507 S *	3/2011	Nelson	D14/484.1	D777,331 S *	1/2017	Jayalath	D14/344
D634,655 S *	3/2011	Nielsen	D10/47	D779,347 S *	2/2017	Zampini, II	D10/70
D635,946 S *	4/2011	Garra	D14/137	D783,170 S *	4/2017	Carreon	D24/167
D636,371 S *	4/2011	Spielvogel	D14/142	D787,349 S *	5/2017	Payne	D10/78
7,927,306 B2 *	4/2011	Cross	A61M 5/1424	D789,363 S *	6/2017	Jentz	D14/218
			604/151	D789,366 S *	6/2017	Jentz	D14/218
7,931,621 B2 *	4/2011	Cross	A61M 5/1413	D789,367 S *	6/2017	Jentz	D14/218
			604/158	D791,221 S *	7/2017	Slaton	G10G 7/02
D638,394 S *	5/2011	Richards	D14/155				D17/20
				D791,306 S *	7/2017	Clemente	D24/111

US D823,311 S

D791,743 S *	7/2017	Meinertz	D14/225	2010/0277759 A1*	11/2010	Studer	G06K 7/00
9,707,335 B2 *	7/2017	Agard	A61M 5/14216				358/1.15
D794,609 S *	8/2017	Meyer	D14/218	2011/0124383 A1*	5/2011	Garra	H04M 1/72519
D794,770 S *	8/2017	Wu	D24/108				455/575.1
D794,771 S *	8/2017	Wu	D24/108	2011/0175705 A1*	7/2011	Bellows	G06K 7/10386
D795,109 S *	8/2017	Olodort	D10/104.1				340/10.1
9,737,655 B2 *	8/2017	Clemente	A61M 5/14224	2012/0035546 A1*	2/2012	Cabiri	A61M 5/14248
D799,353 S *	10/2017	Qu	D10/104.2				604/151
D800,313 S *	10/2017	Chang	D24/167	2012/0211946 A1*	8/2012	Halili	A61M 5/162
D801,346 S *	10/2017	Oberpriller	D14/453				277/607
9,802,030 B2 *	10/2017	Clemente	A61M 39/04	2012/0296311 A1*	11/2012	Brauker	A61B 5/0002
D803,193 S *	11/2017	Meinertz	D14/225				604/504
D804,019 S *	11/2017	Costell	D24/113	2013/0060196 A1*	3/2013	O'Connor	A61M 5/14566
D804,042 S *	11/2017	Cohrs	D24/186				604/152
9,814,832 B2 *	11/2017	Agard	A61M 5/14566	2013/0066274 A1*	3/2013	O'Connor	A61M 5/1452
D804,650 S *	12/2017	Costello	D24/113				604/151
D805,186 S *	12/2017	Costello	D24/113	2013/0253420 A1*	9/2013	Favreau	F04B 49/10
D805,187 S *	12/2017	Costello	D24/113				604/67
D805,188 S *	12/2017	Costello	D24/113	2013/0310753 A1*	11/2013	Cabiri	A61M 5/14248
D805,189 S *	12/2017	Costello	D24/113				604/180
D805,407 S *	12/2017	Usui	D10/47	2014/0128757 A1*	5/2014	Banet	A61B 5/053
D805,496 S *	12/2017	Yin	D14/155				600/513
D805,632 S *	12/2017	Costello	D24/113	2014/0148872 A1*	5/2014	Goldwasser	A61N 1/36082
D805,633 S *	12/2017	Costello	D24/113				607/45
D806,232 S *	12/2017	Hwang	D24/112	2014/0200510 A1*	7/2014	Agard	A61M 5/3157
D806,234 S *	12/2017	Costello	D24/113				604/65
D806,235 S *	12/2017	Costello	D24/113	2014/0207065 A1*	7/2014	Yavorsky	A61M 5/14248
D806,863 S *	1/2018	Costello	D24/113				604/151
D807,499 S *	1/2018	Costello	D24/113	2014/0221797 A1*	8/2014	Bailey	A61B 5/0002
D808,011 S *	1/2018	Costello	D24/113				600/324
D808,454 S *	1/2018	Seflic	D16/200	2015/0250943 A1*	9/2015	Momose	A61M 5/14276
D808,517 S *	1/2018	Guillermo	D24/112				604/151
D810,948 S *	2/2018	Wielunski	D24/186	2015/0306307 A1*	10/2015	Cole	A61M 5/14248
2002/0019592 A1*	2/2002	Mori	A61B 5/0225				604/508
			600/490	2015/0359965 A1*	12/2015	O'Connor	A61M 5/141
2003/0223905 A1*	12/2003	Moerman	A61B 5/411				604/123
			422/400	2016/0058941 A1*	3/2016	Wu	A61M 5/145
2004/0010199 A1*	1/2004	Hashimoto	A61B 5/02				604/136
			600/502	2016/0063293 A1*	3/2016	Sun	G06K 7/10891
2004/0021655 A1*	2/2004	Andren	G06F 1/1616				235/462.44
			345/204	2016/0095550 A1*	4/2016	Lin	A61B 5/6831
2004/0224717 A1*	11/2004	Hertzberg	H04M 1/22				600/300
			455/550.1	* cited by examiner			
2005/0064917 A1*	3/2005	Peng	H04M 1/021	<i>Primary Examiner</i> — Susan Moon Lee			
			455/575.1	(74) <i>Attorney, Agent, or Firm</i> — Additon, Higgins &			
2006/0289771 A1*	12/2006	White	G06K 7/10891	Pendleton, P.A.			
			250/370.1	(57) CLAIM			
2007/0021733 A1*	1/2007	Hansen	A61M 5/14248	The ornamental design for a wearable module, as shown and			
			604/890.1	described.			
2008/0054039 A1*	3/2008	Wulff	A45F 5/00	DESCRIPTION			
			224/575	FIG. 1 is a front perspective view of a wearable module in			
2008/0097724 A1*	4/2008	Morris	G06F 1/163	accordance with the present design;			
			702/187	FIG. 2 is a left elevation view thereof;			
2008/0129532 A1*	6/2008	Bellows	G06K 7/0004	FIG. 3 is a right elevation view thereof;			
			340/4.31	FIG. 4 is a top plan view thereof;			
2008/0171915 A1*	7/2008	Kawajiri	A61B 5/02241	FIG. 5 is a bottom plan view thereof;			
			600/300	FIG. 6 is a rear elevation view thereof; and,			
2008/0197195 A1*	8/2008	Miller	G06K 7/0004	FIG. 7 is a front elevation view thereof.			
			235/440	The broken lines shown depict unclaimed features of the			
2009/0088689 A1*	4/2009	Carter	A61M 5/1424	wearable module and form no part of the claimed design.			
			604/151	1 Claim, 7 Drawing Sheets			
2009/0088694 A1*	4/2009	Carter	A61M 5/14248				
			604/151				
2009/0240240 A1*	9/2009	Hines	A61M 5/14248				
			604/890.1				
2010/0160834 A1*	6/2010	Fong	A61B 5/1118				
			600/595				
2010/0176166 A1*	7/2010	Siagri	A44C 5/0007				
			224/271				
2010/0203849 A1*	8/2010	Straub	H04B 1/38				
			455/90.2				

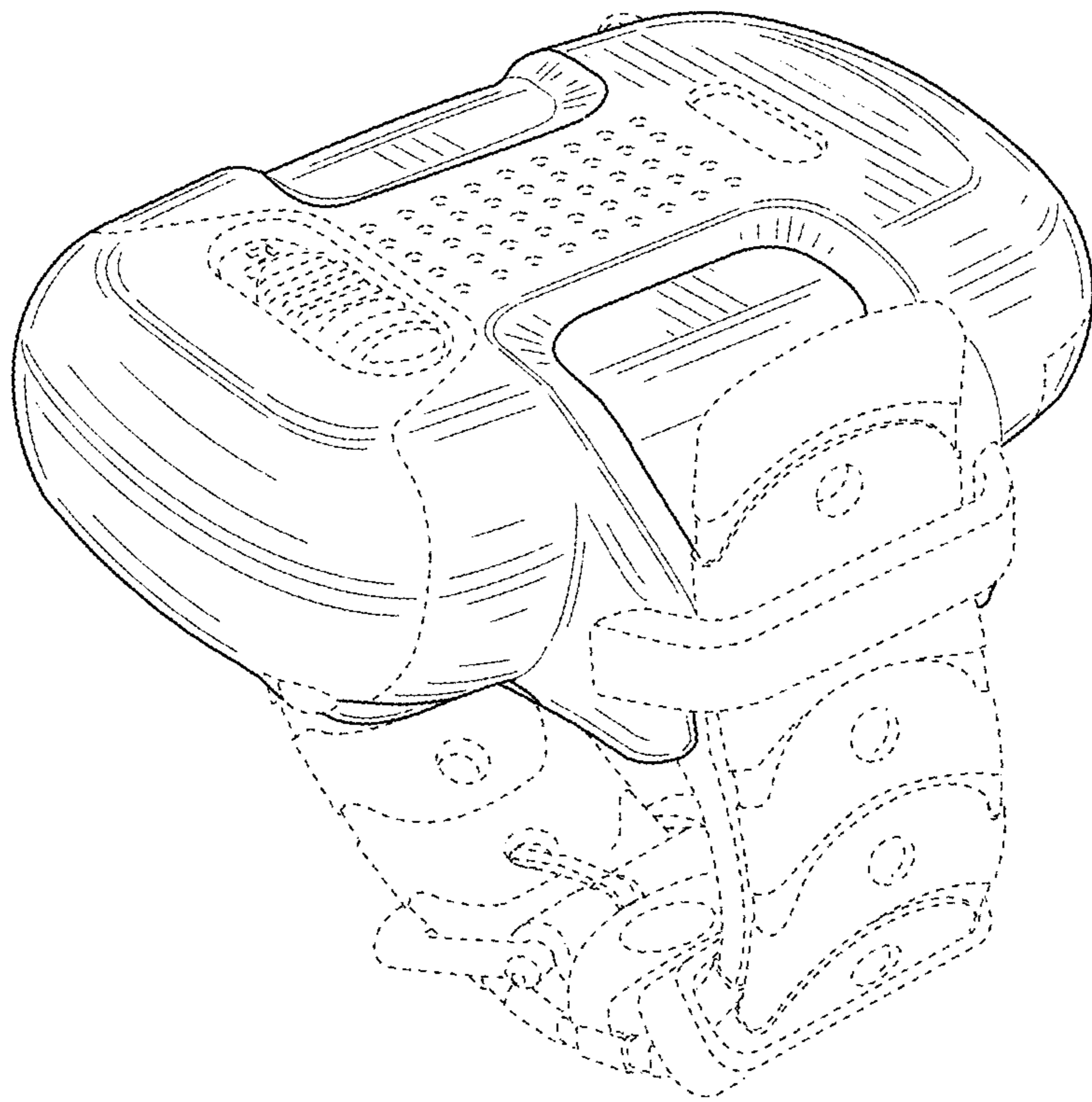


FIG. 1

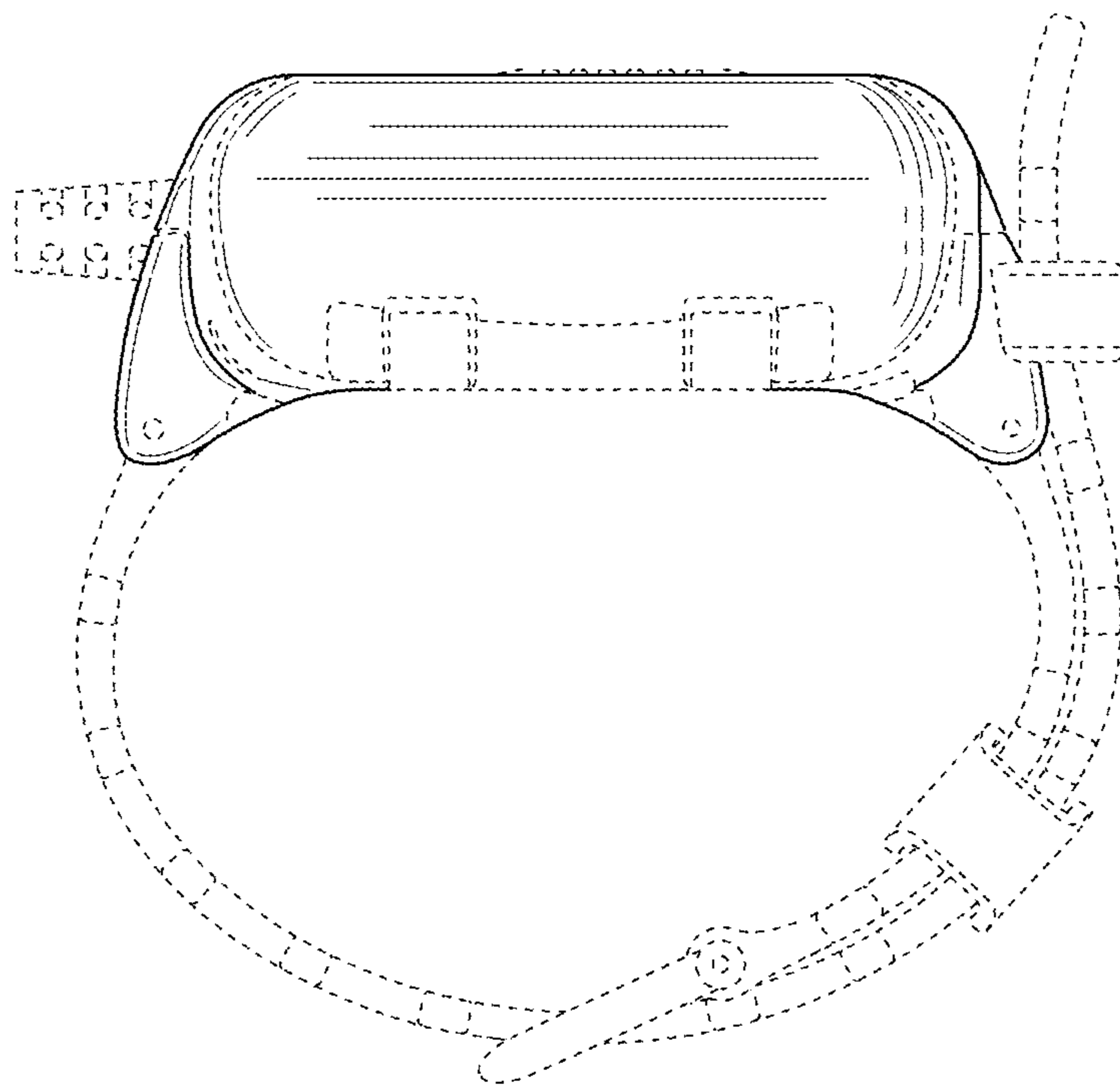


FIG. 2

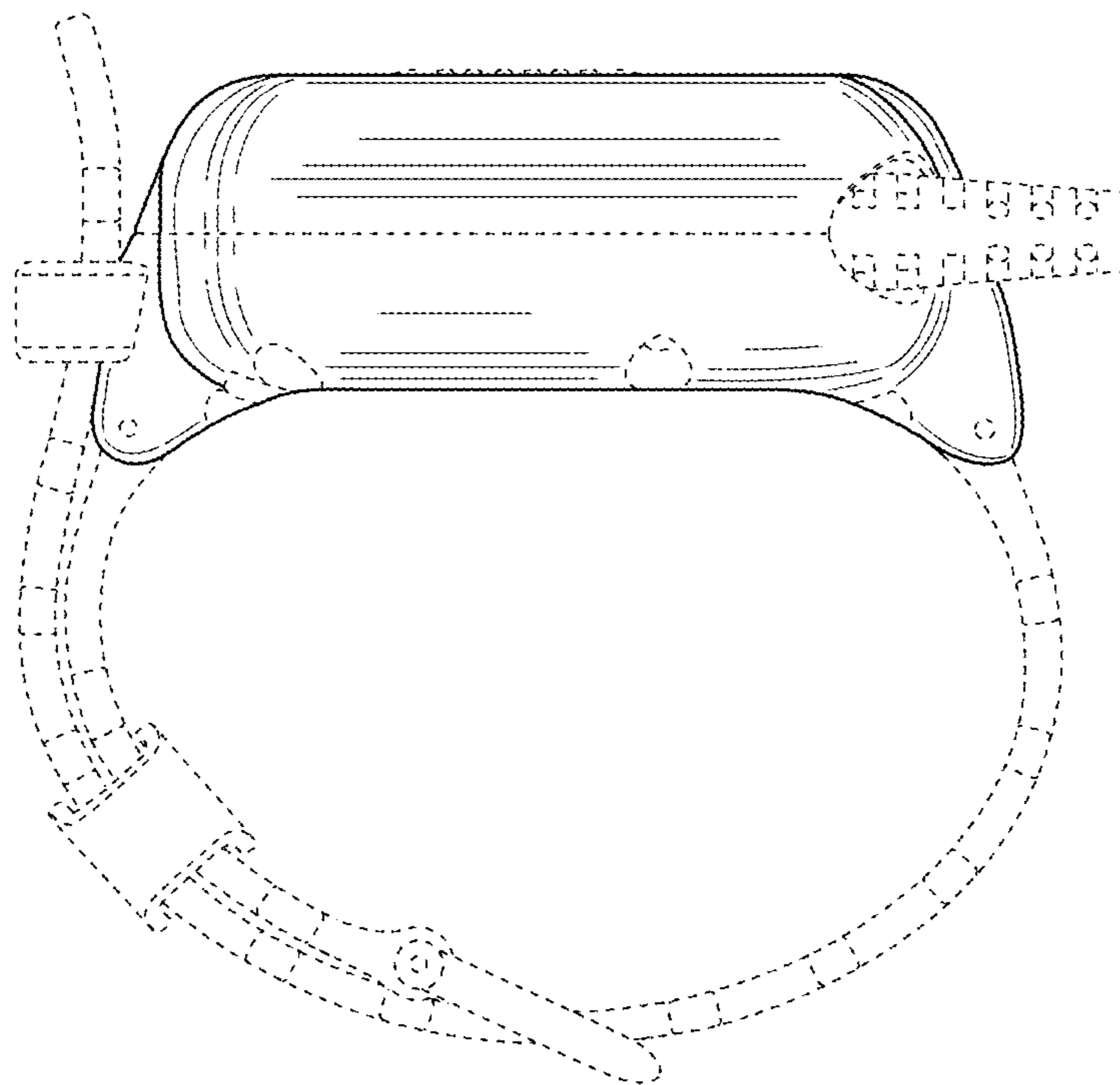


FIG. 3

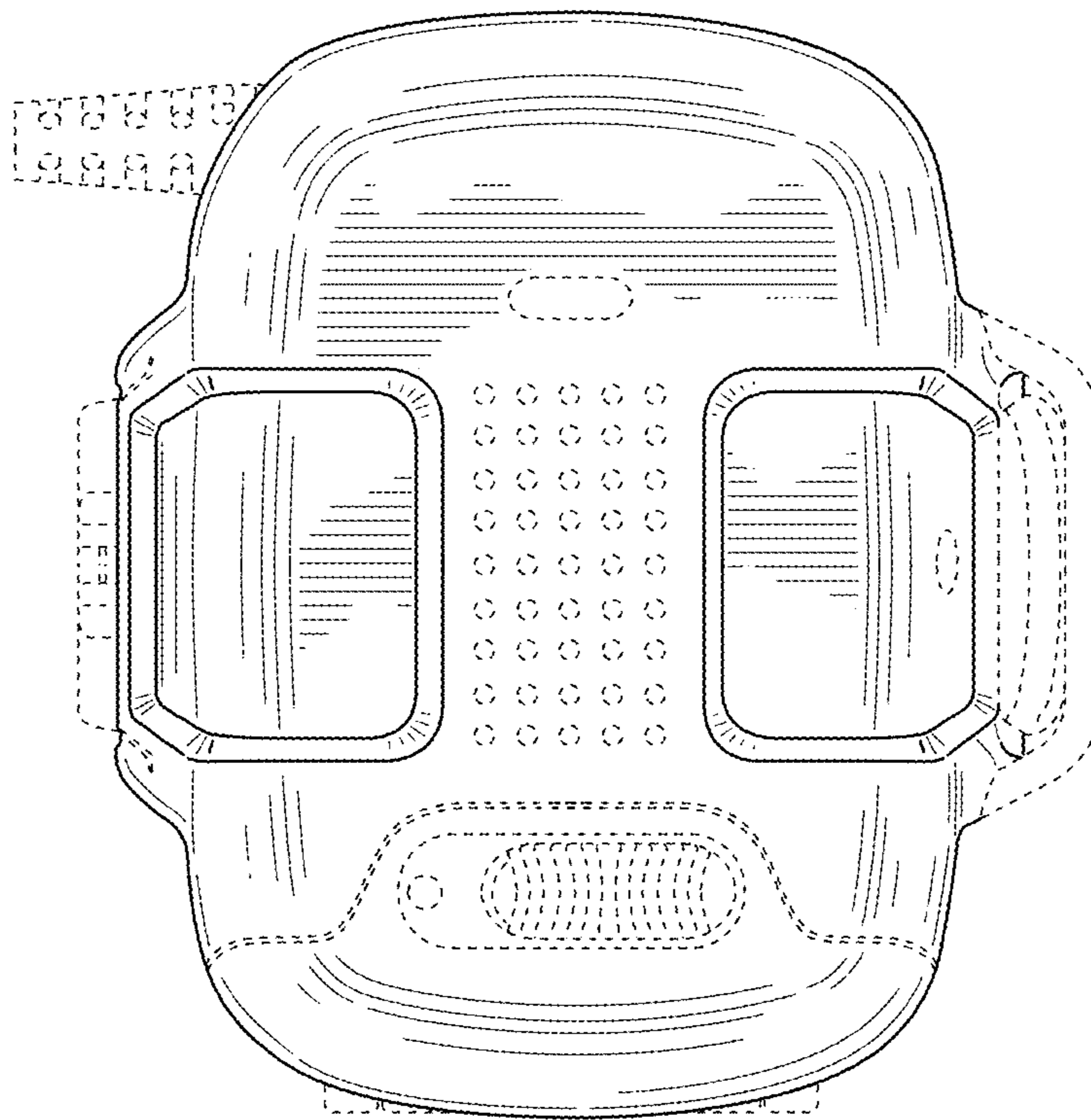


FIG. 4

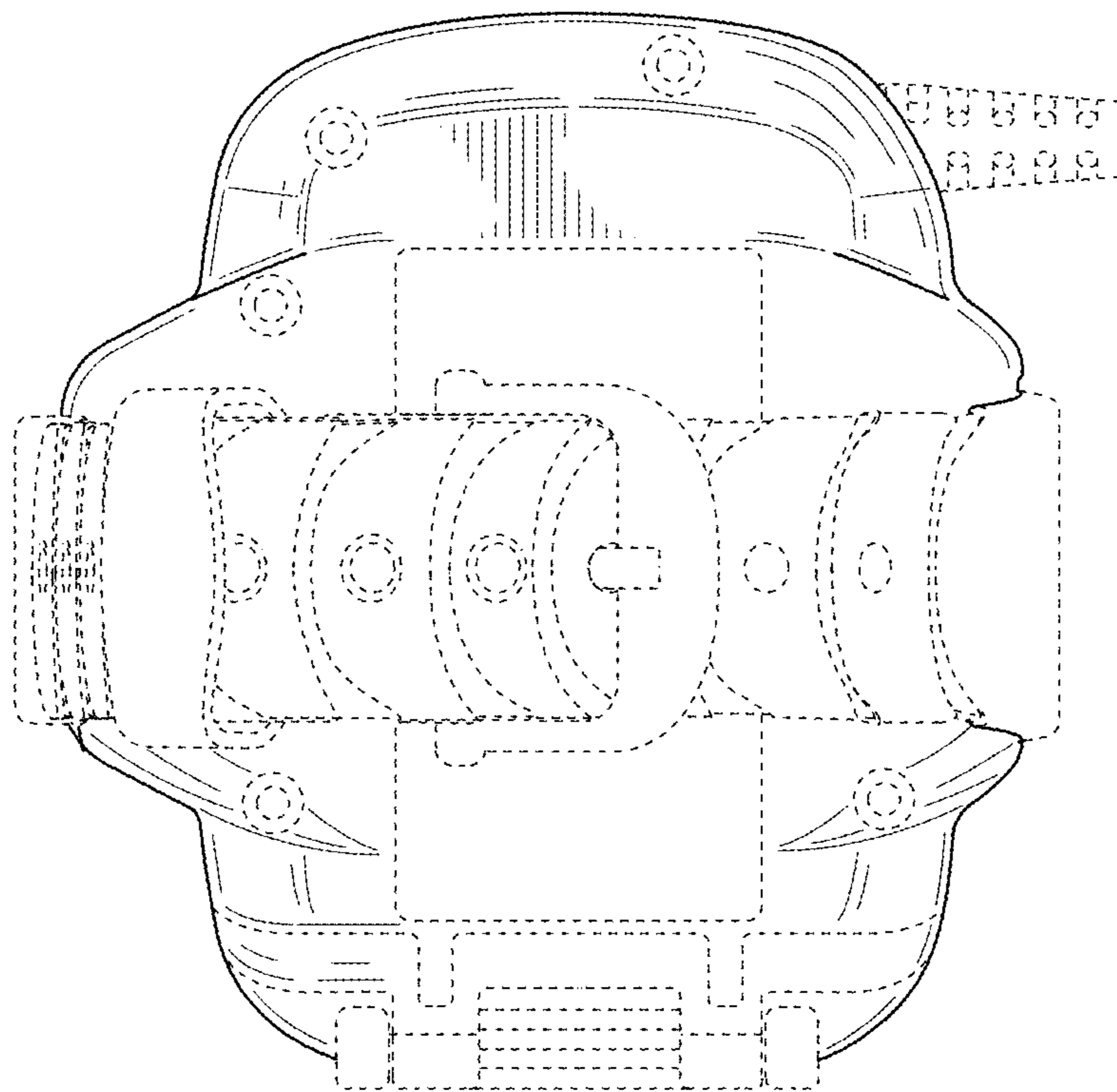


FIG. 5

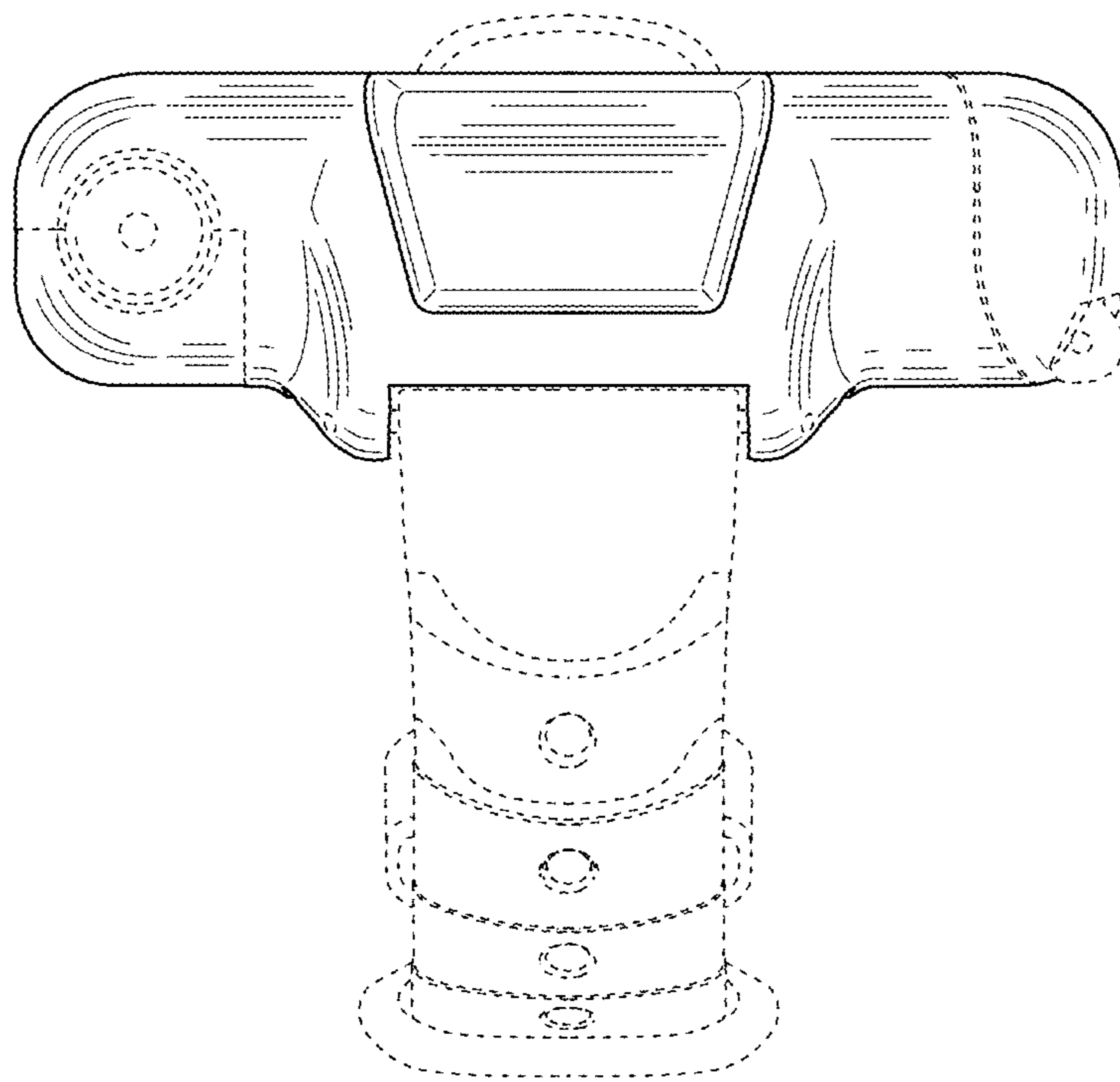


FIG. 6

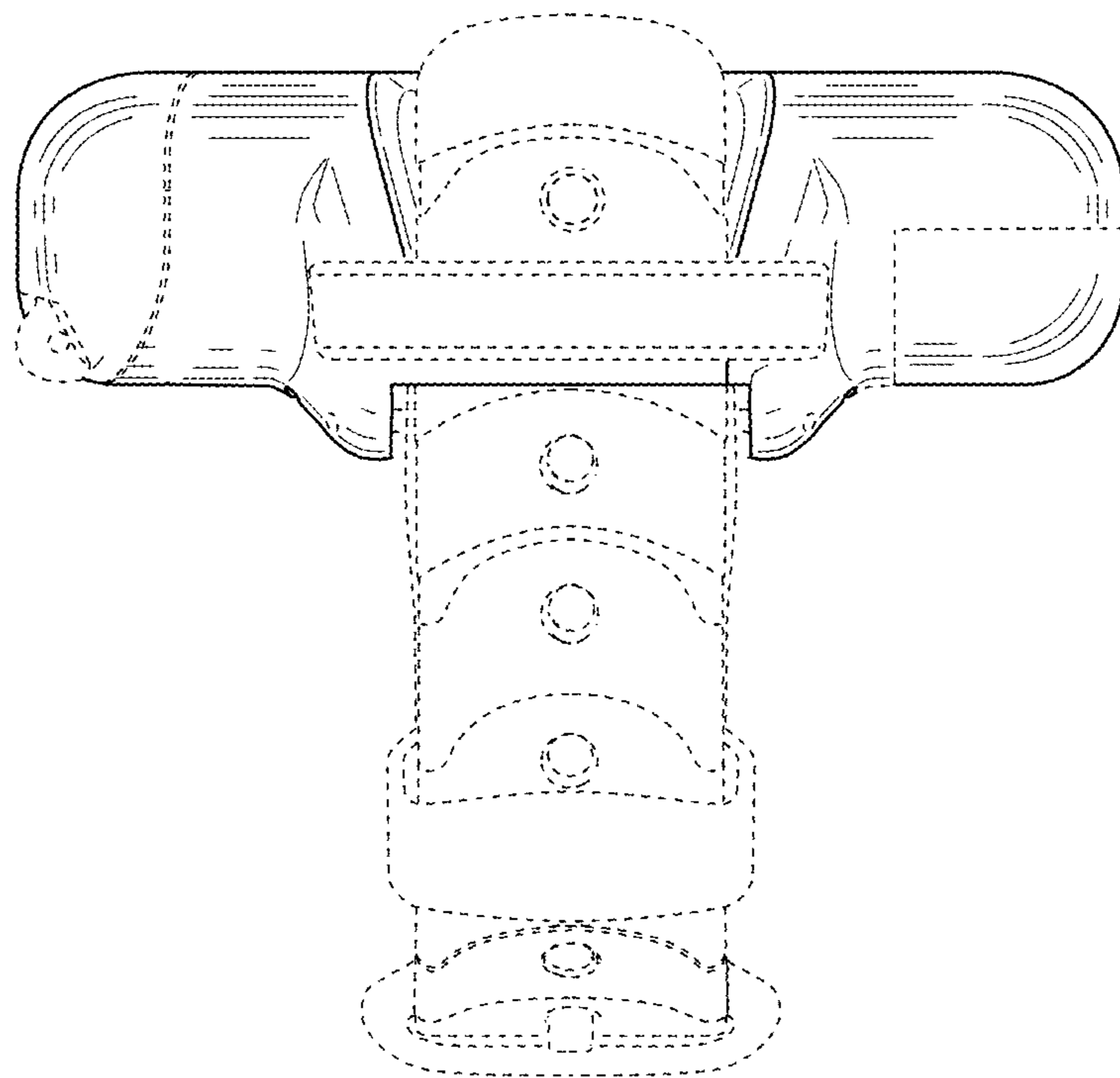


FIG. 7