



US00D823307S

(12) **United States Design Patent**  
**Zhang et al.**

(10) **Patent No.:** **US D823,307 S**  
(45) **Date of Patent:** **\*\* Jul. 17, 2018**

(54) **SCANNER**

(71) Applicant: **Hand Held Products, Inc.**, Fort Mill, SC (US)

(72) Inventors: **Pengfei Zhang**, Shanghai (CN); **Dezhi Yang**, Shanghai (CN)

(73) Assignee: **Hand Held Products, Inc.**, Fort Mill, SC (US)

(\*\*) Term: **15 Years**

(21) Appl. No.: **29/624,749**

(22) Filed: **Nov. 3, 2017**

**Related U.S. Application Data**

(63) Continuation of application No. 29/555,990, filed on Feb. 26, 2016, now Pat. No. Des. 802,593.

(30) **Foreign Application Priority Data**

Aug. 28, 2015 (CN) ..... 2015 3 0329152

(51) **LOC (11) Cl.** ..... **14-02**

(52) **U.S. Cl.**  
USPC ..... **D14/420**

(58) **Field of Classification Search**

USPC ..... D14/420, 426-430, 453; 235/462.01, 235/462.11, 462.43, 462.45, 462.49, 235/472.01, 385, 454, 435, 439-441, 375, 235/444, 456, 459, 462.14, 462.17, 462.2, 235/462.21, 490, 494, 476, 462.22, 235/462.32, 462.35; 382/313, 321, 318; 358/473; 250/215, 216, 566; D26/37-50, 24; 362/157, 158, 171-174, 362/183-208; 396/427; D24/158  
CPC ..... G06K 7/10584; G06K 7/10613; G06K 7/109; G06K 7/10693; G06K 7/10871; G06K 7/1096; G06K 7/10; G06K 7/10564; G06K 7/10594; G06K 7/10603; G06K 7/10663; G06K 7/10673; G06K 7/10702; G06K 7/10792; G06K 7/10633;

G06K 7/10653; G06K 7/10881; G06K 7/10891; G06K 7/14; G06K 7/1443; G06K 7/10801; G06K 7/10811; G06K 7/10851; G06K 7/10861; G06K 2207/1011; G06K 2207/1012; G06K 2207/1013; G06K 2207/1016; G06K 2207/1017; G06K 2207/1018; G06K 7/10534; G06K 17/0022; G06K 7/04; G06K 7/1404; G06K 7/1447; G06K 7/10623; G06K 7/10683; G06K 7/10821; A47F 9/046; A47F 9/047; G07G 1/0045; G04N 5/23238; G04N 5/2252;  
(Continued)

(56) **References Cited**

U.S. PATENT DOCUMENTS

D295,413 S \* 4/1988 Nakamura ..... D14/420  
D312,046 S \* 11/1990 Ruehlemann ..... D10/70  
(Continued)

*Primary Examiner* — Susan Moon Lee

(74) *Attorney, Agent, or Firm* — Additon, Higgins & Pendleton, P.A.

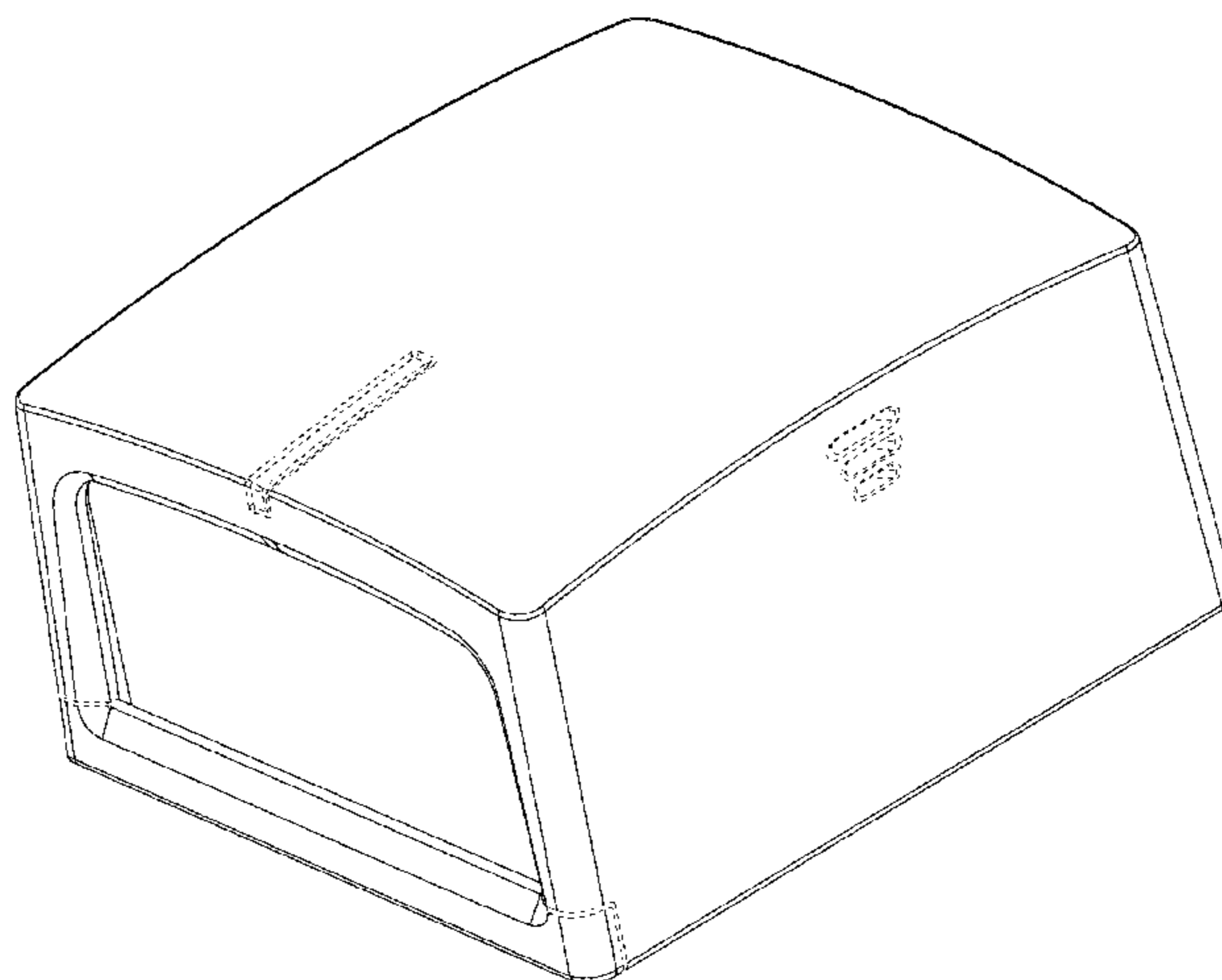
(57) **CLAIM**

The ornamental design for a scanner, as shown and described.

**DESCRIPTION**

FIG. 1 is a top plan view of a scanner in accordance with the present design;  
FIG. 2 is a bottom plan view thereof;  
FIG. 3 is a left side elevation view thereof;  
FIG. 4 is a right side elevation view thereof;  
FIG. 5 is a rear elevation view thereof;  
FIG. 6 is a front elevation view thereof; and,  
FIG. 7 is a front perspective view thereof.  
The broken lines depict unclaimed features of the scanner and form no part of the claimed design.

**1 Claim, 7 Drawing Sheets**



# US D823,307 S

Page 2

- (58) **Field of Classification Search**  
CPC ..... G04N 5/2251; G03B 17/02; B25H 5/00;  
B66F 7/28; G02B 26/10; G02B 26/106;  
G07F 11/002; G07F 11/02; G06Q 20/343;  
G06F 2203/0331

See application file for complete search history.

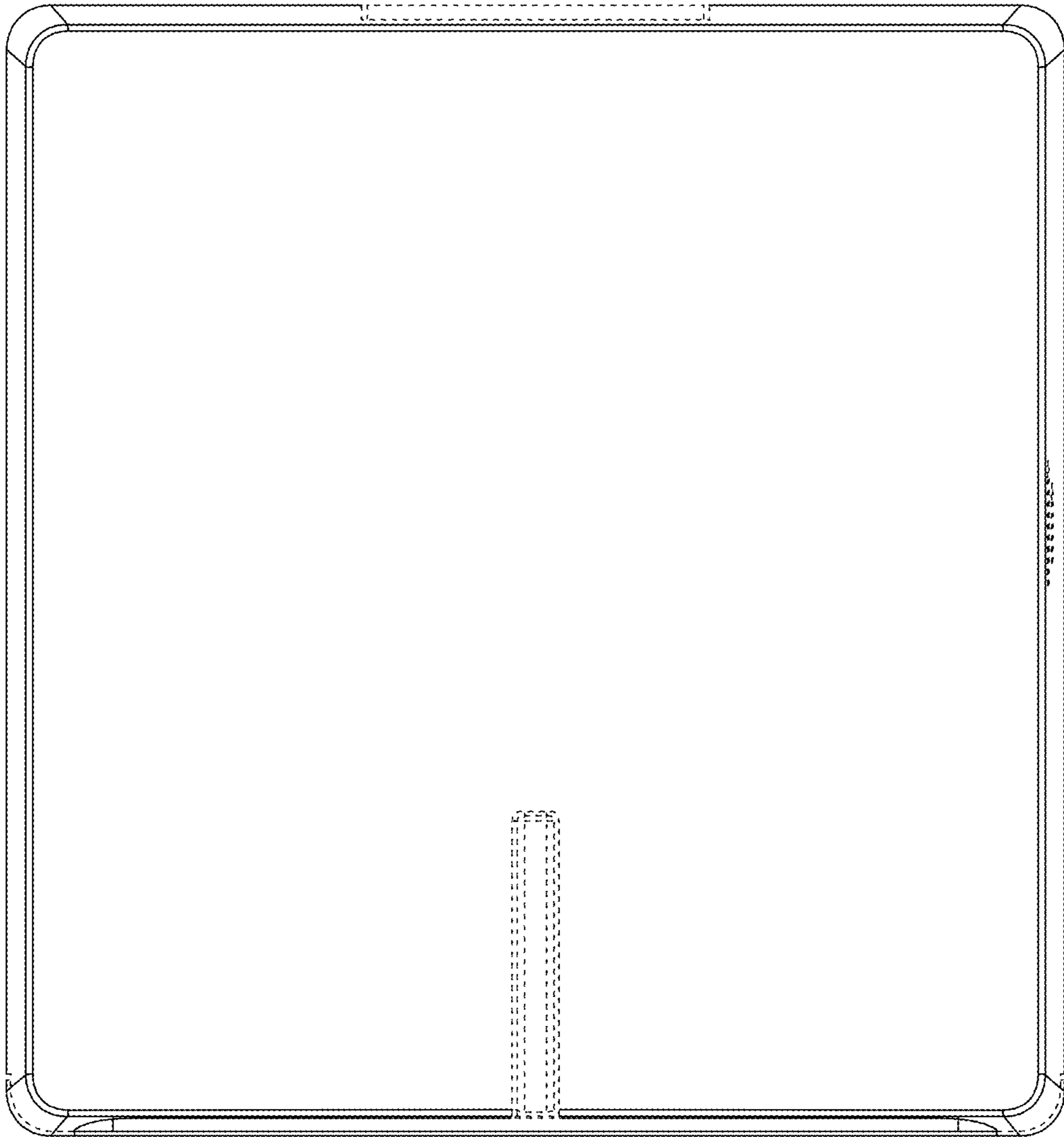
(56) **References Cited**

U.S. PATENT DOCUMENTS

D314,187 S \* 1/1991 Richards ..... D14/381  
D335,662 S \* 5/1993 Shepard ..... D14/427  
D342,245 S \* 12/1993 Krichever ..... D14/427  
5,505,199 A \* 4/1996 Kim ..... A61B 5/11  
348/143  
5,548,106 A \* 8/1996 Liang ..... G06K 7/10851  
235/454  
5,550,366 A \* 8/1996 Roustaei ..... G06K 7/10891  
235/455  
5,610,386 A \* 3/1997 Ball ..... G06K 7/10891  
235/412  
D391,250 S \* 2/1998 Swift ..... D14/427  
5,808,289 A \* 9/1998 Becker ..... G06K 7/10891  
235/462.01  
D406,827 S \* 3/1999 Huang ..... D21/333  
RE37,017 E \* 1/2001 Stanzani ..... G06K 7/10574  
235/440  
6,195,053 B1 \* 2/2001 Kodukula ..... G06K 7/0004  
235/462.47  
D442,963 S \* 5/2001 Salazar ..... D14/420  
D444,811 S \* 7/2001 Yamamoto ..... D18/50  
6,318,635 B1 \* 11/2001 Stoner ..... G06K 7/10722  
235/462.32  
D453,514 S \* 2/2002 Elam ..... D14/420  
D454,873 S \* 3/2002 Clark ..... D14/358  
6,634,558 B1 \* 10/2003 Patel ..... G06K 7/10891  
235/462.01  
D529,950 S \* 10/2006 Katayama ..... D18/50  
7,195,162 B2 \* 3/2007 Mazzone ..... G06K 7/10881  
235/454  
D585,066 S \* 1/2009 Morris ..... D14/427  
D612,514 S \* 3/2010 Johnston ..... D24/232  
D624,915 S \* 10/2010 Ferreira Sanchez ..... D14/385  
D635,872 S \* 4/2011 Au Yeung ..... D10/70  
D645,045 S \* 9/2011 Cacioppo ..... D14/218

D656,124 S \* 3/2012 Smith ..... D14/204  
8,235,294 B2 \* 8/2012 Miller ..... G06K 7/0004  
235/472.02  
8,998,091 B2 \* 4/2015 Edmonds ..... G06K 7/10554  
235/454  
D736,716 S \* 8/2015 Hough ..... D13/107  
D740,827 S \* 10/2015 Sun ..... D14/427  
D741,861 S \* 10/2015 Haidar ..... D14/383  
D743,397 S \* 11/2015 Ciabattoni ..... D14/420  
D755,181 S \* 5/2016 Mistkawi ..... D14/420  
D781,735 S \* 3/2017 Diehl ..... D10/103  
D784,970 S \* 4/2017 MacManus ..... D14/240  
D788,776 S \* 6/2017 Marzette, Jr. .... D14/358  
D789,361 S \* 6/2017 Ali ..... D14/358  
D791,767 S \* 7/2017 Ali ..... D14/358  
D798,296 S \* 9/2017 Ali ..... D14/358  
D800,120 S \* 10/2017 Ciabattoni ..... D14/420  
D802,593 S \* 11/2017 Zhang ..... D14/420  
D805,934 S \* 12/2017 Yokino ..... D10/81  
D808,391 S \* 1/2018 Schooneveldt ..... D14/426  
2004/0149829 A1 \* 8/2004 Boucher ..... A47F 9/046  
235/462.43  
2007/0125864 A1 \* 6/2007 Hayakawa ..... G06K 7/10623  
235/462.43  
2008/0058964 A1 \* 3/2008 Nickerson ..... A01G 25/16  
700/19  
2008/0078838 A1 \* 4/2008 Morris ..... G06K 7/10881  
235/462.44  
2008/0245982 A1 \* 10/2008 Vonmetz ..... G06K 7/10613  
250/566  
2010/0133344 A1 \* 6/2010 Yamanouchi ..... G06K 7/10702  
235/462.43  
2010/0277330 A1 \* 11/2010 Gentilini ..... G06K 7/10881  
340/679  
2012/0062963 A1 \* 3/2012 Gillham ..... B63C 11/48  
358/474  
2013/0038985 A1 \* 2/2013 Powell ..... G06K 7/109  
361/679.01  
2013/0341495 A1 \* 12/2013 Fabbri ..... G01S 7/493  
250/214.1  
2015/0371071 A1 \* 12/2015 Ciabattoni ..... G06K 9/20  
235/454  
2016/0063293 A1 \* 3/2016 Sun ..... G06K 7/10891  
235/462.44

\* cited by examiner



**FIG. 1**

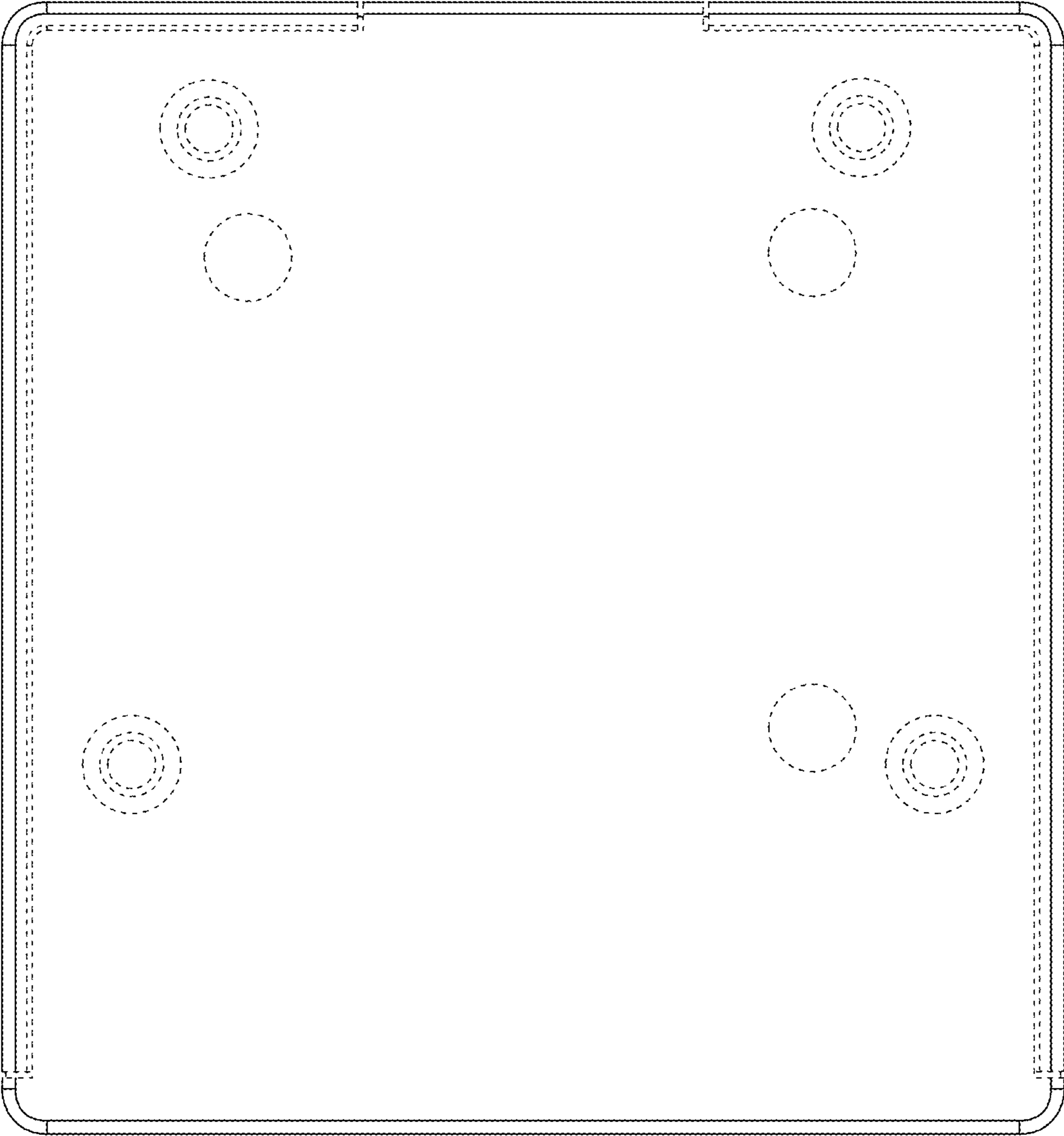
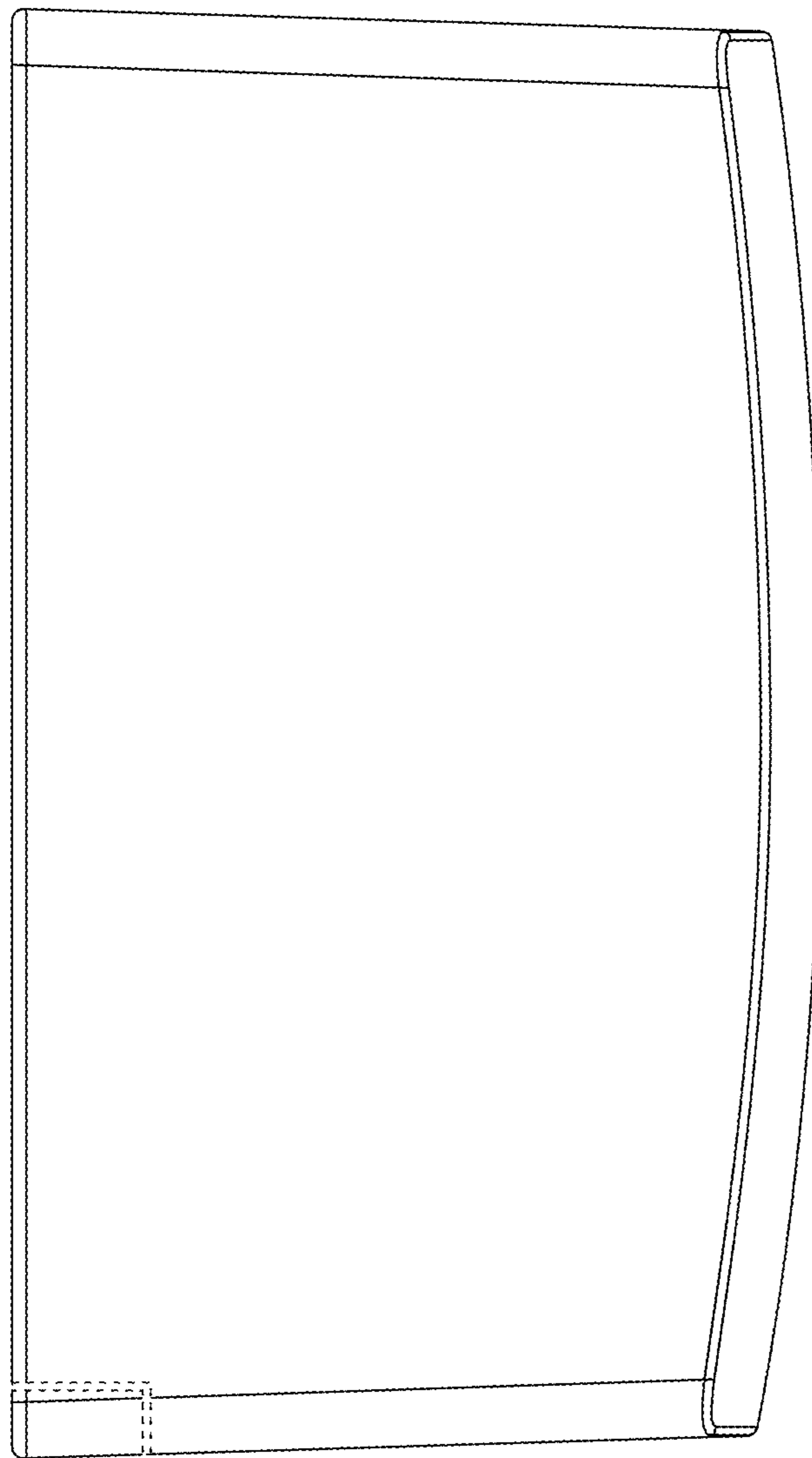


FIG. 2



**FIG. 3**

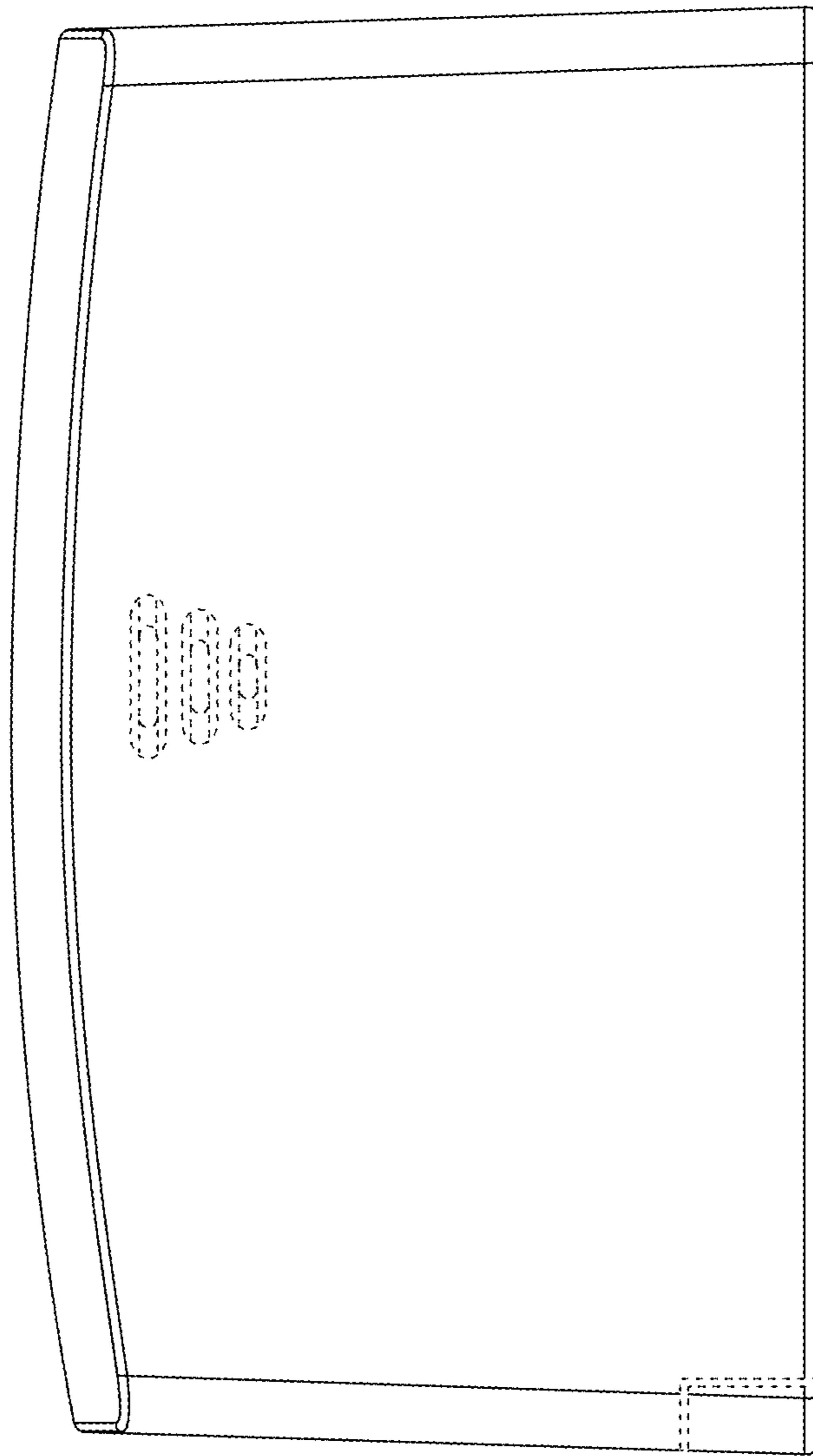
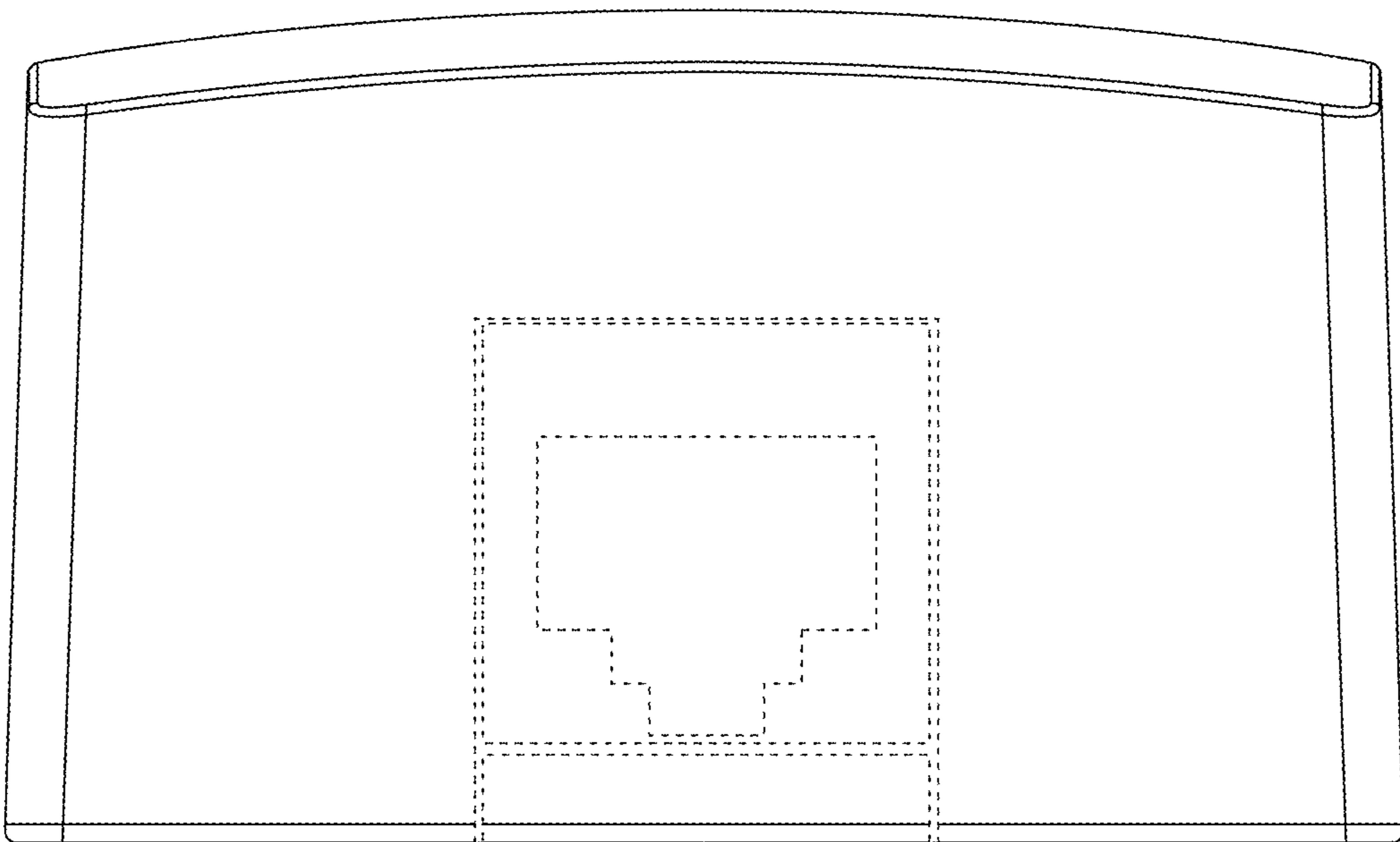
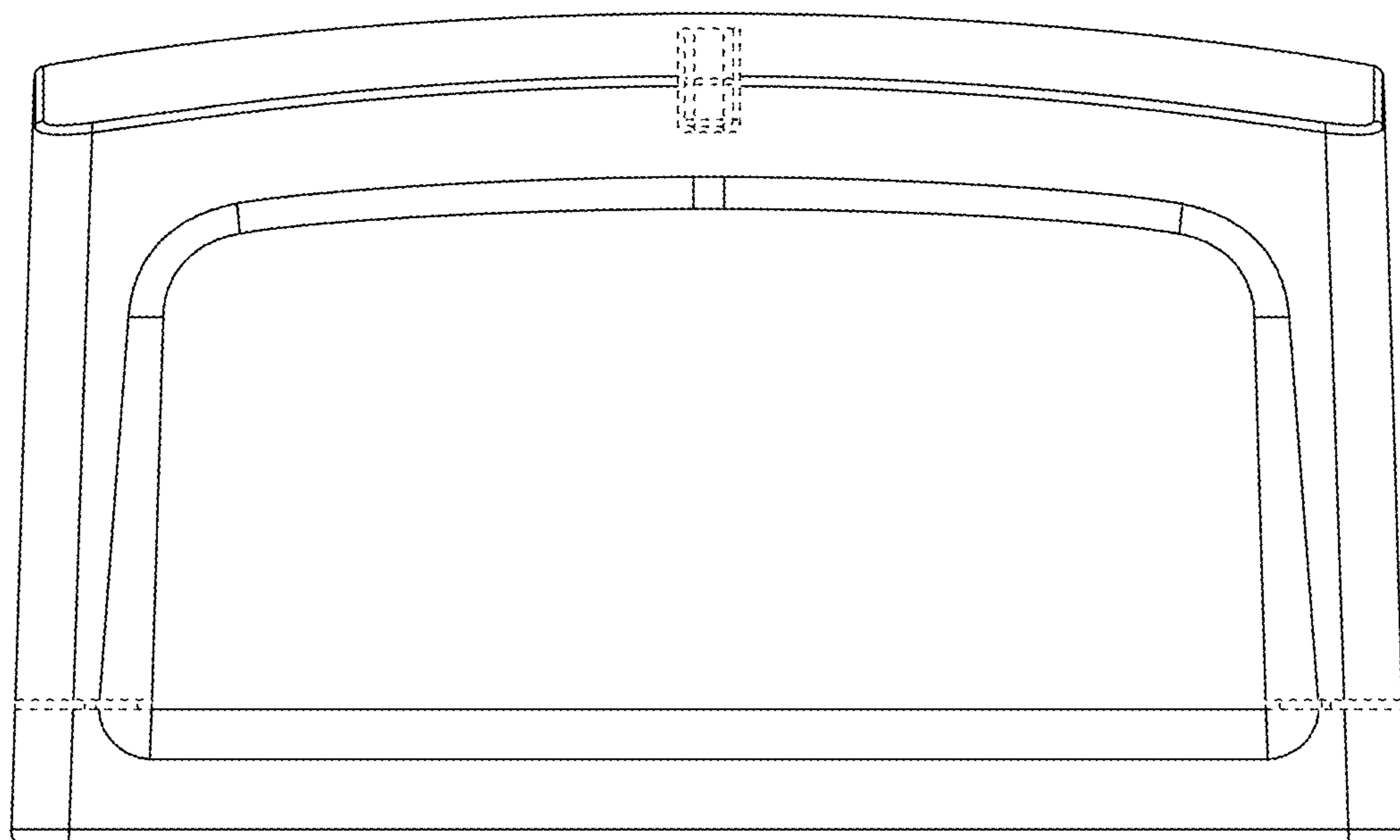


FIG. 4

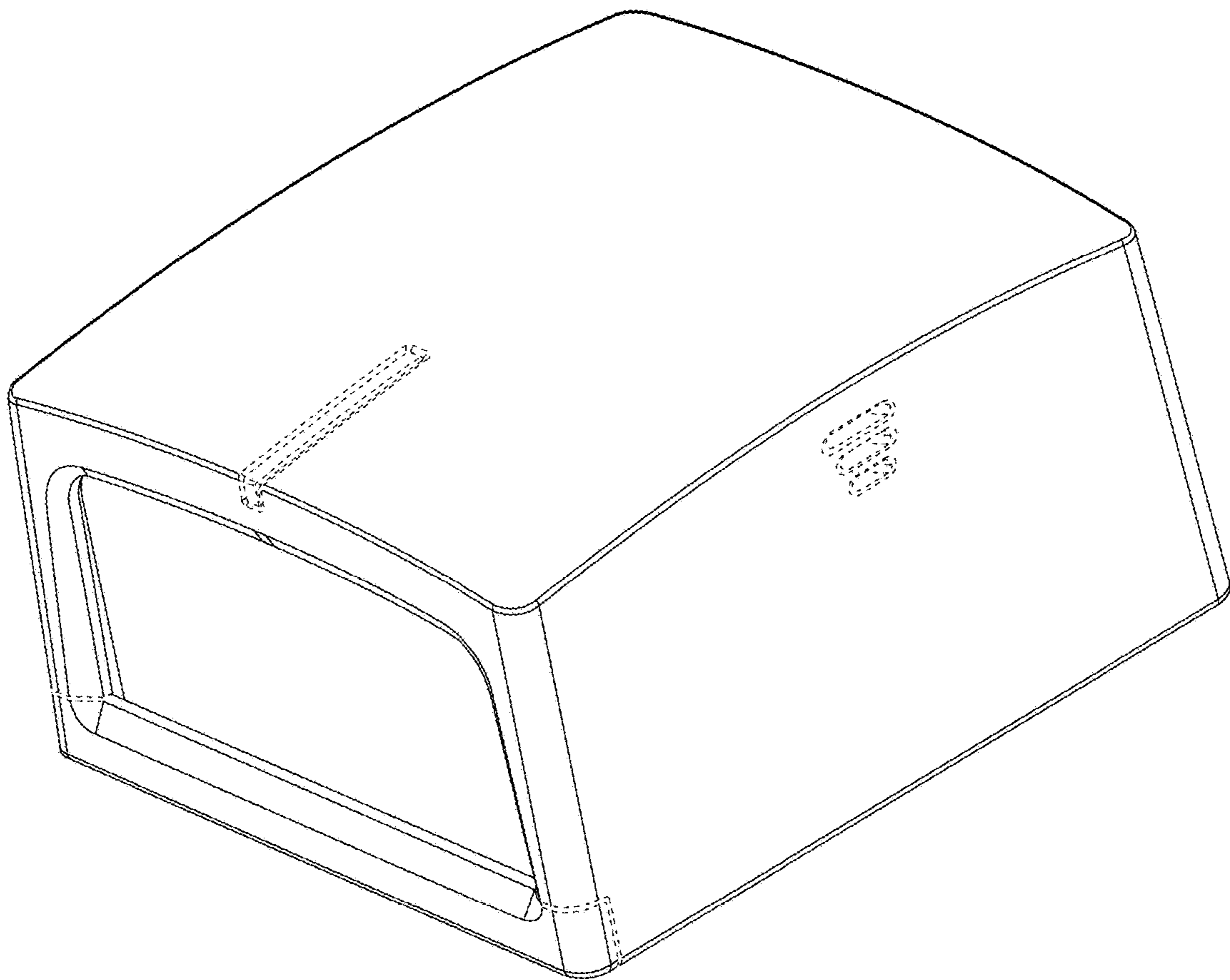


**FIG. 5**



**FIG. 6**





**FIG. 7**