



US00D823306S

(12) **United States Design Patent**
Riegl

(10) **Patent No.:** **US D823,306 S**
(45) **Date of Patent:** **** Jul. 17, 2018**

(54) **LASER SCANNER**

G01S 17/89; G01S 17/08; G01S 17/10;
G01S 7/4817; G01S 7/497

(71) Applicant: **RIEGL Laser Measurement Systems GmbH, Horn (AT)**

See application file for complete search history.

(72) Inventor: **Johannes Riegl, Trabenreith (AT)**

(56) **References Cited**

(73) Assignee: **RIEGL LASER MEASUREMENT SYSTEMS GMBH, Horn (AT)**

U.S. PATENT DOCUMENTS

(**) Term: **15 Years**

(21) Appl. No.: **29/592,332**

4,625,317 A * 11/1986 Kolb H01S 3/041
372/107
4,727,554 A * 2/1988 Watanabe H01L 23/34
257/467
D295,852 S * 5/1988 Naps D14/420
4,879,721 A * 11/1989 Braski H01S 3/0315
372/108
5,029,173 A * 7/1991 Seguin H01S 3/0315
372/23
5,065,405 A * 11/1991 Laakmann H01S 3/03
372/82

(22) Filed: **Jan. 30, 2017**

(30) **Foreign Application Priority Data**

(Continued)

Dec. 1, 2016 (EM) 003494772

(51) **LOC (11) Cl.** **14-02**

Primary Examiner — Susan Moon Lee

(52) **U.S. Cl.**
USPC **D14/420**

(74) *Attorney, Agent, or Firm* — Hoffmann & Baron, LLP

(58) **Field of Classification Search**
USPC D14/420, 426–430, 453, 346, 341, 347,
D14/412; D13/107, 184; 358/473, 511,
358/474, 475, 505; 235/462.43, 462.45,
235/462.47, 462.48, 462.44, 462.46, 487,
235/472.01, 472.02; 16/110.1, 430, 431;
439/133, 135; 709/219, 201; 710/73;
320/114, 115, 123; 361/679; 382/313,
382/321; 455/575.1, 561, 572; D10/66,
D10/69, 70; D16/225, 234;
356/601–623, 5.09; 359/346, 348;
372/34, 36, 83, 35, 87, 64, 57, 62, 55, 68,
372/108, 95, 97
CPC H01S 3/0315; H01S 3/0975; H01S 3/041;
H01S 3/038; H01S 3/2232; H01S 3/0305;
H01S 3/08081; H01S 3/08095; H01S
3/2383; G01B 11/026; G01B 11/002;
G01B 11/2518; G02B 26/10; G01C
15/00–15/14; G01S 17/023; G01S 17/42;

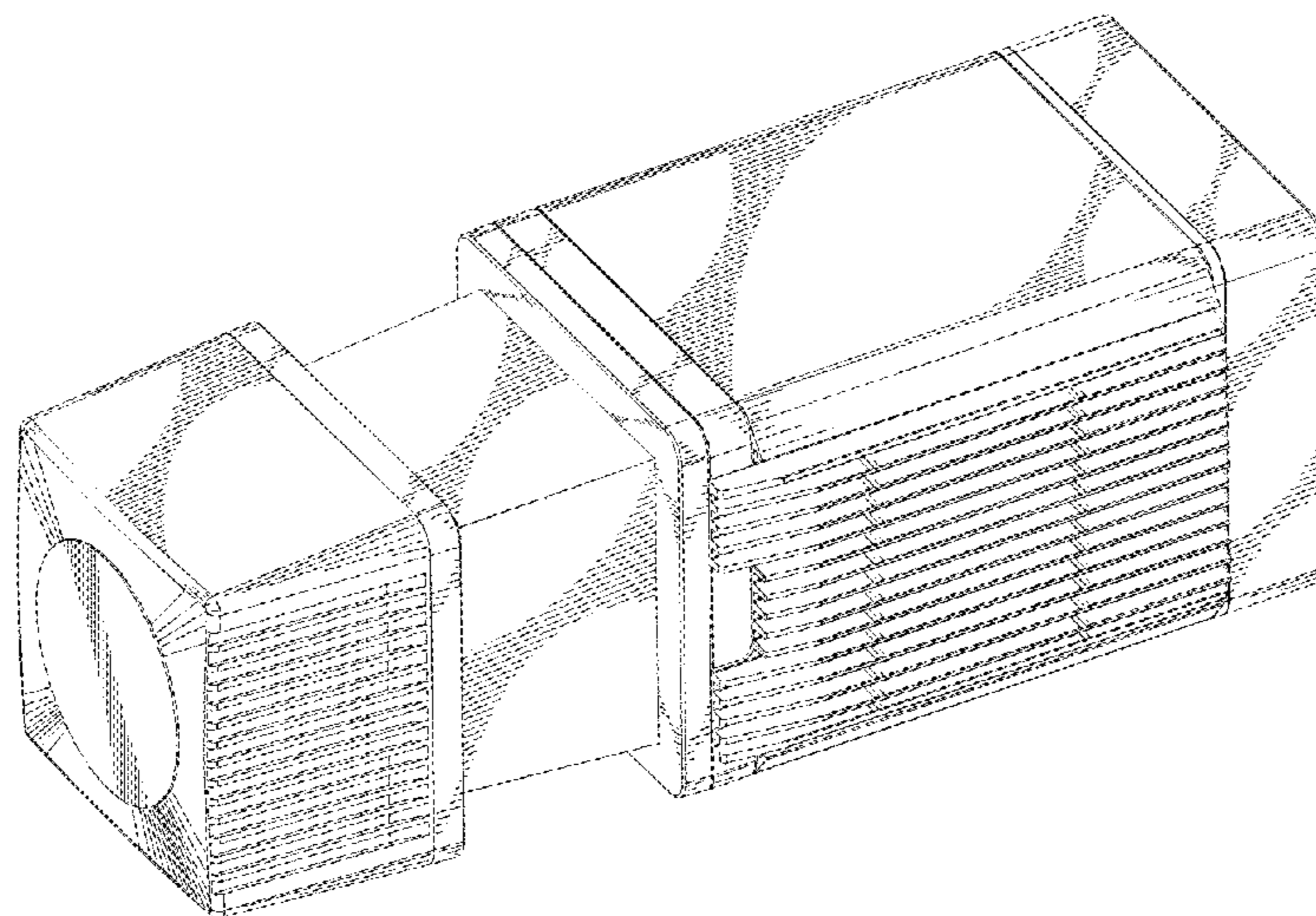
(57) **CLAIM**

The ornamental design for a laser scanner, as shown and described.

DESCRIPTION

FIG. 1 is a perspective view of a laser scanner constructed in accordance with the invention;
FIG. 2 is a front view of the laser scanner shown in FIG. 1;
FIG. 3 is a rear view of the laser scanner shown in FIG. 1;
FIG. 4 is a left side elevational view of the laser scanner as shown in FIG. 1;
FIG. 5 is a right side elevational view of the laser scanner shown in FIG. 1;
FIG. 6 is a top elevational view of the laser scanner shown in FIG. 1; and,
FIG. 7 is a bottom elevational view of the laser scanner shown in FIG. 1.

1 Claim, 7 Drawing Sheets



(56)

References Cited

U.S. PATENT DOCUMENTS

5,151,916	A *	9/1992	Iehisa	H01S 3/0975	9,513,107	B2 *	12/2016	Zweigle	G05D 1/0044
					372/55	9,551,575	B2 *	1/2017	Bridges	G01S 17/42
5,153,892	A *	10/1992	Kawakubo	H01S 3/038	9,573,223	B2 *	2/2017	Armbruster	B23K 26/0084
					372/56	9,573,227	B2 *	2/2017	Armbruster	B23K 26/0084
D335,491	S *	5/1993	Rolicki	D14/420	9,577,399	B2 *	2/2017	Armbruster	B23K 26/0084
5,251,223	A *	10/1993	Hiroshima	H01S 3/0323	9,595,801	B2 *	3/2017	Armbruster	B23K 26/0084
					372/34	9,614,342	B2 *	4/2017	Mueller	H01S 3/2232
5,353,293	A *	10/1994	Shull	H01S 3/032	9,664,898	B2 *	5/2017	Armbruster	G02B 26/10
					372/34	2004/0179570	A1 *	9/2004	Vitruk	H01S 3/0315
5,386,431	A *	1/1995	Tulip	H01S 3/0315						372/55
					359/346	2005/0123011	A1 *	6/2005	Sukhman	H01S 3/041
D361,564	S *	8/1995	Inaba	D14/426						372/34
5,550,853	A *	8/1996	Ostler	H01S 3/03	2005/0141052	A1 *	6/2005	Becker	G02B 26/10
					372/34						358/475
D405,075	S *	2/1999	Ahearn	D14/426	2006/0245717	A1 *	11/2006	Ossig	G01C 15/002
5,867,517	A *	2/1999	Sukhman	H01S 3/036						385/147
					372/58	2009/0091739	A1 *	4/2009	Kim	G01B 11/026
5,867,518	A *	2/1999	Filgas	H01S 3/07						356/5.09
					372/69	2012/0140244	A1 *	6/2012	Gittinger	G01S 7/481
5,881,087	A *	3/1999	Sukhman	H01S 3/0315						356/612
					372/61	2013/0010307	A1 *	1/2013	Greiner	G01C 15/002
5,901,167	A *	5/1999	Sukhman	H01S 3/041						356/601
					372/34	2013/0094024	A1 *	4/2013	Ruhland	G01S 7/4813
6,131,299	A *	10/2000	Raab	G01B 21/04						356/402
					33/503	2013/0201487	A1 *	8/2013	Ossig	G01C 15/002
6,161,758	A *	12/2000	Collins, Jr.	G01G 19/4144						356/601
					177/25.14	2014/0063489	A1 *	3/2014	Steffey	G01S 17/023
D464,969	S *	10/2002	Byun	D14/420						356/72
6,711,201	B2 *	3/2004	Vitruk	H01S 3/0315	2014/0078519	A1 *	3/2014	Steffey	G01S 7/4817
					372/64						356/625
D493,807	S *	8/2004	Raab	D15/199	2014/0300906	A1 *	10/2014	Becker	G01B 11/005
6,826,214	B2 *	11/2004	Nomoto	H01L 23/467						356/614
					257/E23.099	2015/0029516	A1 *	1/2015	Neundorf	G01C 15/002
D512,426	S *	12/2005	Baum	D14/421						356/614
7,415,051	B1 *	8/2008	Risser	H01S 3/041	2015/0085068	A1 *	3/2015	Becker	G06T 3/0087
					372/34						348/39
8,384,914	B2 *	2/2013	Becker	G01C 15/002	2015/0085301	A1 *	3/2015	Becker	G01B 11/26
					356/141.5						356/608
D738,235	S *	9/2015	Riegl	D10/66	2015/0160347	A1 *	6/2015	Zweigle	G09B 29/004
9,163,936	B1 *	10/2015	Ulmer	G01B 11/2513						356/5.01
						2018/0095164	A1 *	4/2018	Dunne	G01S 7/484

* cited by examiner

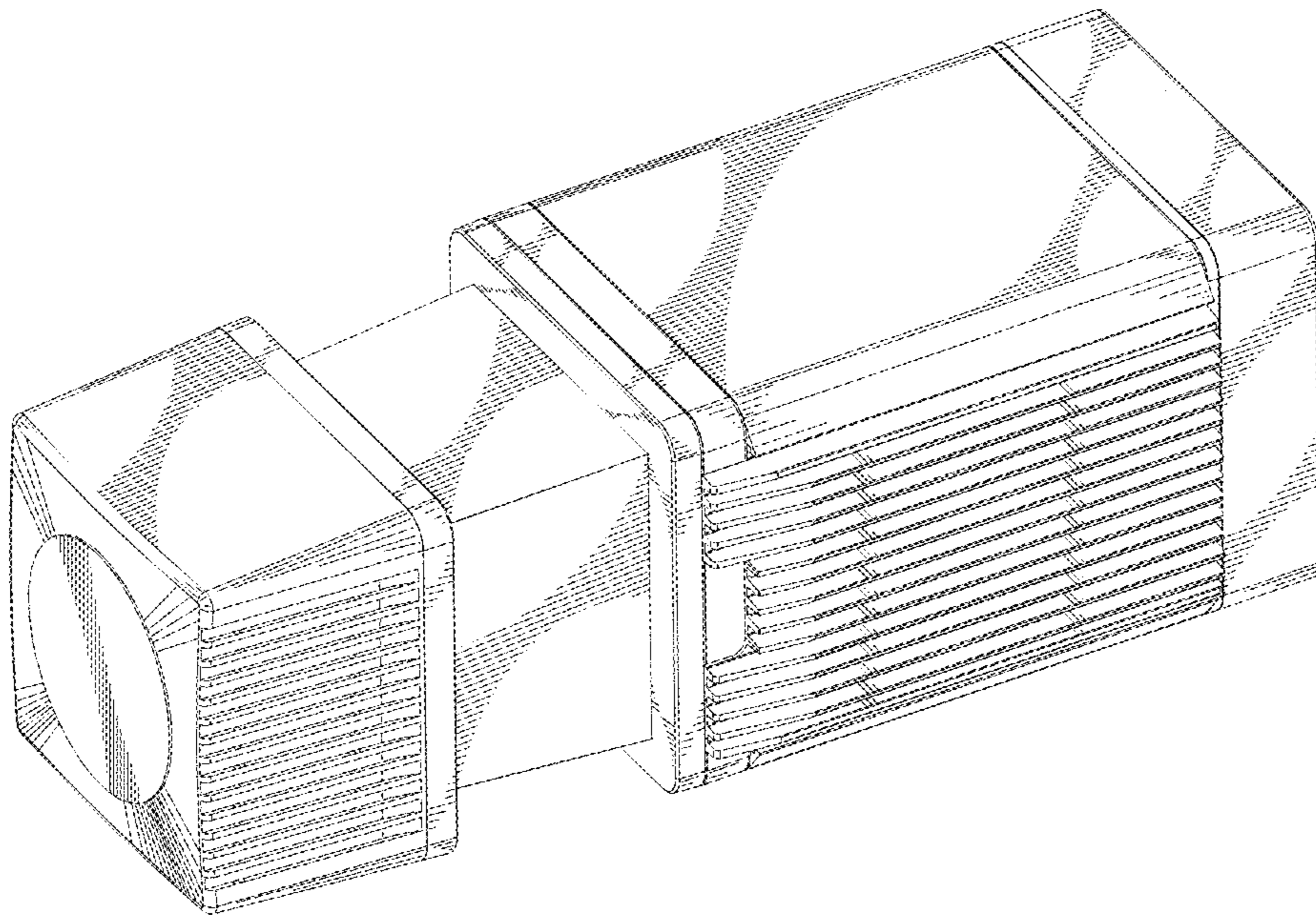


FIG. 1

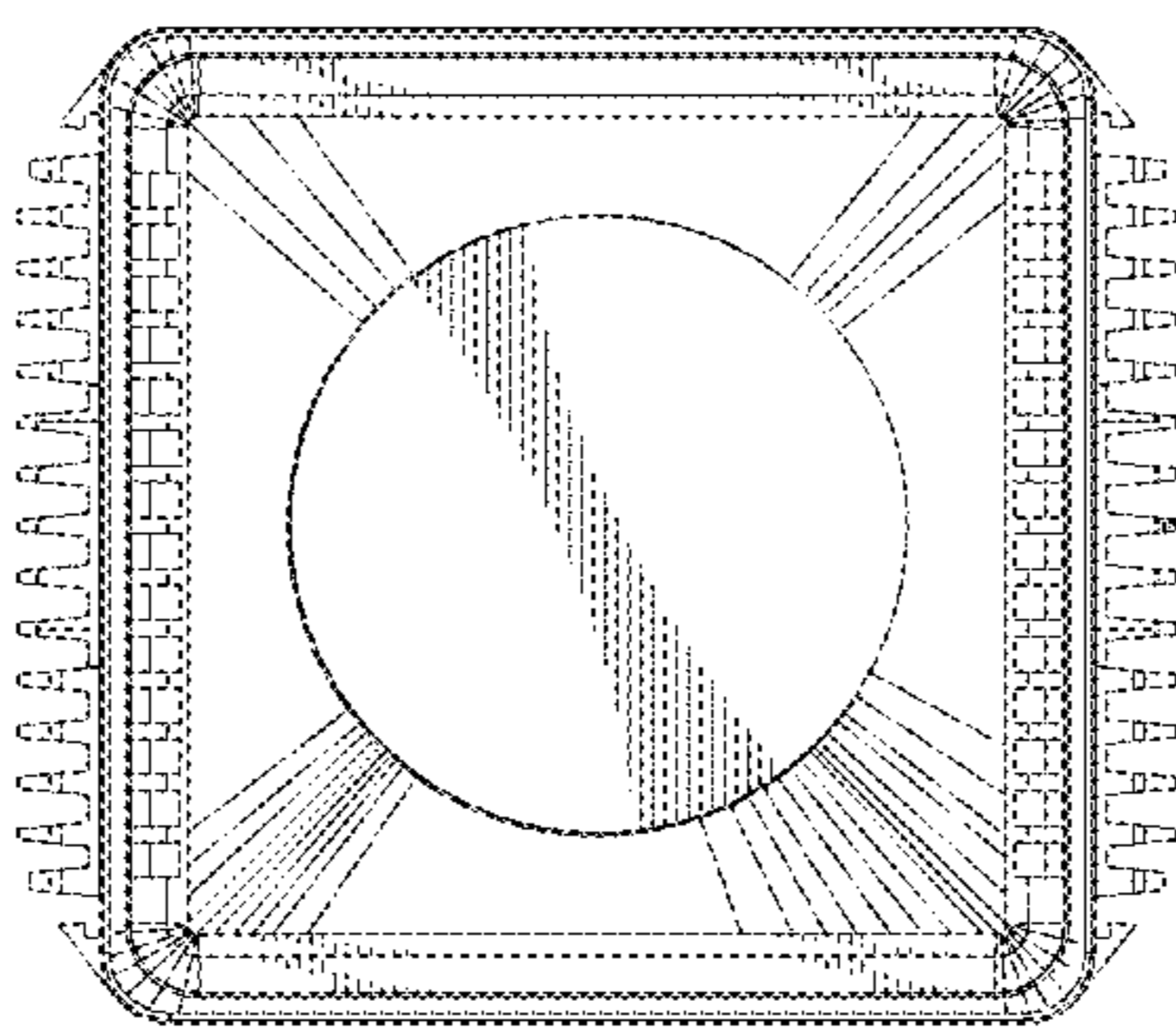


FIG. 2

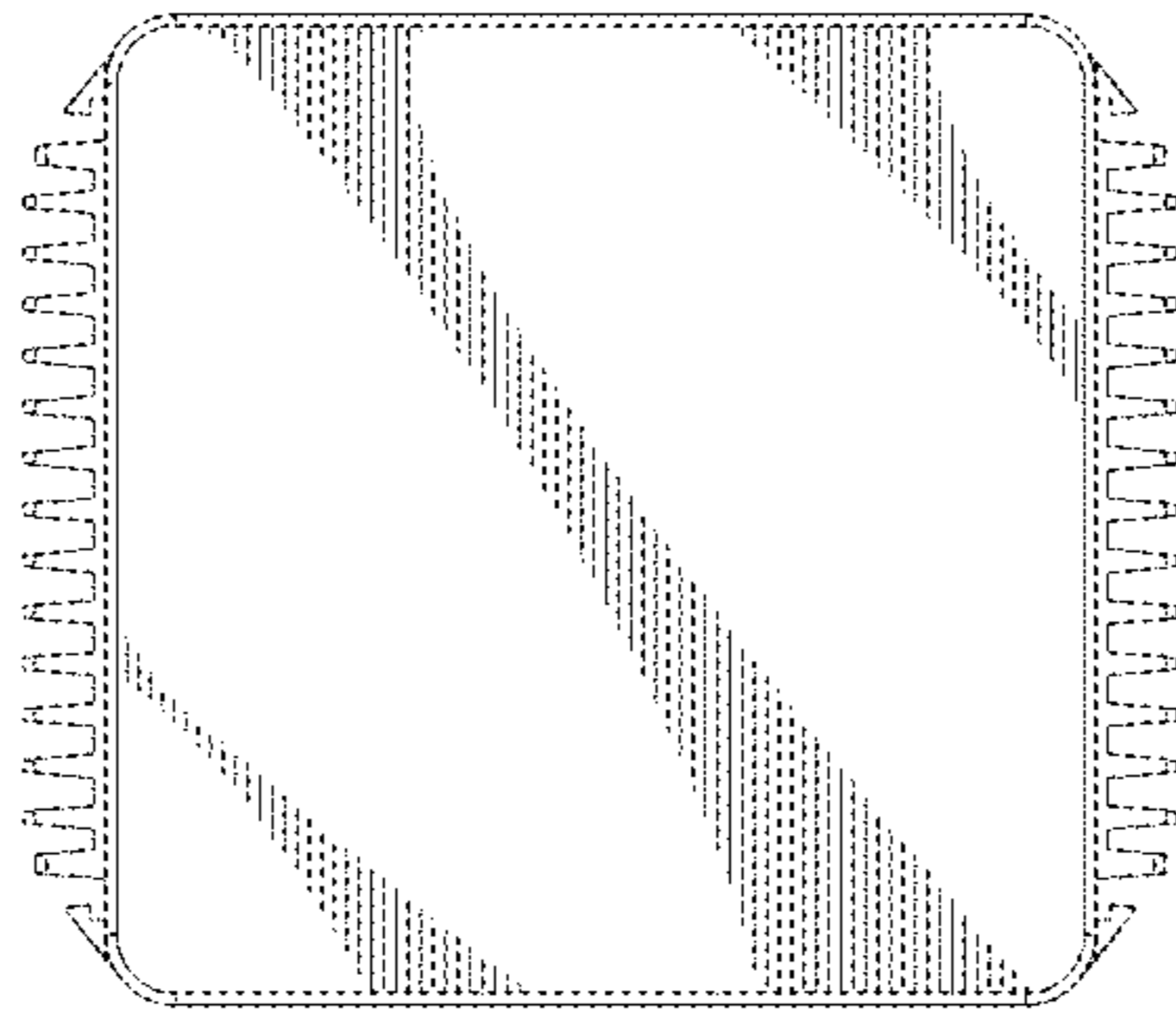


FIG. 3

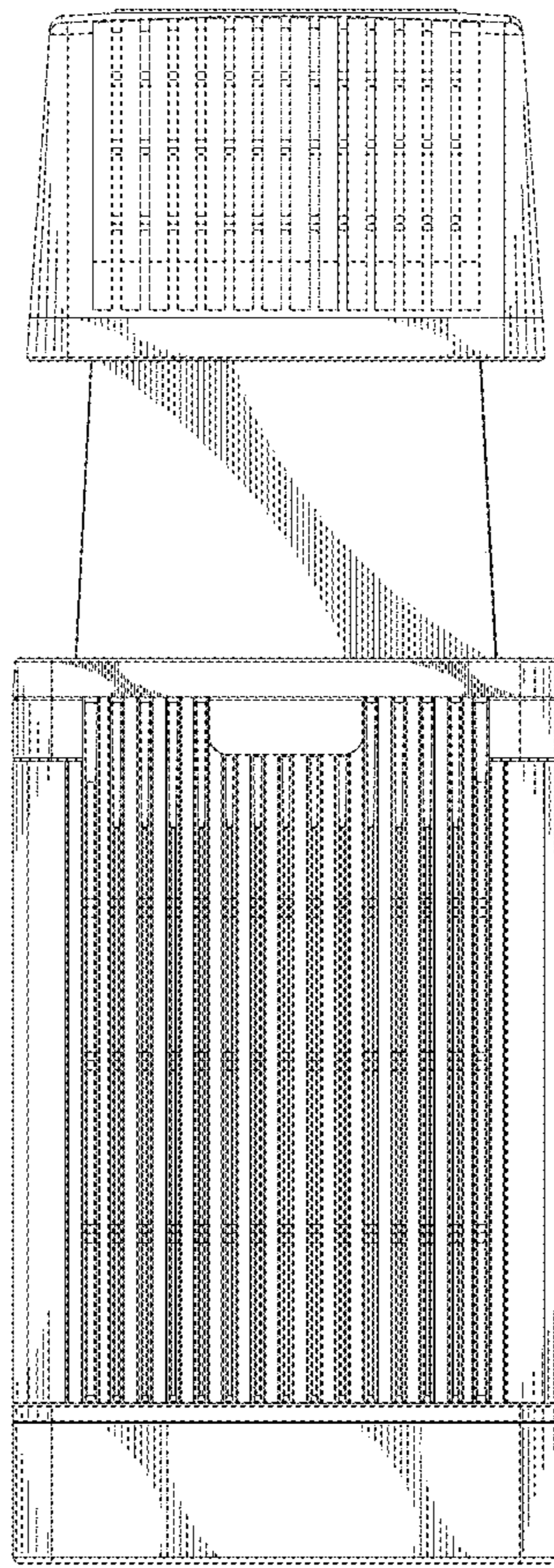


FIG. 4

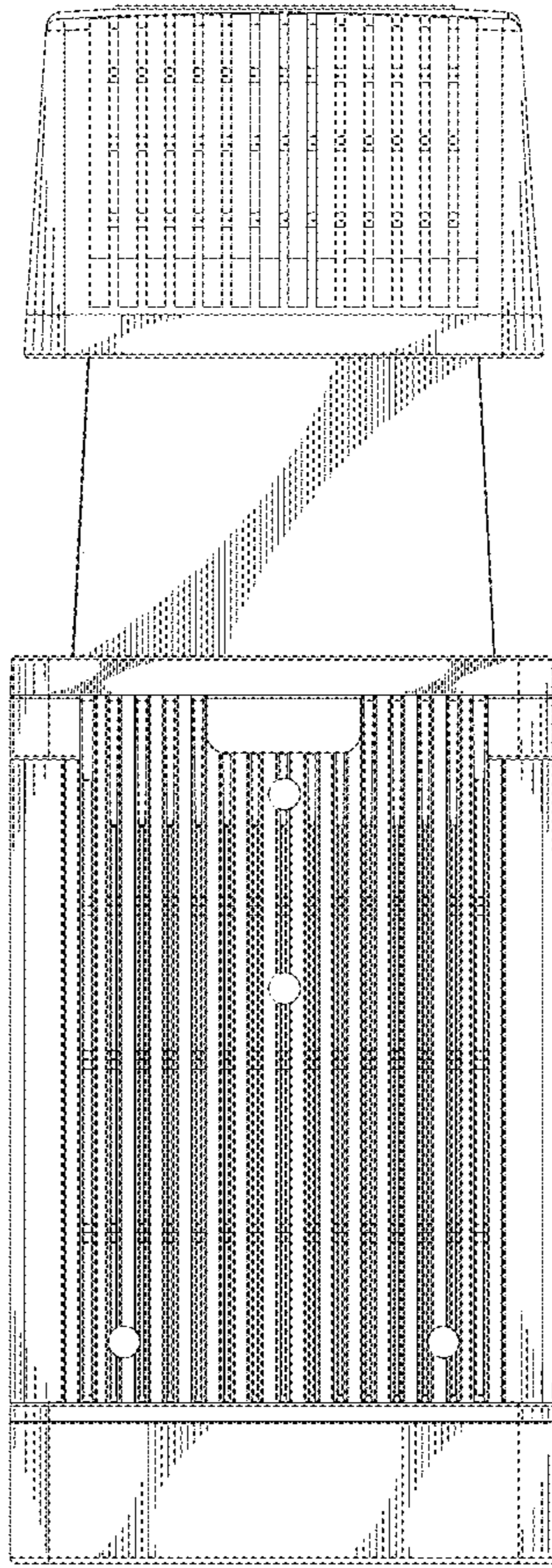


FIG. 5

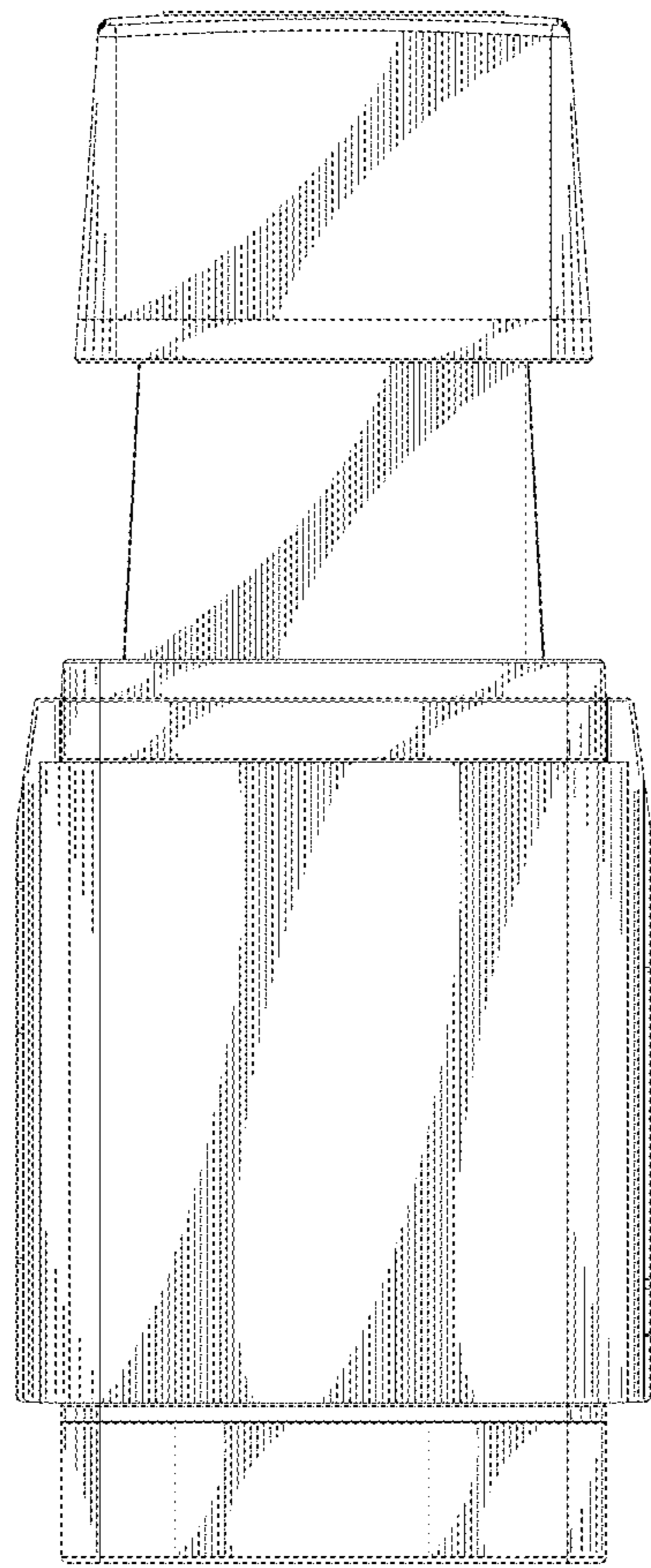


FIG. 6

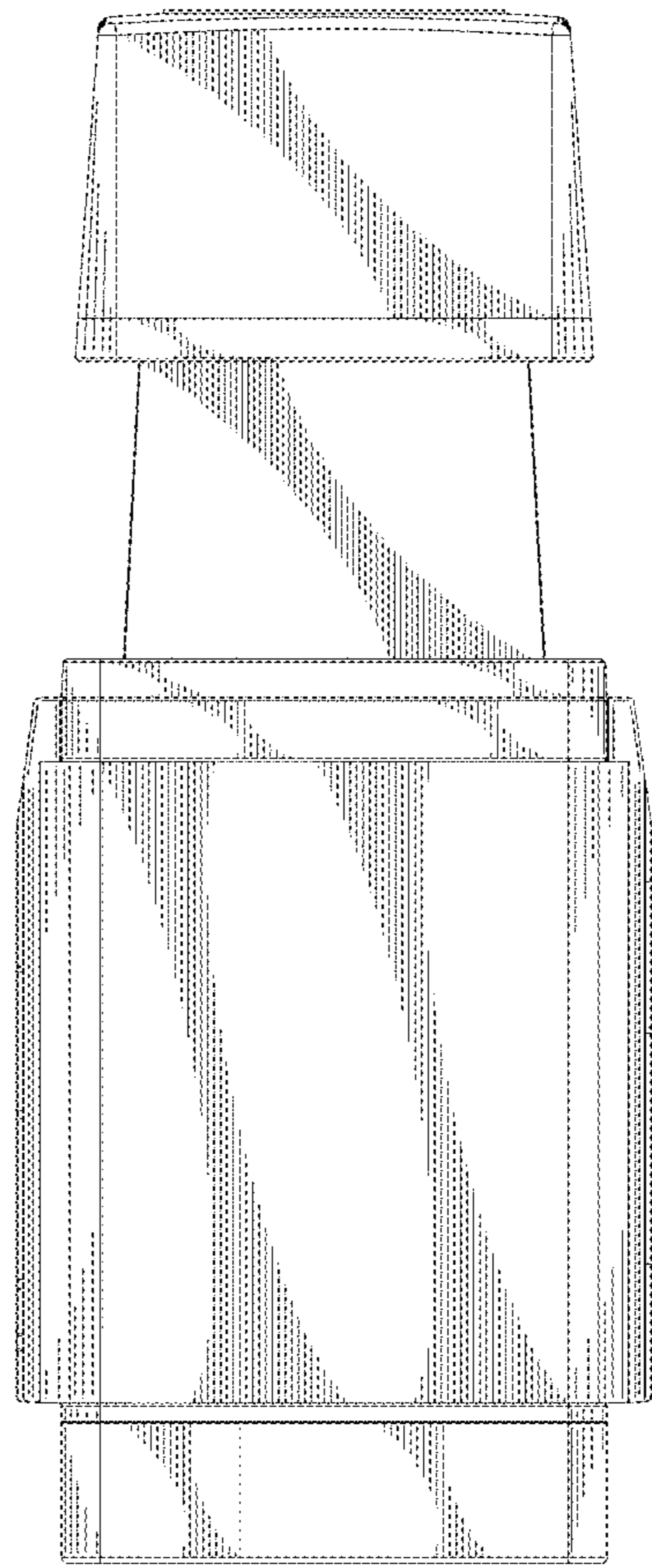


FIG. 7