



US00D823305S

(12) **United States Design Patent**
Ang

(10) **Patent No.:** **US D823,305 S**

(45) **Date of Patent:** **** Jul. 17, 2018**

(54) **MOUSE FOR COMPUTERS**

(71) Applicant: **Creative Technology Ltd**, Singapore
(SG)

(72) Inventor: **Huang Pheng Vince Ang**, Singapore
(SG)

(73) Assignee: **Creative Technology Ltd**, Singapore
(SG)

(**) Term: **15 Years**

(21) Appl. No.: **29/605,871**

(22) Filed: **May 31, 2017**

(51) **LOC (11) Cl.** **14-02**

(52) **U.S. Cl.**
USPC **D14/409**

(58) **Field of Classification Search**
USPC D14/402–411, 356, 388, 389, 383–385,
D14/417, 426; 345/156–167; 463/36–38;
358/471, 473; 273/148 B
CPC G06F 3/03543; G06F 2203/0333; G06F
3/039; G06F 3/038; G06F 2203/0384
See application file for complete search history.

(56) **References Cited**

U.S. PATENT DOCUMENTS

D591,294 S * 4/2009 Manalo D14/402
D618,685 S * 6/2010 Haase D14/409
D640,257 S * 6/2011 Lee D14/410

D688,245 S * 8/2013 Guerra D14/409
D688,664 S * 8/2013 Guerra D14/409
D711,380 S * 8/2014 Urban D14/410
D712,903 S * 9/2014 Lai D14/409
D718,310 S * 11/2014 Moon D14/409
D729,804 S * 5/2015 Jost D14/410
D744,485 S * 12/2015 Young D14/409
D749,076 S * 2/2016 Helwig D14/409
D771,046 S * 11/2016 Jost D14/410
D794,638 S * 8/2017 Zheng D14/409
2009/0046064 A1 * 2/2009 Manalo G06F 3/03543
345/164

* cited by examiner

Primary Examiner — Austin Murphy

(74) *Attorney, Agent, or Firm* — Russell Swerdon;
Desmund Gean

(57) **CLAIM**

The ornamental design for a mouse for computers, substantially as shown and described.

DESCRIPTION

FIG. 1 is a front perspective view of a mouse for computers showing our new design;

FIG. 2 is a rear perspective view of the mouse for computers in FIG. 1;

FIG. 3 is a front view thereof;

FIG. 4 is a rear view thereof;

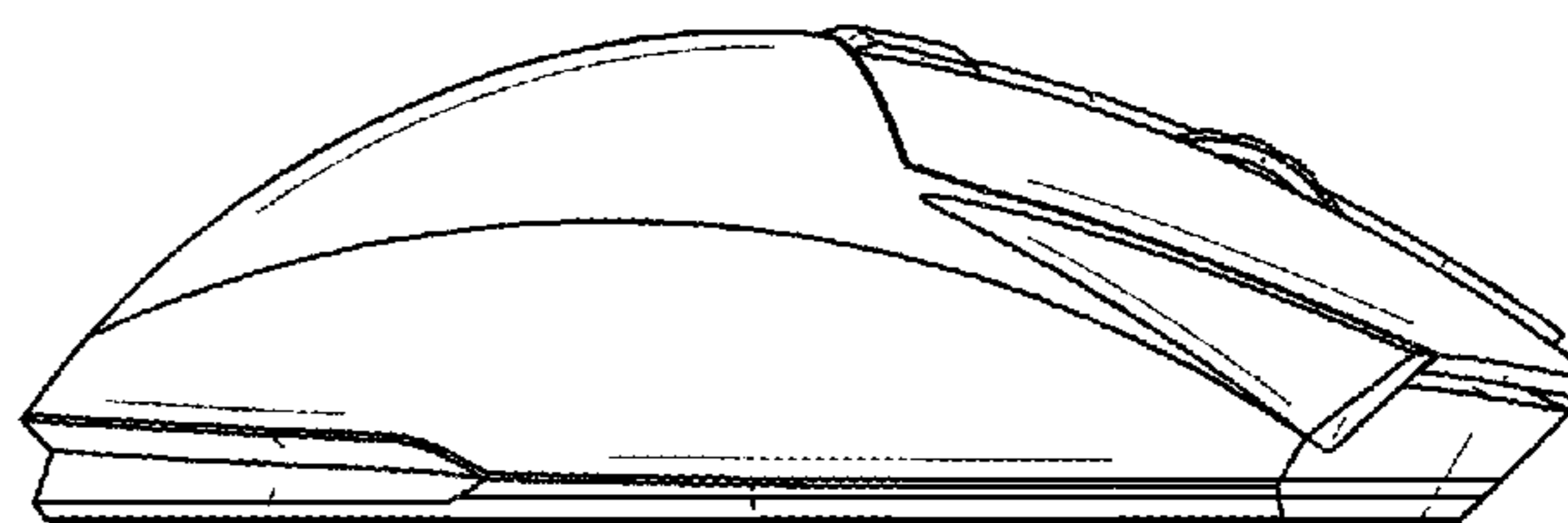
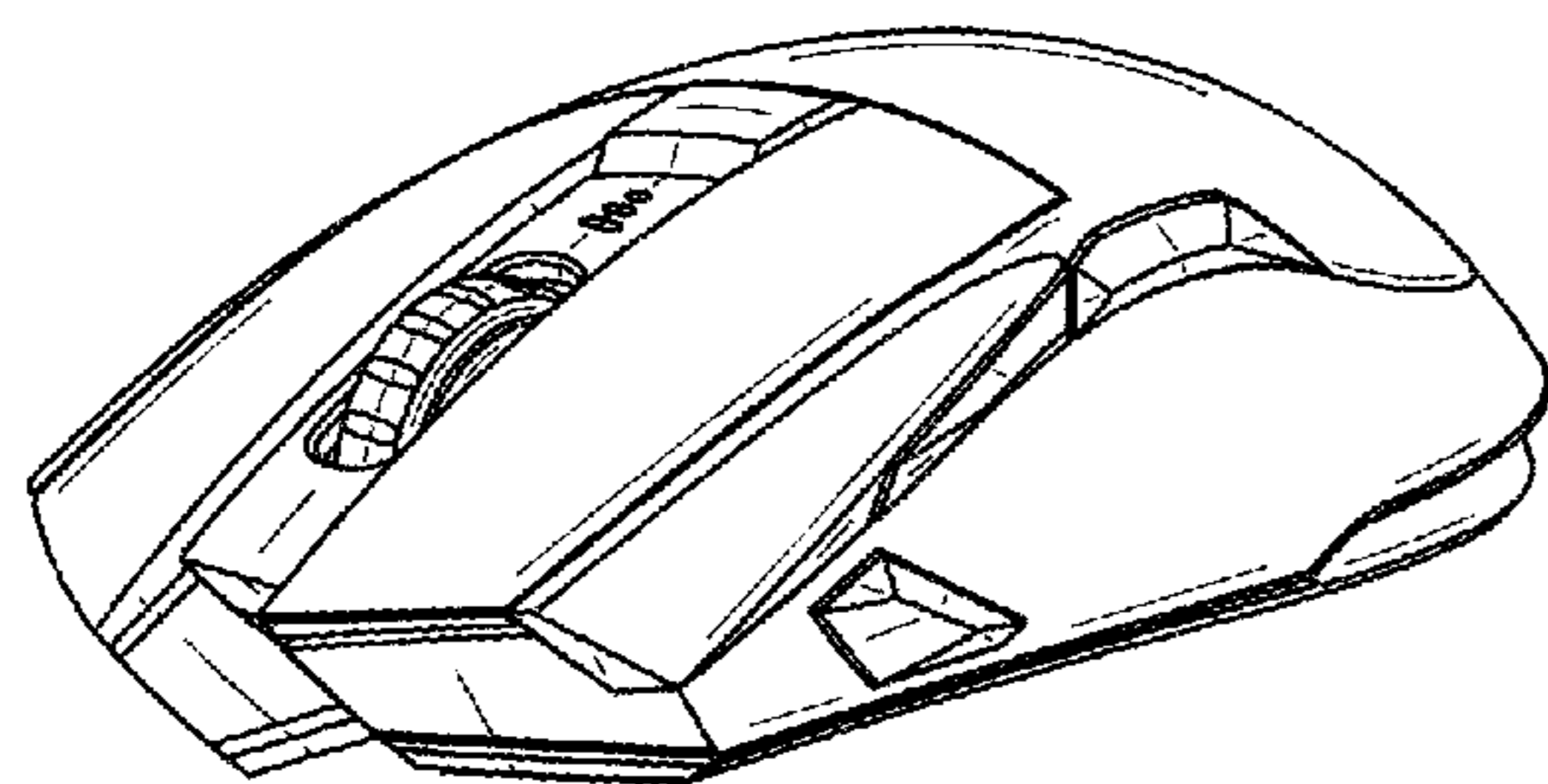
FIG. 5 is a left side view thereof;

FIG. 6 is a right side view thereof;

FIG. 7 is a top view thereof; and,

FIG. 8 is a bottom view thereof.

1 Claim, 7 Drawing Sheets



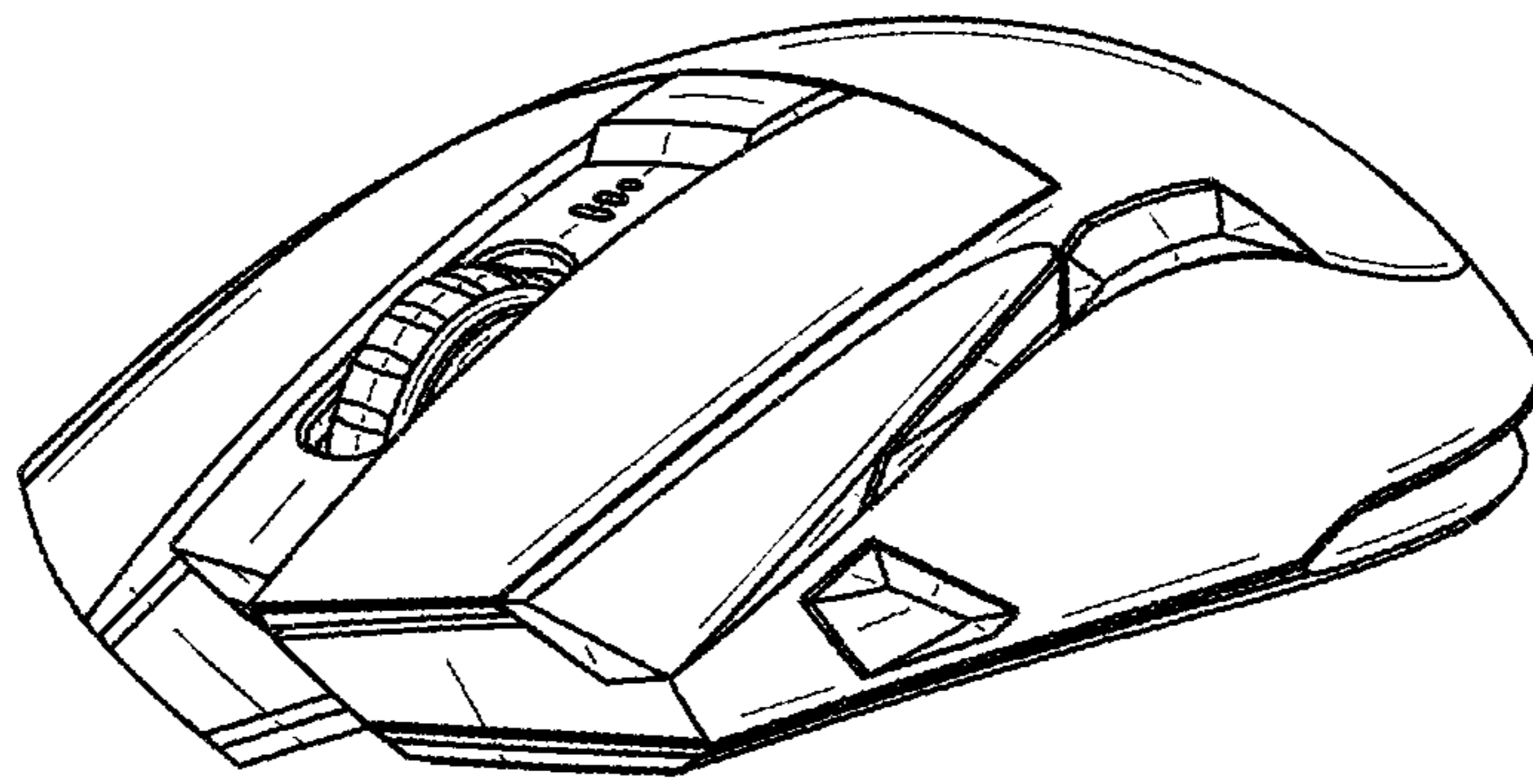


FIG. 1

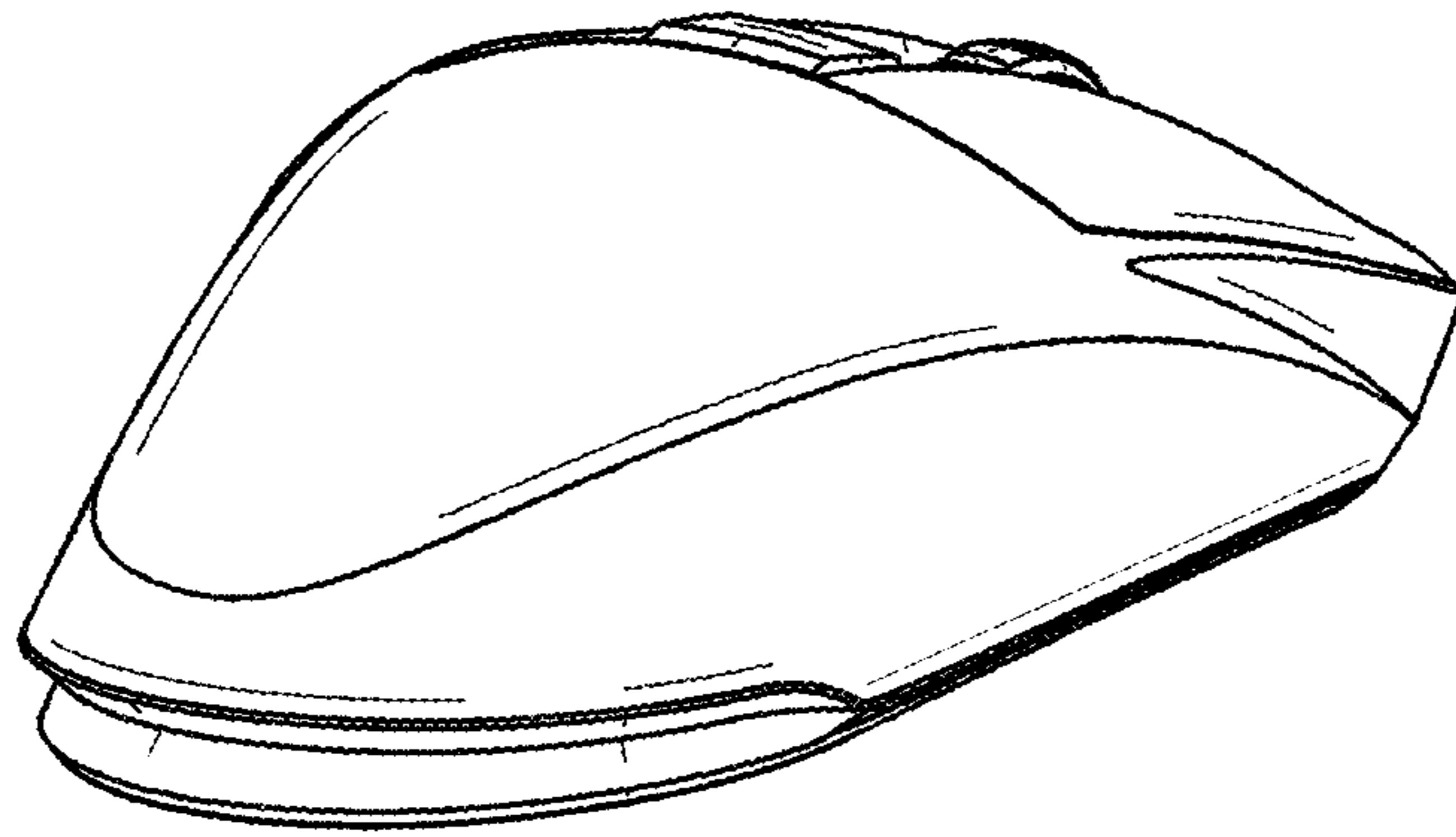


FIG. 2

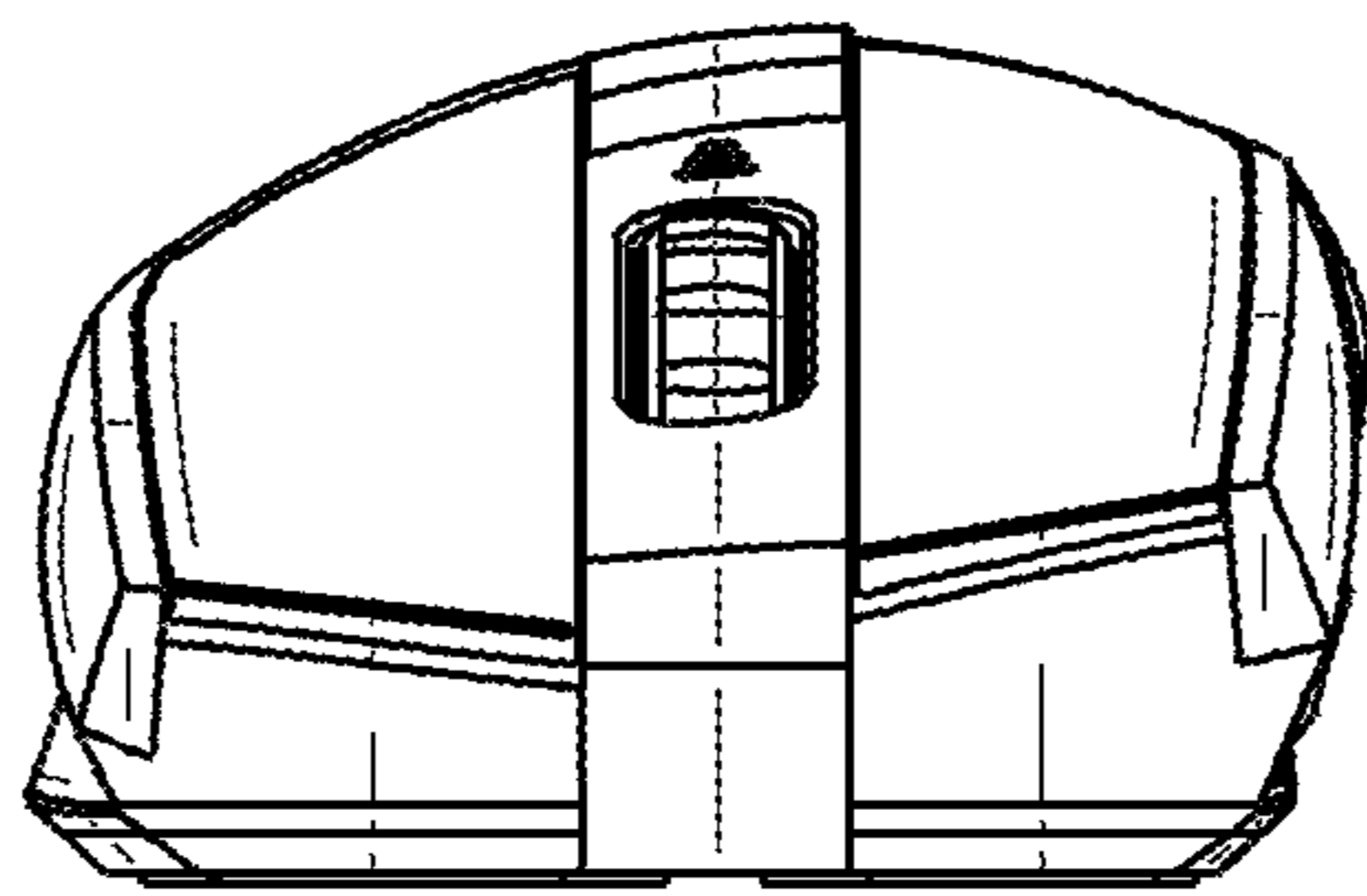


FIG. 3

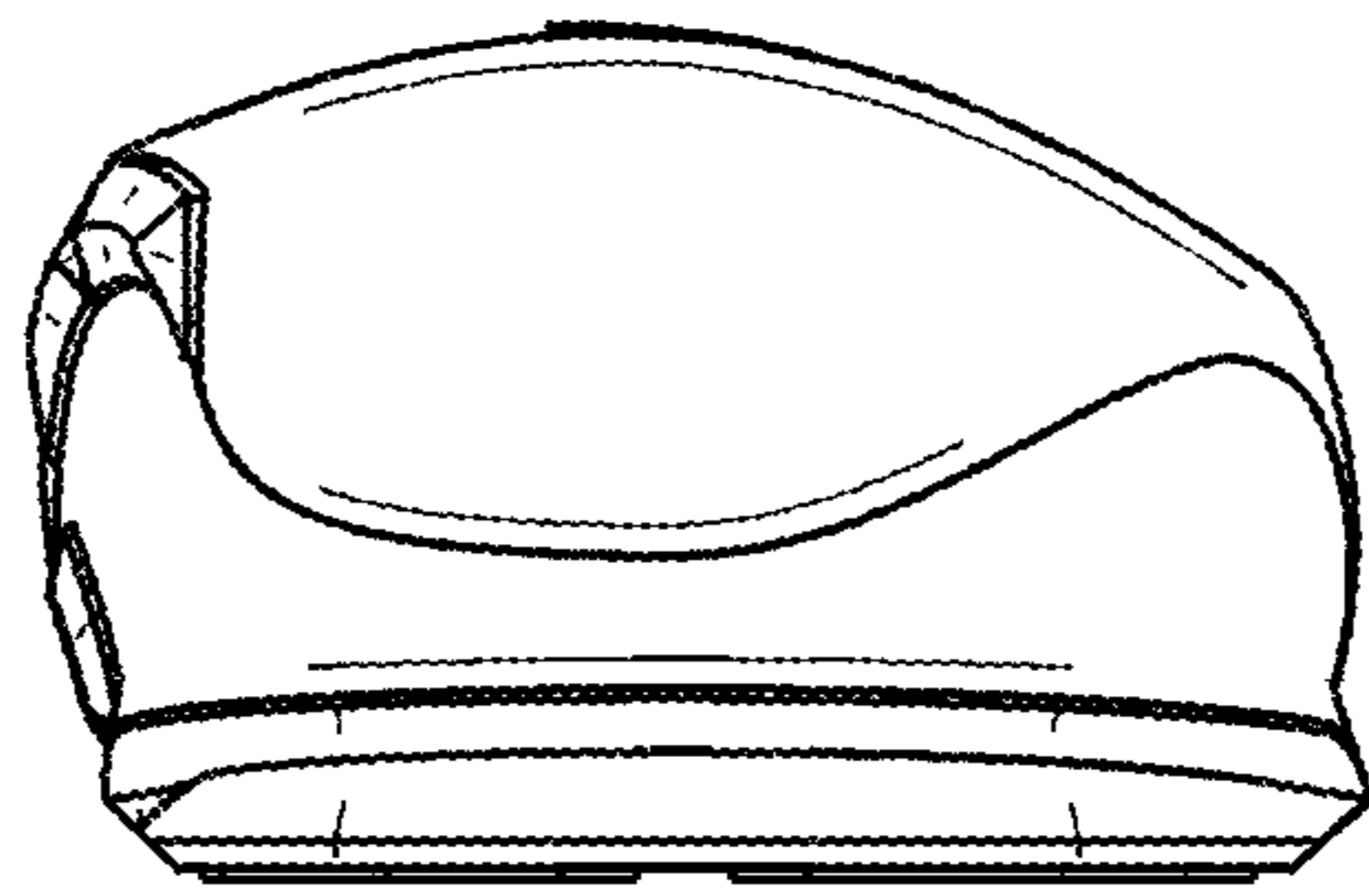


FIG. 4

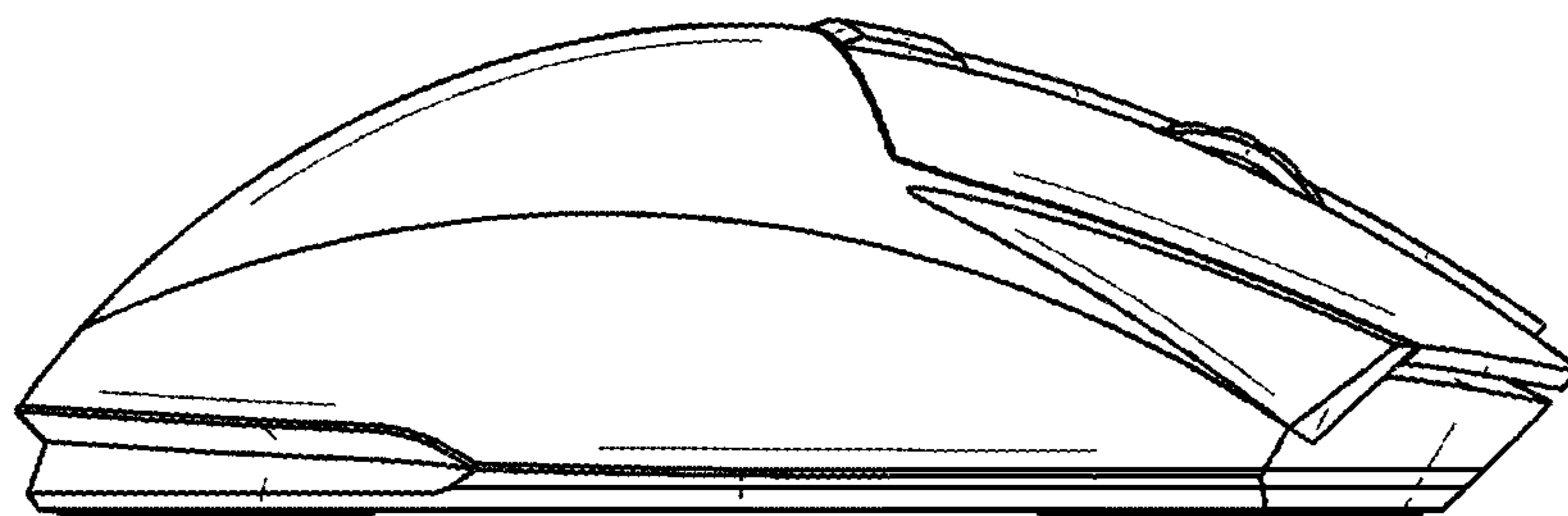


FIG. 5

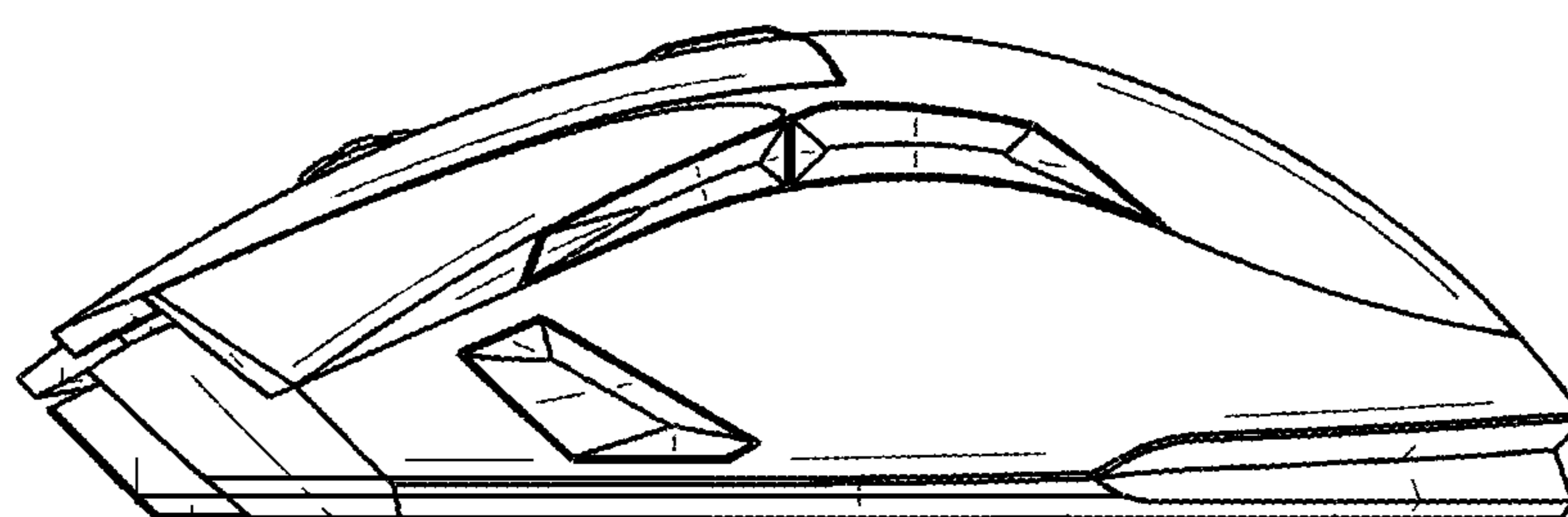


FIG. 6

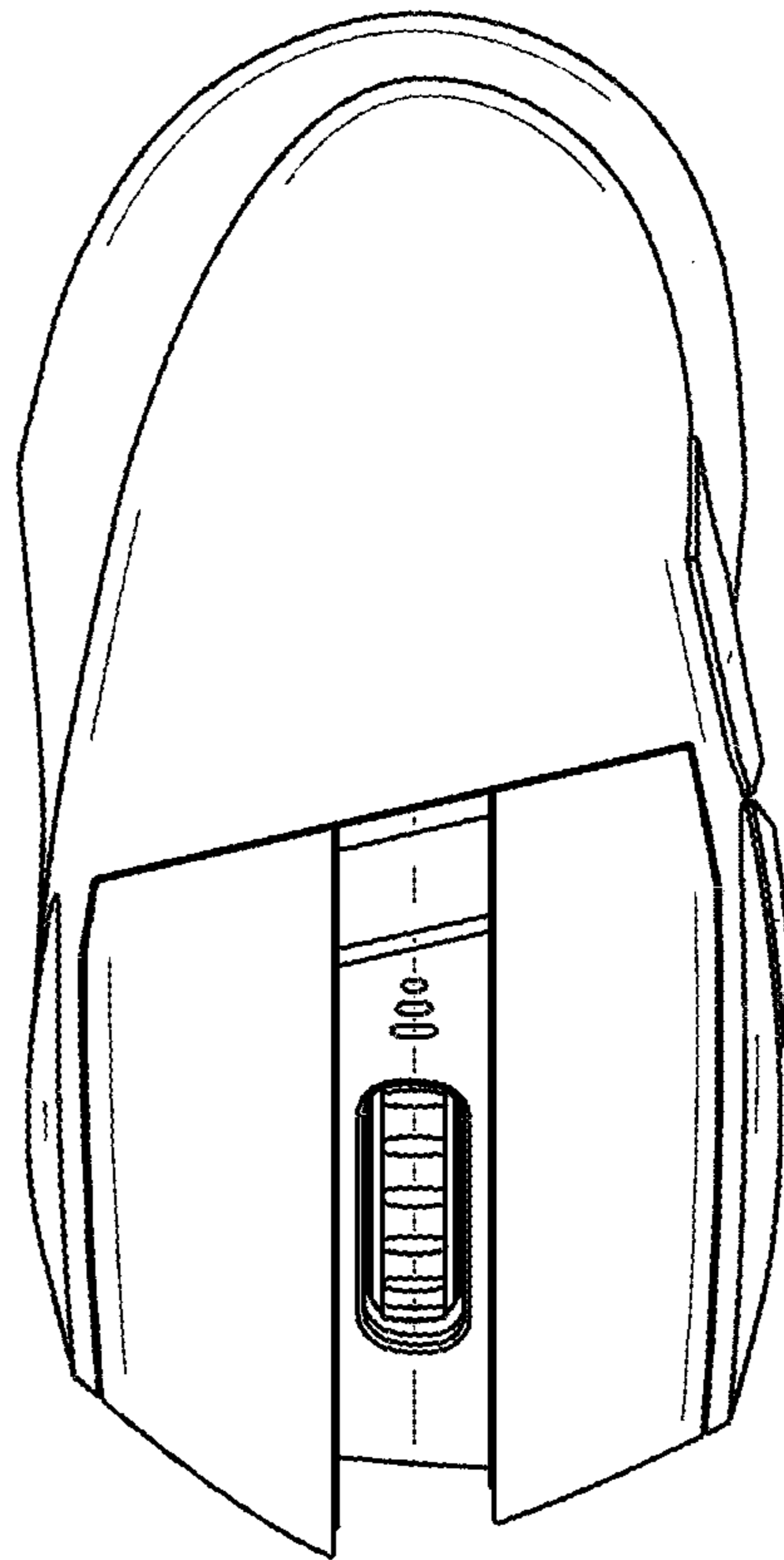


FIG. 7

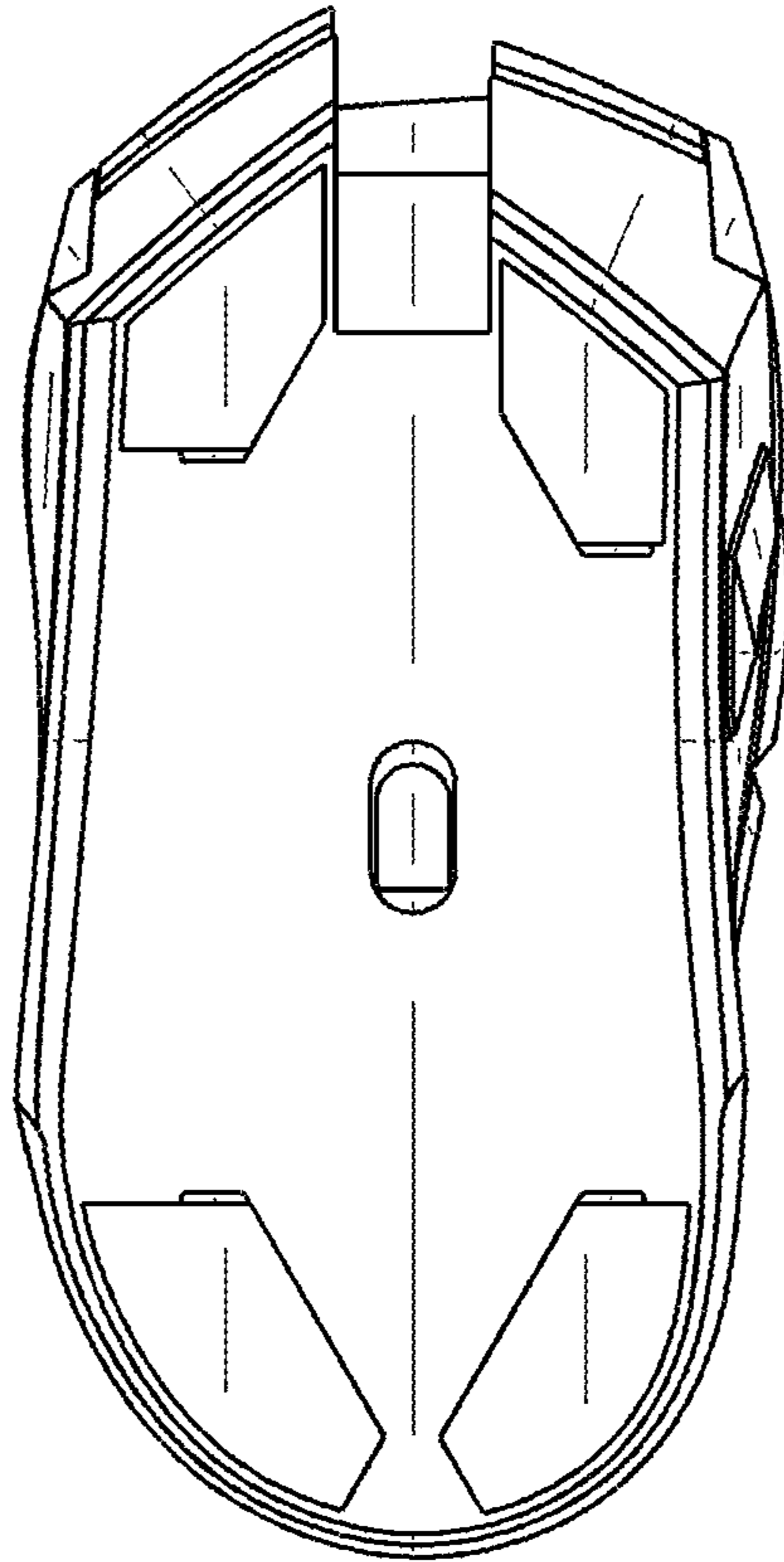


FIG. 8