



US00D823302S

(12) **United States Design Patent** (10) **Patent No.:** **US D823,302 S**  
**Yoshimoto et al.** (45) **Date of Patent:** **\*\* Jul. 17, 2018**

(54) **PORTABLE WRIST WEARABLE DEVICE**

(71) Applicant: **LG ELECTRONICS INC.**, Seoul (KR)

(72) Inventors: **Max Yoshimoto**, Sunnyvale, CA (US); **Christophe Koch**, Santa Cruz, CA (US); **Alberto Villarreal**, San Jose, CA (US); **Hyenseung Seo**, Seoul (KR); **Seongjae Lim**, Seoul (KR); **Seala Park**, Seoul (KR)

(73) Assignee: **LG ELECTRONICS INC.**, Seoul (KR)

(\*\*) Term: **15 Years**

(21) Appl. No.: **29/593,241**

(22) Filed: **Feb. 7, 2017**

(51) **LOC (11) Cl.** ..... **14-02**

(52) **U.S. Cl.**  
USPC ..... **D14/344**; D10/32

(58) **Field of Classification Search**  
USPC ... D10/30-32, 38, 40, 41, 46, 70, 79, 106.5, D10/106.6, 106.92, 106.94, 114.6, 123, D10/125, 126, 128, 131; D11/1-4, 93, D11/94; D14/138, 144, 641, 644, 658, D14/485; D24/167, 169, 186, 187  
CPC ..... A61B 5/0022; A61B 5/02438; A61B 5/14552; A61B 5/681  
See application file for complete search history.

(56) **References Cited**

**U.S. PATENT DOCUMENTS**

D731,455 S \* 6/2015 Park ..... D10/38  
D732,981 S \* 6/2015 Waecker ..... D10/38  
D772,868 S \* 11/2016 Park ..... D10/39  
D795,710 S \* 8/2017 Okazaki ..... D10/30  
D795,863 S \* 8/2017 Park ..... D10/30  
D797,098 S \* 9/2017 Bang ..... D14/344  
D807,351 S \* 1/2018 Bang ..... D14/344

D808,386 S \* 1/2018 Matsuda ..... D14/344  
2016/0170445 A1\* 6/2016 Wai ..... G06F 1/163  
361/679.03  
2016/0287095 A1\* 10/2016 Gu ..... A61B 5/0245  
(Continued)

**FOREIGN PATENT DOCUMENTS**

JP 2017023450 A \* 2/2017 ..... A61B 5/681  
JP 2017023509 A \* 2/2017 ..... A61B 5/02438  
(Continued)

**OTHER PUBLICATIONS**

LG Watch Sport, posted on lg.com, earliest reviewed 2017, no production date given, [online], [site visited Jan. 30, 2018], Available from Internet, URL: <http://www.lg.com/us/smart-watches/lg-W280A-sport> (Year: 2017).\*

(Continued)

*Primary Examiner* — Melanie H Tung  
*Assistant Examiner* — Fitzgerald L Butac

(74) *Attorney, Agent, or Firm* — Birch, Stewart, Kolasch & Birch, LLP

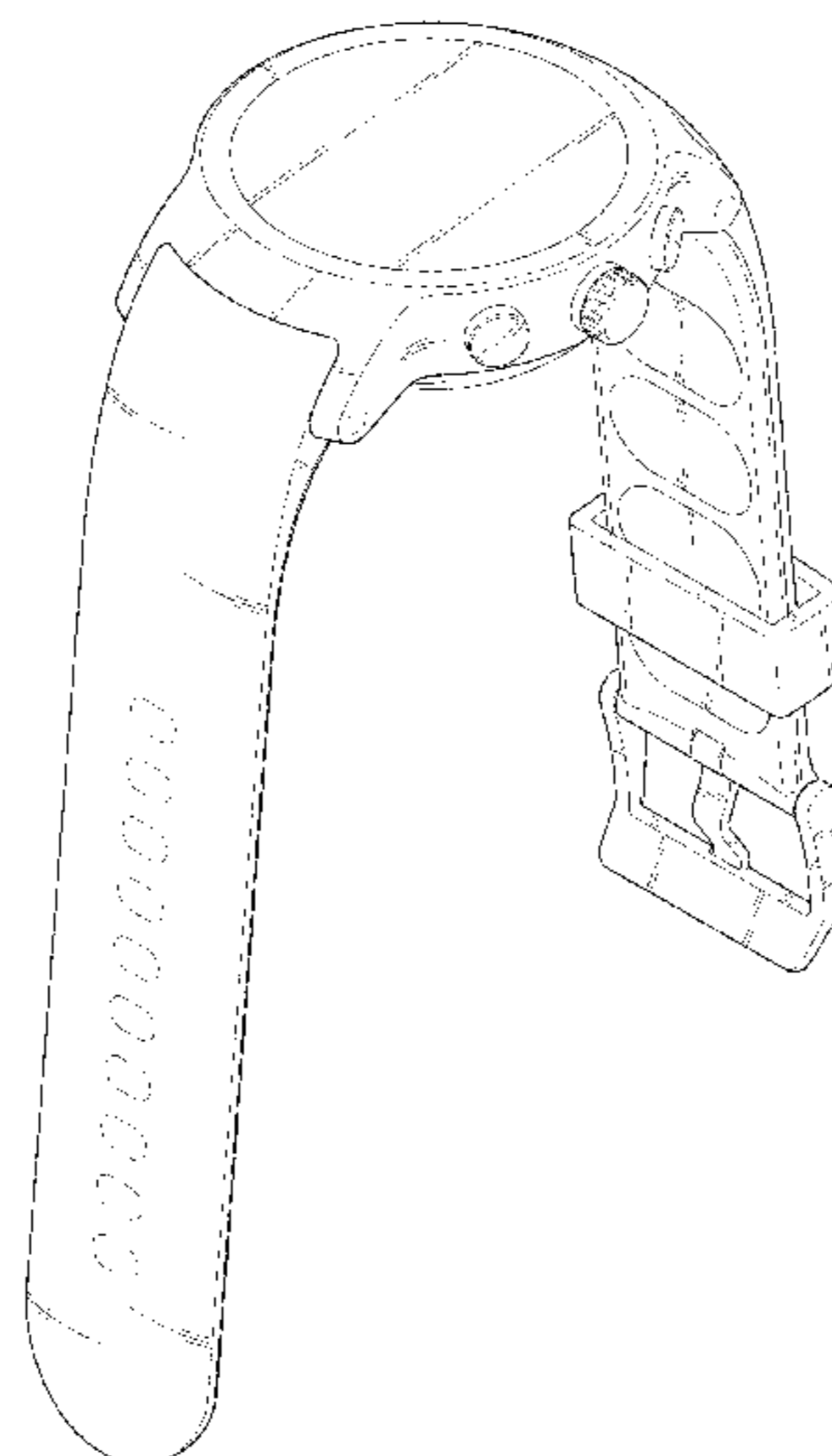
(57) **CLAIM**

The ornamental design for a portable wrist wearable device, as shown and described.

**DESCRIPTION**

FIG. 1 is a perspective view of a portable wrist wearable device showing our new design;  
FIG. 2 is a front view thereof;  
FIG. 3 is a rear view thereof;  
FIG. 4 is a left side view thereof;  
FIG. 5 is a right side view thereof;  
FIG. 6 is a top plan view thereof; and,  
FIG. 7 is a bottom plan view thereof.  
The broken lines depict portions of the portable wrist wearable device that form no part of the claimed design.

**1 Claim, 7 Drawing Sheets**



(56)

**References Cited**

U.S. PATENT DOCUMENTS

2016/0338598 A1\* 11/2016 Kegasawa ..... A61B 5/0205  
2017/0020401 A1\* 1/2017 Nakayama ..... A61B 5/02438  
2017/0027508 A1\* 2/2017 Nakayama ..... A61B 5/681  
2018/0000366 A1\* 1/2018 Hidai ..... A61B 5/681

FOREIGN PATENT DOCUMENTS

JP 2017029289 A \* 2/2017 ..... A61B 5/681  
JP 2017083978 A \* 5/2017 ..... G01C 22/006

OTHER PUBLICATIONS

Fossil Q, posted on macys.com, earliest reviewed Oct. 4, 2017, no production date given, [online], [site visited Jan. 30, 2018]. Available from Internet, URL: [https://www.macys.com/shop/product/fossil-q-mens-explorist-gen-3-brown-leather-strap-touchscreen-smart-watch-46mm?ID=5173453&pla\\_country=US](https://www.macys.com/shop/product/fossil-q-mens-explorist-gen-3-brown-leather-strap-touchscreen-smart-watch-46mm?ID=5173453&pla_country=US) (Year: 2017).\*

““The first product with Android wear 2.0 is LG’s Smart Watch” two types of model will be released on Feb. 9, 2017”, publication date: Jan. 18, 2017, <http://www.itworld.co.kr/news/103082>.

\* cited by examiner

FIG. 1

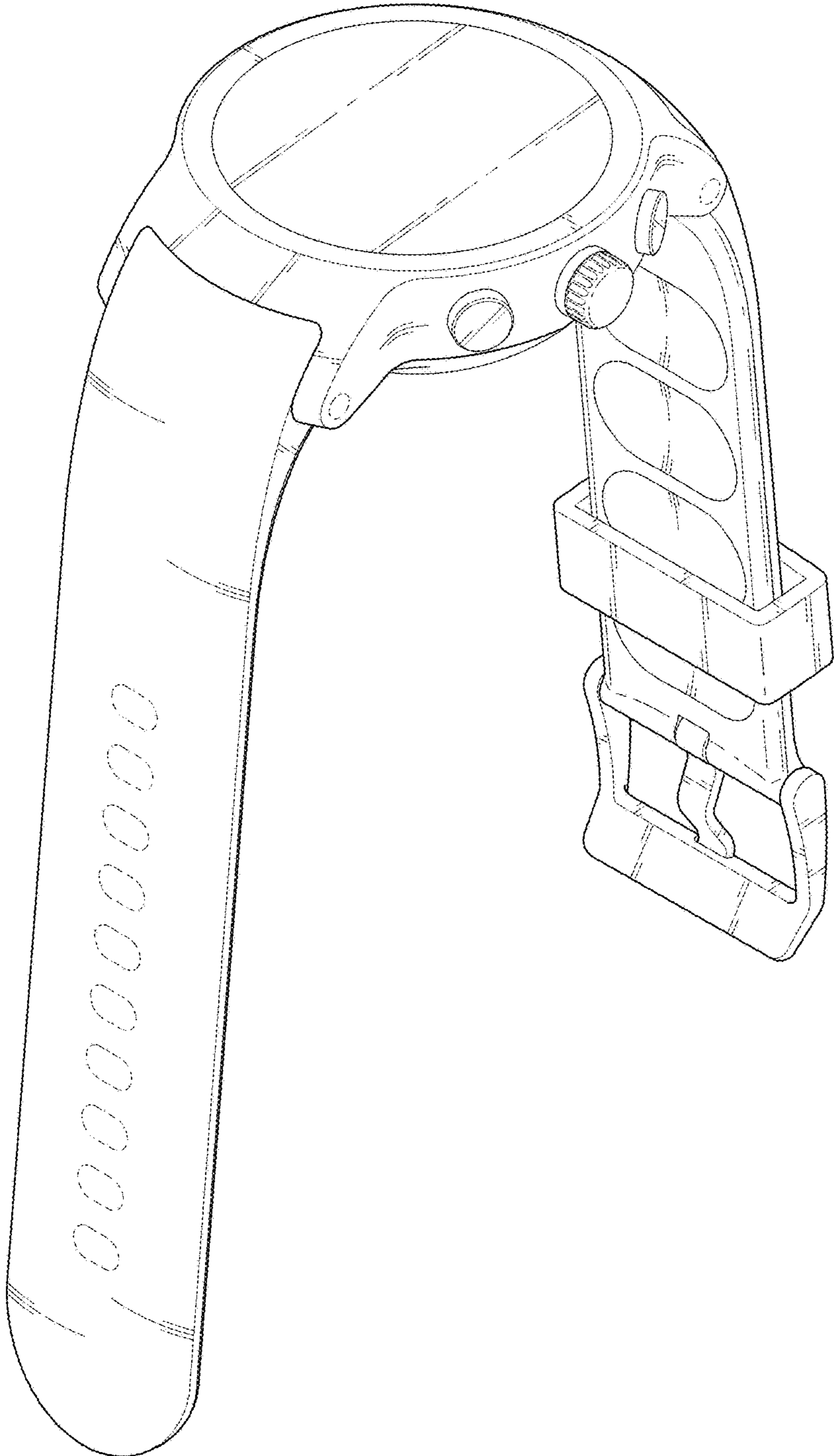


FIG. 2

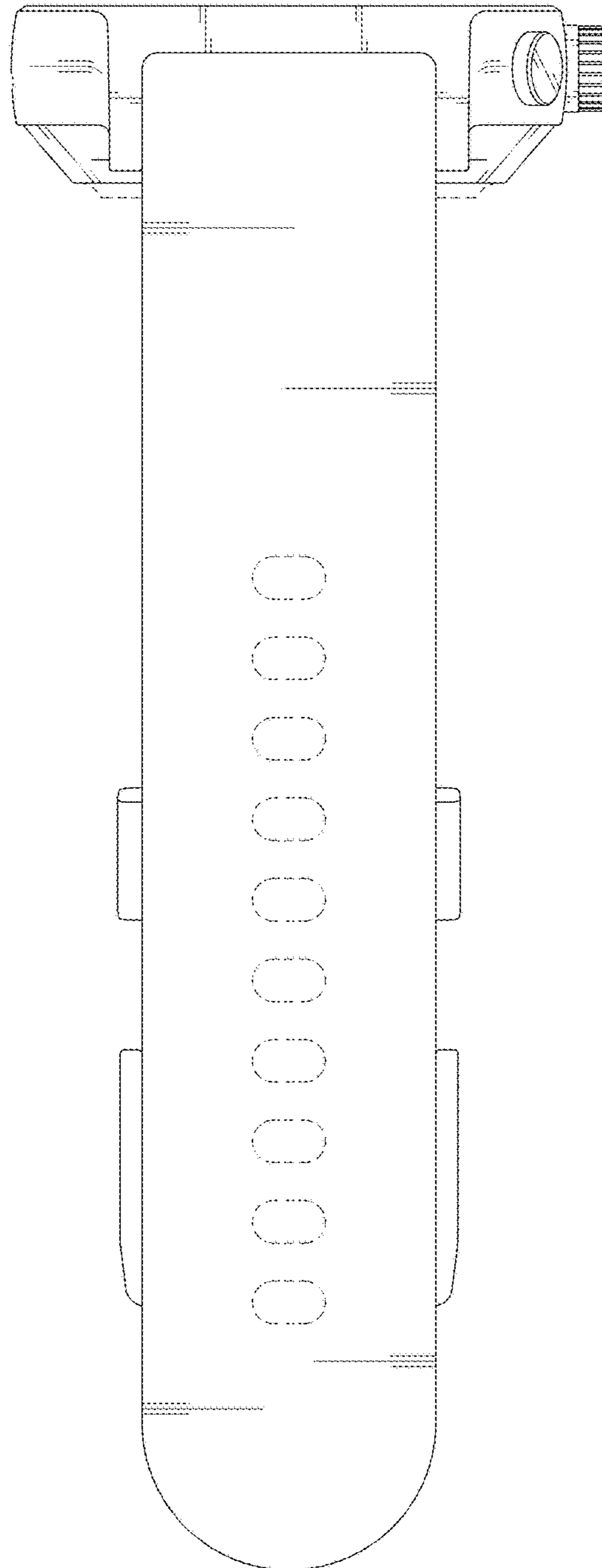


FIG. 3

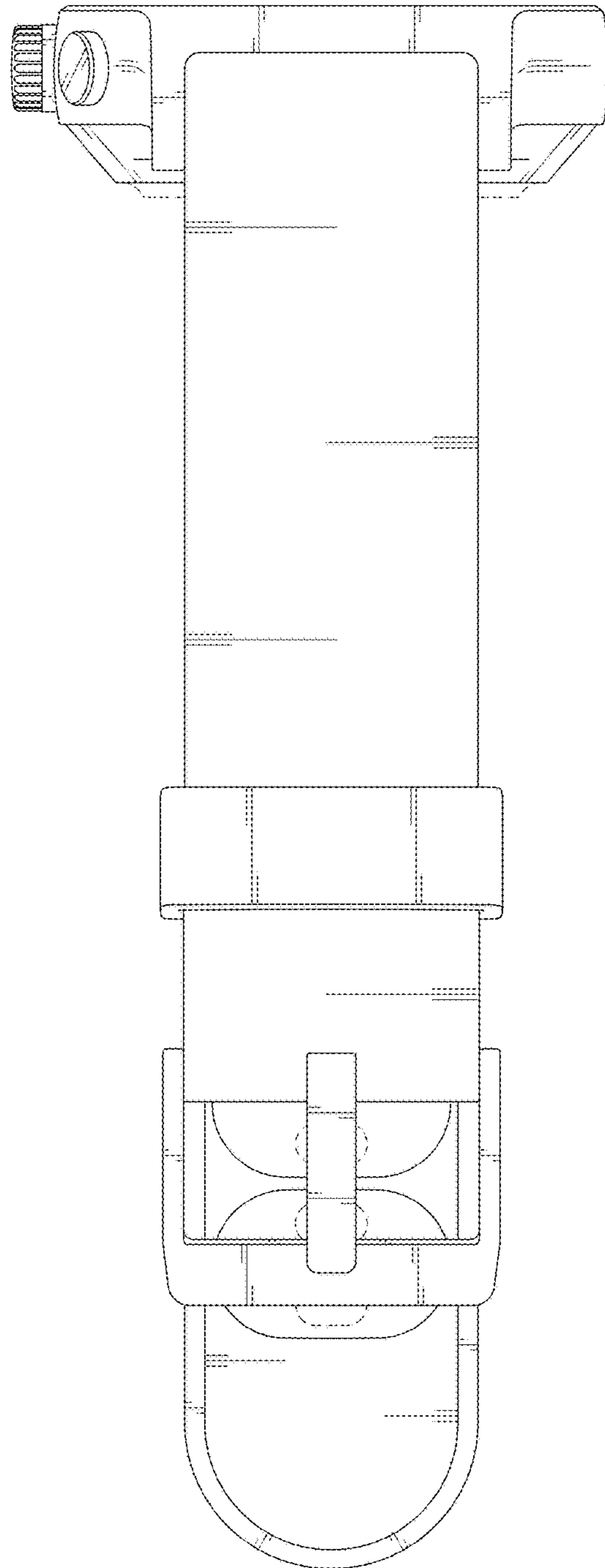


FIG. 4

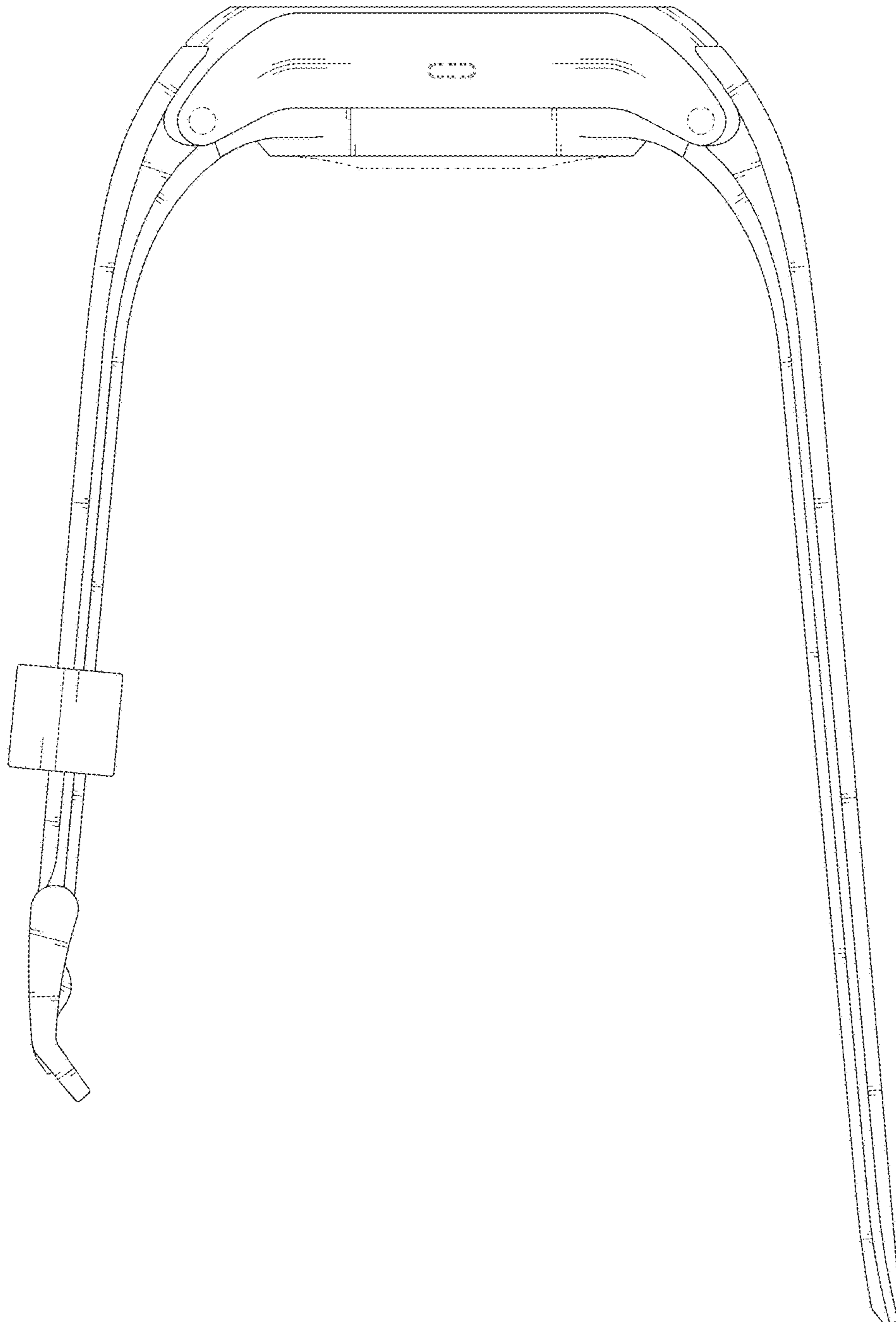


FIG. 5

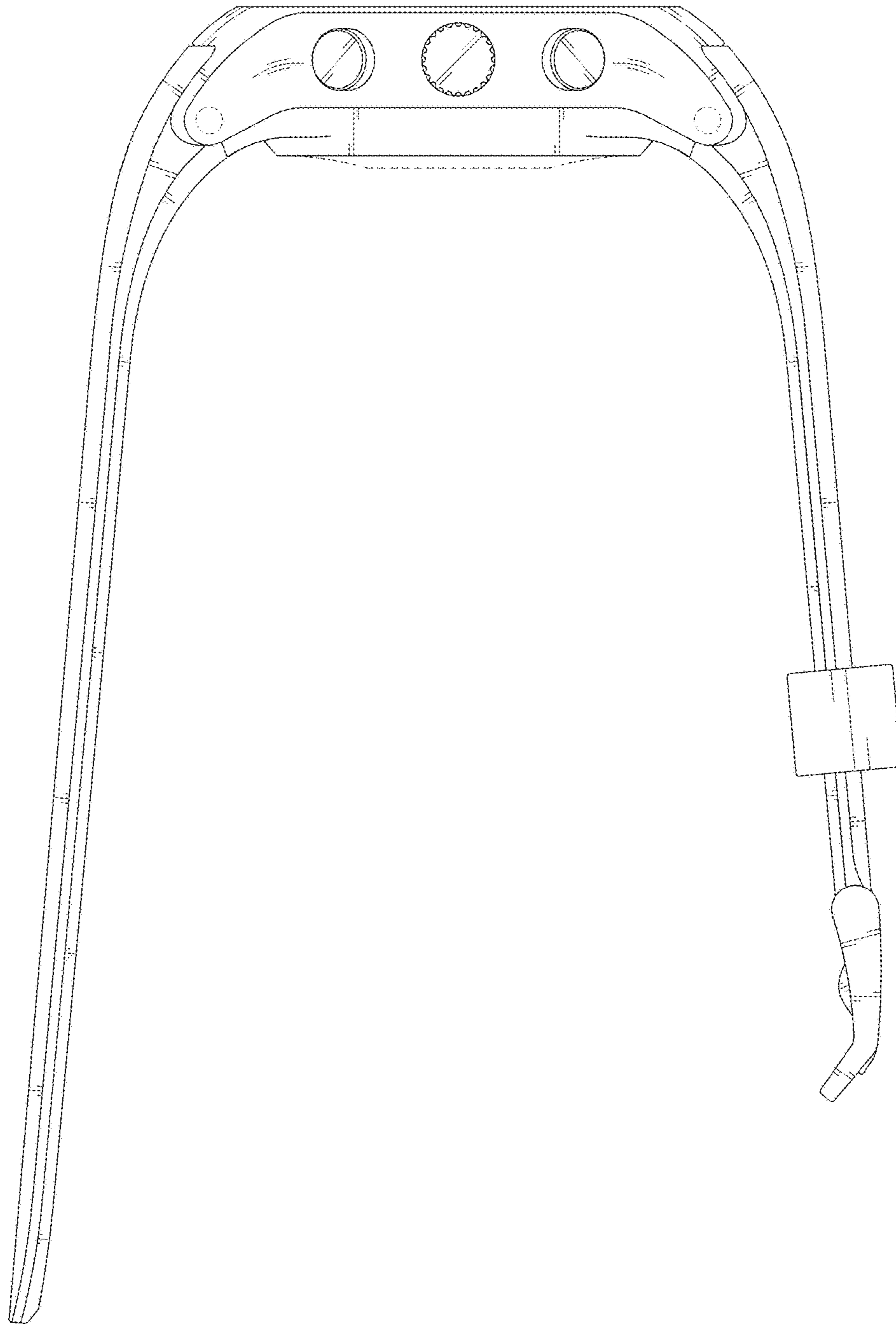


FIG. 6

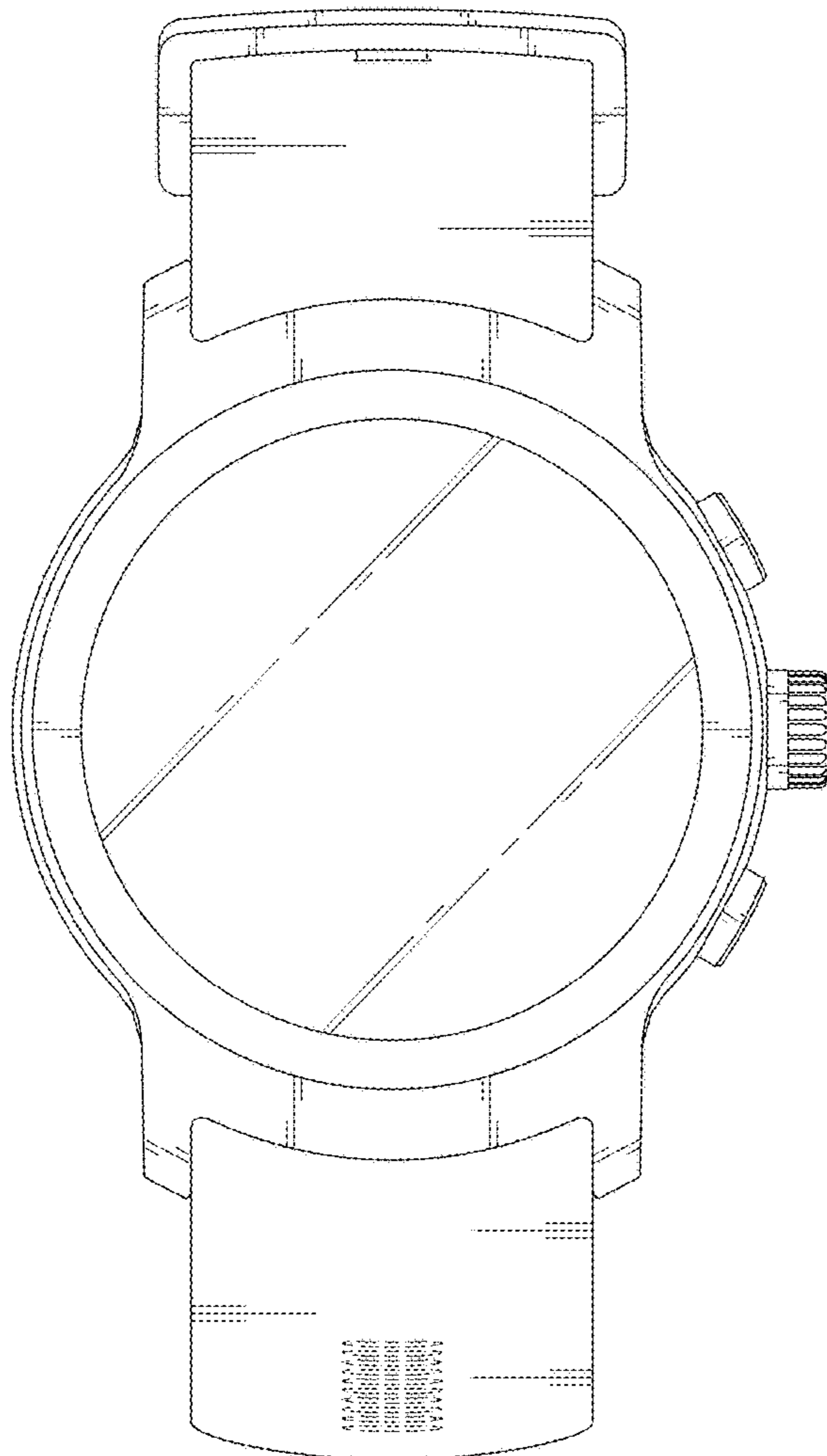




FIG. 7

