



US00D823301S

(12) **United States Design Patent**  
**Bang et al.**

(10) **Patent No.:** **US D823,301 S**  
(45) **Date of Patent:** **\*\* Jul. 17, 2018**

(54) **ELECTRONIC DEVICE**

(71) Applicant: **Samsung Electronics Co., Ltd.**,  
Suwon-si (KR)

(72) Inventors: **Yongseok Bang**, Yongin-si (KR); **Miri Lee**, Namyangju-si (KR); **In Sik Chung**, Seoul (KR); **Jaehyung Hong**, Seoul (KR)

(73) Assignee: **SAMSUNG ELECTRONICS CO., LTD.**, Suwon-si (KR)

(\*\*) Term: **15 Years**

(21) Appl. No.: **29/542,450**

(22) Filed: **Oct. 14, 2015**

(30) **Foreign Application Priority Data**

Aug. 13, 2015 (KR) ..... 30-2015-0041030

(51) **LOC (11) Cl.** ..... **14-02**

(52) **U.S. Cl.**  
USPC ..... **D14/344**

(58) **Field of Classification Search**  
USPC ..... D14/344, 138 R, 144, 358; D24/167,  
D24/169, 186-187; D11/3, 93-94;  
(Continued)

(56) **References Cited**

**U.S. PATENT DOCUMENTS**

D242,436 S \* 11/1976 Nilson ..... D10/30  
D248,219 S \* 6/1978 Porsche ..... D10/32  
(Continued)

**FOREIGN PATENT DOCUMENTS**

TW D119047 S 9/2007

*Primary Examiner* — Barbara Fox

*Assistant Examiner* — Kristin E Reed

(74) *Attorney, Agent, or Firm* — McAndrews Held & Malloy, Ltd.

(57) **CLAIM**

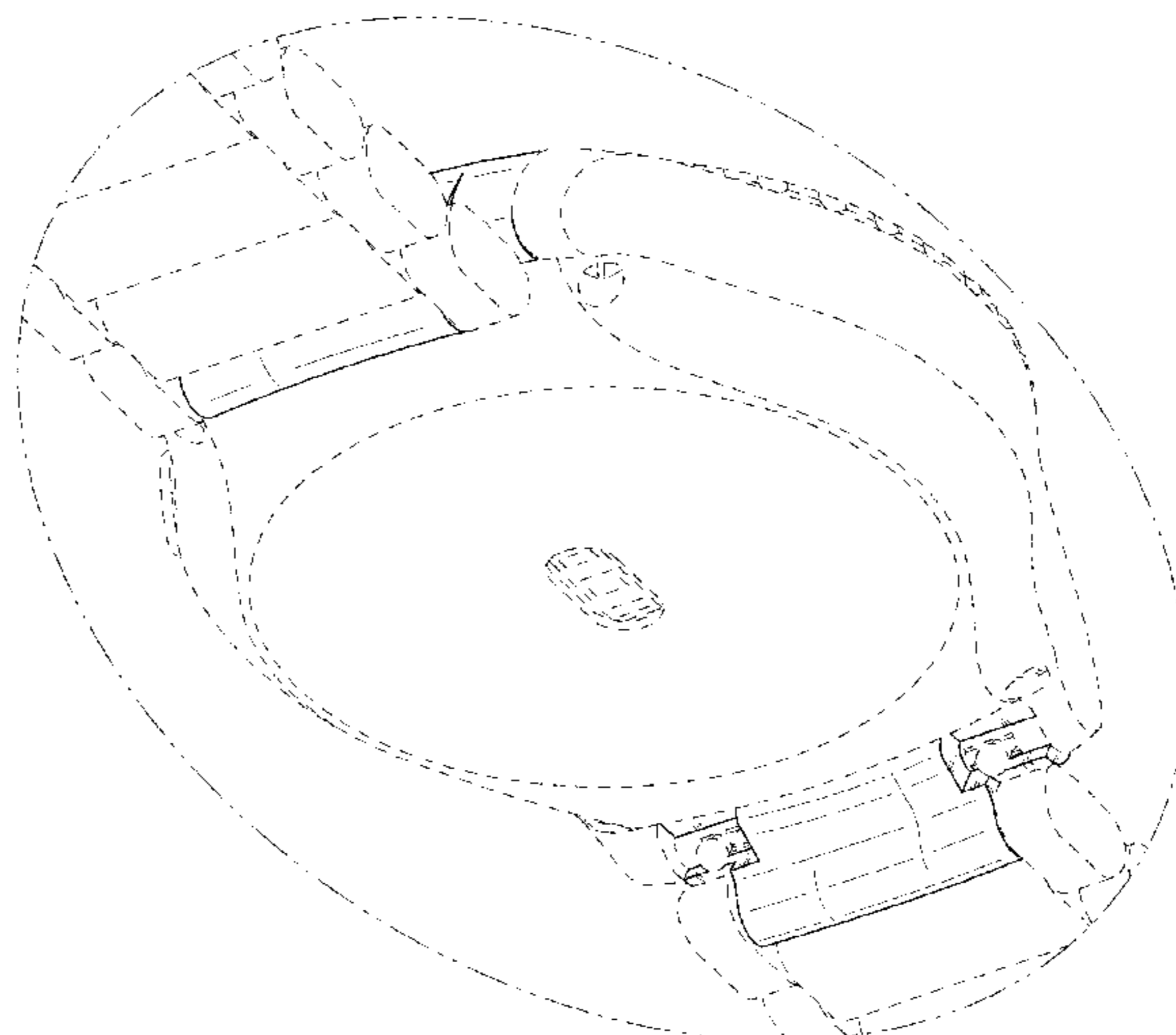
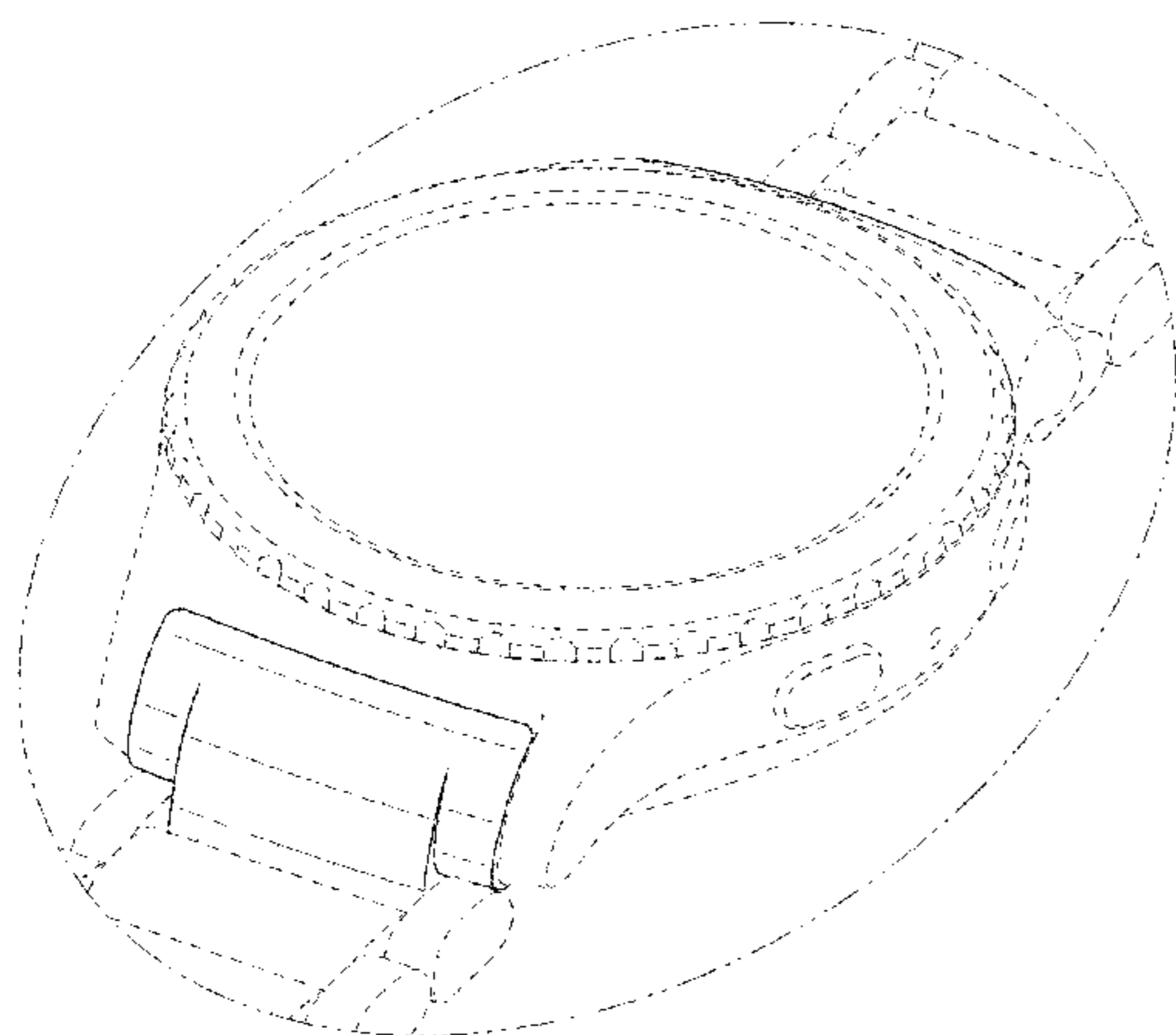
The ornamental design for an electronic device, as shown and described.

**DESCRIPTION**

FIG. 1 is a front perspective view of an electronic device showing our new design;  
FIG. 2 is a front elevation view thereof;  
FIG. 3 is a rear elevation view thereof;  
FIG. 4 is a left side elevation view thereof;  
FIG. 5 is a right side elevation view thereof;  
FIG. 6 is a top plan view thereof;  
FIG. 7 is a bottom plan view thereof;  
FIG. 8 is a rear perspective view thereof;  
FIG. 9 is an enlarged front perspective view of the area encircled in FIG. 1;  
FIG. 10 is an enlarged front elevation view of the area encircled in FIG. 2;  
FIG. 11 is an enlarged rear elevation view of the area encircled in FIG. 3;  
FIG. 12 is an enlarged left side elevation view of the area encircled in FIG. 4;  
FIG. 13 is an enlarged right side elevation view of the area encircled in FIG. 5;  
FIG. 14 is an enlarged top plan view of FIG. 6;  
FIG. 15 is an enlarged bottom plan view of FIG. 7; and,  
FIG. 16 is an enlarged rear perspective view of the area encircled in FIG. 8.

The dash-dash broken lines in the figures depict portions of the electronic device that form no part of the claimed design. The dot-dot-dash broken lines in FIGS. 1-5, 8, 9-13 and 16 encircle portions of the claimed design that are illustrated in enlargements and form no part of the claimed design.

**1 Claim, 16 Drawing Sheets**



(58) **Field of Classification Search**

USPC ..... D10/30-39, 70, 98; 379/433.1;  
361/679.03  
CPC ..... G06F 1/163; G06F 1/1628; G06F 1/1626;  
G06F 1/1635; G06F 1/08; G06F 1/10;  
G06F 1/04; G06F 1/14; G06F 1/3203;  
A41D 1/002; H04M 1/02; H04M 1/03;  
H04M 1/04; H04M 1/05; H04M 1/667;  
H04M 1/6058; Y02B 60/12; H04B 1/385;  
H04B 1/3888; H04B 1/3833; G06Q  
20/10; G06Q 20/108; G06Q 20/12; G06Q  
20/145

See application file for complete search history.

(56) **References Cited**

U.S. PATENT DOCUMENTS

D444,396	S	*	7/2001	Tripet	.....	D10/32
D460,001	S	*	7/2002	Haquet	.....	D10/32
D491,817	S	*	6/2004	Bonnet	.....	D10/30
D525,537	S	*	7/2006	Monachon	.....	D10/32
D538,182	S	*	3/2007	Lalo	.....	D10/32
D631,764	S	*	2/2011	Furetta	.....	D10/32
D667,315	S	*	9/2012	Nakamura	.....	D10/32
D667,316	S	*	9/2012	Tonohori	.....	D10/32
D668,557	S	*	10/2012	Goto	.....	D10/32
D781,720	S	*	3/2017	Duport	.....	D10/32
9,639,123	B2	*	5/2017	Choi	.....	G06F 1/182

\* cited by examiner

FIG. 1

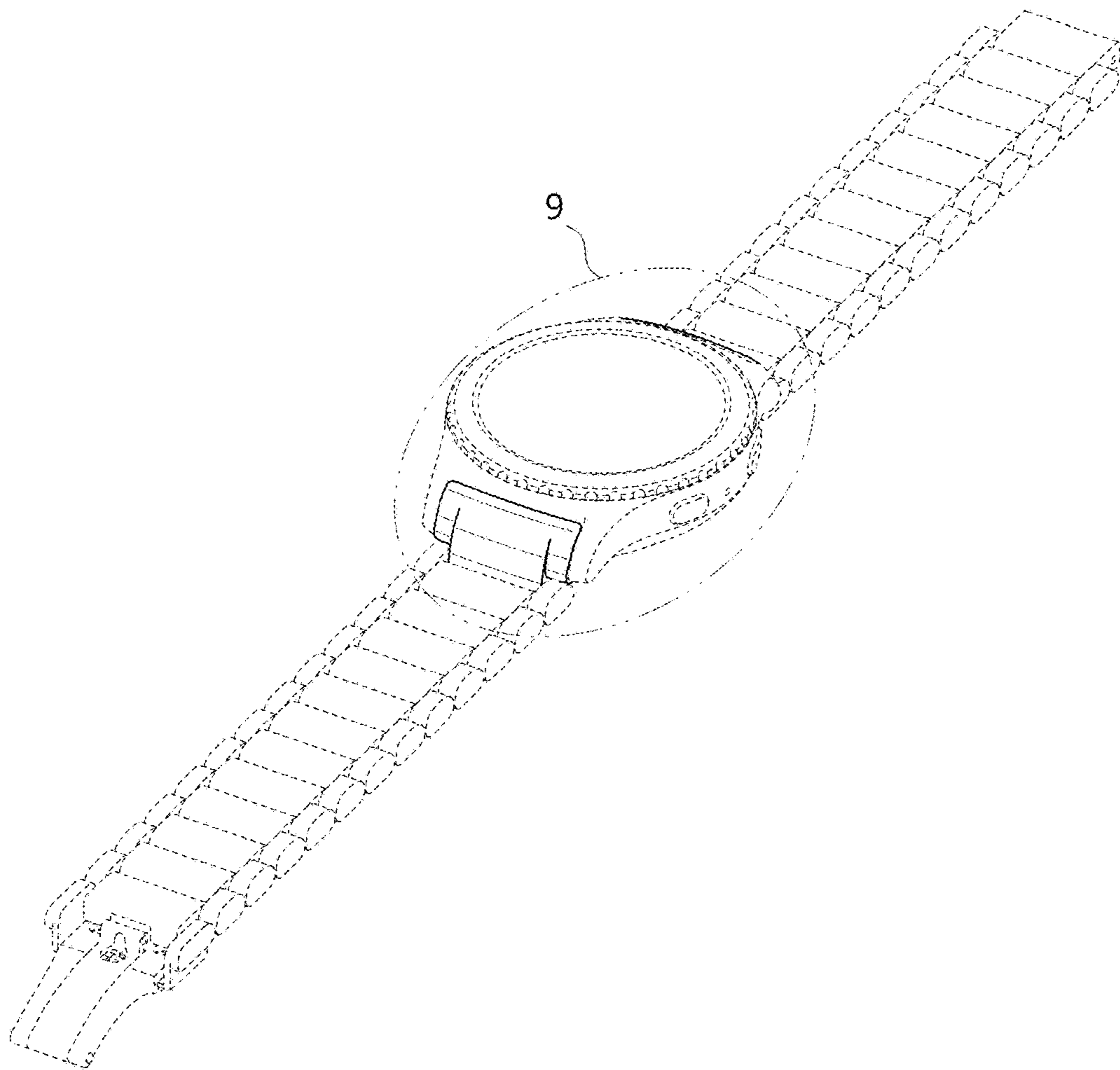


FIG. 2

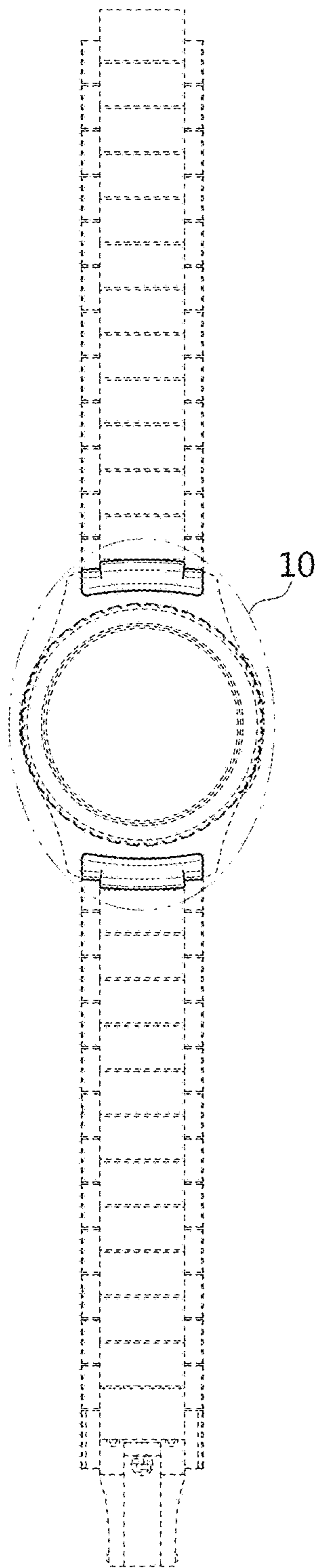


FIG. 3

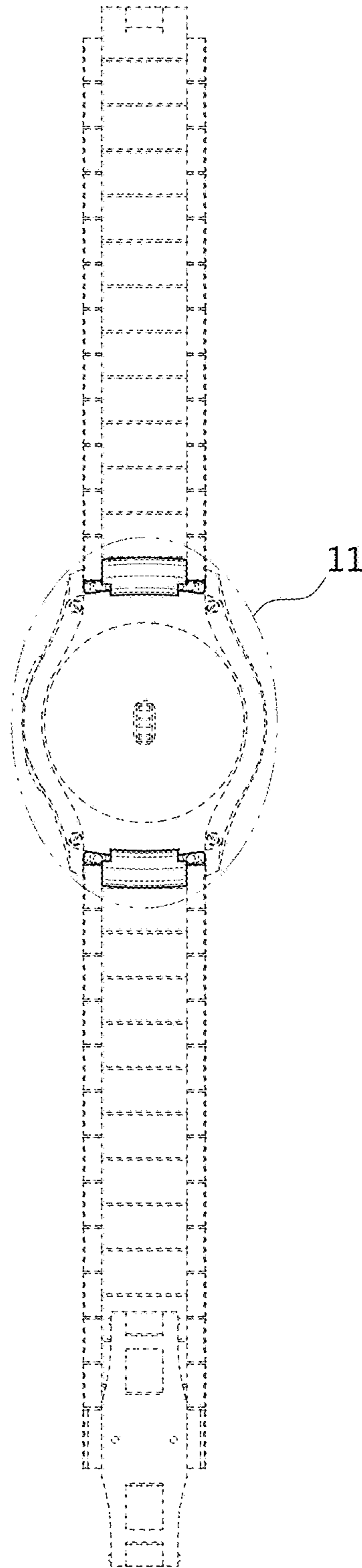


FIG. 4

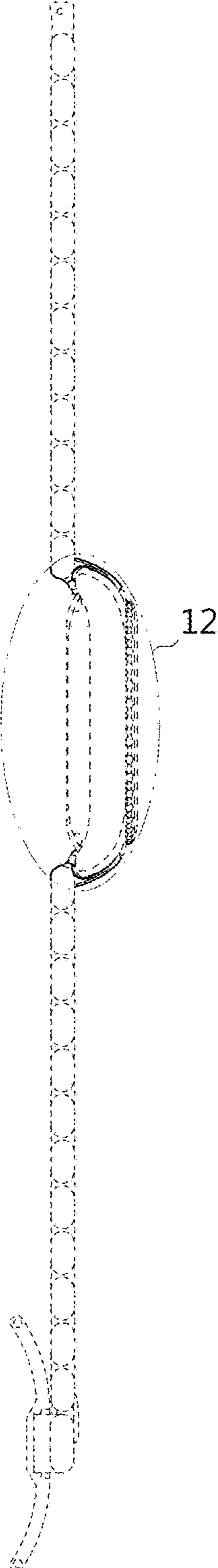


FIG. 5

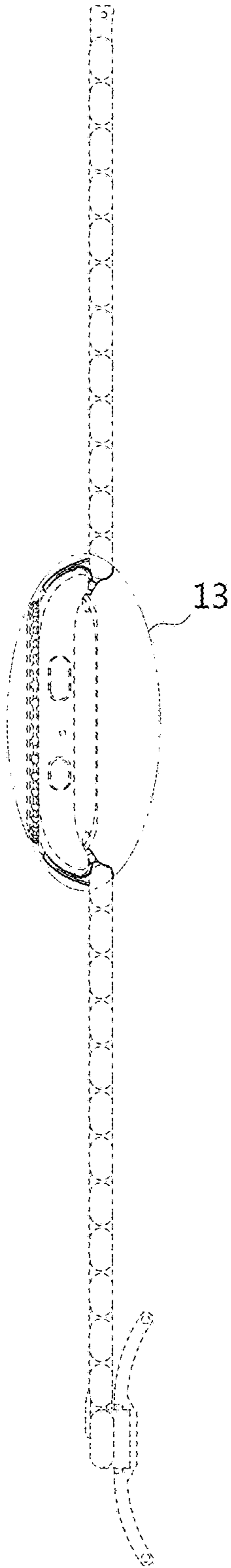


FIG. 6

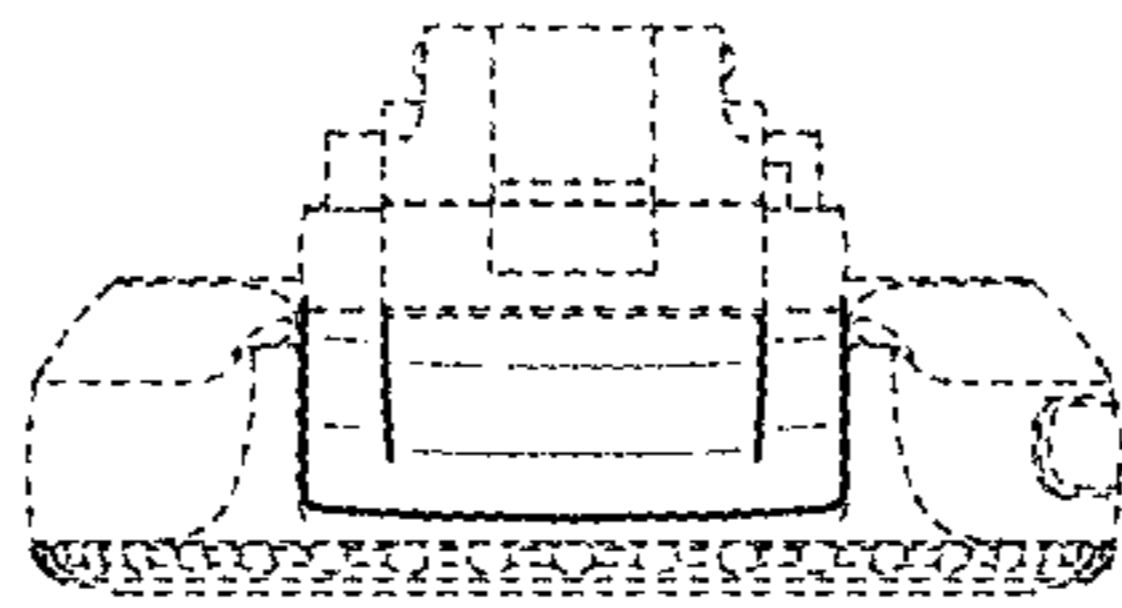




FIG. 7

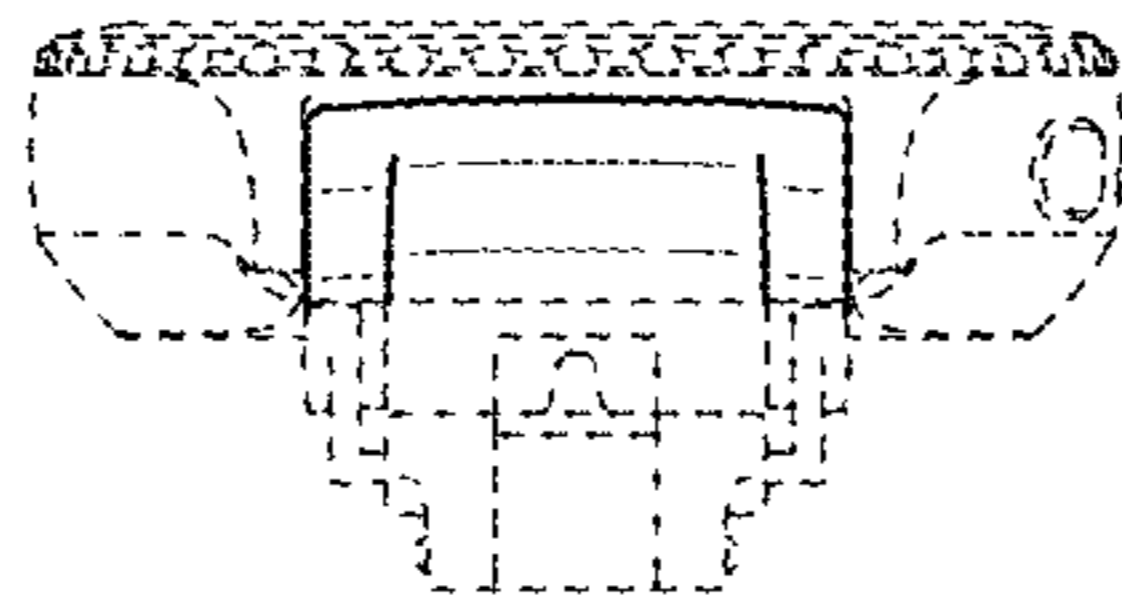


FIG. 8

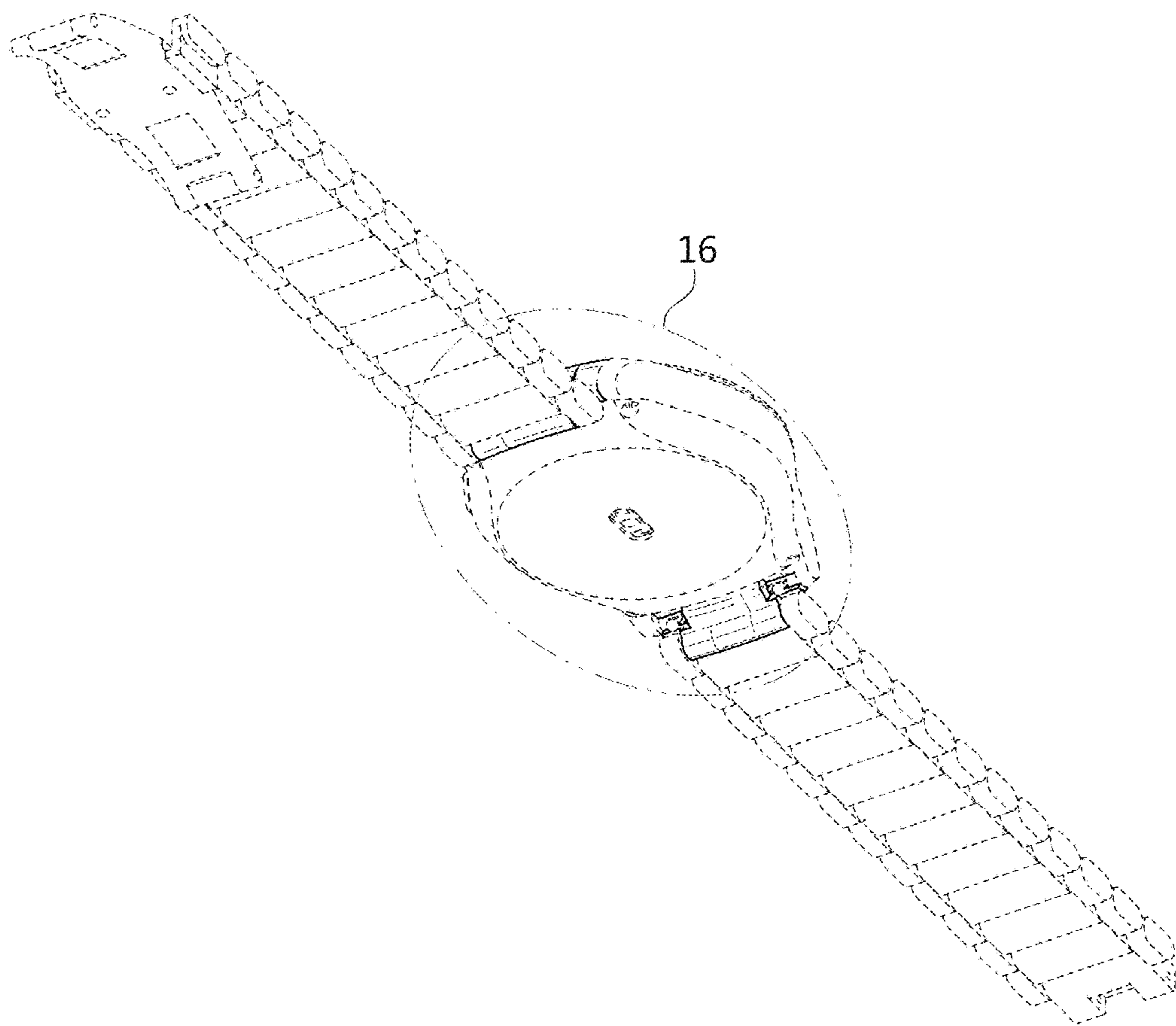


FIG. 9

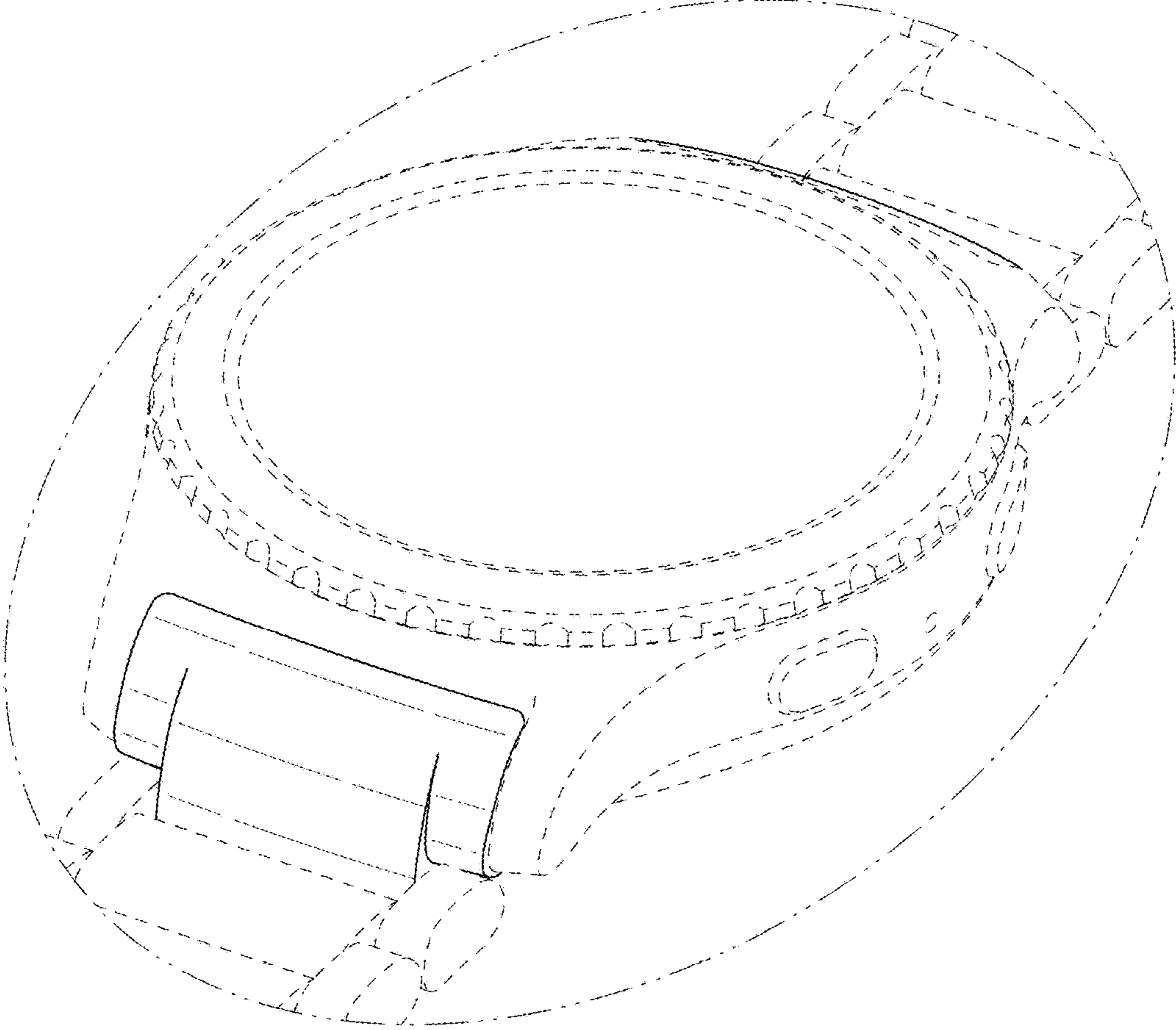


FIG. 10

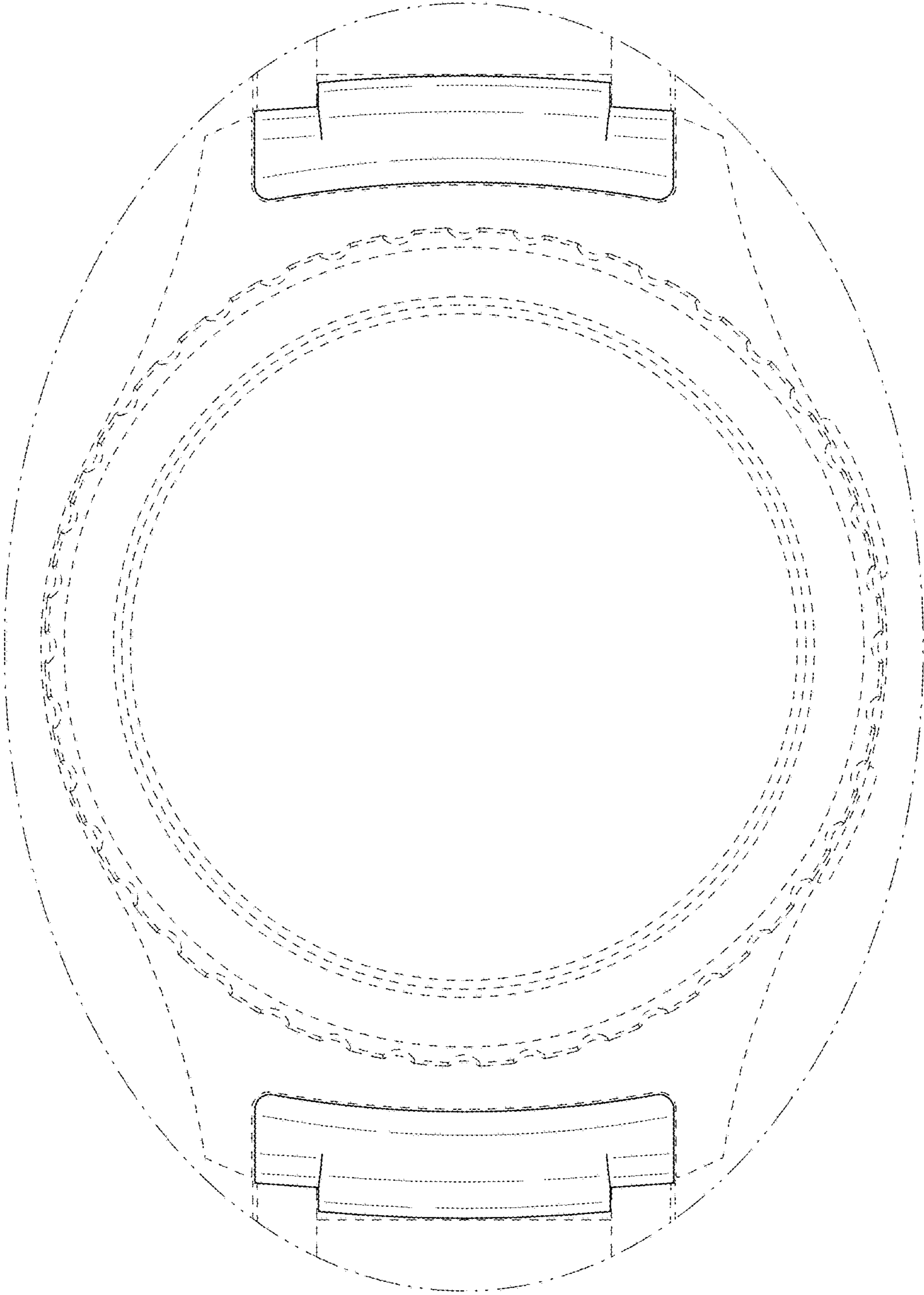


FIG. 11

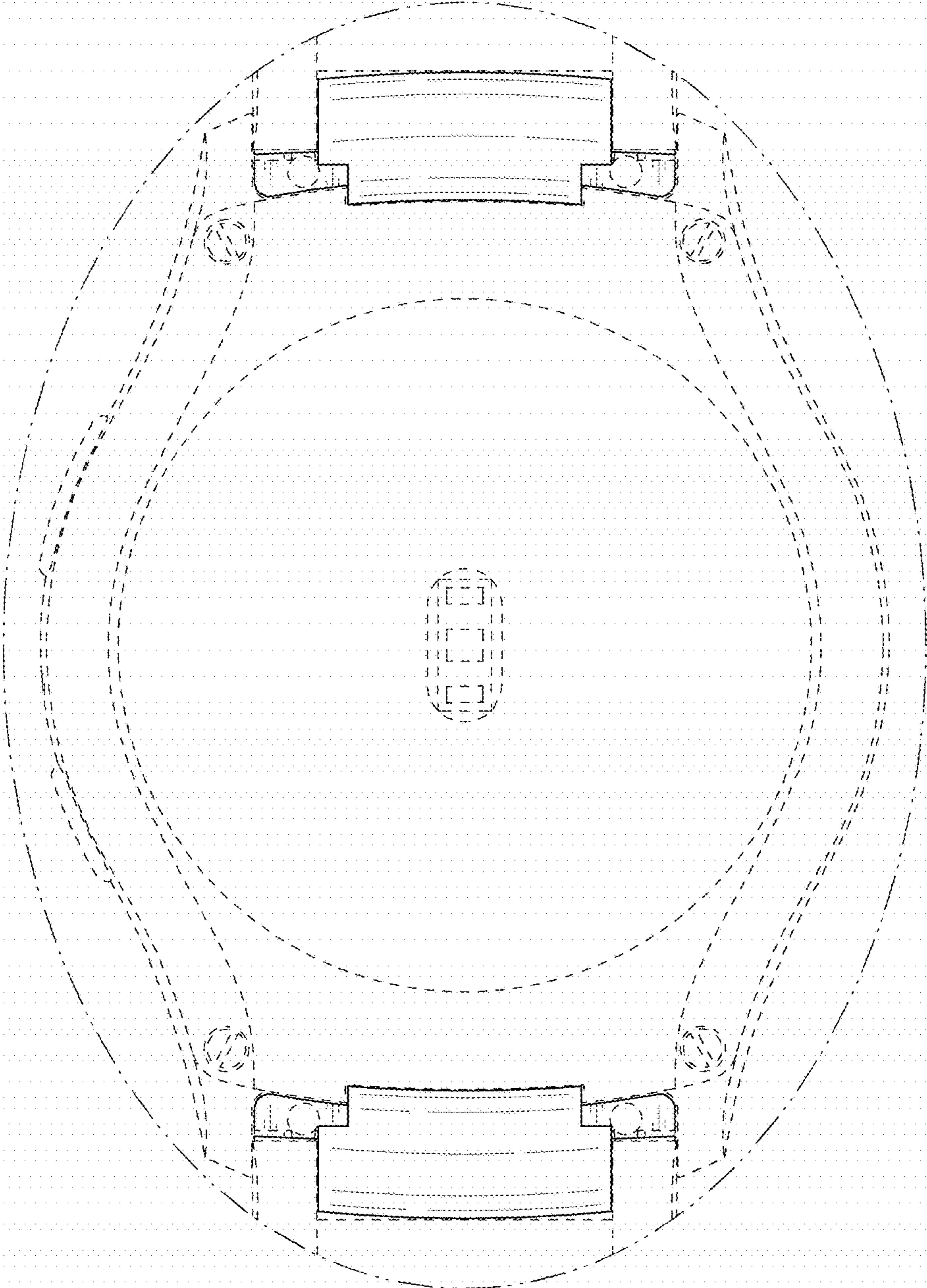


FIG. 12

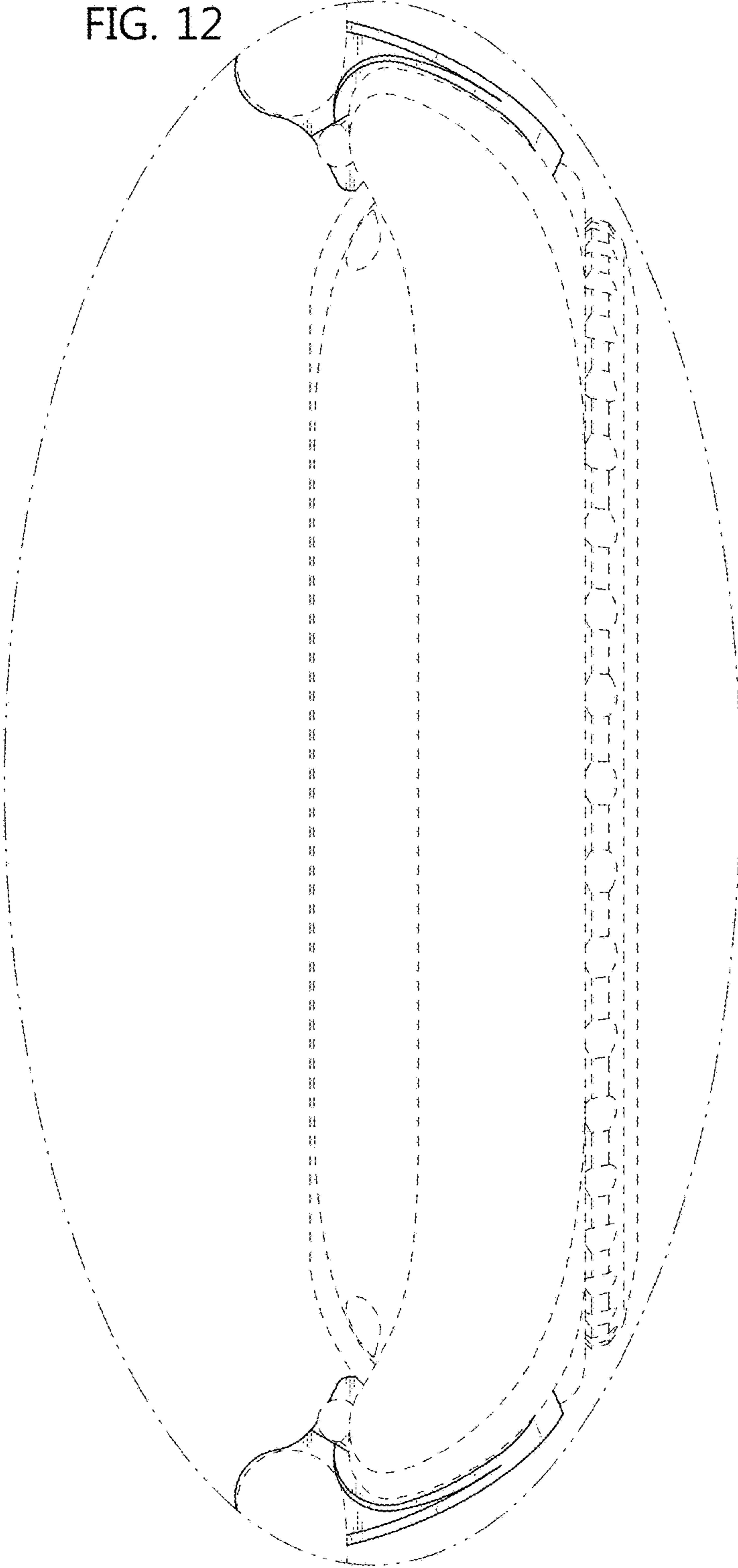


FIG. 13

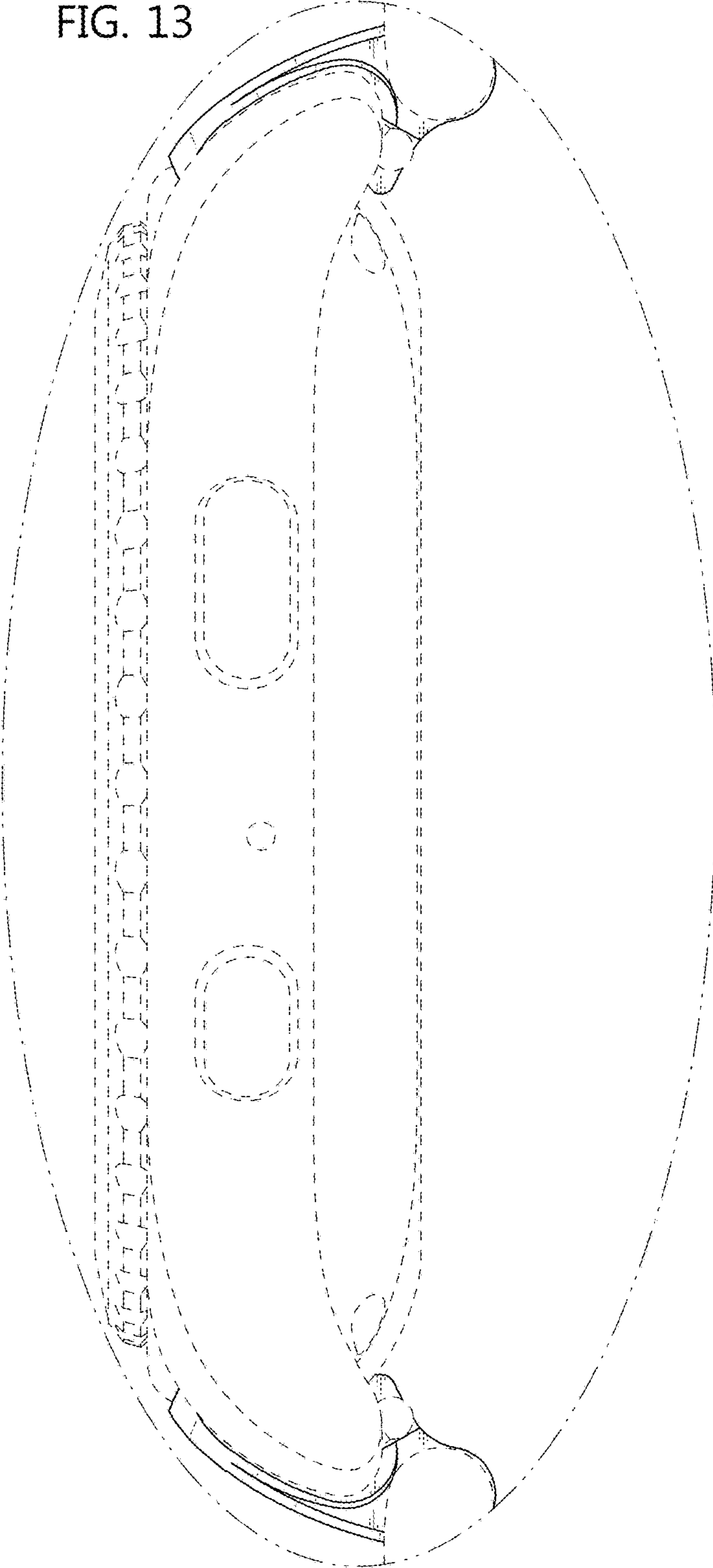


FIG. 14

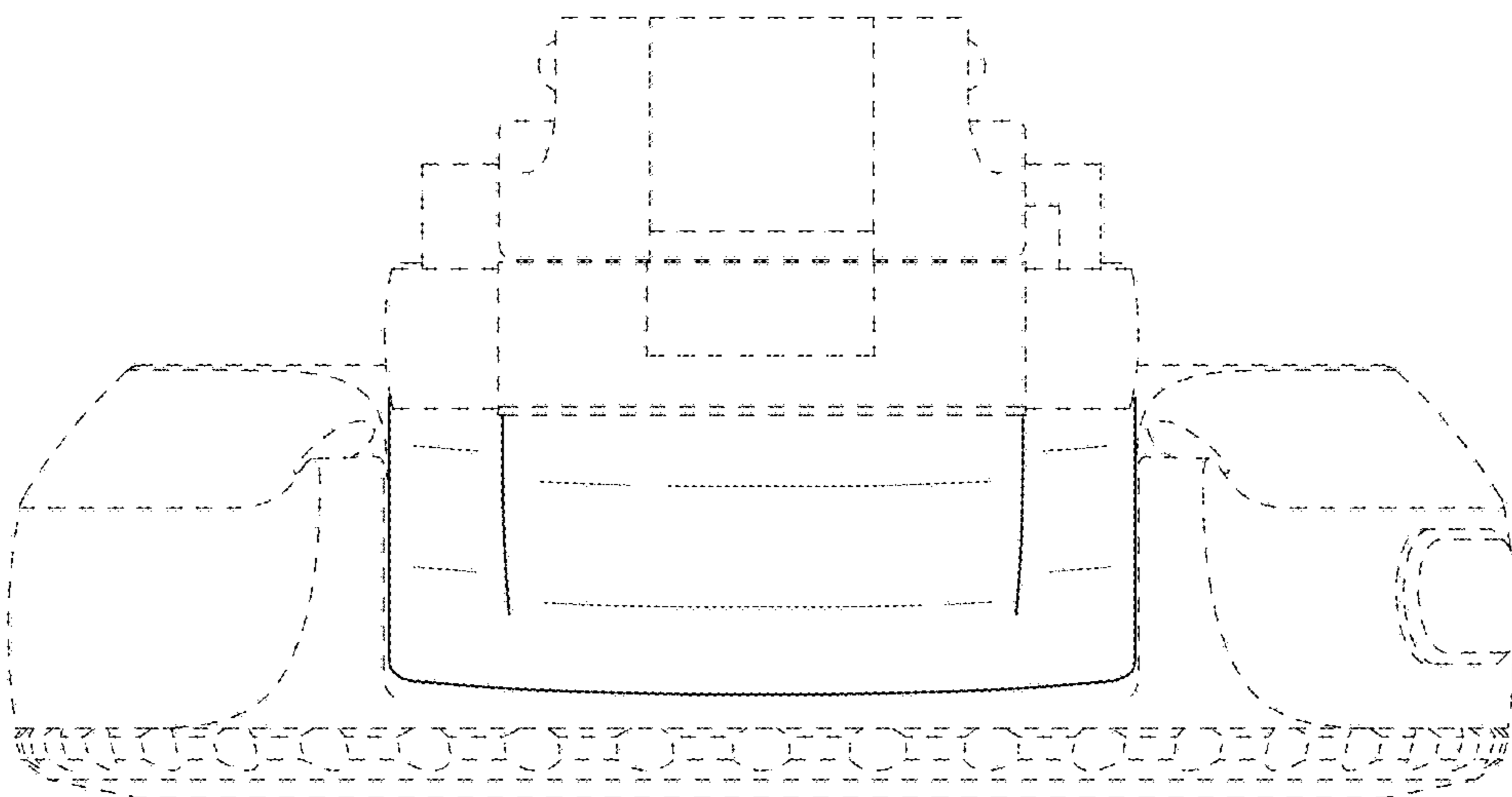




FIG. 15

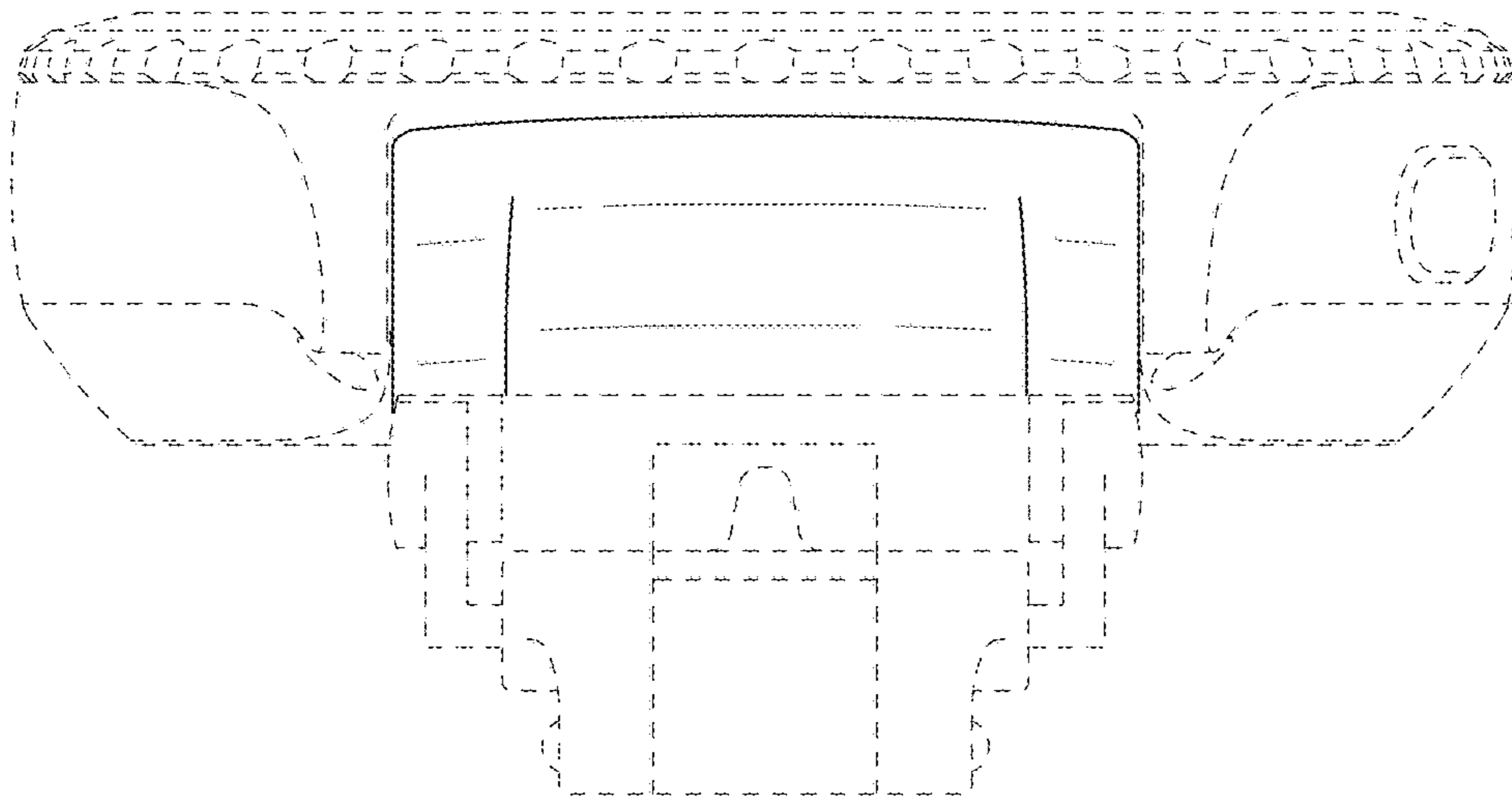


FIG. 16

