

US00D823300S

(12) **United States Design Patent** (10) **Patent No.:** **US D823,300 S**  
**Fountain et al.** (45) **Date of Patent:** **\*\* Jul. 17, 2018**

(54) **MOBILE COMPUTING DEVICE**

(56) **References Cited**

(71) Applicant: **SYMBOL TECHNOLOGIES, LLC**,  
Lincolnshire, IL (US)

U.S. PATENT DOCUMENTS

(72) Inventors: **Mark Thomas Fountain**, London  
(GB); **JaeHo Choi**, Whitestone, NY  
(US); **Carl A. Thelemann**, East Islip,  
NY (US)

D592,084 S *	5/2009	Stevens	.....	D10/65
D611,366 S *	3/2010	Register	.....	D10/65
D622,250 S *	8/2010	Kwon	.....	D14/138 AD
D633,892 S *	3/2011	Chen	.....	D14/138 AD
D637,992 S *	5/2011	Tom	.....	D14/138 G
D641,354 S *	7/2011	Hsu	.....	D14/341
D646,250 S *	10/2011	Han	.....	D14/138 G
D654,462 S *	2/2012	Nara	.....	D14/138 G
D658,617 S *	5/2012	Koh	.....	D14/138 AD
D677,641 S *	3/2013	Sutherland	.....	D14/138 G
D682,245 S *	5/2013	Harmon	.....	D14/138 G
D696,217 S *	12/2013	Luo	.....	D14/138 G
D703,661 S	4/2014	Krause et al.		

(73) Assignee: **Symbol Technologies, LLC**, Holtsville,  
NY (US)

(\*\*) Term: **15 Years**

(Continued)

(21) Appl. No.: **29/590,924**

(22) Filed: **Jan. 13, 2017**

(51) **LOC (11) Cl.** ..... **14-02**

(52) **U.S. Cl.**  
USPC ..... **D14/341**

(58) **Field of Classification Search**

USPC ..... D14/341-347, 125-134, 137, 138 R,  
D14/138 AA, 138 AB, 138 C, 138 G, 147,  
D14/203.1, 203.3, 203.4, 203.7, 218, 247,  
D14/248, 332, 336, 371, 374-377, 388,  
D14/389, 315-318, 420, 426, 429, 440,  
D14/448, 450, 489, 492, 496;  
D6/300-310; D16/241; D18/6; D20/10,  
D20/19, 39; D21/329, 330

CPC . A63H 33/3016; G06F 1/1613; G06F 1/1641;  
G06F 1/1643; G06F 1/1647; G06F  
3/04883; G06F 3/0486; G06F 3/04847;  
G06F 3/04845; G06F 3/0484; G06F  
3/04817; H05K 5/0004; H05K 5/0017;  
H05K 5/02; H05K 5/0217; H04M 1/0279;  
H04M 1/0281; H04M 1/0283; H04N  
13/0459

See application file for complete search history.

OTHER PUBLICATIONS

Support and Downloads > Mobile Computers > Handheld, posted  
2017, [retrieved Sep. 2, 2017]. Retrieved from Internet, <URL:  
<https://www.zebra.com/us/en/support-downloads/mobile-computers/handheld/tc5lhc.html> >.\*

(Continued)

*Primary Examiner* — Barbara Fox  
*Assistant Examiner* — Kristin E Reed

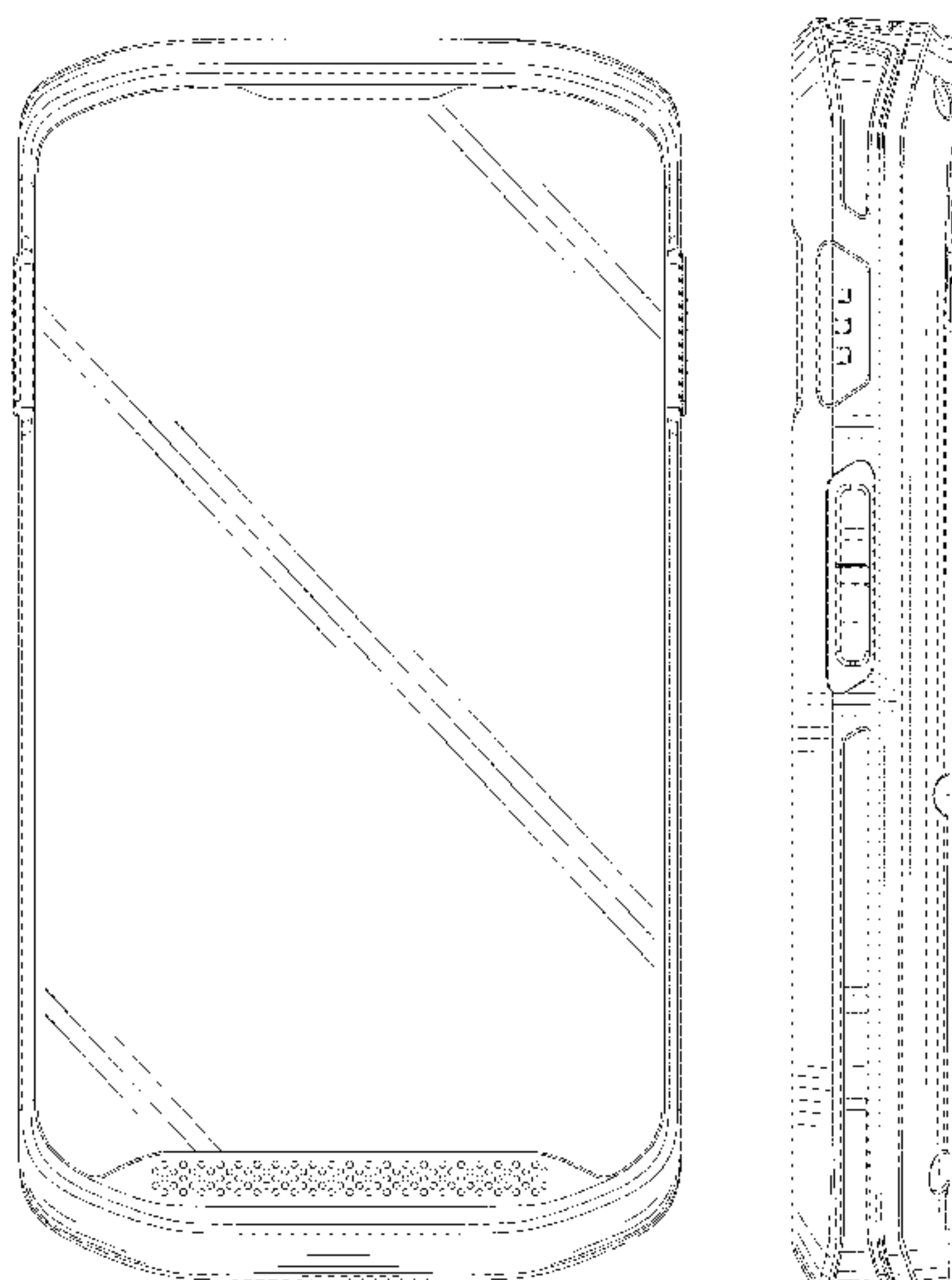
(57) **CLAIM**

We claim the ornamental design for a mobile computing  
device, as shown and described.

**DESCRIPTION**

FIG. 1 is a front perspective view of a mobile computing  
device showing our new design;  
FIG. 2 is a rear perspective view thereof;  
FIG. 3 is a front view thereof;  
FIG. 4 is a back view thereof;  
FIG. 5 is a first side view thereof;  
FIG. 6 is a second side view thereof;  
FIG. 7 is a top view thereof; and,  
FIG. 8 is a bottom view thereof.

**1 Claim, 6 Drawing Sheets**



(56)

**References Cited**

U.S. PATENT DOCUMENTS

D709,503 S     7/2014   Chen et al.  
D721,705 S     1/2015   Lim et al.  
D760,216 S     6/2016   Krause et al.  
9,462,712 B2 \* 10/2016   Wilson ..... H04M 1/185

OTHER PUBLICATIONS

Zebra TC55 pocket-sized, Android rugged mobile computer, posted 2017, [retrieved Sep. 2, 2017]. Retrieved from Internet, <URL: <https://www.thebarcodewarehouse.co.uk/pdas-and-handheld-computers/rugged-pdas/motorola-tc55/#accordion-reviews> >.\*  
Design U.S. Appl. No. 29/581,696, filed Oct. 20, 2016.

\* cited by examiner

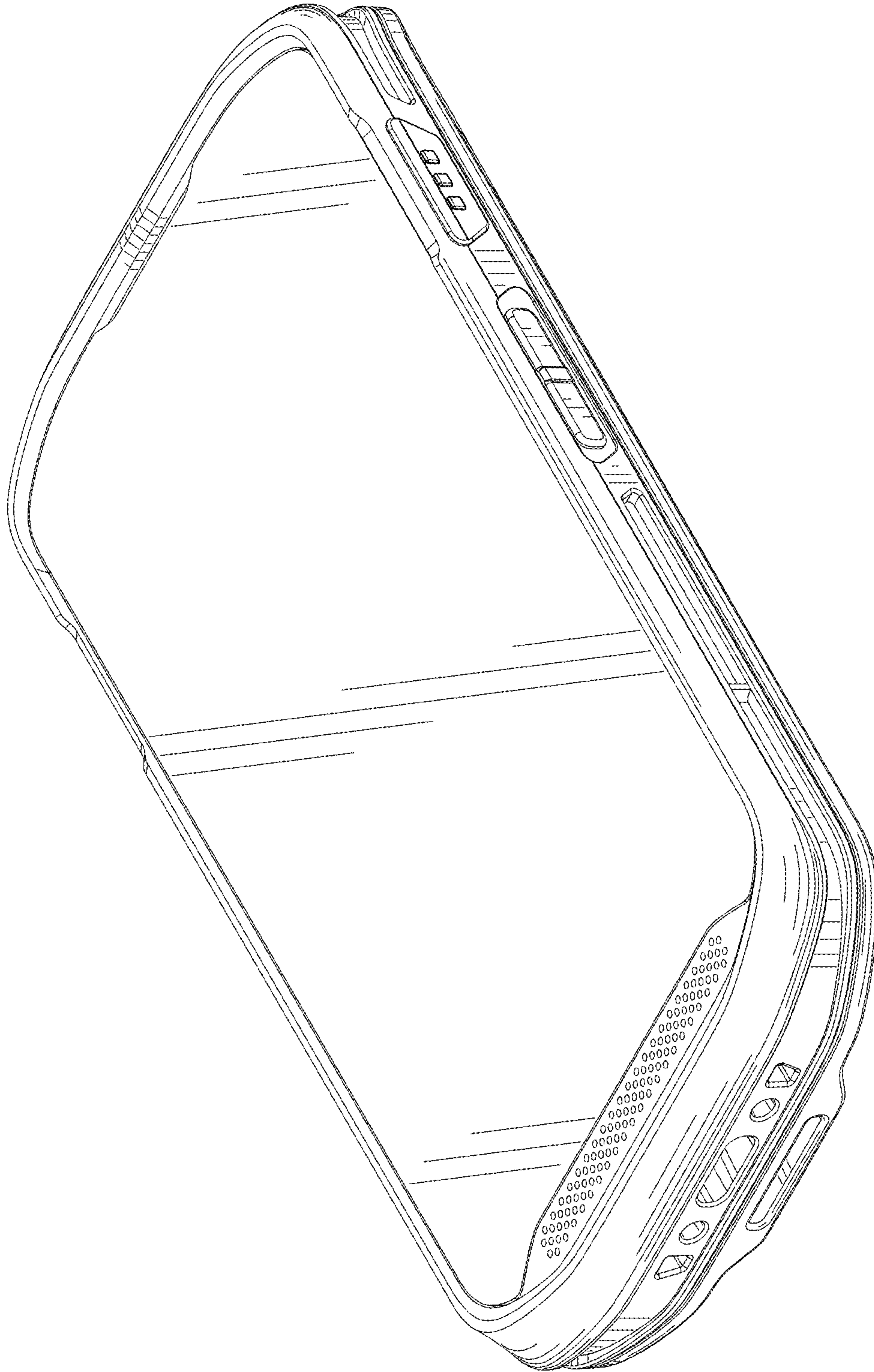


FIG. 1



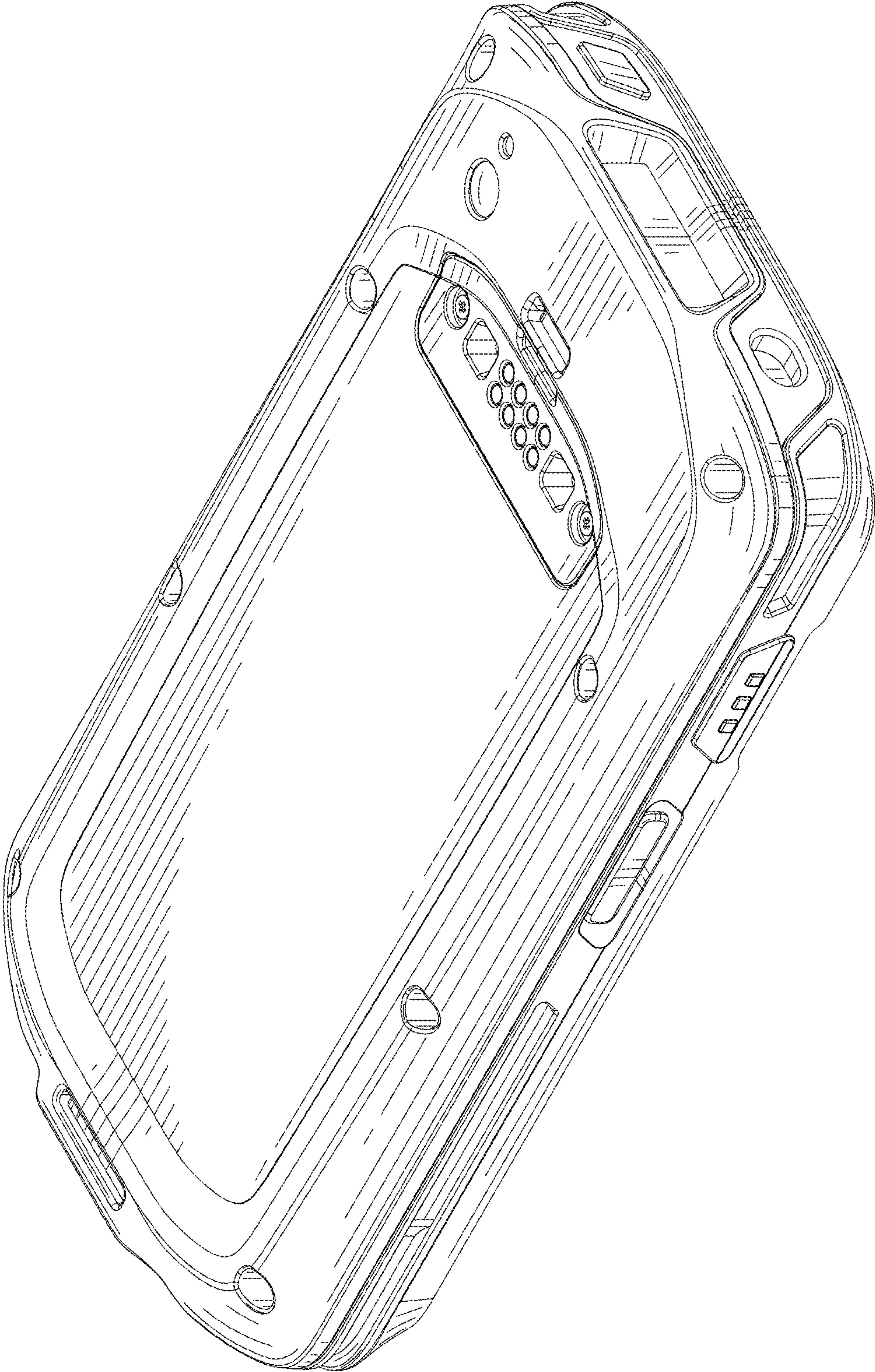


FIG. 2

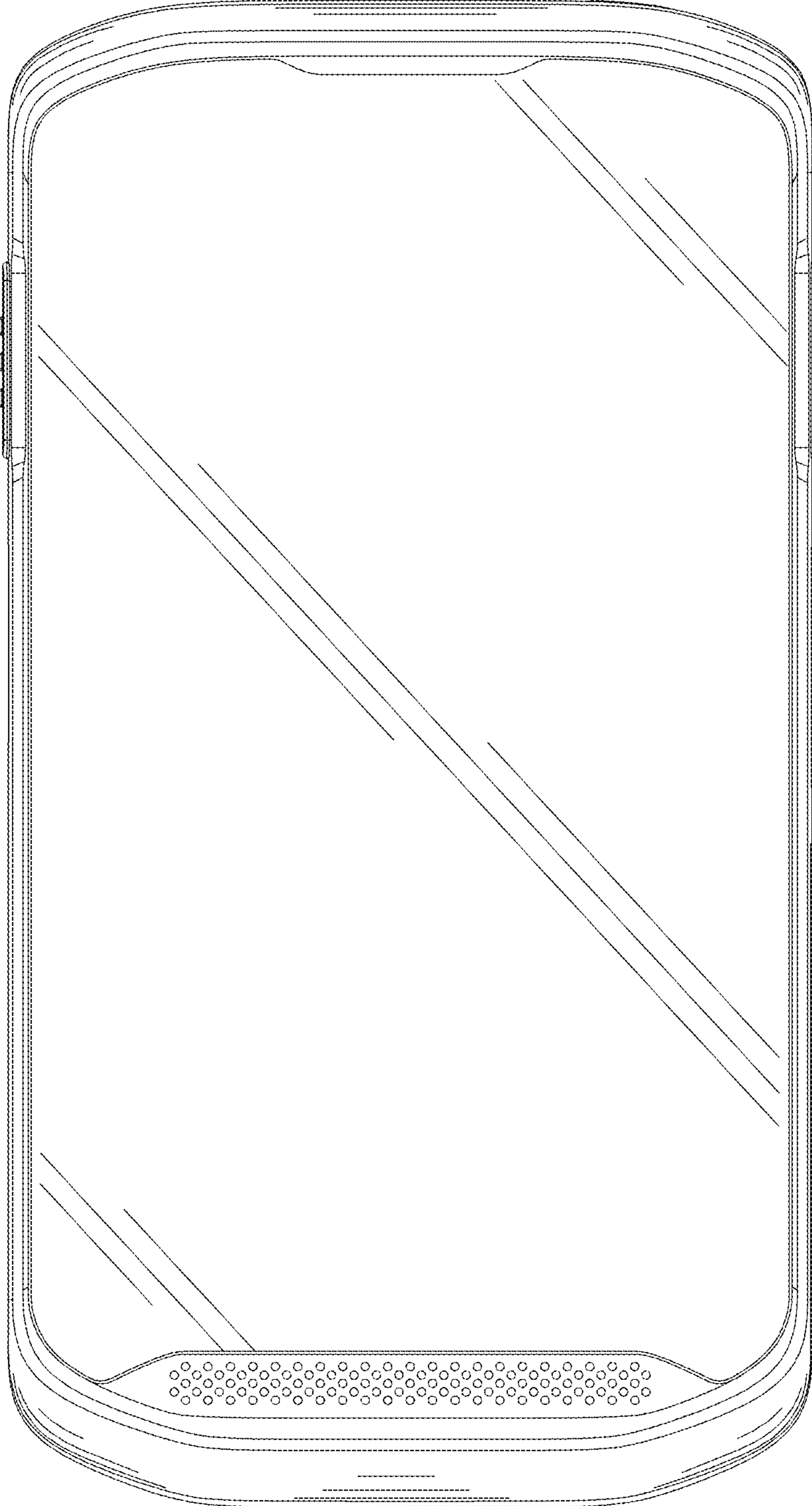


FIG. 3



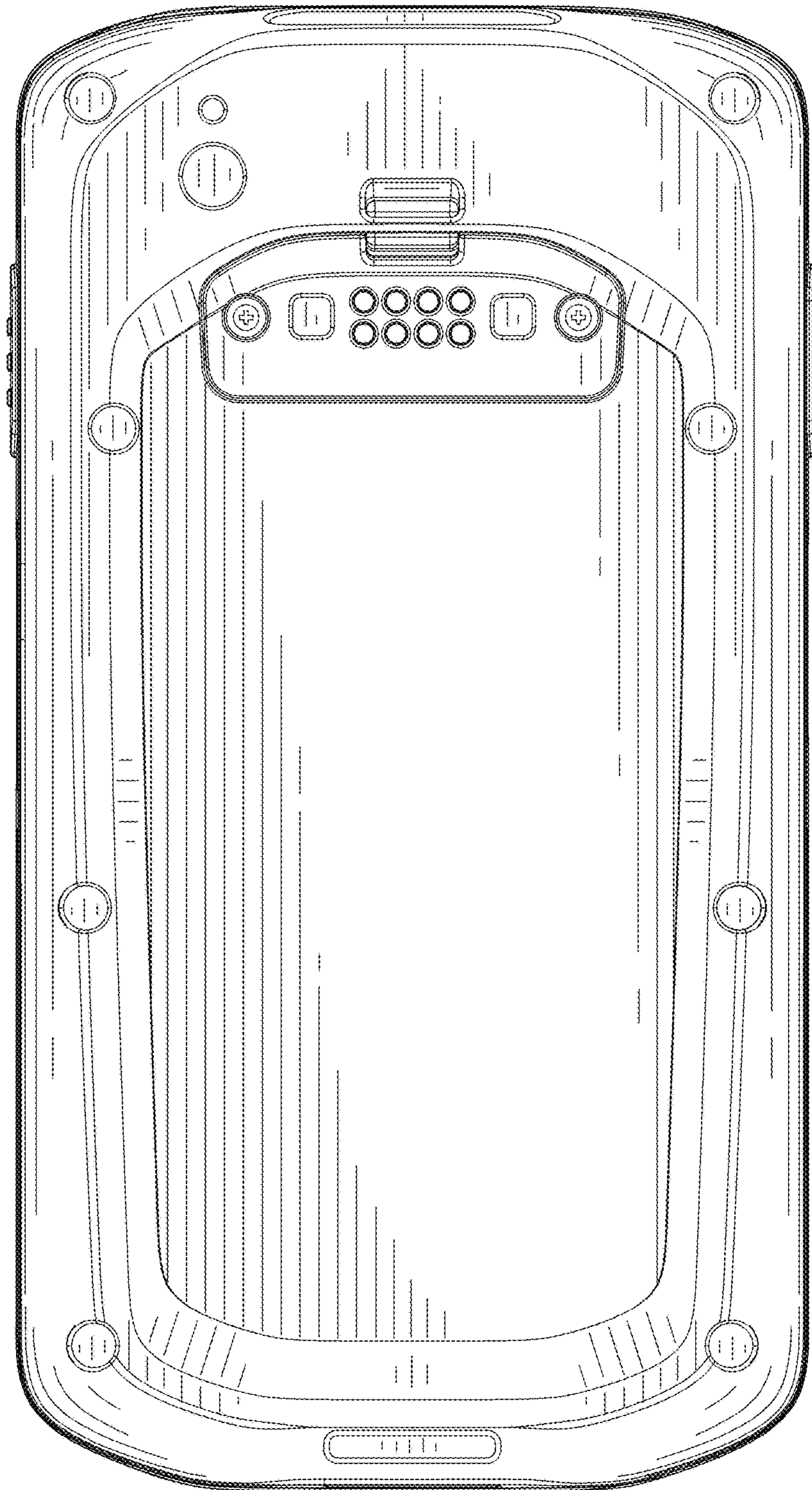


FIG. 4

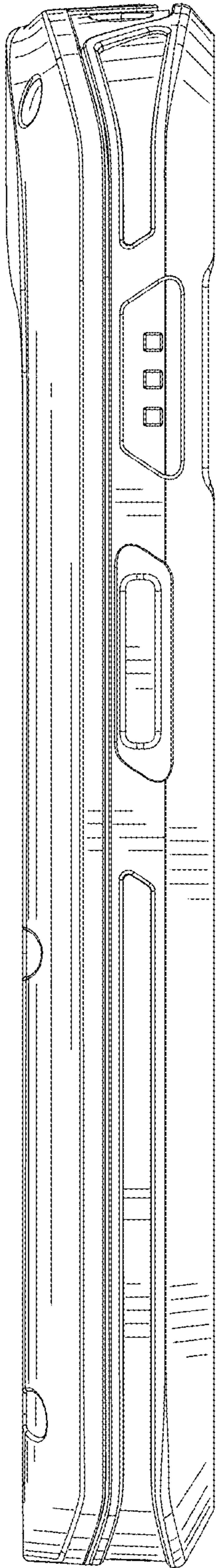


FIG. 5

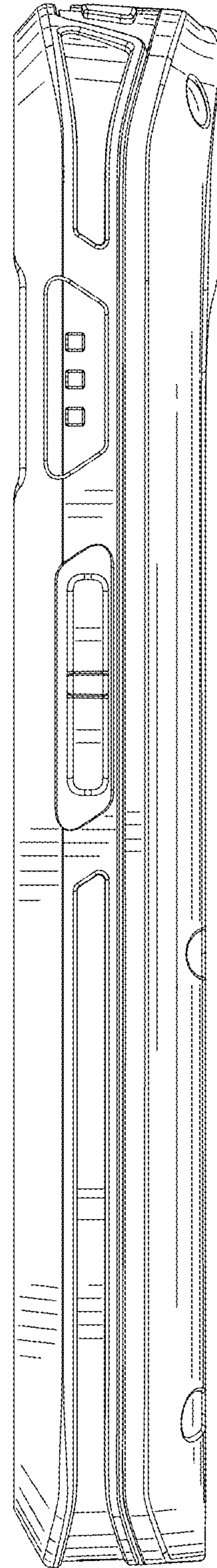


FIG. 6

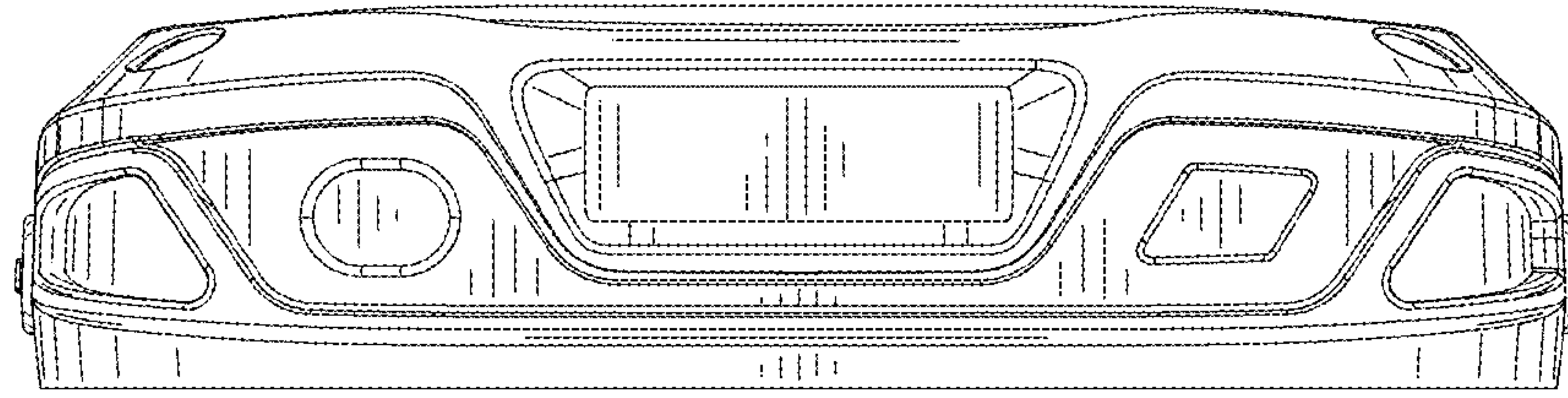


FIG. 7

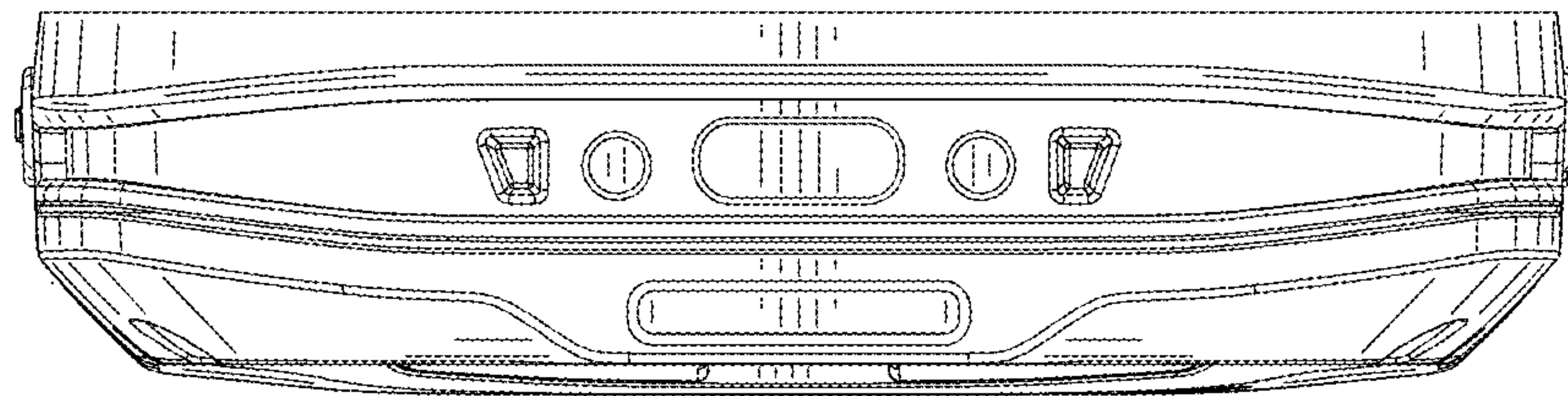


FIG. 8