

US00D823295S

(12) **United States Design Patent**  
**Kim et al.**

(10) **Patent No.:** **US D823,295 S**  
(45) **Date of Patent:** **\*\* Jul. 17, 2018**

(54) **CASE FOR A CELLULAR PHONE**  
(71) Applicant: **MODNE INC.**, Cerritos, CA (US)  
(72) Inventors: **Woo Jin Kim**, Fullerton, CA (US);  
**Judy Jahey Chung**, Anaheim, CA  
(US); **Ki Dong Kwon**, Glendale, CA  
(US); **Tae Hun Kim**, Irvine, CA (US);  
**Hyun Joo Lee**, Fullerton, CA (US); **Joo**  
**Young Yoon**, Seoul (KR); **Hong Jin**  
**Park**, Suwon-si (KR)  
(73) Assignee: **MODNE INC.**, Cerritos, CA (US)  
(\*\*) Term: **15 Years**

D703,199 S \* 4/2014 Smith ..... D14/250  
D707,670 S \* 6/2014 Chang ..... D14/250  
D709,868 S \* 7/2014 Witter ..... D14/250  
D710,346 S \* 8/2014 Smith ..... D14/250  
D716,784 S \* 11/2014 Wen ..... D14/250  
D721,358 S \* 1/2015 Pickett ..... D14/250  
D721,694 S \* 1/2015 Lee ..... D14/250  
D735,182 S \* 7/2015 Watkins ..... D14/250  
D741,844 S \* 10/2015 Rayner ..... D14/250  
D744,995 S \* 12/2015 Lerenthal ..... D14/250  
D746,275 S \* 12/2015 Mohammad ..... D14/250  
D753,099 S \* 4/2016 Kim ..... D14/250  
D756,343 S \* 5/2016 Wall ..... D14/250  
D756,911 S \* 5/2016 Gupta ..... D13/103  
D759,004 S \* 6/2016 Stevinson ..... D14/250

(Continued)

(21) Appl. No.: **29/582,493**  
(22) Filed: **Oct. 28, 2016**  
(51) **LOC (11) Cl.** ..... **14-03**  
(52) **U.S. Cl.**  
USPC ..... **D14/250**  
(58) **Field of Classification Search**  
USPC ..... D3/201, 218, 247, 269, 273, 301, 303;  
D13/103, 107, 108, 119;  
D14/203.3-203.7, 217, 238.1, 247, 248,  
D14/250, 251-253, 269, 273, 301, 303,  
D14/440  
CPC ..... H04B 1/3888; H04M 1/0283; H04M  
1/0202; A45C 1/06; A45C 2011/002;  
A45C 23/02; A45C 11/00; A45F  
2005/028; A45F 2200/0525; A45F  
2200/0516  
See application file for complete search history.

(56) **References Cited**  
U.S. PATENT DOCUMENTS  
D637,591 S \* 5/2011 Willes ..... D14/250  
D638,411 S \* 5/2011 Willes ..... D14/250  
D676,840 S \* 2/2013 Chang ..... D14/250  
D696,239 S \* 12/2013 Murchison ..... D14/250  
D699,715 S \* 2/2014 Fitzgerald ..... D14/250

**OTHER PUBLICATIONS**

10 Best heavy duty iPhone 7 cases, posted at Tufitech.com, posting date Oct. 28, 2016, [online], [site visited Oct. 4, 2017]. Available from Internet, <URL: <https://www.tufitech.com/apple/best-heavy-duty-iphone-7-plus-cases/>> (Year: 2016).\*

*Primary Examiner* — Susan E Krakower  
*Assistant Examiner* — L. A. Grabenstetter

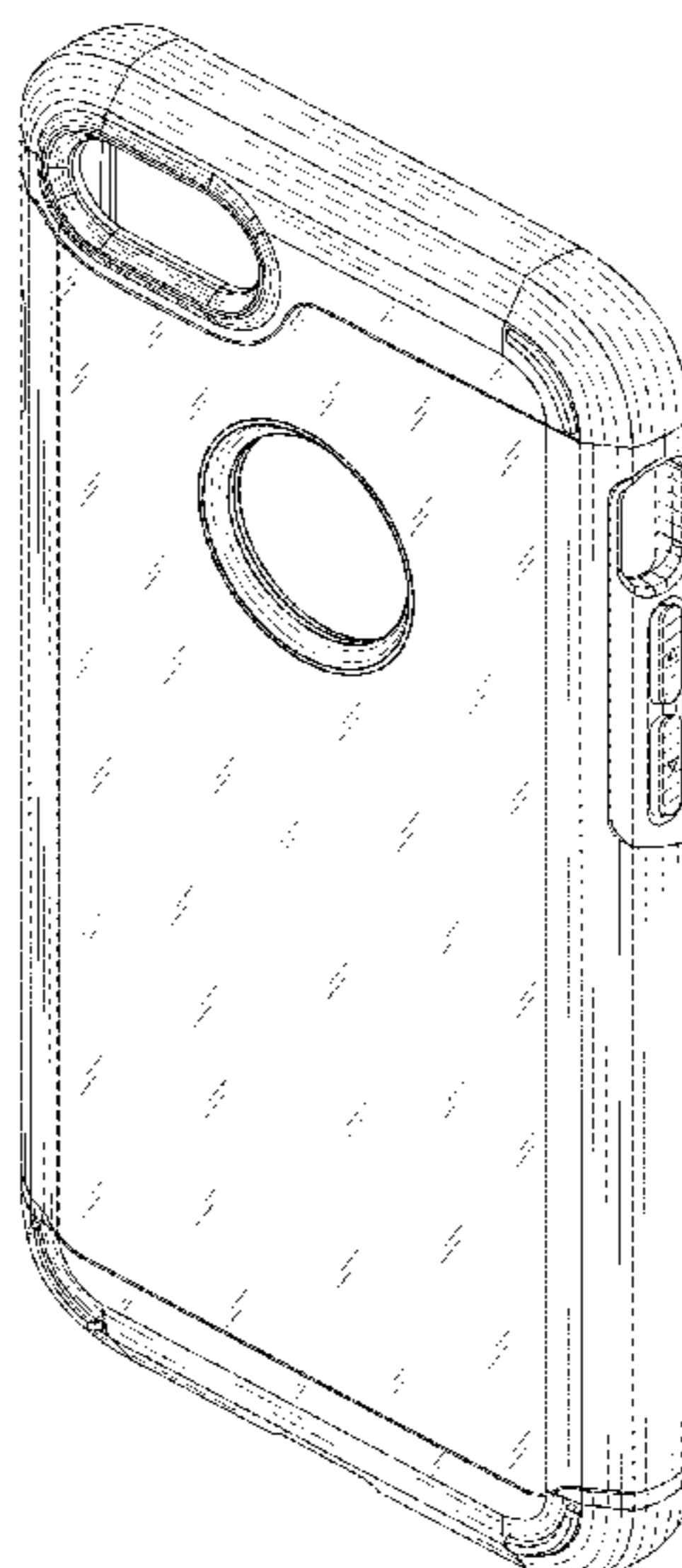
(57) **CLAIM**

The ornamental design for a case for a cellular phone, as shown and described.

**DESCRIPTION**

FIG. 1 is a front perspective view of a case for a cellular phone showing our new design;  
FIG. 2 is a front view thereof;  
FIG. 3 is a rear view thereof;  
FIG. 4 is a left side view thereof;  
FIG. 5 is a right side view thereof;  
FIG. 6 is a top view thereof;  
FIG. 7 is a bottom view thereof; and,  
FIG. 8 is a rear perspective view thereof.

**1 Claim, 7 Drawing Sheets**



(56)

**References Cited**

U.S. PATENT DOCUMENTS

D761,239 S *	7/2016	Kim .....	D14/250
D763,841 S *	8/2016	Kim .....	D14/250
D763,842 S *	8/2016	Chang .....	D14/250
D765,632 S *	9/2016	Northrup .....	D14/250

\* cited by examiner

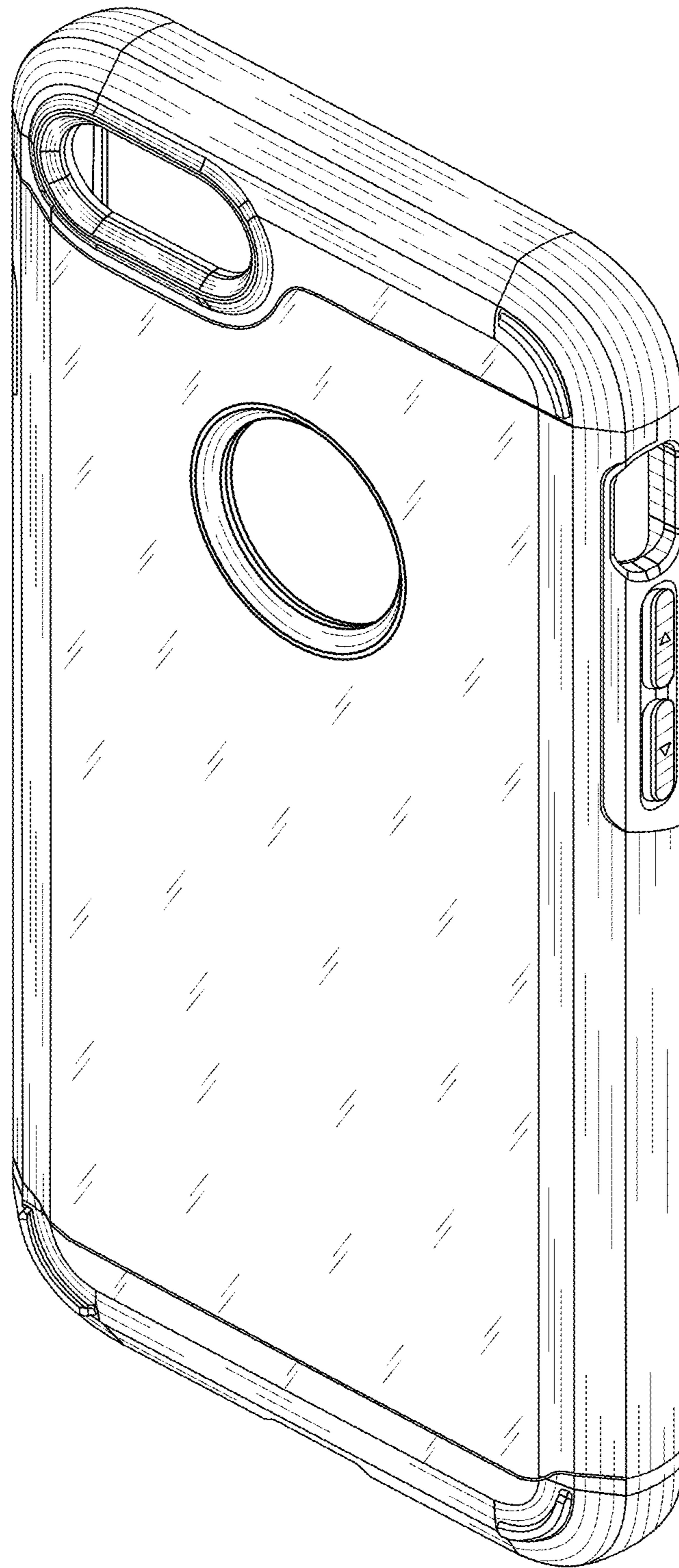


FIG. 1

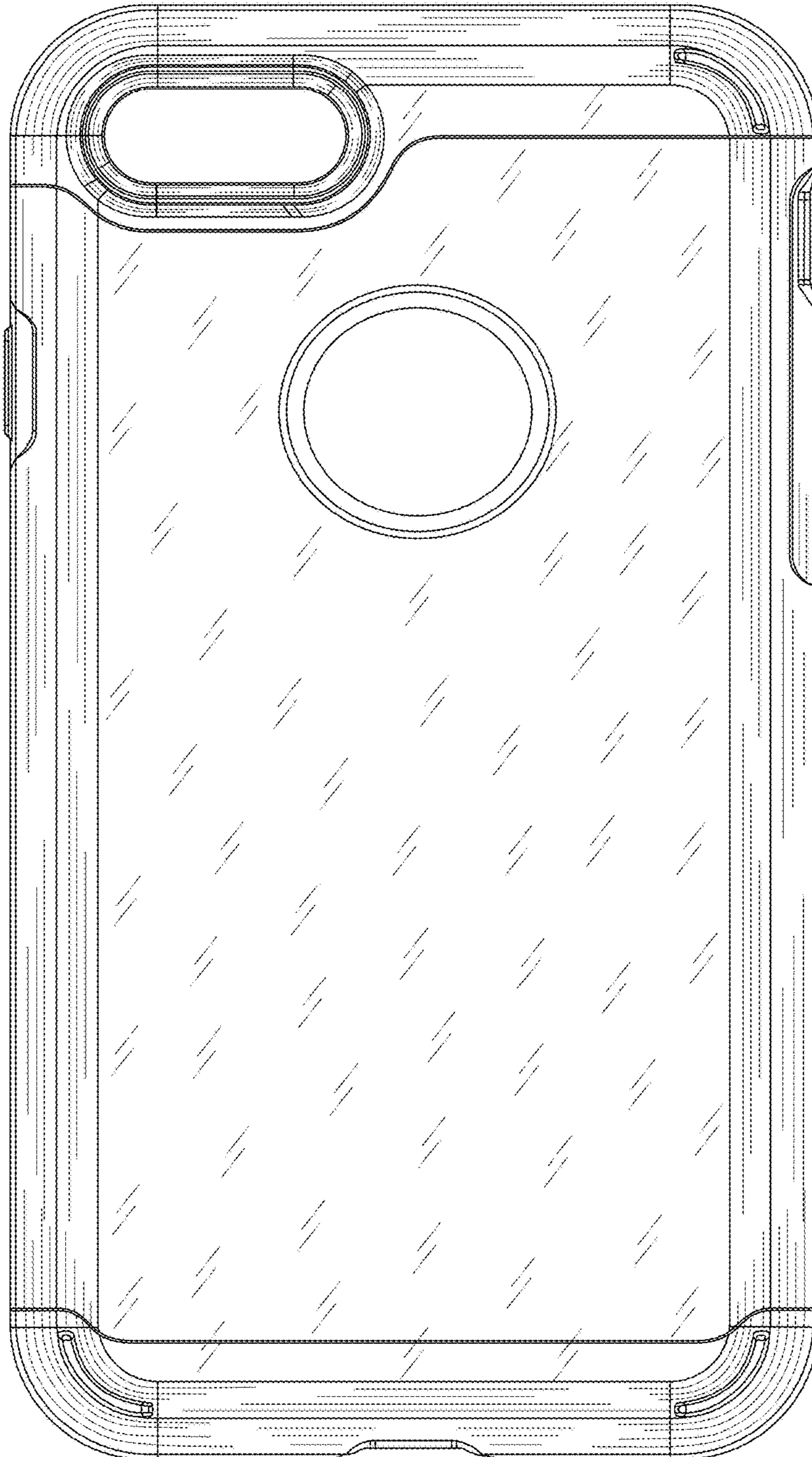


FIG. 2

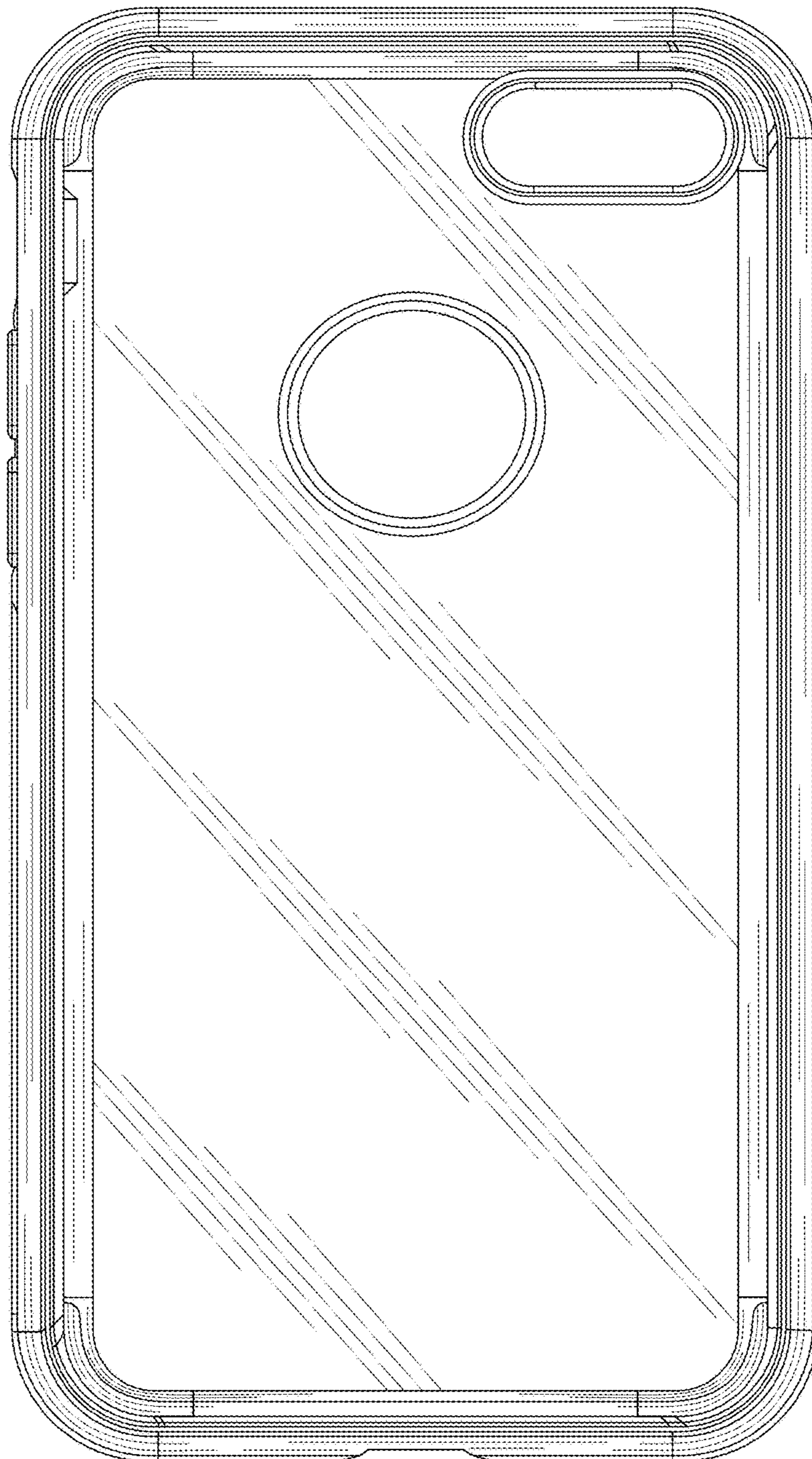


FIG. 3

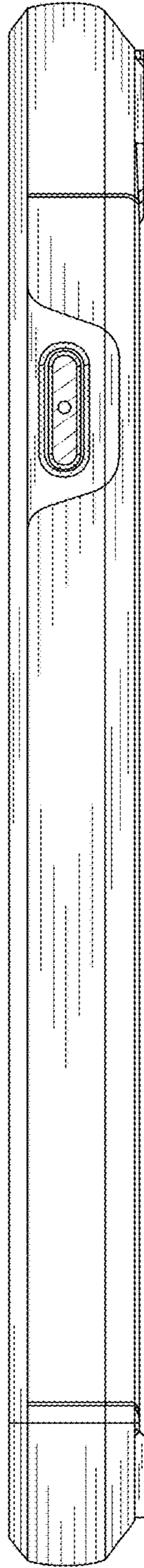


FIG. 4

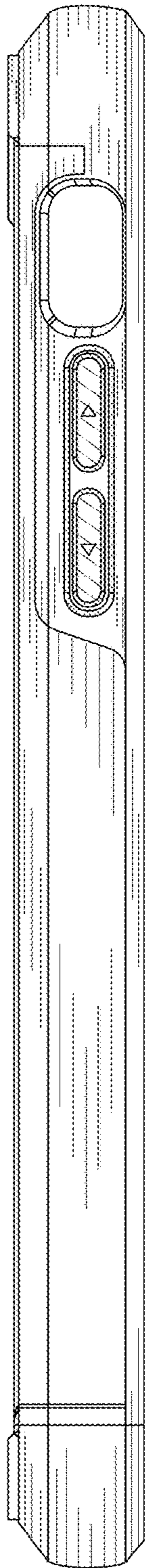


FIG. 5

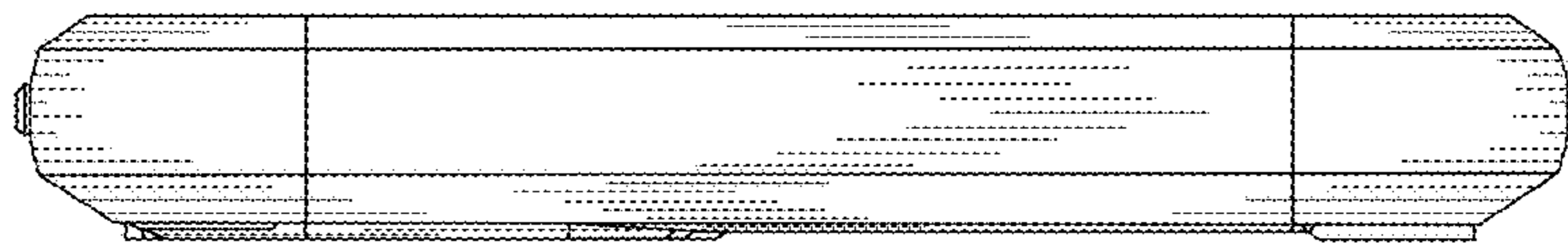


FIG. 6

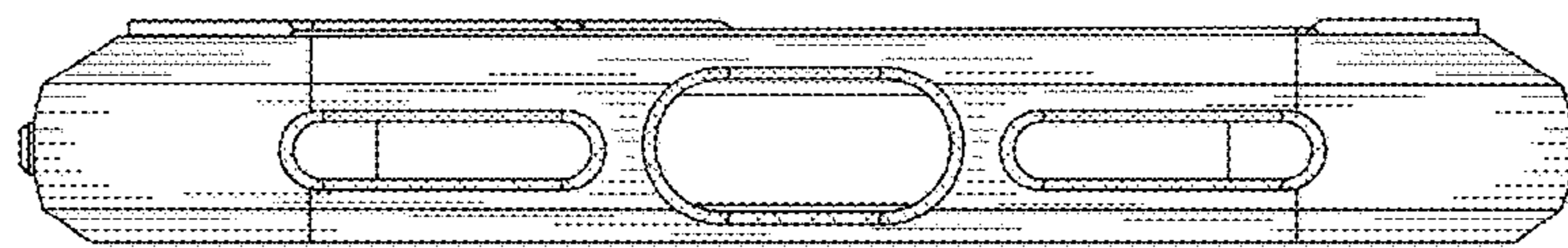


FIG. 7



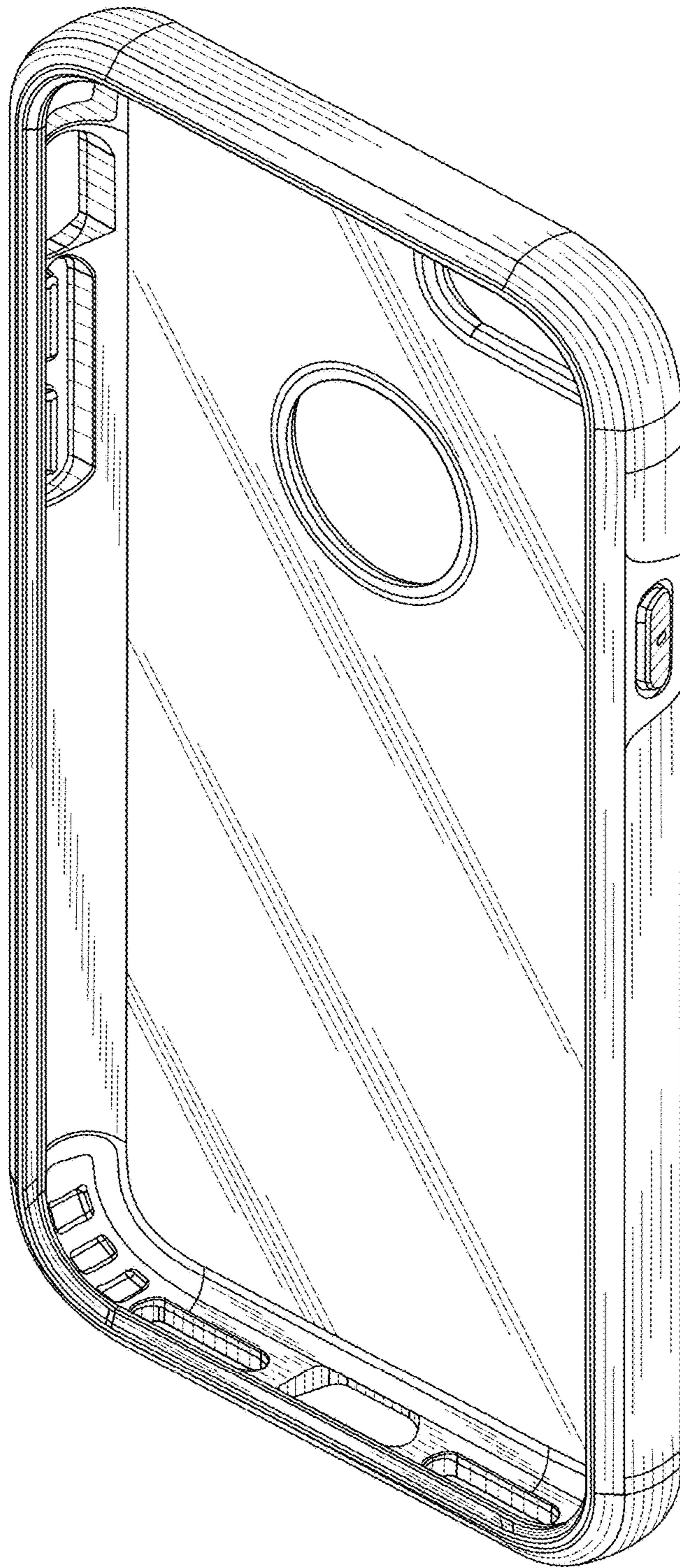


FIG. 8