



US00D823292S

(12) **United States Design Patent** (10) **Patent No.:** **US D823,292 S**
Li (45) **Date of Patent:** **** Jul. 17, 2018**

(54) **MOBILE PHONE CASE WITH INTEGRAL VIRTUAL REALITY 3D VIEWER**

(71) Applicant: **SUN SCALE (SZ) MANUFACTURING LIMITED,**
Guangdong (CN)

(72) Inventor: **Joseph Li,** Guangdong (CN)

(**) Term: **15 Years**

(21) Appl. No.: **29/581,872**

(22) Filed: **Oct. 24, 2016**

(30) **Foreign Application Priority Data**

Sep. 26, 2016 (CN) 2016 3 0482738

(51) **LOC (11) Cl.** **14-03**

(52) **U.S. Cl.**
USPC **D14/250; D16/309**

(58) **Field of Classification Search**
USPC D3/201, 218, 232, 233, 239, 242,
D3/245-247, 250, 251, 269, 273, 301,
D3/303; D13/103, 107, 108, 119;
D14/137, 138 R, 138 AA, 138 C, 138 G,
D14/172, 203.3-203.7, 217, 204, 209.1,
D14/215, 218, 221, 238.1, 247, 248, 250,
D14/251-253, 372, 440, 496; D16/300,
D16/309
CPC H04B 1/3888; H04M 1/0283; H04M
1/0202; A45C 1/06; A45C 2011/002;
A45C

(Continued)

(56) **References Cited**

U.S. PATENT DOCUMENTS

D317,404 S * 6/1991 Schuster D16/302
D377,364 S * 1/1997 Dinges D16/304
D662,965 S * 7/2012 Carlow D16/309

(Continued)

OTHER PUBLICATIONS

The Figment iPhone case is also a VR viewer, posted at Theverge.com, posting date Nov. 17, 2015, [online], [site visited Dec. 14, 2017]. Available from Internet, <URL: https://www.theverge.com/2015/11/17/9748832/figment-vr-phone-case-360-degree-video-kickstarter>.*

Primary Examiner — Susan E Krakower

Assistant Examiner — L. A. Grabenstetter

(74) *Attorney, Agent, or Firm* — Prakash Nama; Global IP Services, PLLC

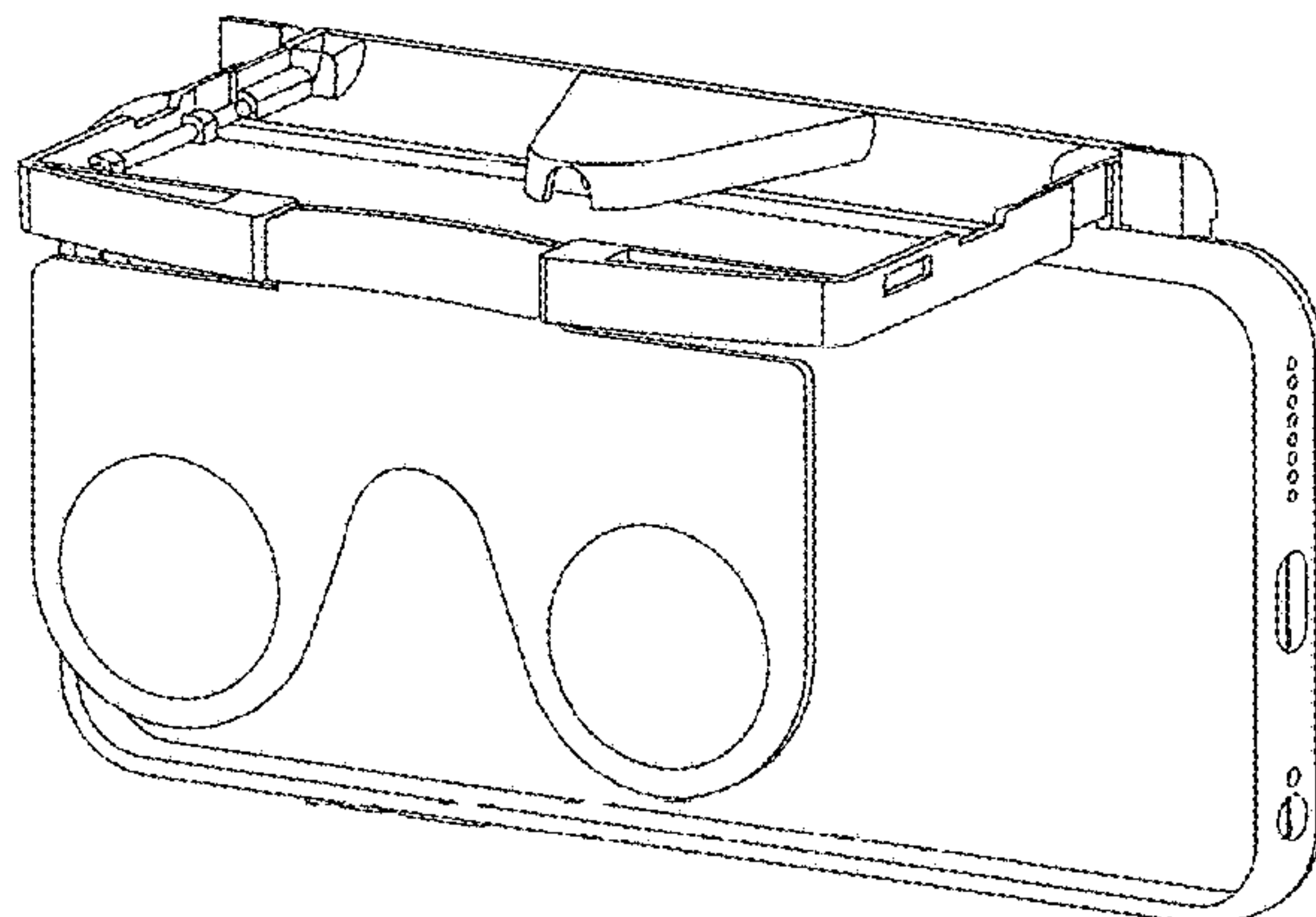
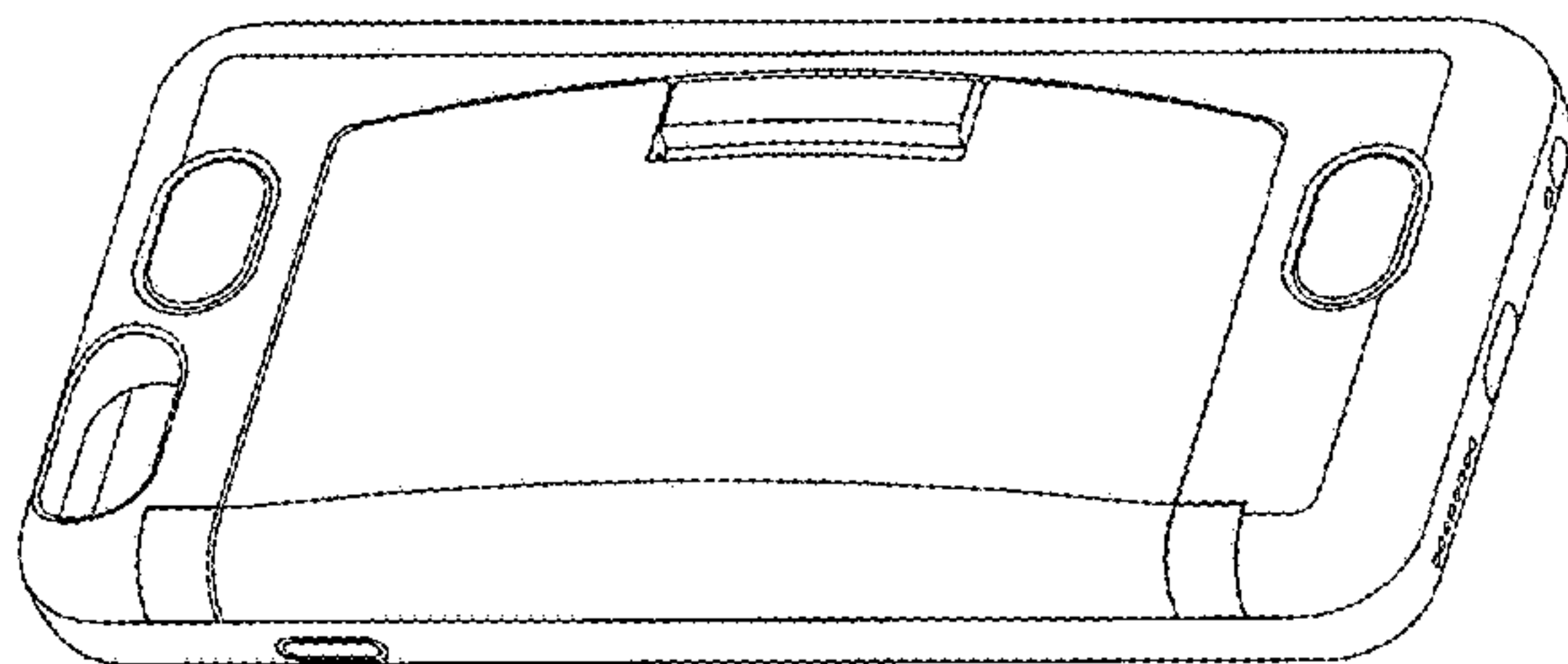
(57) **CLAIM**

The ornamental design for a mobile phone case with integral virtual reality 3D viewer, as shown and described.

DESCRIPTION

FIG. 1 is a front elevational view of a mobile phone case with integral virtual reality 3D viewer showing my new design, wherein the virtual reality glasses are in a stowed condition within the mobile phone case;
FIG. 2 is a rear elevational view thereof;
FIG. 3 is a left side view thereof;
FIG. 4 is a right side view thereof;
FIG. 5 is a top plan view thereof;
FIG. 6 is a bottom plan view thereof;
FIG. 7 is a perspective view thereof;
FIG. 8 is another perspective view thereof;
FIG. 9 is a second front elevational view of the mobile phone case with integral virtual reality 3D viewer of FIG. 1, wherein the virtual reality glasses are shown in an unfolded condition;
FIG. 10 is a rear elevational view thereof;
FIG. 11 is a left side view thereof;
FIG. 12 is a right side view thereof;
FIG. 13 is a top plan view thereof;
FIG. 14 is a bottom plan view thereof;
FIG. 15 is a perspective view thereof; and,
FIG. 16 is another perspective view thereof.
The broken lines shown form no part of the claimed design.

1 Claim, 8 Drawing Sheets



(58) **Field of Classification Search**

CPC 23/02; A45C 11/00; A45F 2005/028; A45F
2200/0525; A45F 2200/0518

See application file for complete search history.

(56) **References Cited**

U.S. PATENT DOCUMENTS

D697,503	S	*	1/2014	Melanson	D14/250
D719,945	S	*	12/2014	Chiang	D14/250
D719,952	S	*	12/2014	Kim	D14/372
D725,379	S	*	3/2015	Dixon	D3/218
D727,318	S	*	4/2015	Garcia Marin	D14/372
D739,395	S	*	9/2015	Kim	D14/250
D741,939	S	*	10/2015	Chang	D14/250
D749,583	S	*	2/2016	Luckey	D14/372
D752,570	S	*	3/2016	Akana	D14/250
D754,652	S	*	4/2016	Roberts	D14/250
D756,985	S	*	5/2016	Akana	D14/250
D757,820	S	*	5/2016	Leopardi	D14/203.3
D765,075	S	*	8/2016	Rochat	D14/372
D765,757	S	*	9/2016	Katopis	D16/309

* cited by examiner

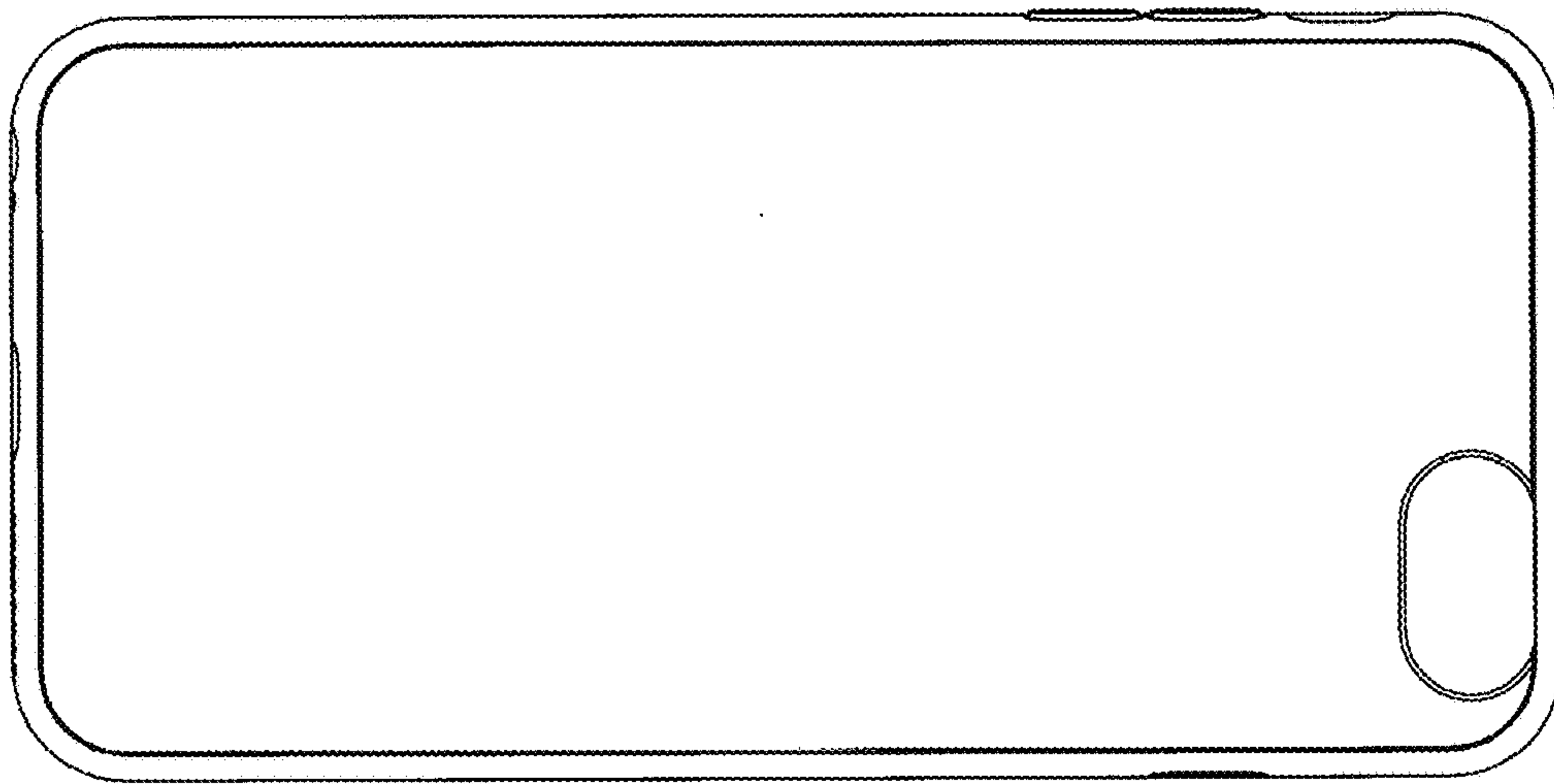


FIG. 1

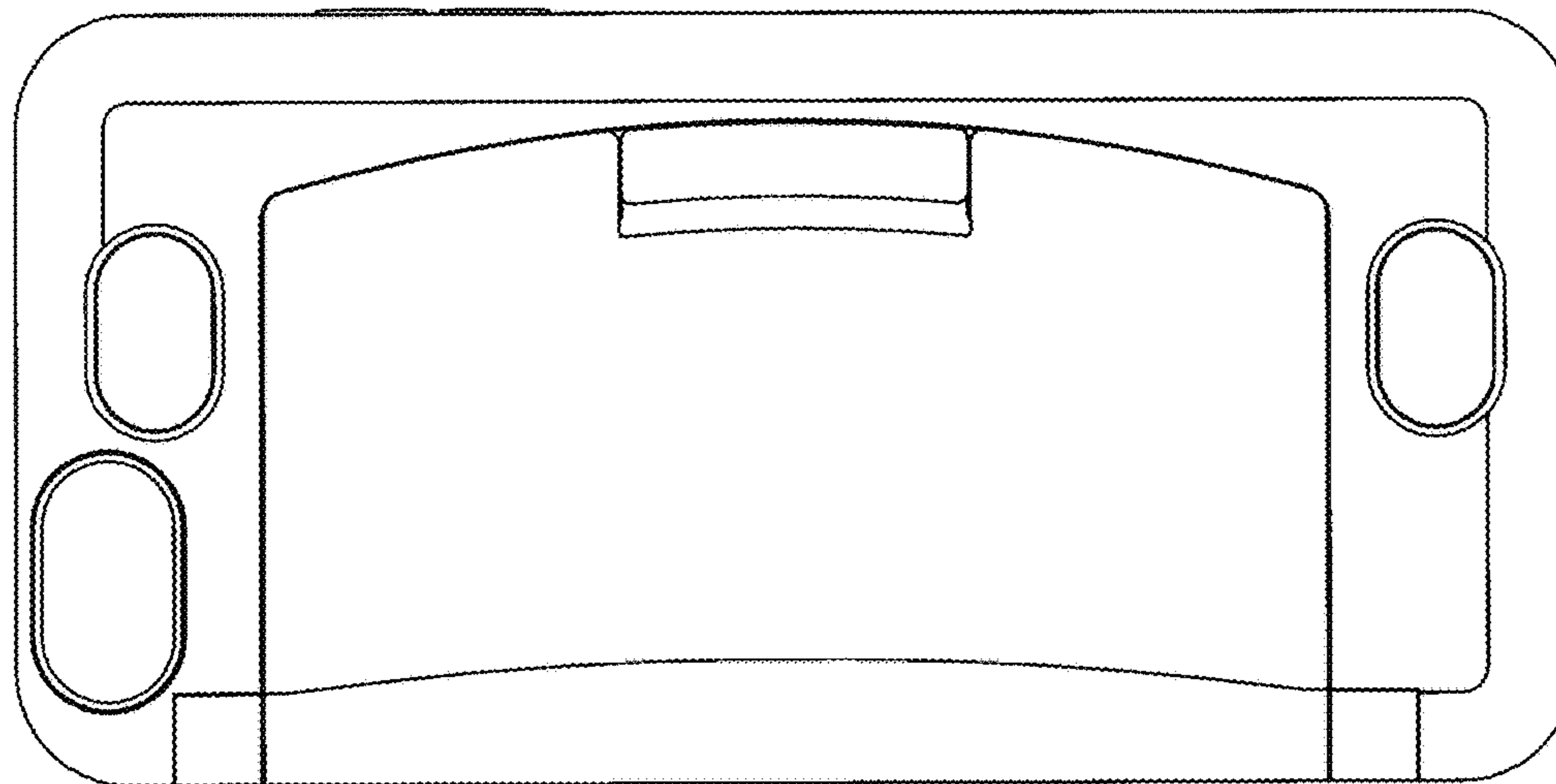


FIG. 2

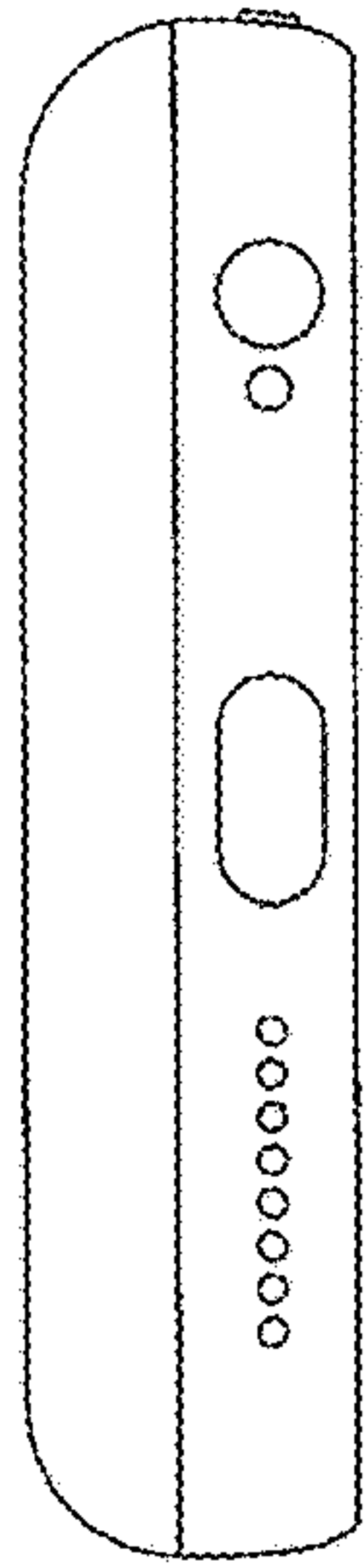


FIG. 3

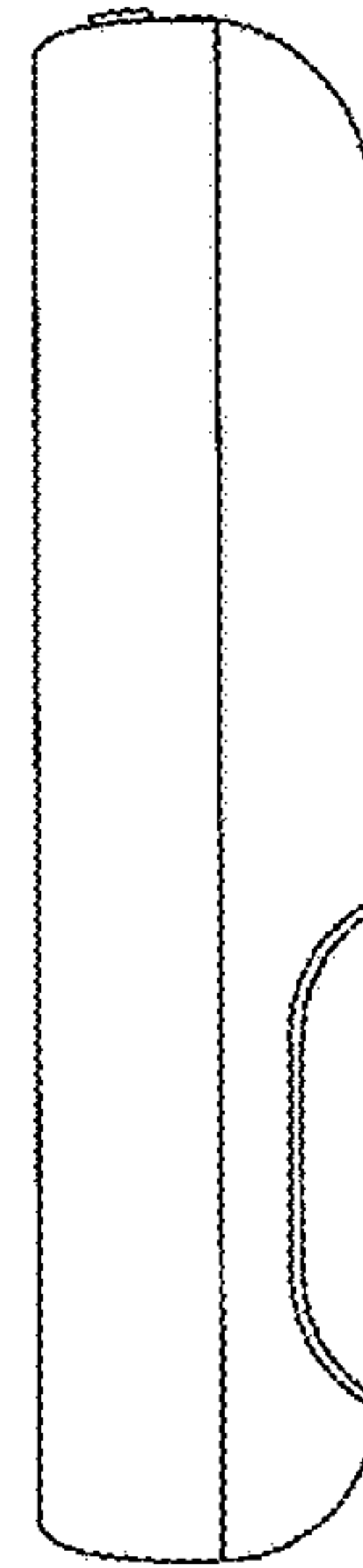


FIG. 4

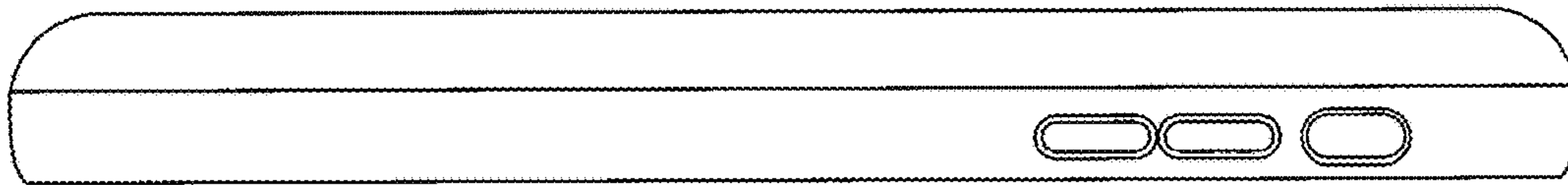


FIG. 5

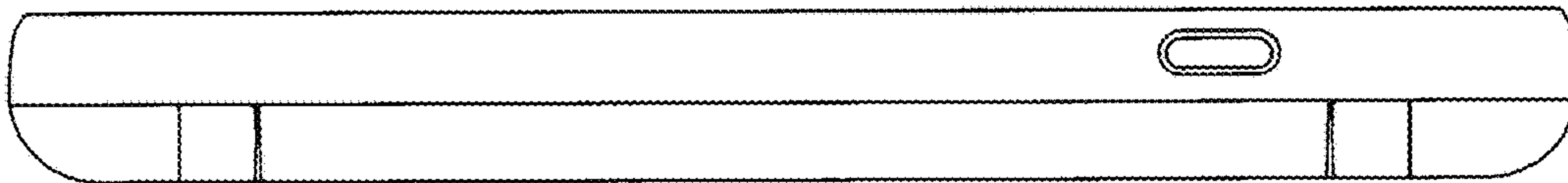


FIG. 6

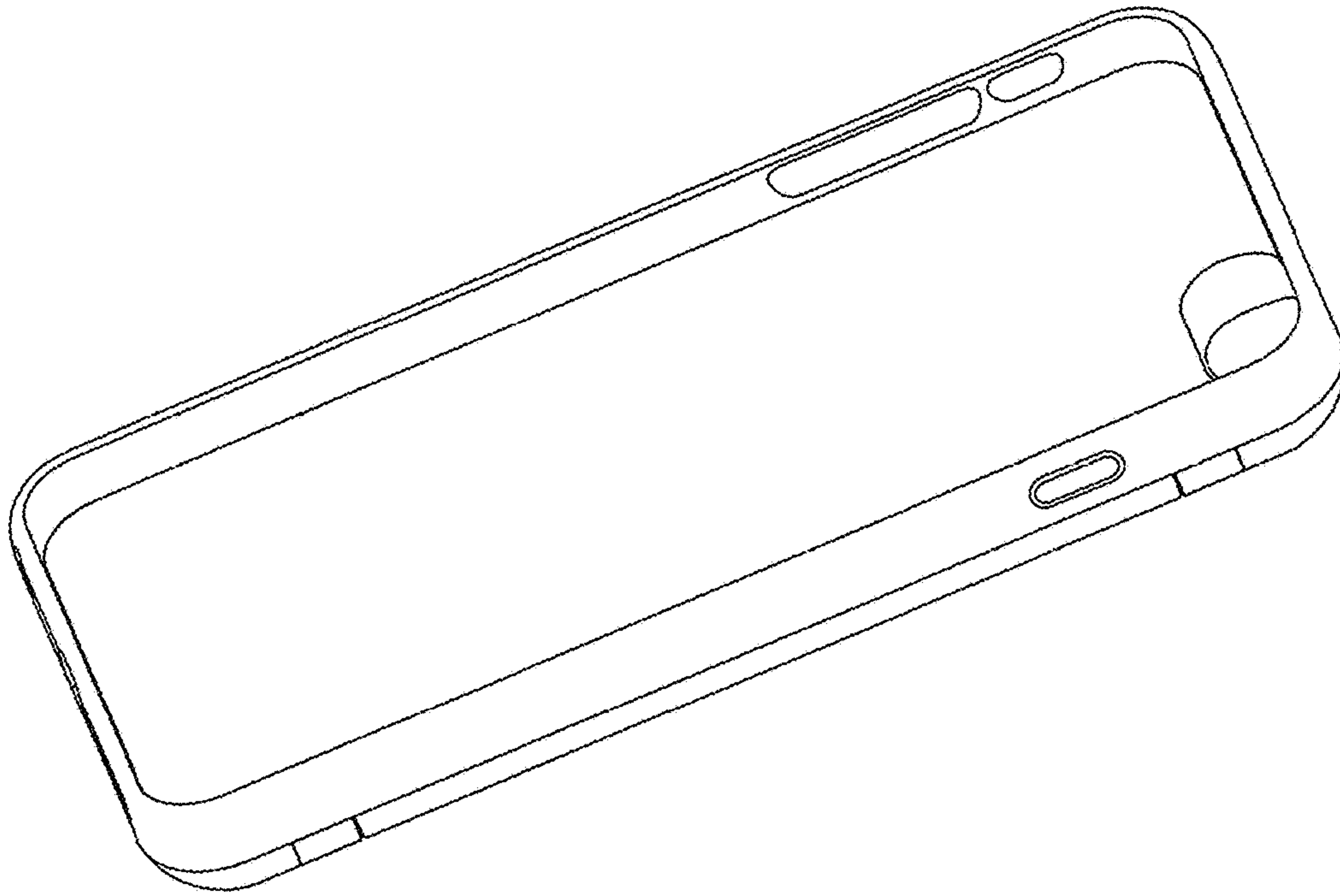


FIG. 7

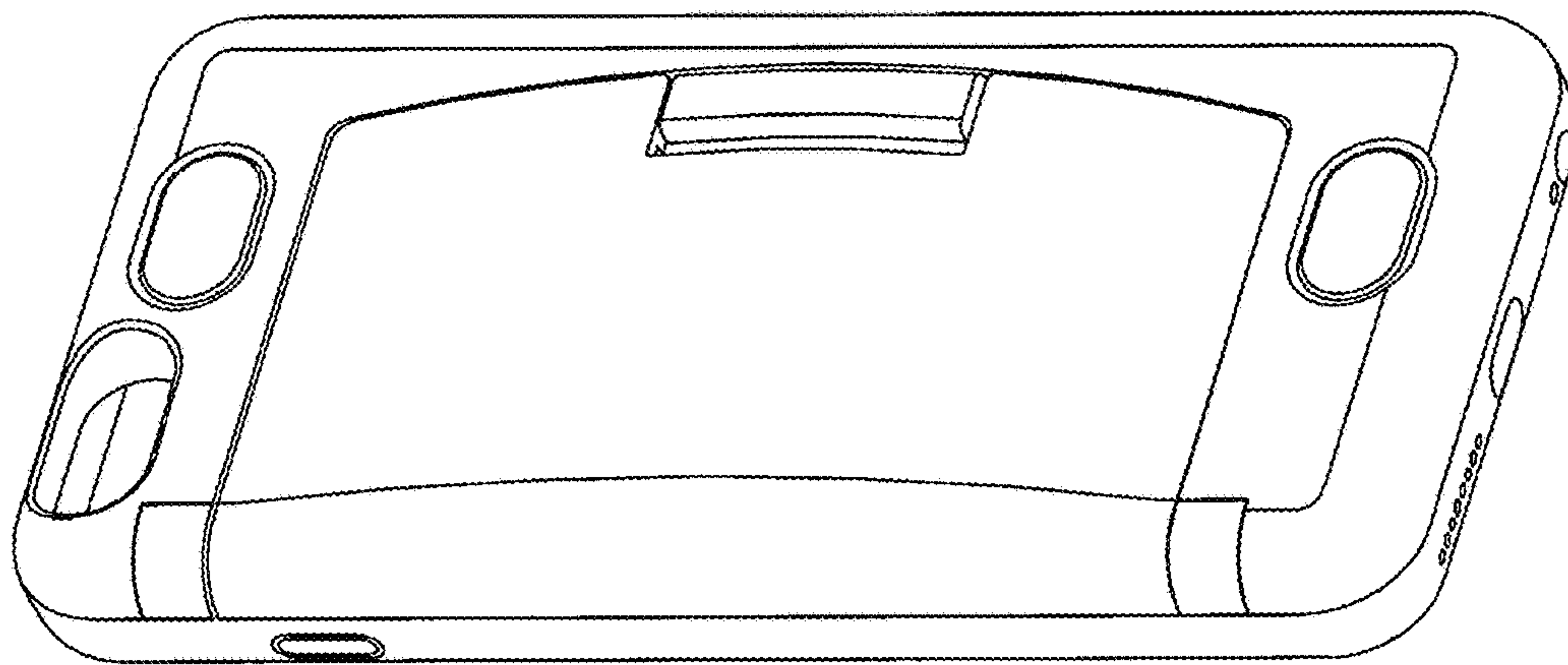


FIG. 8

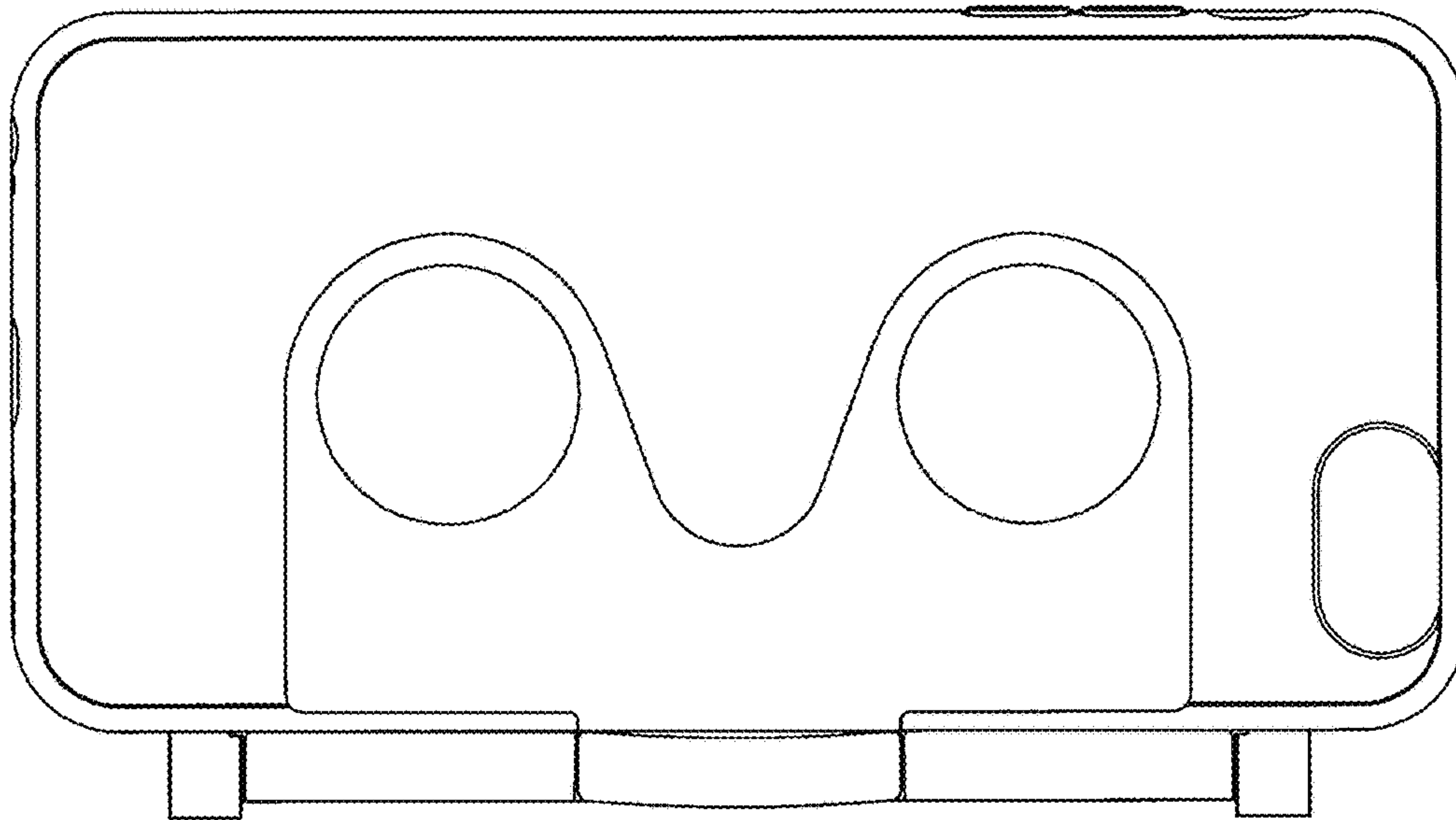


FIG. 9

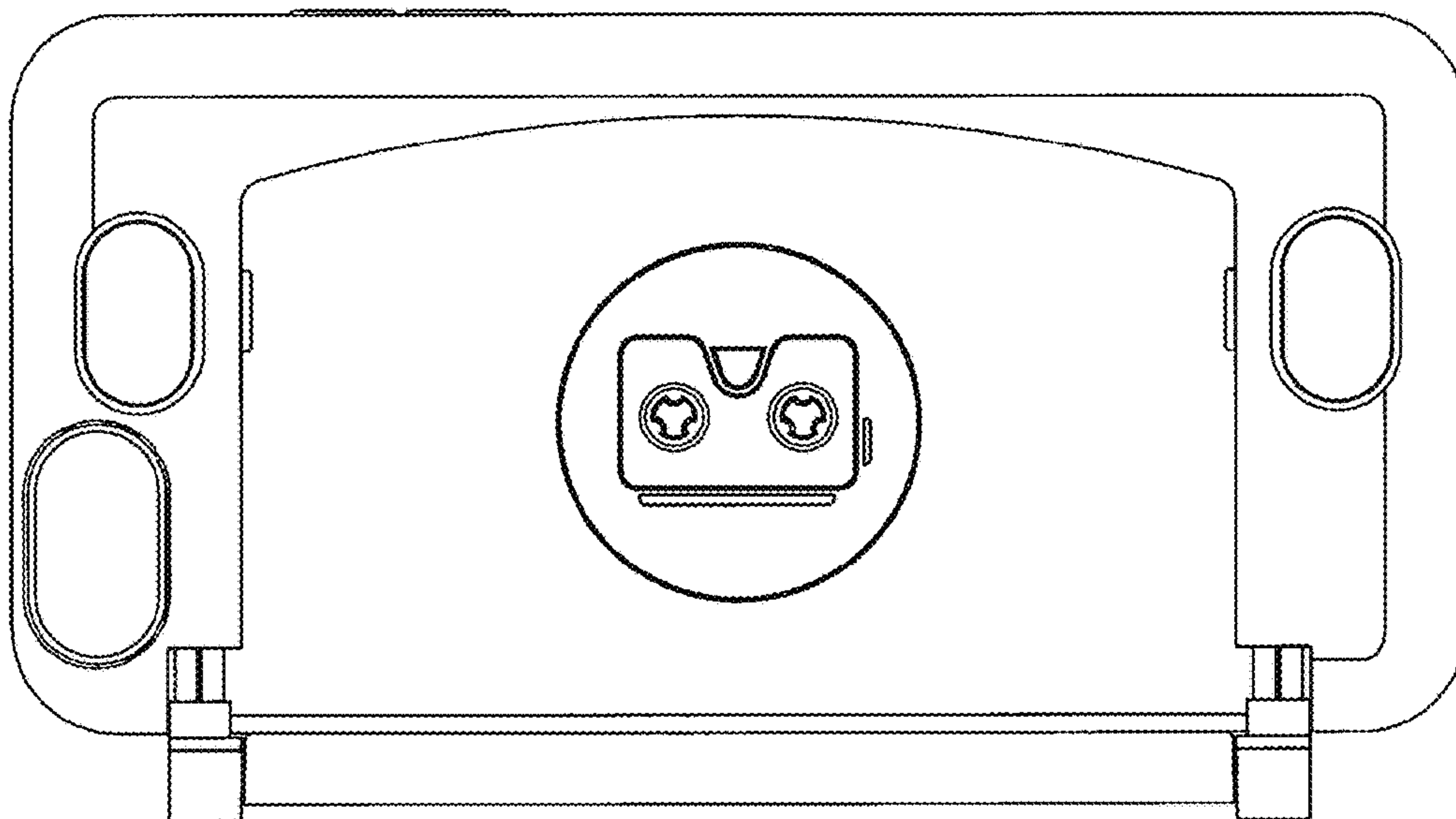


FIG. 10

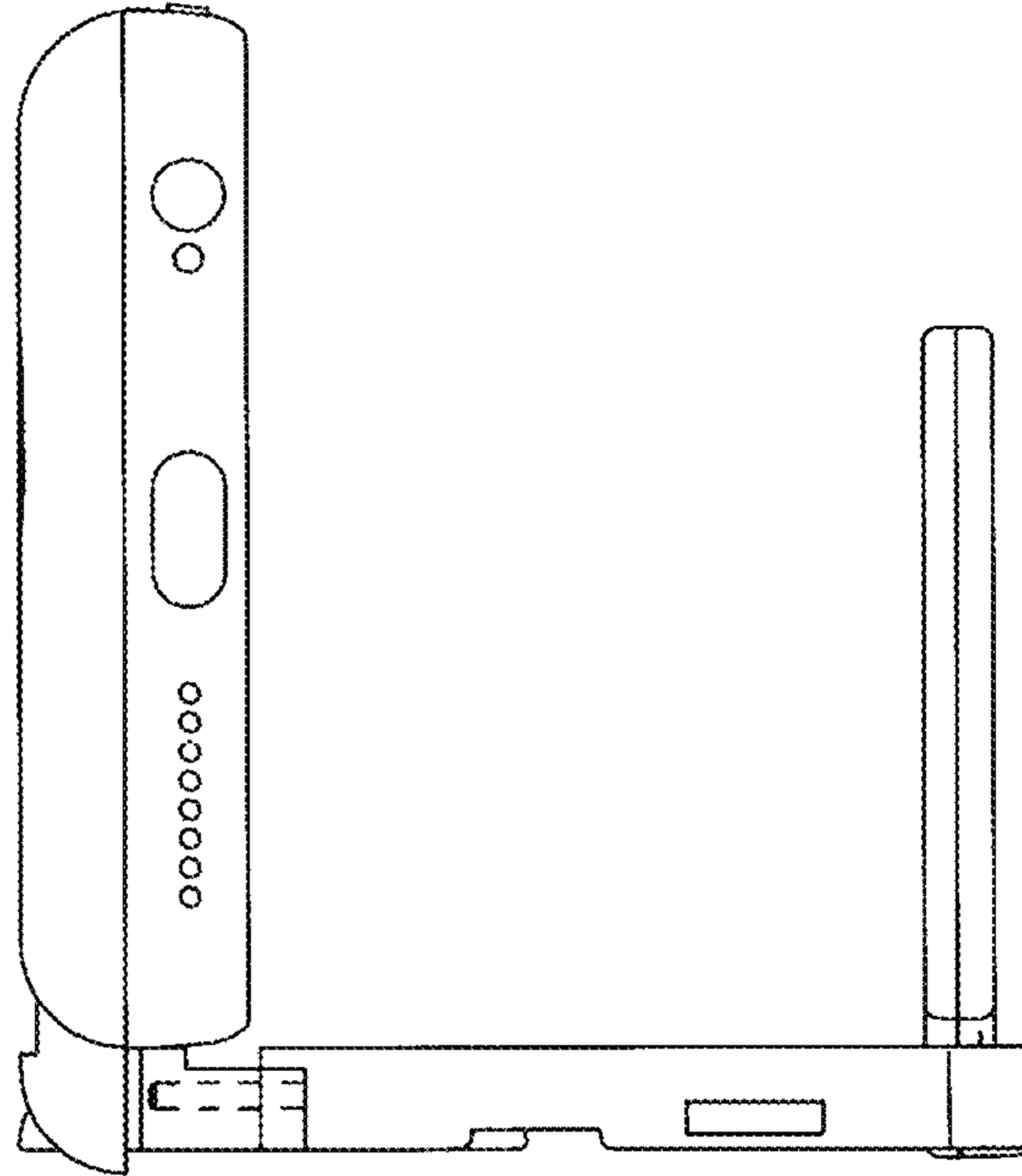


FIG. 11

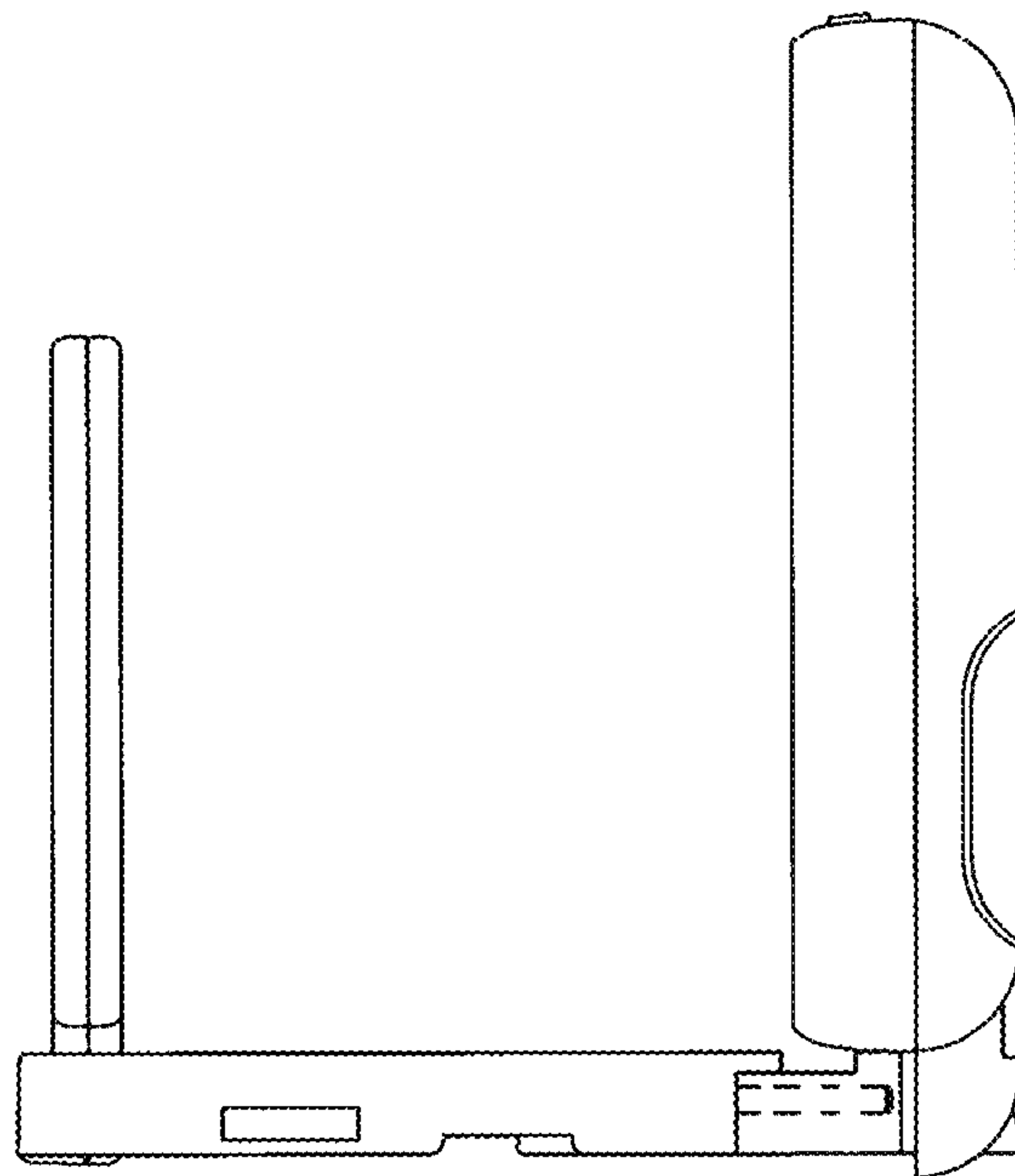


FIG. 12

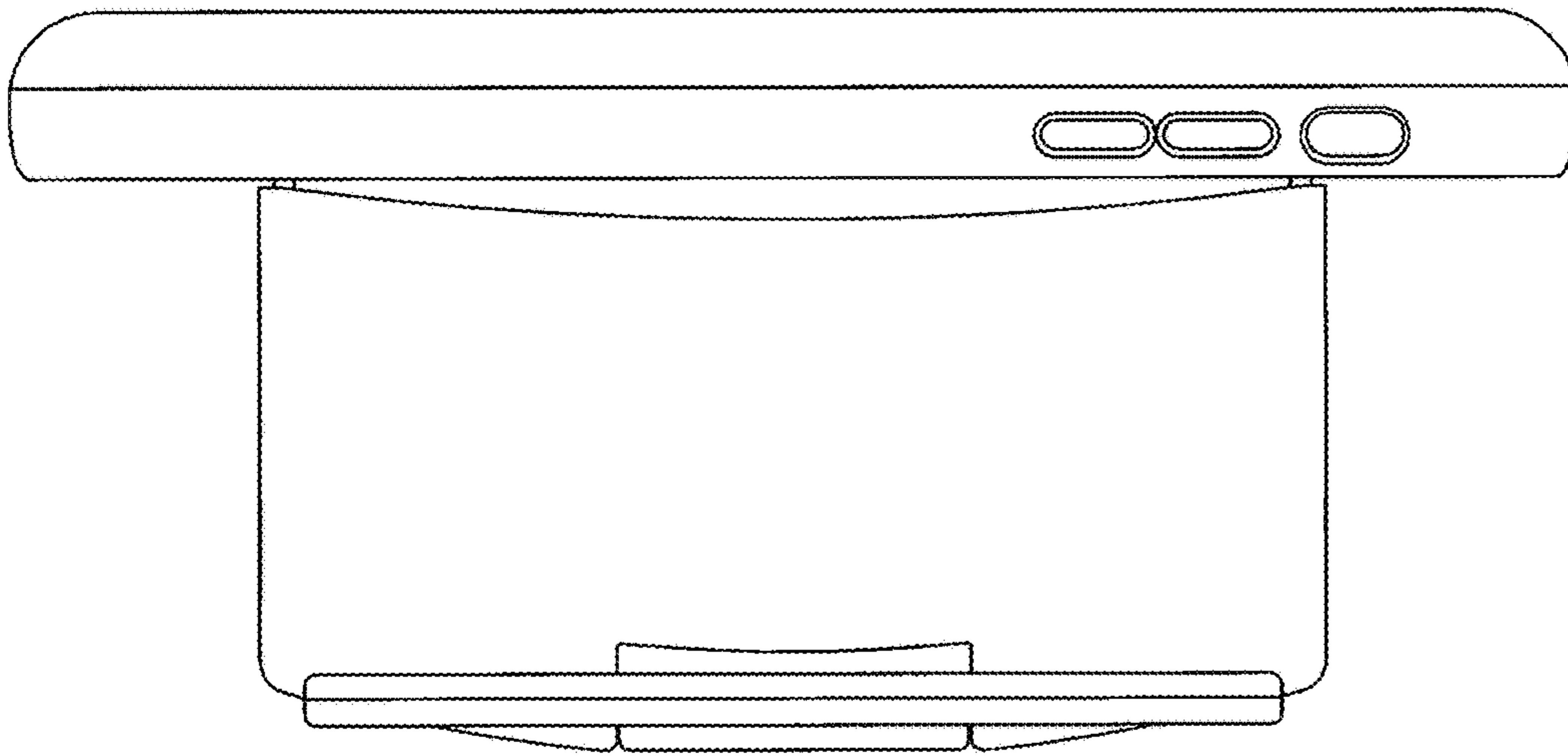


FIG. 13

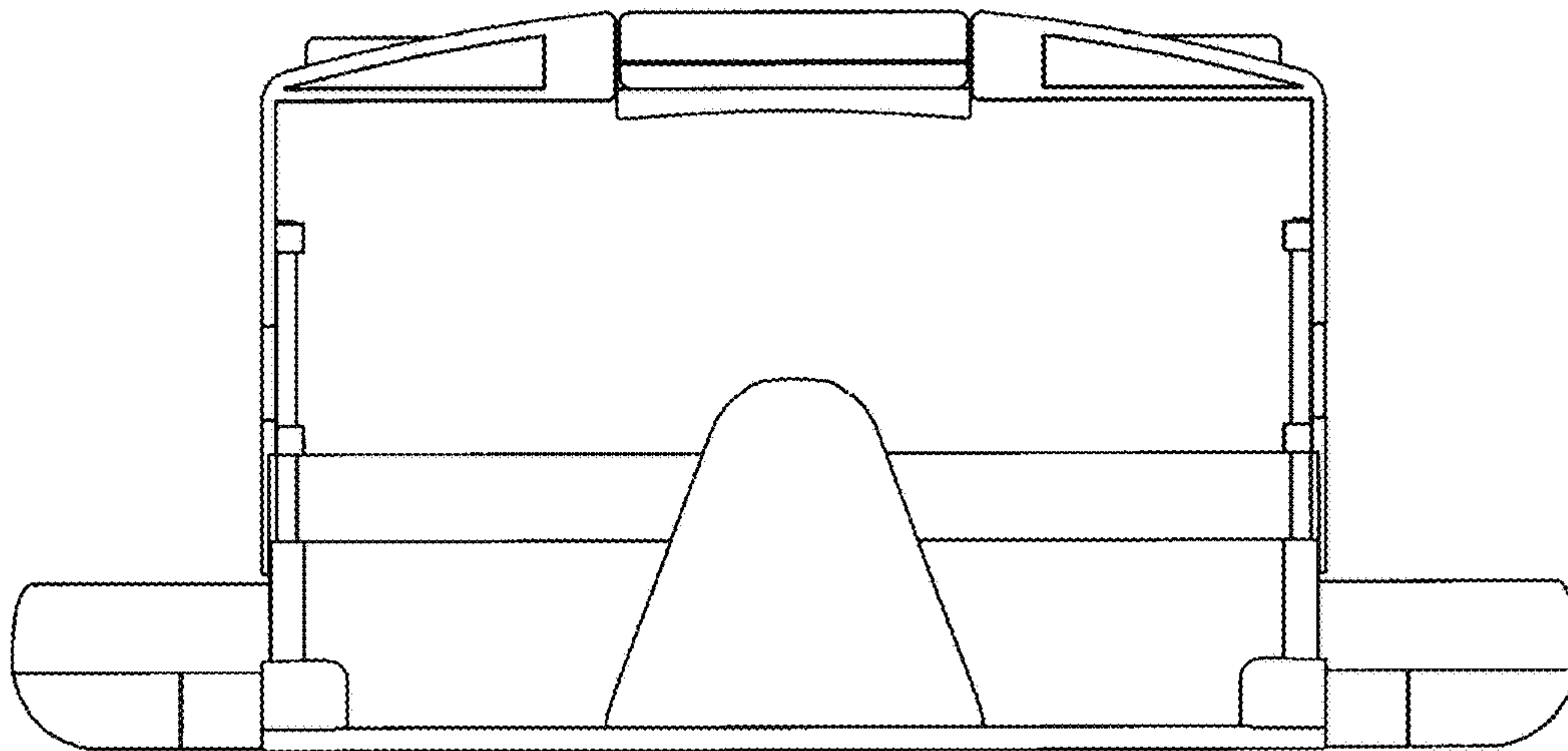


FIG. 14

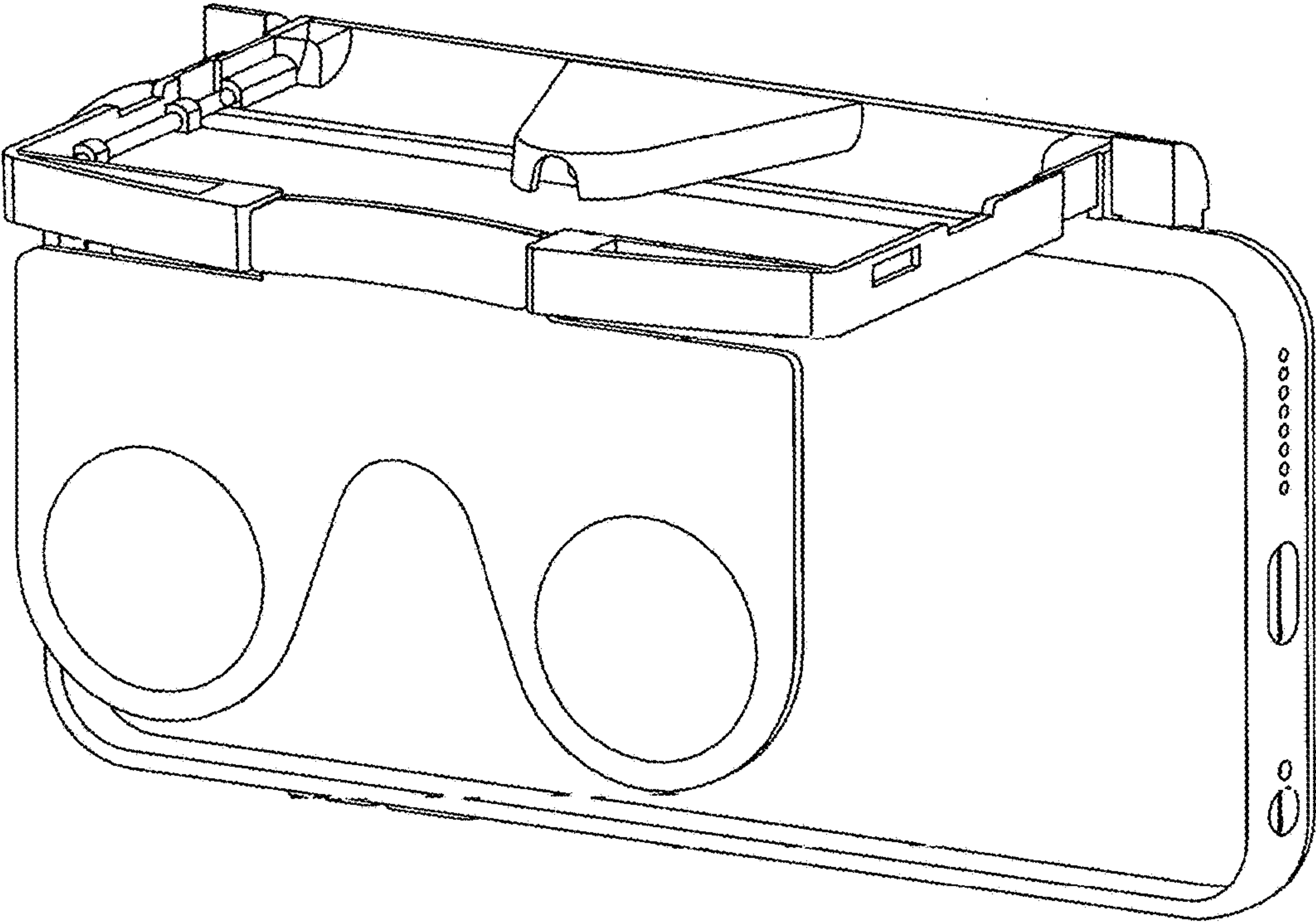


FIG. 15

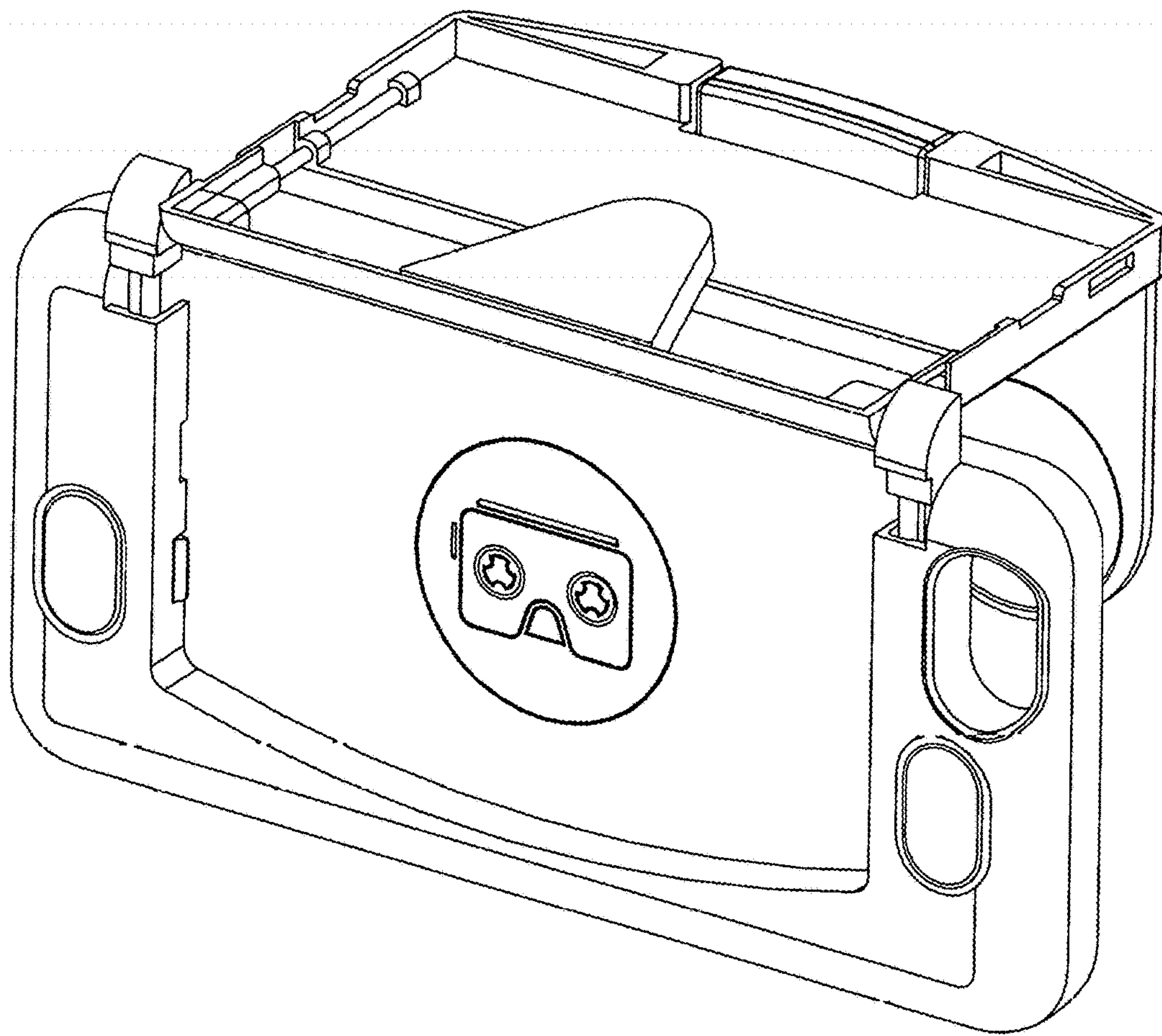


FIG. 16