



US00D823286S

(12) **United States Design Patent**  
**Kanter**

(10) **Patent No.:** **US D823,286 S**  
(45) **Date of Patent:** **\*\* Jul. 17, 2018**

- (54) **MOUNT ADAPTER BRACKET**
- (71) Applicant: **HumanCentric Ventures LLC**, Skokie, IL (US)
- (72) Inventor: **Simcha Kanter**, Chicago, IL (US)
- (73) Assignee: **HUMANCENTRIC VENTURES LLC**, Skokie, IL (US)
- (\*\*) Term: **15 Years**
- (21) Appl. No.: **29/599,971**
- (22) Filed: **Apr. 7, 2017**
- (51) **LOC (11) Cl.** ..... **14-03**
- (52) **U.S. Cl.**  
USPC ..... **D14/238**
- (58) **Field of Classification Search**  
USPC ..... D14/230–238, 299, 358, 451, 447, 448,  
D14/238.1; 343/700 R, 878–892;  
D8/363, 373, 349, 394, 354; 211/26.2,  
211/32, 35  
See application file for complete search history.

(56) **References Cited**

U.S. PATENT DOCUMENTS

- D158,122 S \* 4/1950 Pennington ..... D11/181
- 5,810,303 A 9/1998 Bourassa
- D442,469 S 5/2001 Roozen et al.
- 6,749,162 B2 6/2004 Nicolides et al.
- D504,701 S 5/2005 Chen
- D536,240 S 2/2007 Vejmarker
- D557,126 S \* 12/2007 Worrall ..... D14/452
- D558,560 S \* 1/2008 Ciungan ..... D14/452
- D560,221 S \* 1/2008 Hoglan ..... D14/451
- D560,222 S 1/2008 Anderson
- D560,674 S \* 1/2008 Wohlford ..... D14/451
- D560,677 S \* 1/2008 Wohlford ..... D14/451
- D565,938 S \* 4/2008 Massoumi ..... D8/363
- D576,633 S \* 9/2008 Muday ..... D14/452
- D587,100 S 2/2009 Allsopp
- 7,544,889 B1 6/2009 Sanchez

- D612,226 S 3/2010 Dinh
- D628,539 S 12/2010 Tezak et al.
- D628,566 S \* 12/2010 Molter ..... D14/239  
(Continued)

FOREIGN PATENT DOCUMENTS

- GB 2433196 A 6/2007

OTHER PUBLICATIONS

VESA Mount Adapter Bracket for Samsung CF591, posted at amazon.com, posting date Mar. 30, 2017, [online], [site visited Mar. 27, 2018]. Available from Internet, U RL: <https://www.amazon.com/Adapter-Bracket-Samsung-27-inch-LC27F591FDNXZA/dp/B06XXPJZH1/> (Year:2017).

(Continued)

*Primary Examiner* — Lakiya G Rogers  
*Assistant Examiner* — Harold E Blackwell, II  
(74) *Attorney, Agent, or Firm* — DLA Piper LLP US

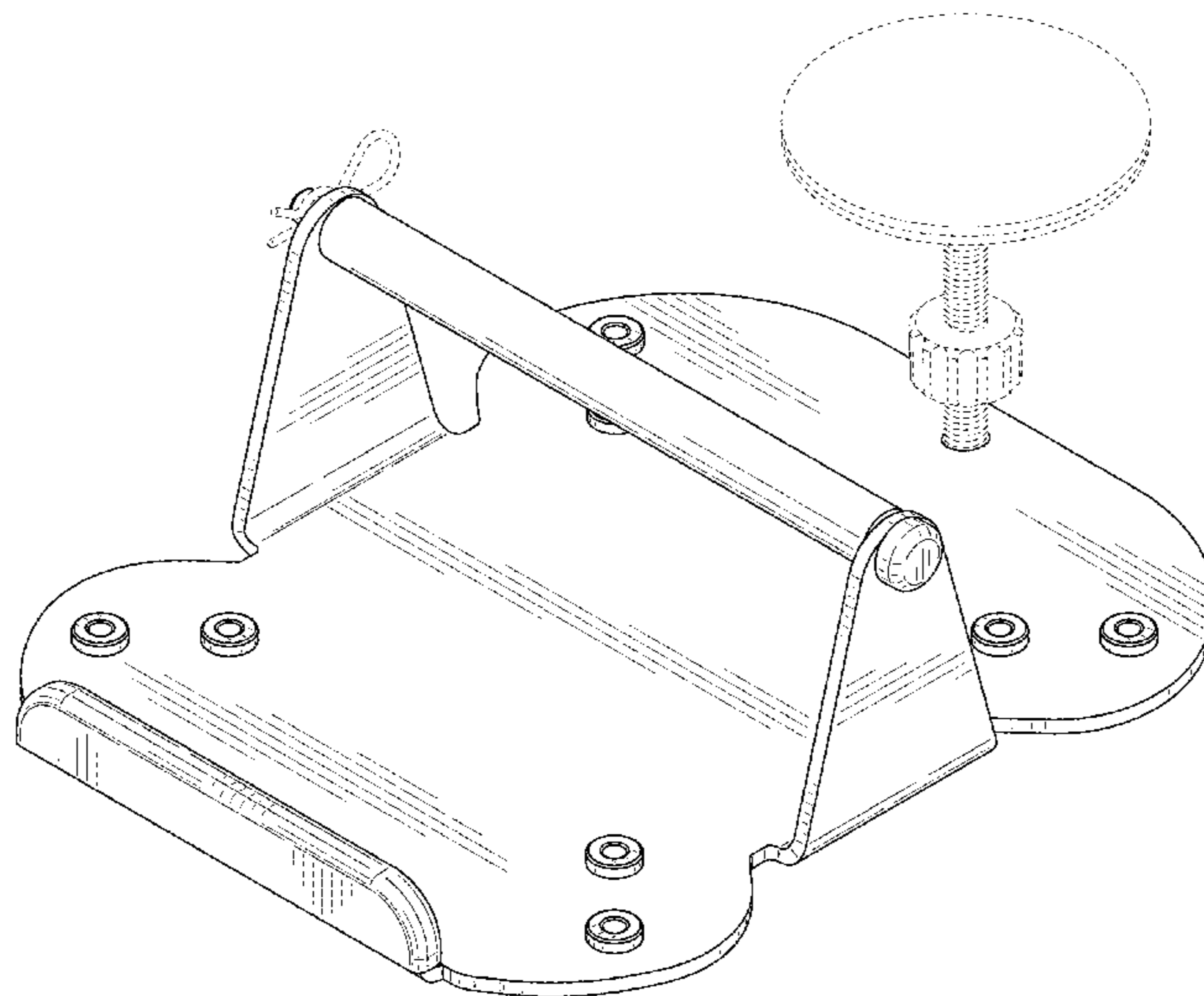
(57) **CLAIM**

The ornamental design for a mount adapter bracket, as shown and described.

**DESCRIPTION**

FIG. 1 is a perspective view of the mount adapter bracket. FIG. 2 is a bottom view of the mount adapter bracket. FIG. 3 is a top view of the mount adapter bracket. FIG. 4 is a left side view of the mount adapter bracket. FIG. 5 is a right side view of the mount adapter bracket. FIG. 6 is a front view of the mount adapter bracket; and, FIG. 7 is a rear view of the mount adapter bracket. The broken lines in the drawings illustrate portions of the mount adapter bracket, which form no part of the claimed design.

**1 Claim, 6 Drawing Sheets**



(56)

References Cited

U.S. PATENT DOCUMENTS

D645,902 S 9/2011 Tsai  
 D650,987 S 12/2011 Rothbauer  
 D652,411 S \* 1/2012 Crawford ..... D14/238  
 D667,249 S 9/2012 London  
 D667,288 S 9/2012 Preda  
 D677,263 S \* 3/2013 Luijben ..... D14/451  
 D682,079 S 5/2013 Chou  
 D688,670 S 8/2013 Huang  
 8,511,032 B2 8/2013 Abdei-Rahman et al.  
 D689,045 S 9/2013 Mardas  
 RE44,515 E \* 10/2013 Ciungan ..... D14/452  
 RE44,740 E \* 2/2014 Ciungan ..... D14/452  
 D729,611 S 5/2015 Schmidt  
 D743,955 S 11/2015 Wu  
 D749,399 S 2/2016 Jenkins  
 D750,603 S 3/2016 Venghaus et al.  
 D760,066 S 6/2016 Krenek  
 D761,236 S \* 7/2016 Wengreen ..... D14/238.1  
 D767,575 S 9/2016 Green  
 D769,024 S 10/2016 Montoya  
 D788,951 S 6/2017 Lopez  
 D789,565 S 6/2017 Lopez  
 D794,420 S 8/2017 Emmons  
 D794,424 S 8/2017 Thompson et al.  
 D807,152 S 1/2018 Hansen  
 D810,091 S 2/2018 Cho  
 D813,020 S 3/2018 DeDios-Shirley

9,929,549 B2 3/2018 Witherbee et al.  
 2012/0025046 A1 2/2012 Yen  
 2015/0264823 A1 9/2015 Shirley

OTHER PUBLICATIONS

VESA Mount Adapter Bracket for Samsung Monitors, posted at amazon.com, posting date Oct. 26, 2015, [online], [site visited Mar. 27, 2018]. Available from Internet, U RL: <https://www.amazon.com/Monitors-S27D390H-S24D390H-L-S27D360H-S24D360H/L/dp/B01771PV3K/> (Year:2015).  
 VESA Mount Adapter for Acer H2 Monitors, posted at amazon.com, posting date Mar. 22, 2016, [online], [site visited Mar. 27, 2018]. Available from Internet, U RL: <https://www.amazon.com/Mount-Adapter-H277H-U-H257H-U-Monitors/dp/B01DAYRVG8/> (Year: 2016).  
 VESA Mount Adapter for Asus MX Monitors, posted at amazon.com, posting date Feb. 3, 2016, [online], [site visited Mar. 27, 2018]. Available from Internet, URL: <https://www.amazon.com/Adapter-Monitors-MX239H-MX259H-MX279H/dp/B01BFWROZU/> (Year: 2016).  
 VESA Mount Adapter for Asus VX-Series Monitors, posted at amazon.com, posting date Mar. 22, 2016, [online], [site visited Mar. 28, 2018]. Available from Internet, U RL: <https://www.amazon.com/Adapter-SE2416HX-SE2717HX-SE2717H-SE2417HG/dp/B01DAYR3ZM/> (Year: 2016).

\* cited by examiner

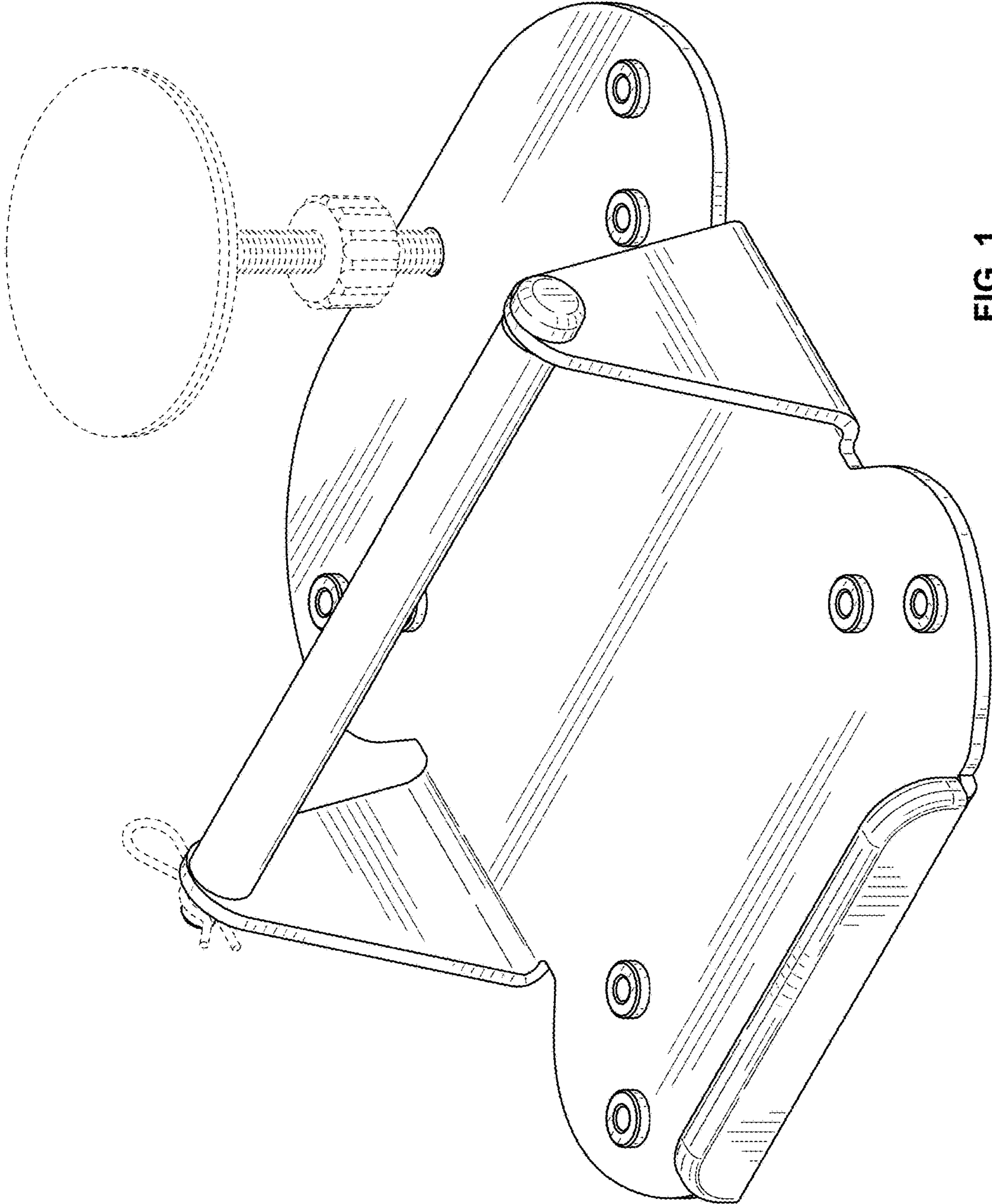


FIG. 1

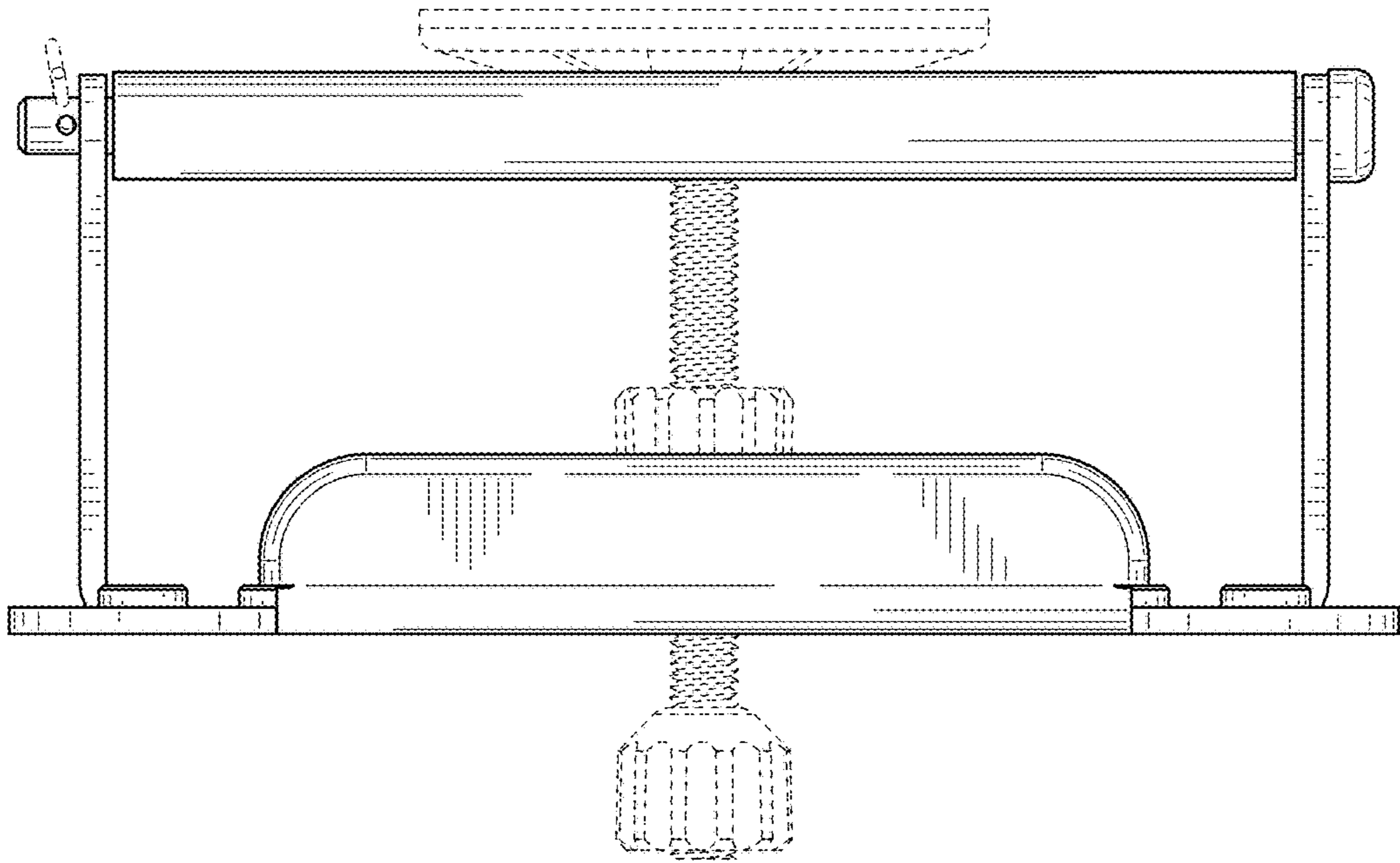


FIG. 2

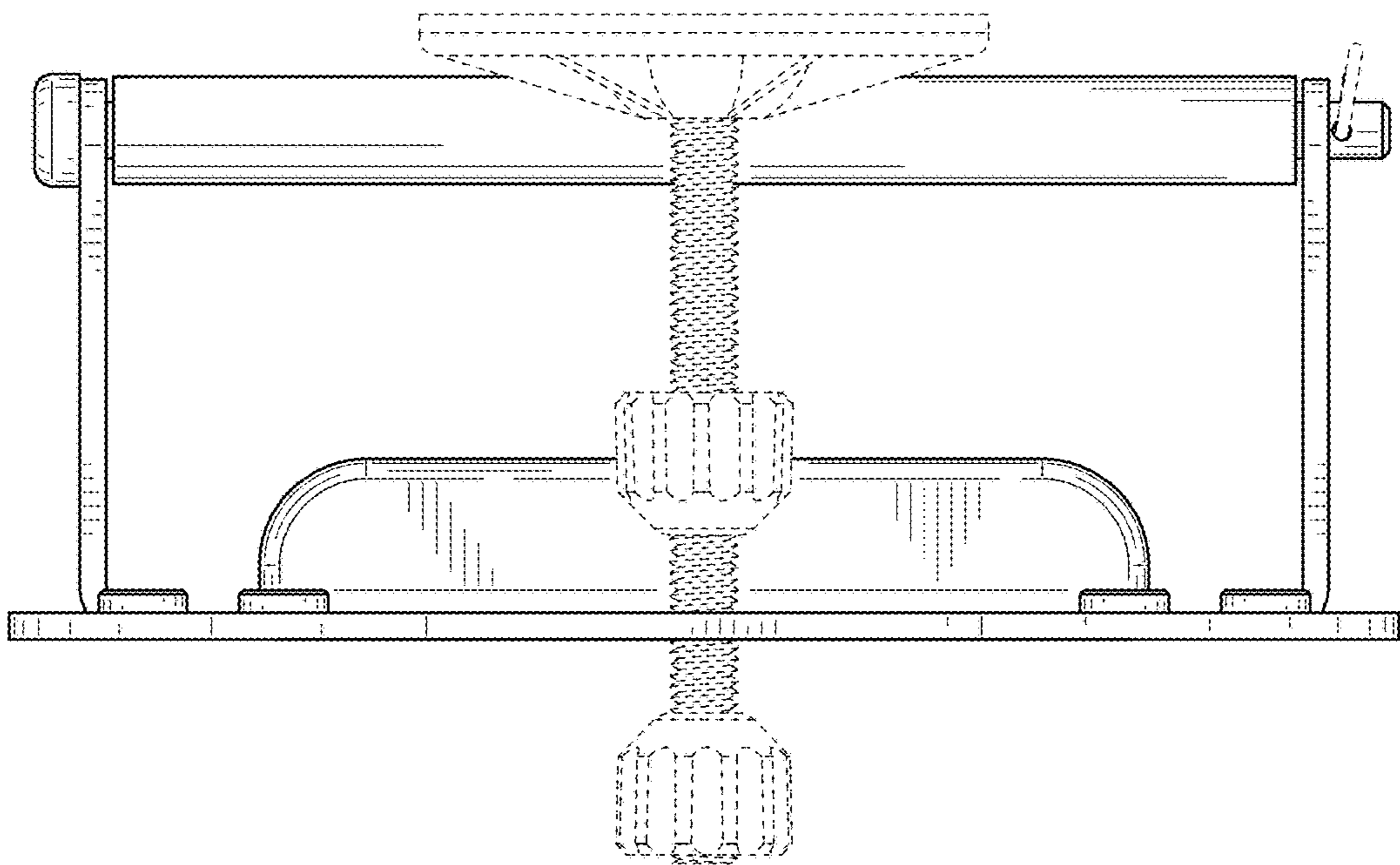


FIG. 3

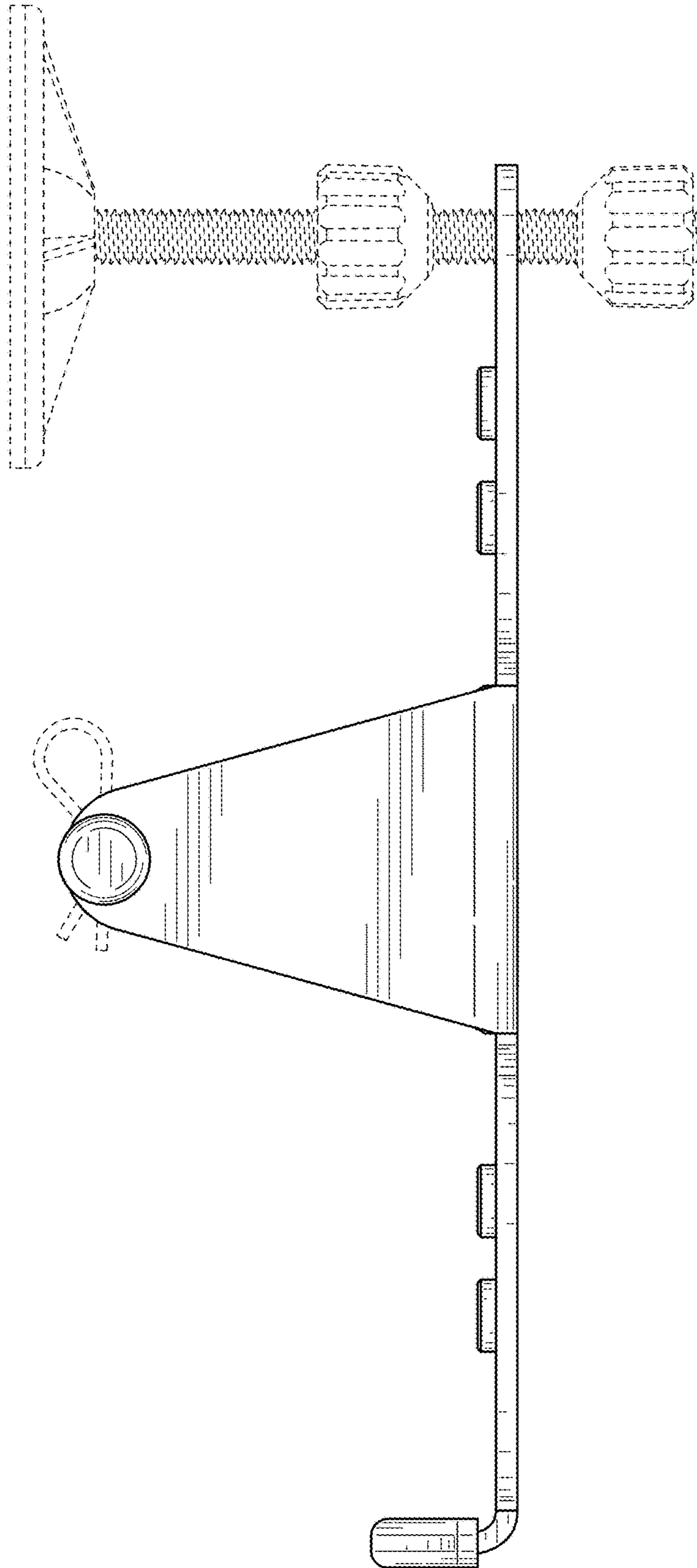


FIG. 4

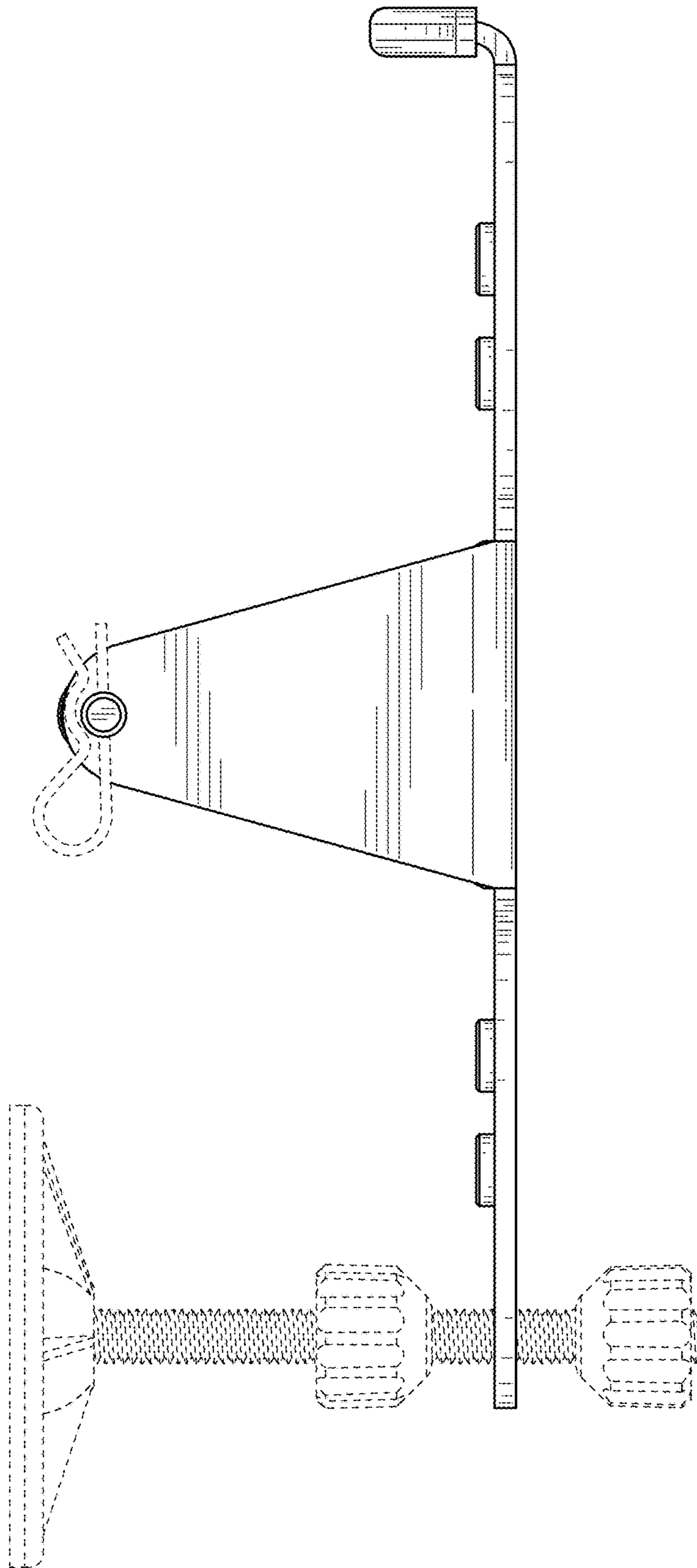


FIG. 5

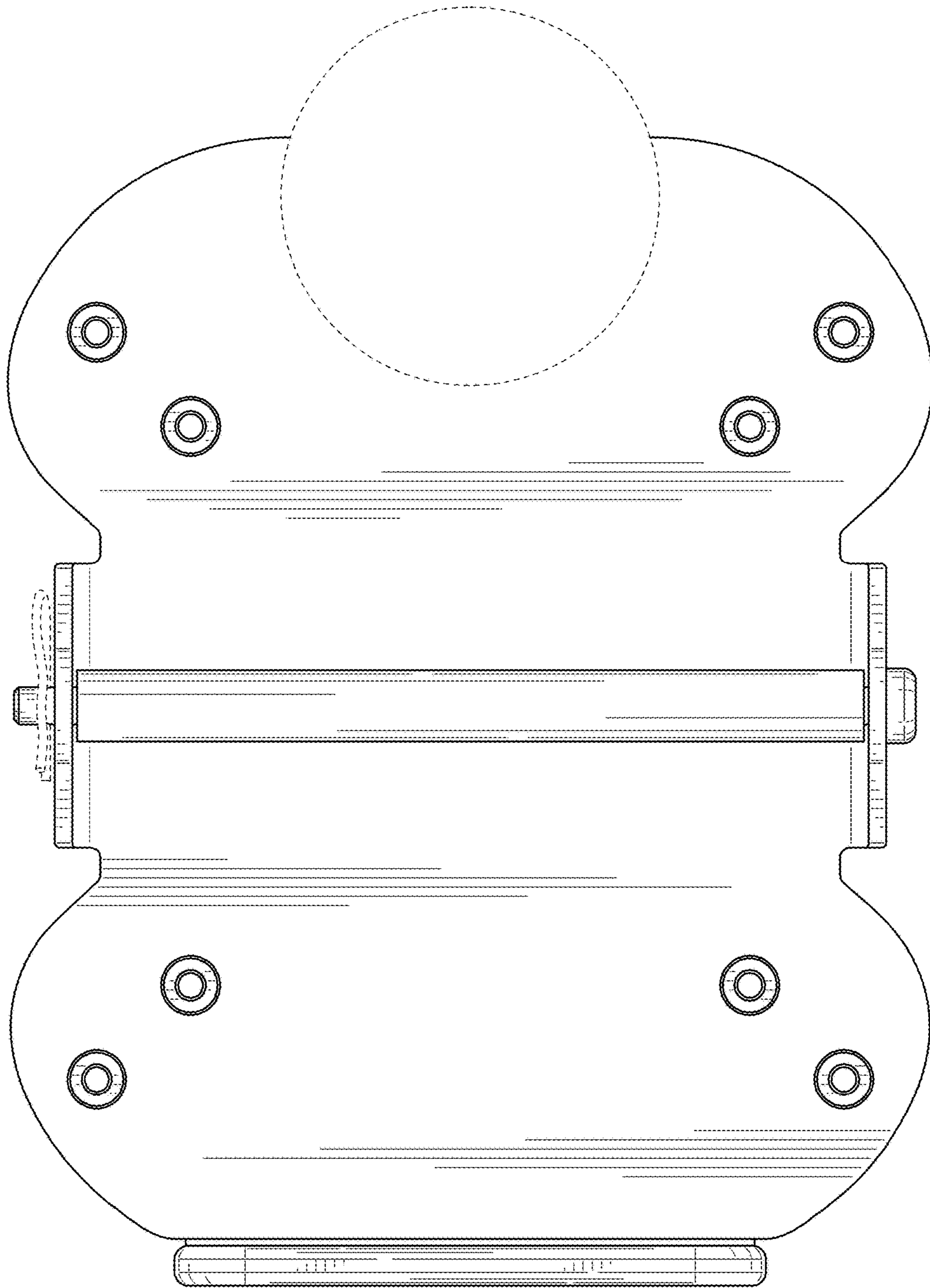


FIG. 6

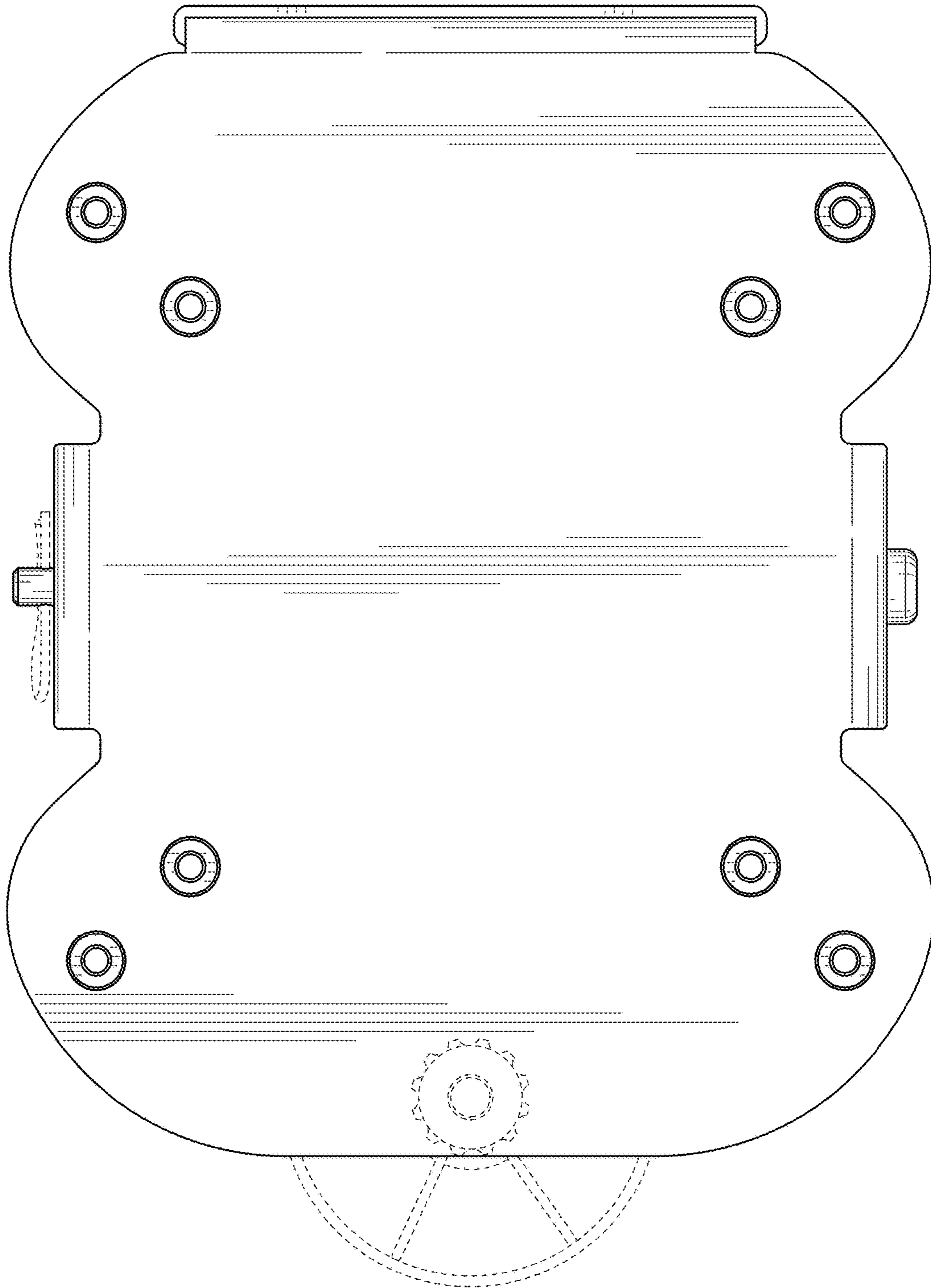


FIG. 7