



US00D823284S

(12) **United States Design Patent**  
**Zhang et al.**

(10) **Patent No.:** **US D823,284 S**  
(45) **Date of Patent:** **\*\* Jul. 17, 2018**

- (54) **POLARIZED ANTENNA**
- (71) Applicants: **Aerohive Networks, Inc.**, Milpitas, CA  
(US); **Wistron NeWeb Corporation**,  
Hsinchu (TW)
- (72) Inventors: **Liangfu Zhang**, Hangzhou (CN);  
**George Gang Chen**, Fremont, CA  
(US); **Changming Liu**, Cupertino, CA  
(US); **Zhenye Cao**, Hangzhou (CN);  
**Shang-Sian You**, Hsinchu (TW); **Yu**  
**Tao**, Hsinchu (TW); **Chi-Kang Su**,  
Hsinchu (TW)
- (73) Assignees: **Aerohive Networks, Inc.**, Milpitas, CA  
(US); **Wistron NeWeb Corporation**,  
Hsinchu (TW)

6,967,625 B1 \* 11/2005 Honda ..... H01Q 1/246  
343/770

7,123,207 B2 10/2006 Yazdandoost  
D550,633 S \* 9/2007 Gupta ..... D13/168  
D558,189 S \* 12/2007 Inoue ..... D14/230  
7,388,553 B2 \* 6/2008 Yuanzhu ..... H01Q 9/0457  
343/770

7,486,249 B2 2/2009 Fujita  
D608,769 S \* 1/2010 Bufe ..... D14/230  
D695,279 S \* 12/2013 Yang ..... D14/230  
D695,280 S \* 12/2013 Yang ..... D14/230  
D695,725 S \* 12/2013 Taeger ..... D14/230  
D708,602 S 7/2014 Gosalia  
D764,447 S \* 8/2016 Yang ..... D14/230  
D766,884 S \* 9/2016 Zheng ..... D14/240  
D767,544 S \* 9/2016 Yang ..... D14/230  
D782,448 S 3/2017 Gosalia  
D784,965 S 4/2017 Chang  
(Continued)

(\*\*) Term: **15 Years**

(21) Appl. No.: **29/538,311**

(22) Filed: **Sep. 2, 2015**

(51) **LOC (11) Cl.** ..... **14-03**

(52) **U.S. Cl.**  
USPC ..... **D14/230**

(58) **Field of Classification Search**  
USPC ..... D14/230, 231, 232, 233, 234, 235, 236,  
D14/237, 238, 138, 299, 358, 240;  
D12/42, 43  
CPC ..... H01Q 7/00; H01Q 13/10; H01Q 9/285;  
H01Q 19/30; H01Q 19/12; H01Q 1/38;  
H01Q 1/36; H01Q 1/42; H01Q 1/242;  
H01Q 1/243; H01Q 1/2266  
See application file for complete search history.

(56) **References Cited**

**U.S. PATENT DOCUMENTS**

D363,935 S \* 11/1995 McGreevy ..... D14/230  
5,583,524 A 12/1996 Milroy

**OTHER PUBLICATIONS**

International Application No. PCT/US2016/022206, International Search Report and Written Opinion dated Jun. 3, 2016.

(Continued)

*Primary Examiner* — Karen S Acker

*Assistant Examiner* — Jerry Shiuan-Hua Hsu

(74) *Attorney, Agent, or Firm* — Sheppard, Mullin,  
Richter & Hampton LLP

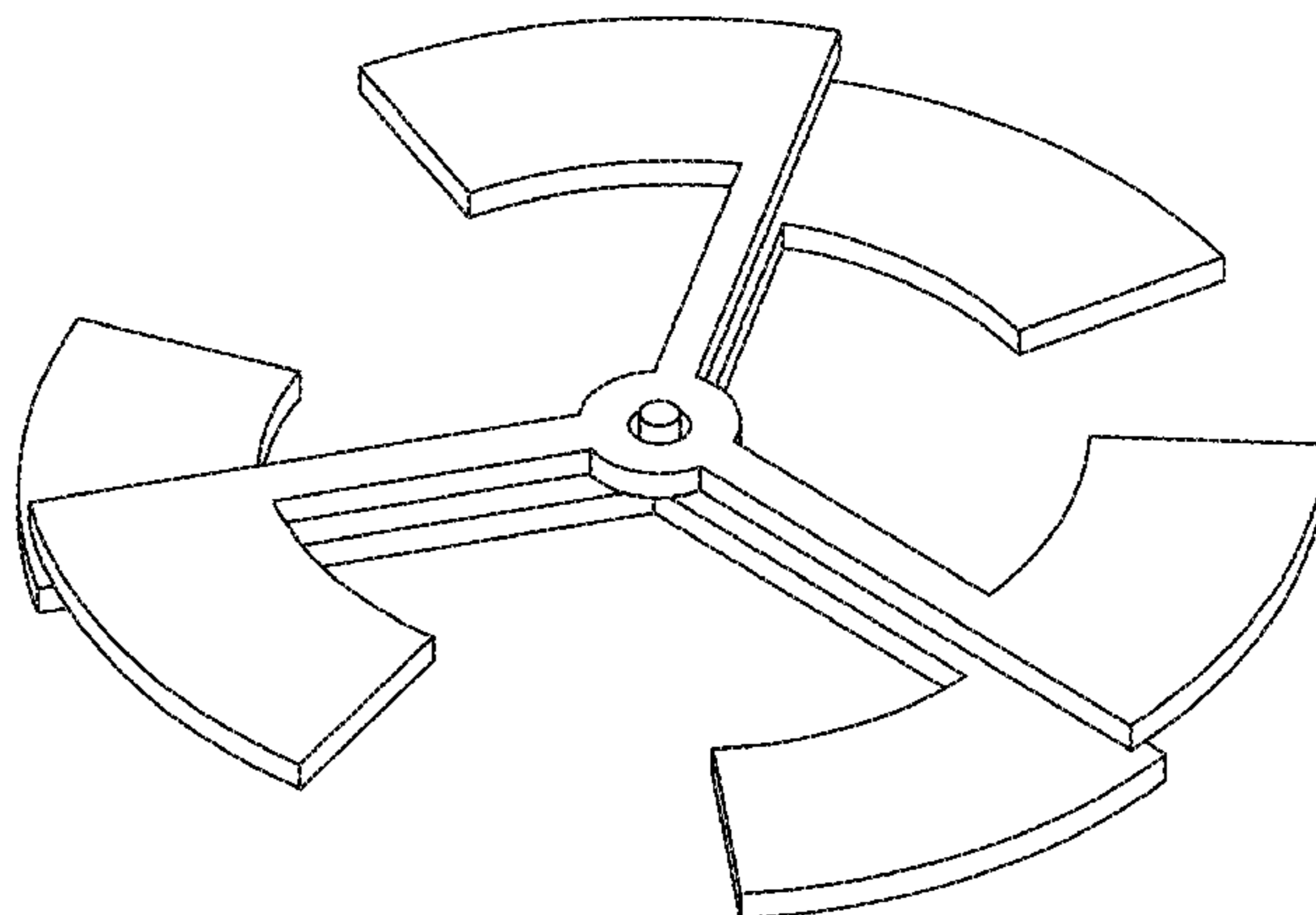
(57) **CLAIM**

We claim the ornamental design for a polarized antenna, as shown and described.

**DESCRIPTION**

FIG. 1 is a top and front perspective view thereof of the present invention;  
FIG. 2 is a top view thereof;  
FIG. 3 is a bottom view thereof; and,  
FIG. 4 is an enlarged front view thereof, the rear view being a mirror image.

**1 Claim, 4 Drawing Sheets**



(56)

**References Cited**

U.S. PATENT DOCUMENTS

D788,082	S	5/2017	Zheng	
D788,083	S	5/2017	Zheng	
D795,228	S	8/2017	He	
D795,847	S	8/2017	He	
D797,708	S	9/2017	Yang	
D801,956	S	11/2017	He	
D803,200	S	11/2017	Manivannan	
2002/0173337	A1	11/2002	Hajimiri et al.	
2003/0193923	A1	10/2003	Abdelgany et al.	
2003/0206076	A1	11/2003	Hashemi et al.	
2004/0183726	A1	9/2004	Theobald	
2005/0062649	A1	3/2005	Chiang et al.	
2005/0243007	A1	11/2005	Ke et al.	
2006/0281488	A1	12/2006	Chang et al.	
2007/0069968	A1*	3/2007	Moller .....	H01Q 9/285 343/795
2007/0097012	A1	5/2007	Sanelli et al.	
2008/0205509	A1	8/2008	Le Naour et al.	

2008/0225758	A1	9/2008	Proctor et al.
2011/0241953	A1	10/2011	Su
2012/0164948	A1	6/2012	Narasimha et al.
2012/0250666	A1	10/2012	Bhukania et al.
2012/0314626	A1	12/2012	Alapuranen et al.
2013/0134471	A1	5/2013	Lee
2013/0300502	A1	11/2013	Li et al.
2013/0315141	A1	11/2013	Homchaudhuri et al.
2014/0062812	A1	3/2014	Smith et al.
2014/0119245	A1	5/2014	Desjardins
2015/0036656	A1	2/2015	McCarthy et al.

OTHER PUBLICATIONS

International Application No. PCT/US2015/048396, International Search Report and Written Opinion mailed Nov. 27, 2015.  
 Xirus, Inc., "Solutions Brief: Migrating to 802.11ac Wireless LANs," white paper, Mar. 10, 2014.

\* cited by examiner

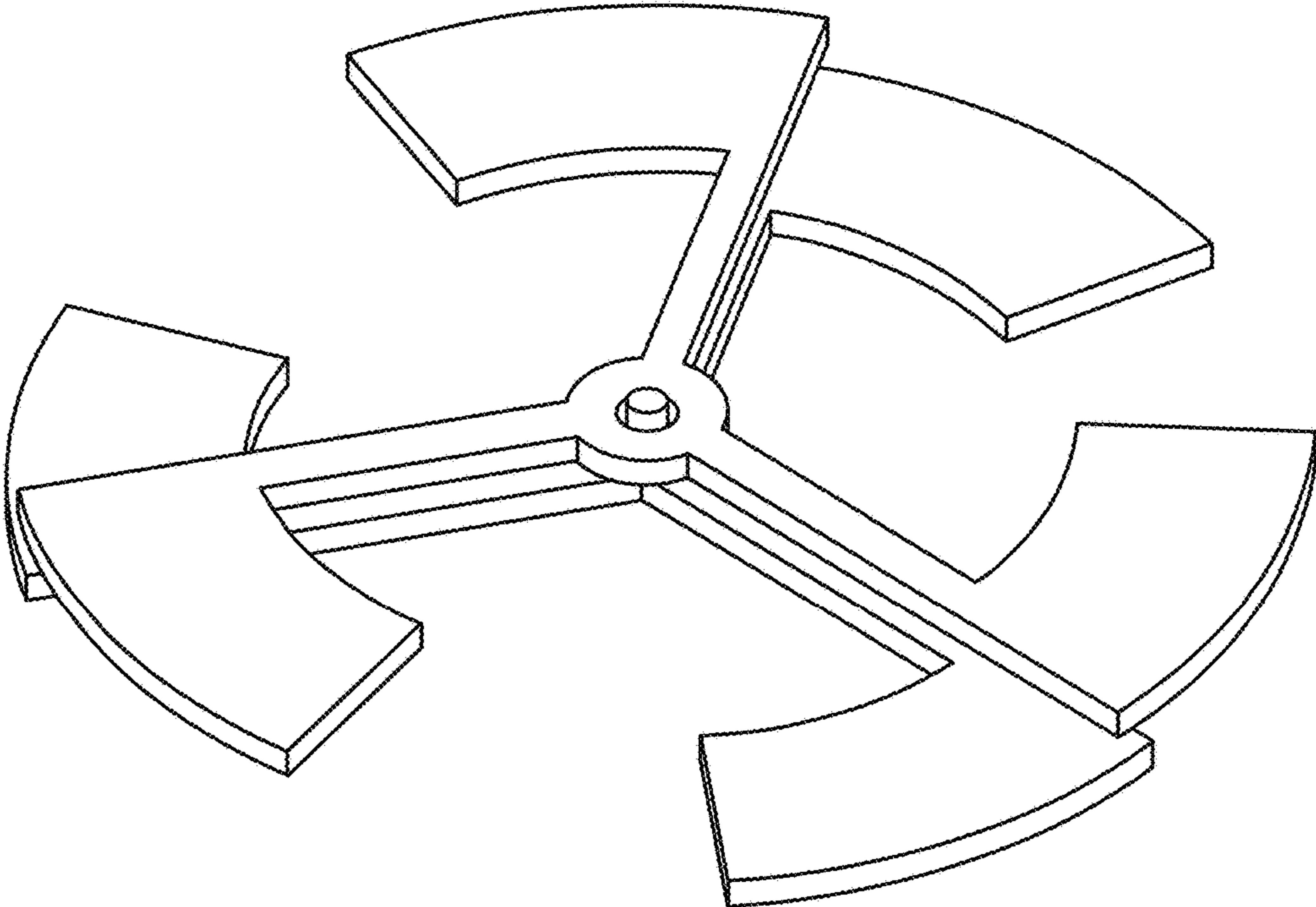


FIG. 1

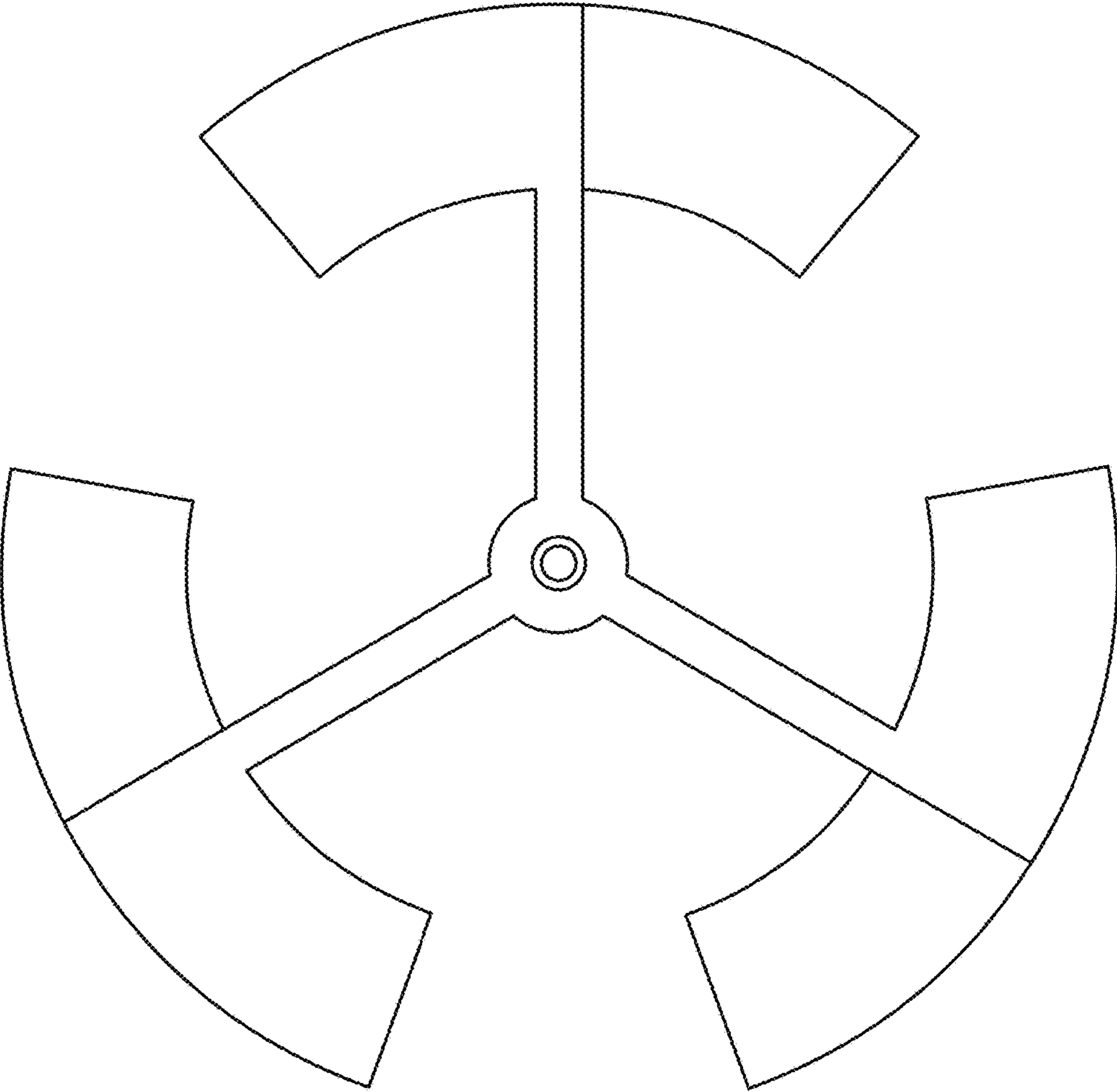


FIG. 2

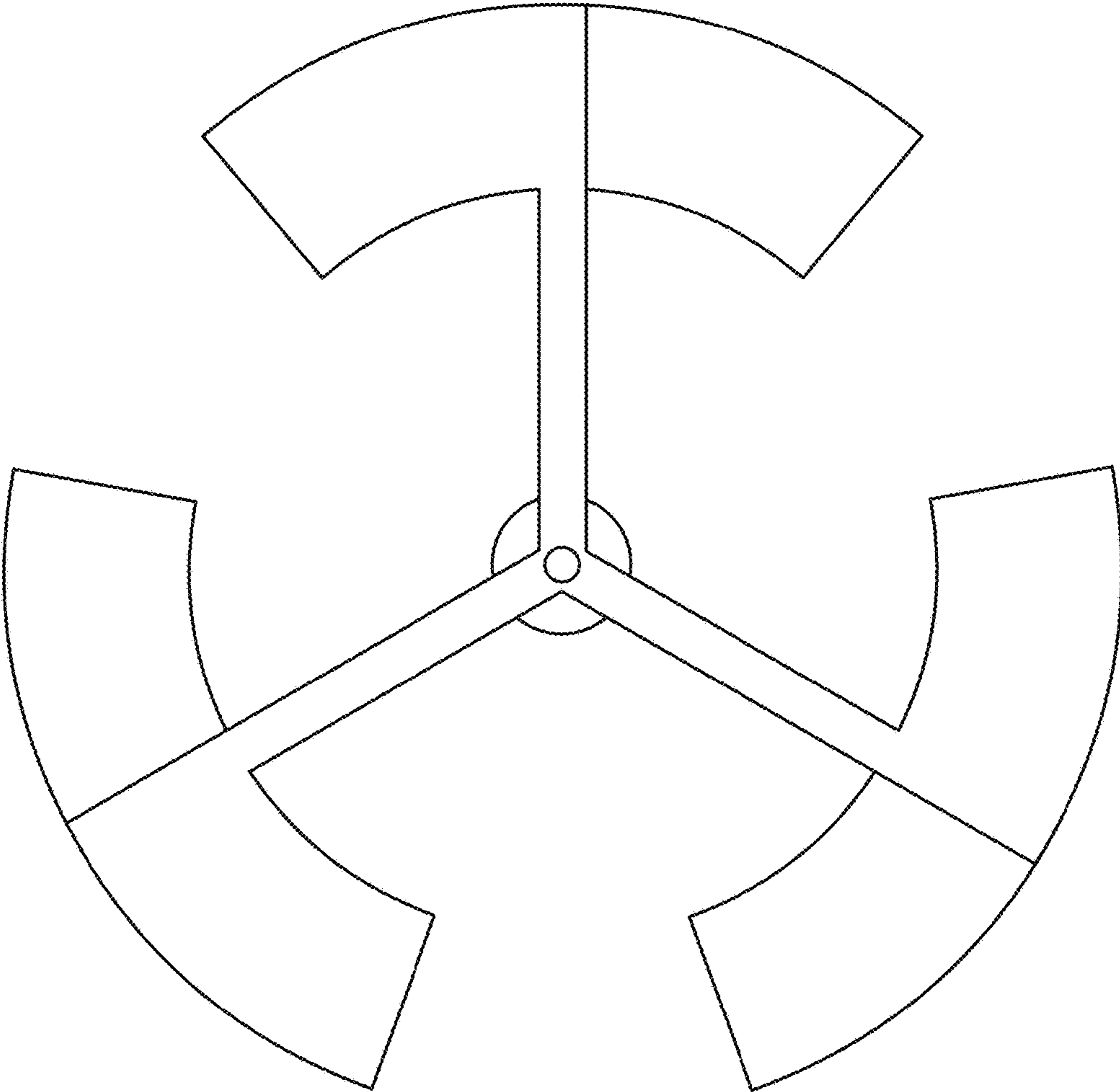


FIG. 3

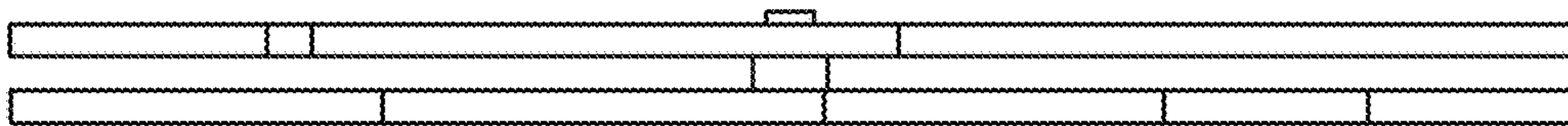


FIG. 4