



US00D823283S

(12) **United States Design Patent**  
**Sunwoo et al.**

(10) **Patent No.:** **US D823,283 S**  
(45) **Date of Patent:** **\*\* Jul. 17, 2018**

(54) **MICROPHONE MOUNT**  
(71) Applicant: **Freedman Electronics Pty Limited**,  
Silverwater, NSW (AU)  
(72) Inventors: **Sun Kyung Sunwoo**, Silverwater (AU);  
**Samuel Dean Trewartha**, Silverwater  
(AU)  
(73) Assignee: **FREEDMAN ELECTRONICS PTY**  
**LIMITED**, Silverwater, NSW (AU)  
(\*\*) Term: **15 Years**  
(21) Appl. No.: **29/581,912**  
(22) Filed: **Oct. 24, 2016**  
(30) **Foreign Application Priority Data**

Apr. 27, 2016 (AU) ..... 201612221

(51) **LOC (11) Cl.** ..... **14-01**  
(52) **U.S. Cl.**  
USPC ..... **D14/229**  
(58) **Field of Classification Search**  
USPC ..... D14/229, 227, 228; D8/396, 395, 373;  
381/368, 355, 361-363, 365, 366, 169,  
381/188, 364, 122; 128/845; 24/303,  
24/339; 248/610  
CPC ..... H04R 25/00; H04R 19/04; H04R 9/08;  
H04R 11/04; H04R 1/02; H04R 1/028;  
H04R 17/02; H04R 21/02; H05K 11/00  
See application file for complete search history.

(56) **References Cited**  
U.S. PATENT DOCUMENTS

1,537,772 A \* 5/1925 Hitzler ..... H04M 1/04  
248/279.1  
1,718,316 A \* 6/1929 Swenson ..... F21L 15/08  
248/316.7

2,595,054 A \* 4/1952 Chesick ..... F16M 13/02  
248/411  
2,776,462 A \* 1/1957 Burroughs ..... H04R 1/08  
248/122.1  
2,858,093 A \* 10/1958 Knoll ..... E21B 17/1035  
174/136  
D213,567 S \* 3/1969 Kahn ..... D14/228  
3,653,625 A \* 4/1972 Plice ..... F16F 15/0232  
188/322.5  
4,396,807 A \* 8/1983 Brewer ..... H04R 1/08  
248/604  
D278,233 S \* 4/1985 Hardy ..... D14/229  
4,546,950 A \* 10/1985 Cech ..... F16F 1/46  
211/60.1  
4,577,070 A \* 3/1986 Shulman ..... H04R 1/08  
248/104  
D296,099 S \* 6/1988 Kubota ..... D14/227  
D302,158 S \* 7/1989 Kubota ..... D14/225  
D305,026 S \* 12/1989 Wolf ..... D14/229  
D313,802 S \* 1/1991 Peiker ..... D14/227  
4,991,220 A \* 2/1991 Wolf ..... H04R 1/08  
381/361  
D327,211 S \* 6/1992 Tarshis ..... D14/229

(Continued)

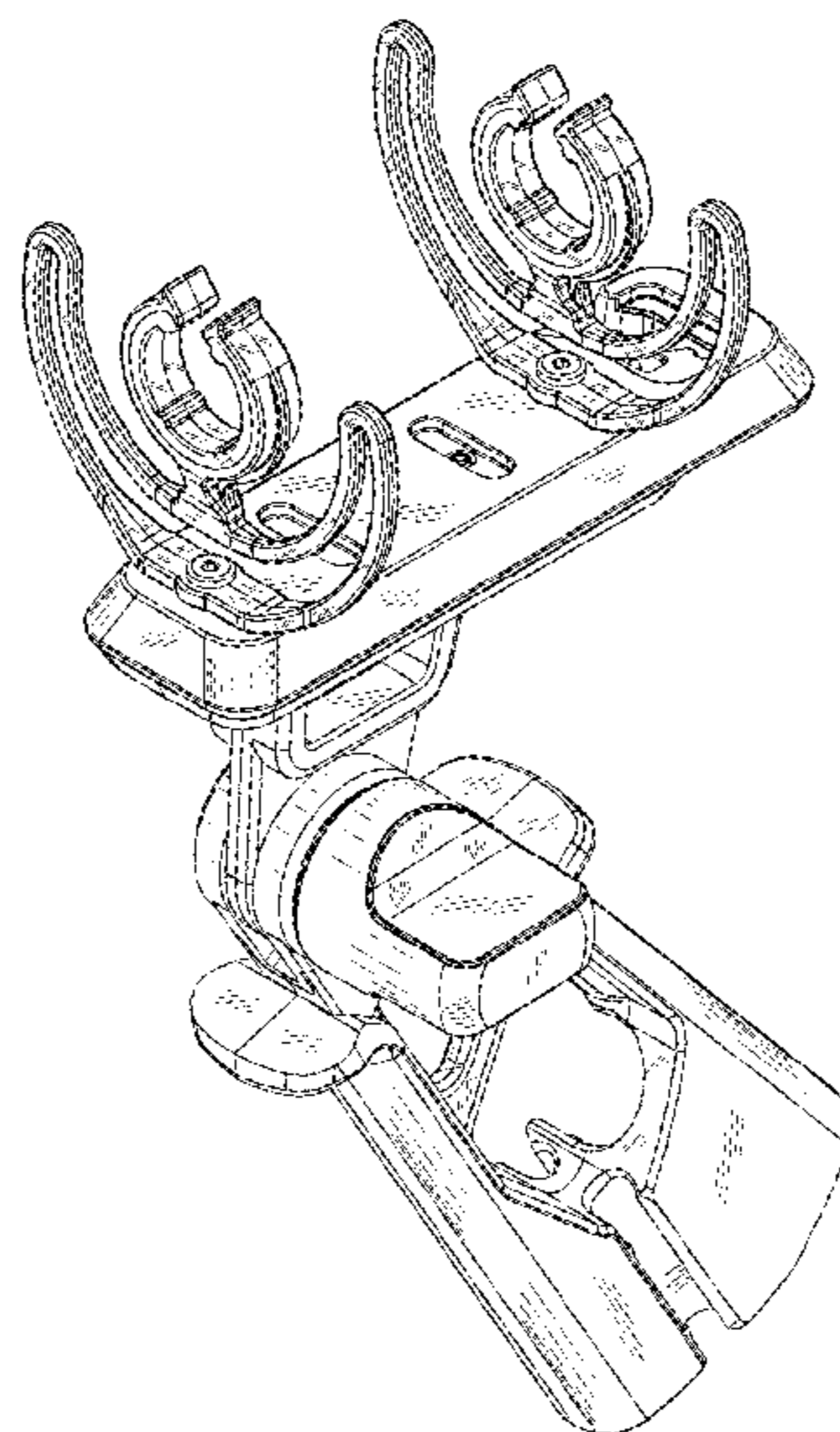
*Primary Examiner* — Paula Allen Greene  
(74) *Attorney, Agent, or Firm* — Chiesa Shahinian &  
Giantomasi PC

(57) **CLAIM**  
The ornamental design for a microphone mount, as shown  
and described.

**DESCRIPTION**

FIG. 1 is a perspective view of a new design for a micro-  
phone mount;  
FIG. 2 is a top view thereof;  
FIG. 3 is a bottom view thereof;  
FIG. 4 is a front view thereof;  
FIG. 5 is a rear view thereof;  
FIG. 6 is a left side view thereof; and,  
FIG. 7 is a right side view thereof.

**1 Claim, 7 Drawing Sheets**



(56)

## References Cited

## U.S. PATENT DOCUMENTS

D367,999	S *	3/1996	McCallum	.....	D6/553
6,219,429	B1 *	4/2001	Chung	.....	H04R 1/08 248/324
D537,331	S *	2/2007	Hill	.....	D8/395
D563,396	S *	3/2008	Probst	.....	D14/228
D602,920	S *	10/2009	Fleischer	.....	D14/226
D603,381	S *	11/2009	Fleischer	.....	D14/227
D605,183	S *	12/2009	Fleischer	.....	D14/227
D619,452	S *	7/2010	Ollila	.....	D8/396
8,121,333	B2 *	2/2012	Woolf	.....	H04R 1/08 381/361
D676,428	S *	2/2013	Trewartha	.....	D14/225
D707,207	S *	6/2014	Cooper	.....	D14/225
D710,831	S *	8/2014	Cooper	.....	D14/229
D730,327	S *	5/2015	Mun	.....	D14/229
D736,187	S *	8/2015	Cooper	.....	D14/225
D736,189	S *	8/2015	Cooper	.....	D14/229
D737,252	S *	8/2015	Fereday	.....	D14/225
D737,804	S *	9/2015	Fereday	.....	D14/229
D745,495	S *	12/2015	Fereday	.....	D14/229
D751,060	S *	3/2016	Cooper	.....	D14/251
D772,205	S *	11/2016	Sunwoo	.....	D14/229
D772,848	S *	11/2016	Sunwoo	.....	D14/227
D774,494	S *	12/2016	Sunwoo	.....	D14/227
D801,953	S *	11/2017	Sunwoo	.....	D14/225
2003/0035561	A1 *	2/2003	Hsieh	.....	H04R 1/08 381/361
2009/0016558	A1 *	1/2009	Woolf	.....	H04R 1/08 381/368
2014/0233764	A1 *	8/2014	Mathis	.....	H04R 1/08 381/122

\* cited by examiner

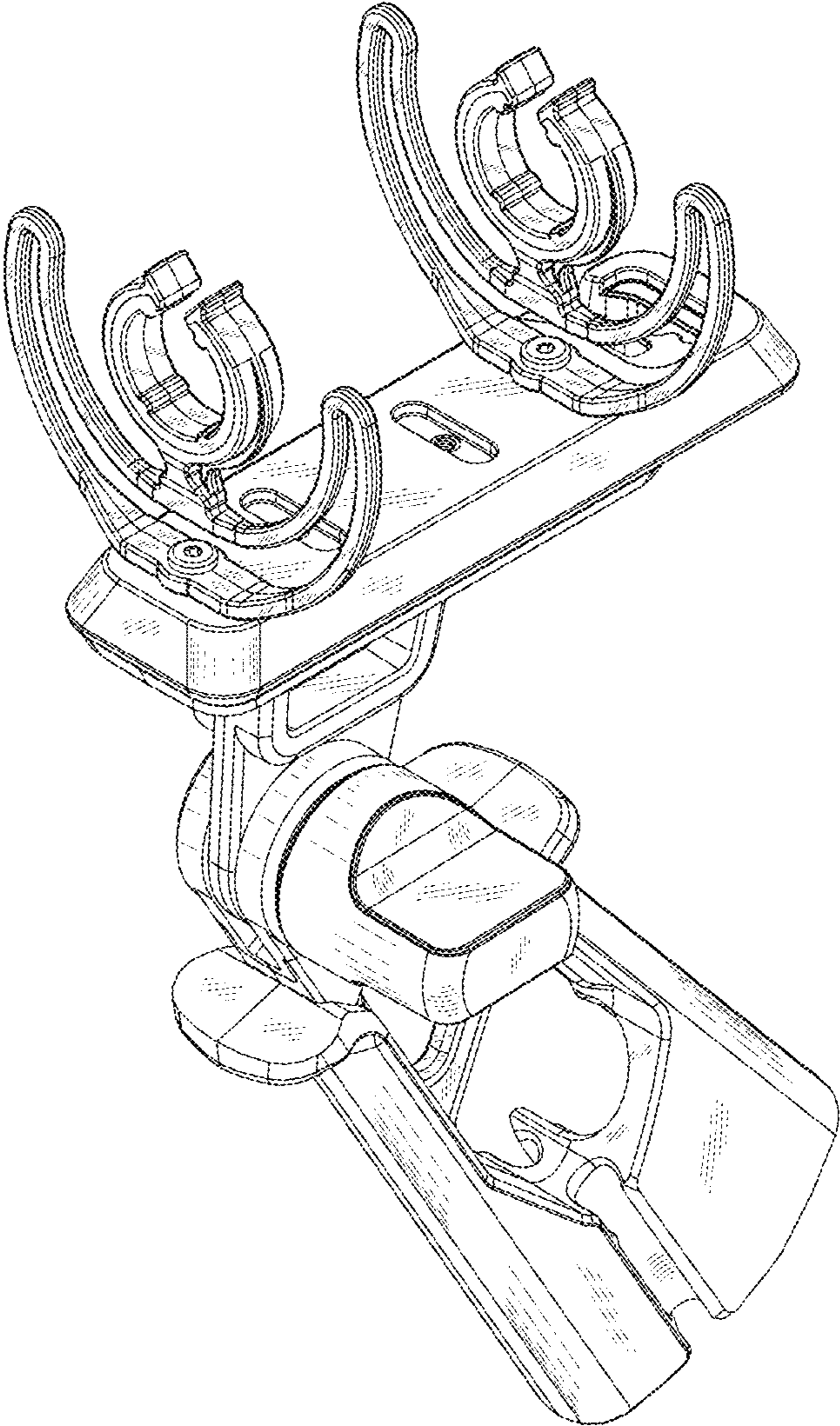


Fig. 1

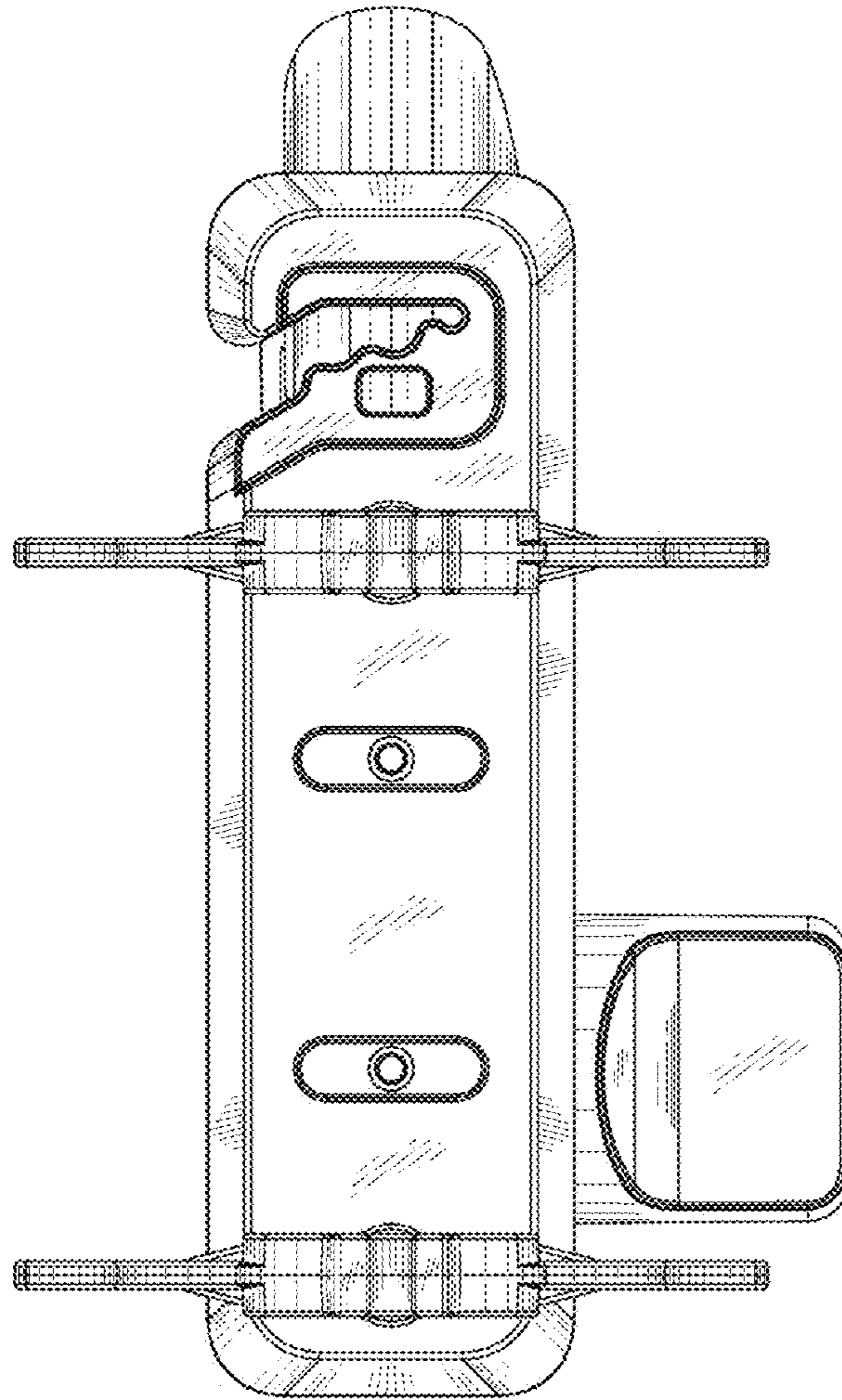


Fig. 2

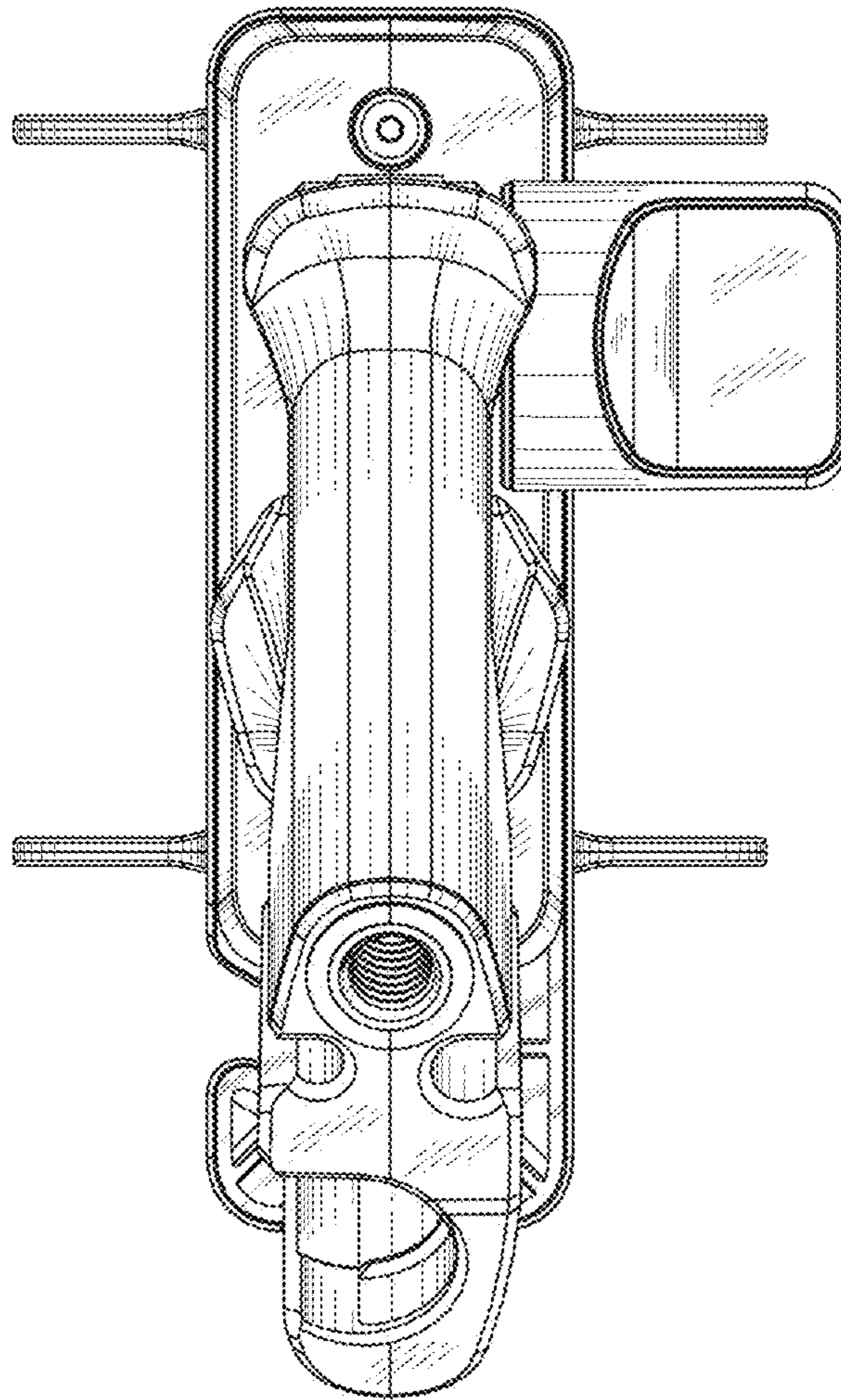


Fig. 3

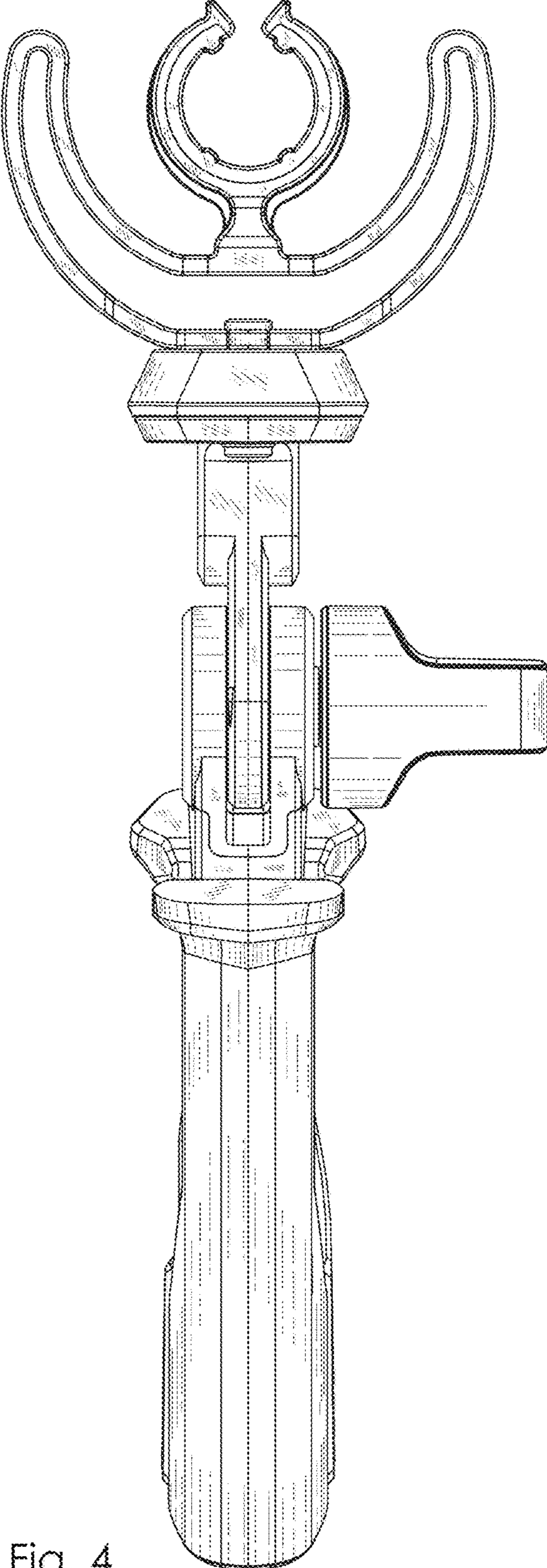


Fig. 4

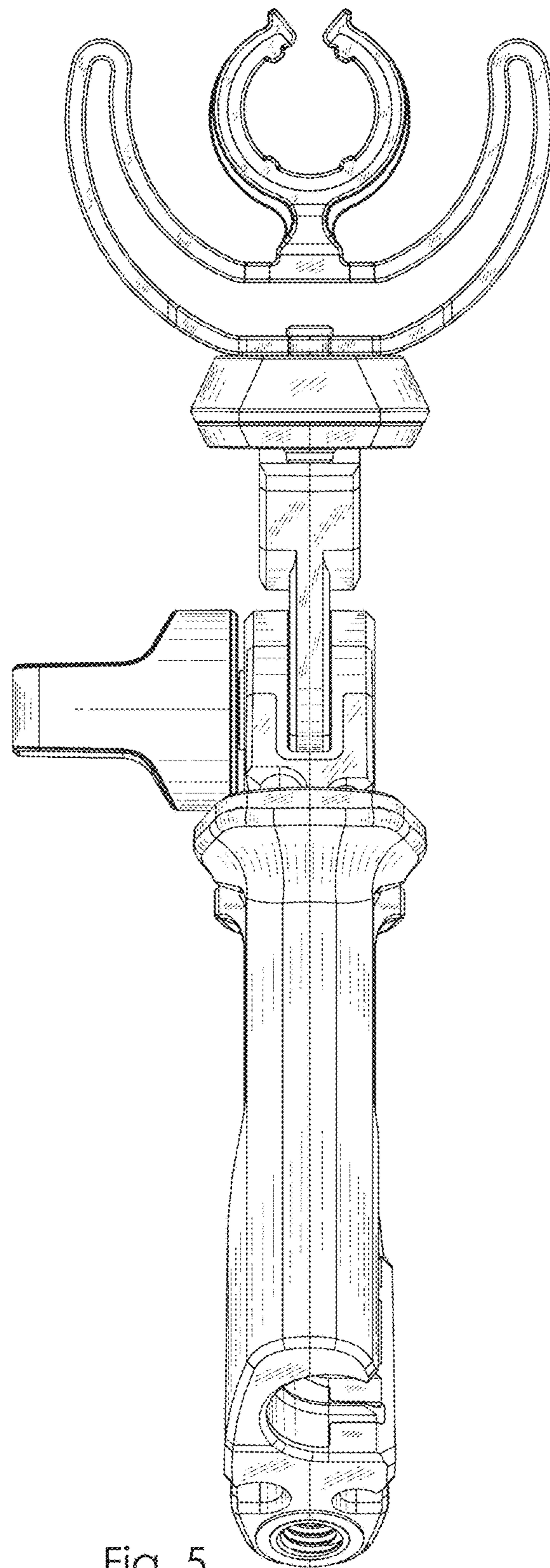


Fig. 5

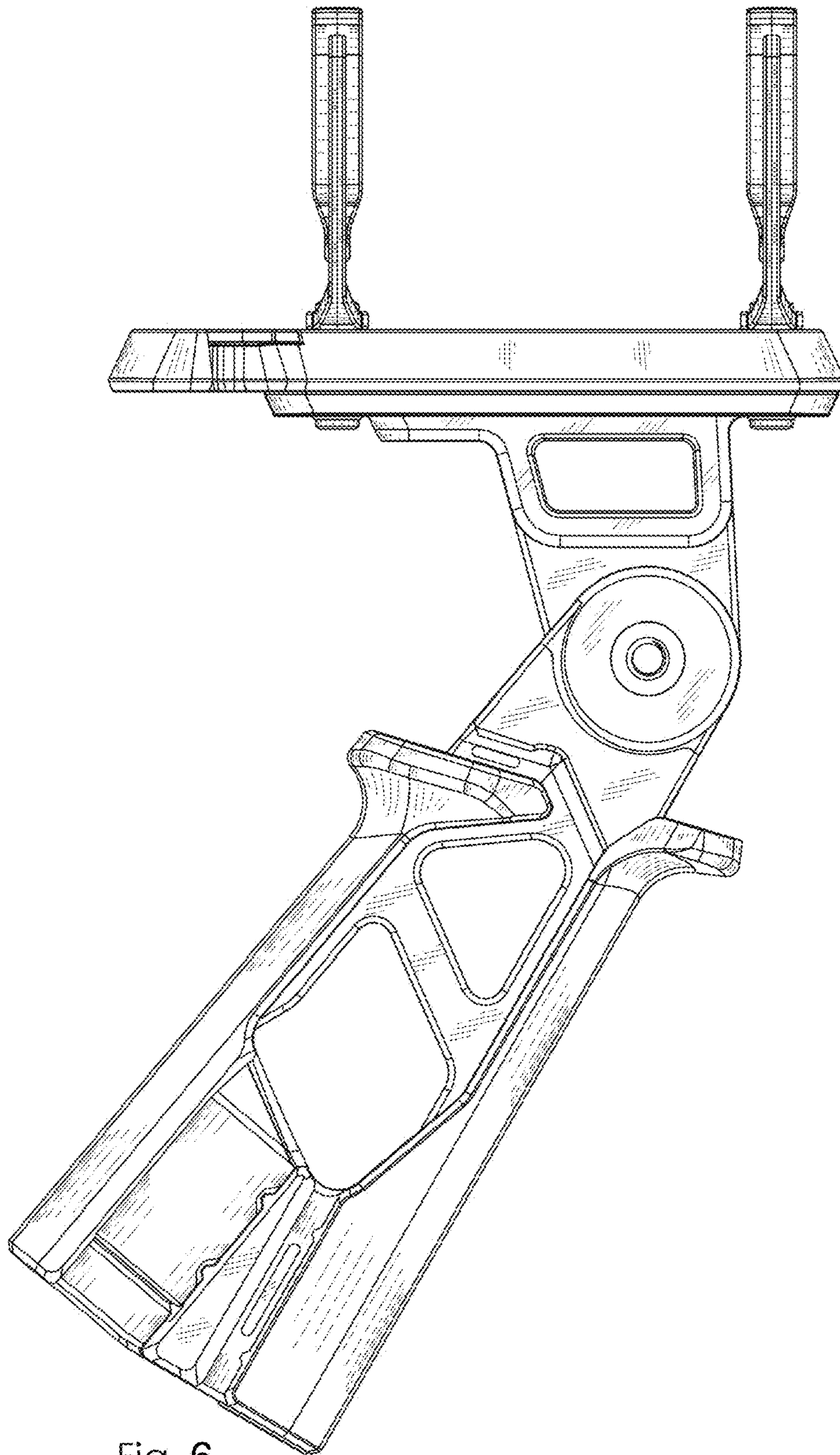


Fig. 6



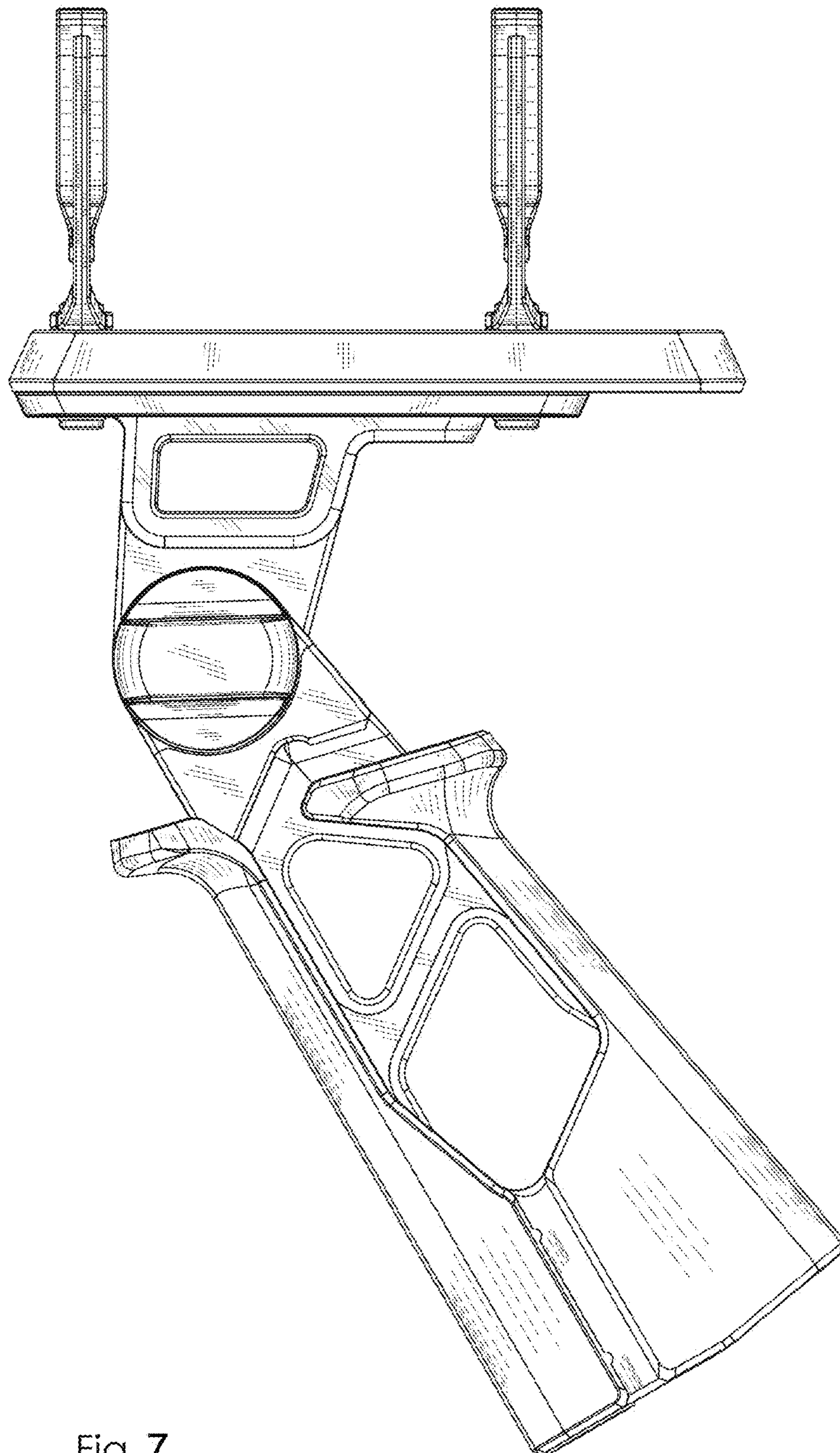


Fig. 7