



US00D823280S

(12) **United States Design Patent**
Guilfoyle et al.

(10) **Patent No.:** **US D823,280 S**
(45) **Date of Patent:** **** Jul. 17, 2018**

(54) **HEADSET MICROPHONE**
(71) Applicant: **Freedman Electronics Pty Limited**,
Silverwater, NSW (AU)
(72) Inventors: **Adam DeGraff Guilfoyle**, Silverwater
(AU); **Sun Kyung Sunwoo**, Silverwater
(AU); **Samuel Dean Trewartha**,
Silverwater (AU)
(73) Assignee: **FREEDMAN ELECTRONICS PTY**
LIMITED, Silverwater, NSW (AU)
(**) Term: **15 Years**
(21) Appl. No.: **29/583,840**
(22) Filed: **Nov. 9, 2016**

(30) **Foreign Application Priority Data**
May 23, 2016 (AU) 201612748
(51) **LOC (11) Cl.** **14-01**
(52) **U.S. Cl.**
USPC **D14/206; D14/226**
(58) **Field of Classification Search**
USPC D14/206, 225, 228, 223, 205, 226;
181/129, 130, 135; 379/430, 431;
381/380, 381, 374, 376; 455/90.3, 575.1,
455/569.1
CPC H04R 25/00; H04R 1/10; H04R 1/1066;
H04R 1/1016; H04R 1/1058; H04R 1/08;
H04R 1/1083; H04R 1/1033; H04R
1/1025; H04R 1/105; H04M 1/05
See application file for complete search history.

(56) **References Cited**
U.S. PATENT DOCUMENTS
2,179,615 A * 11/1939 Craig H04R 25/606
381/380
2,566,313 A * 9/1951 Cates H04R 25/55
181/130

3,280,273 A * 10/1966 Flygstad H04M 1/05
379/430
3,440,365 A * 4/1969 Hazell H04M 1/05
379/430
3,781,492 A * 12/1973 Cragg H04R 1/08
379/430
4,020,297 A * 4/1977 Brodie H04M 1/05
379/430
4,118,606 A * 10/1978 Larkin H04B 1/385
181/20
4,289,938 A * 9/1981 Zichy H04M 1/05
381/120
4,420,657 A * 12/1983 Larkin H04M 1/05
181/129
4,754,484 A * 6/1988 Larkin H04M 1/05
379/419
4,791,673 A * 12/1988 Schreiber H04R 1/1075
381/151
4,926,961 A * 5/1990 Gattey G10K 11/22
181/18

(Continued)

Primary Examiner — Paula Allen Greene
(74) *Attorney, Agent, or Firm* — Chiesa Shahinian &
Giantomasi PC

(57) **CLAIM**
The ornamental design for a headset microphone, as shown
and described.

DESCRIPTION
FIG. 1 is a right isometric view of a new design for a headset
microphone;
FIG. 2 is a left isometric view thereof;
FIG. 3 is a top view thereof;
FIG. 4 is a bottom view thereof;
FIG. 5 is a left side view thereof;
FIG. 6 is a right side view thereof;
FIG. 7 is a front view thereof; and,
FIG. 8 is a rear view thereof.

1 Claim, 8 Drawing Sheets



(56)

References Cited

U.S. PATENT DOCUMENTS

D309,305 S * 7/1990 von Hall D14/225
 4,966,164 A * 10/1990 Colsen A61H 39/002
 128/907
 D318,670 S * 7/1991 Taniguchi D14/205
 5,412,736 A * 5/1995 Keliliki H04R 1/105
 381/330
 5,414,769 A * 5/1995 Gattey H04M 1/05
 379/430
 5,446,788 A * 8/1995 Lucey H04M 1/05
 379/430
 5,533,122 A * 7/1996 Gattey H04M 1/05
 379/430
 5,613,222 A * 3/1997 Guenther B60R 11/0247
 379/430
 5,621,171 A * 4/1997 Fell G01C 19/567
 73/1.77
 5,625,171 A * 4/1997 Marshall H04R 1/1058
 181/130
 D385,885 S * 11/1997 Liao D14/227
 5,761,298 A * 6/1998 Davis H04M 1/05
 379/430
 D396,715 S * 8/1998 Konomi D14/142
 D420,007 S * 2/2000 Marshall D14/206
 D430,139 S * 8/2000 Peters D14/192
 6,272,362 B1 * 8/2001 Wang B60R 11/0217
 455/569.2
 D448,015 S * 9/2001 Lapalme D14/206
 D450,041 S * 11/2001 Nakashima D13/153

6,405,056 B1 * 6/2002 Altschul H04M 1/0235
 455/407
 D471,890 S * 3/2003 Clarkson D14/205
 6,608,908 B1 * 8/2003 Galet A42B 3/30
 379/430
 6,625,293 B1 * 9/2003 Nageno H04R 1/08
 181/20
 6,920,228 B2 * 7/2005 Redmer H04R 1/1058
 381/370
 D533,865 S * 12/2006 Wittenbrock D14/206
 D565,557 S * 4/2008 Kaneda D14/206
 D578,508 S * 10/2008 Wang D14/206
 7,447,529 B2 * 11/2008 Gunter H04R 1/083
 379/430
 D587,678 S * 3/2009 Yuyama D14/205
 D588,099 S * 3/2009 Yuyama D14/205
 D588,110 S * 3/2009 Darbut D14/206
 D593,548 S * 6/2009 von Meiss D14/206
 D607,875 S * 1/2010 Pedersen, II H04R 1/1033
 D14/206
 D620,482 S * 7/2010 Chen D14/225
 D776,637 S * 1/2017 Chen D14/206
 D793,360 S * 8/2017 Birger D14/206
 2004/0022395 A1 * 2/2004 Turnbull H04M 1/05
 381/74
 2007/0104333 A1 * 5/2007 Kuo H04R 1/1025
 381/74
 2008/0159577 A1 * 7/2008 Smith H04M 1/05
 381/361
 2010/0111349 A1 * 5/2010 Devlas H04R 1/1033
 381/380
 2017/0295419 A1 * 10/2017 Poulsen H04R 1/083

* cited by examiner

FIG. 1



FIG. 2

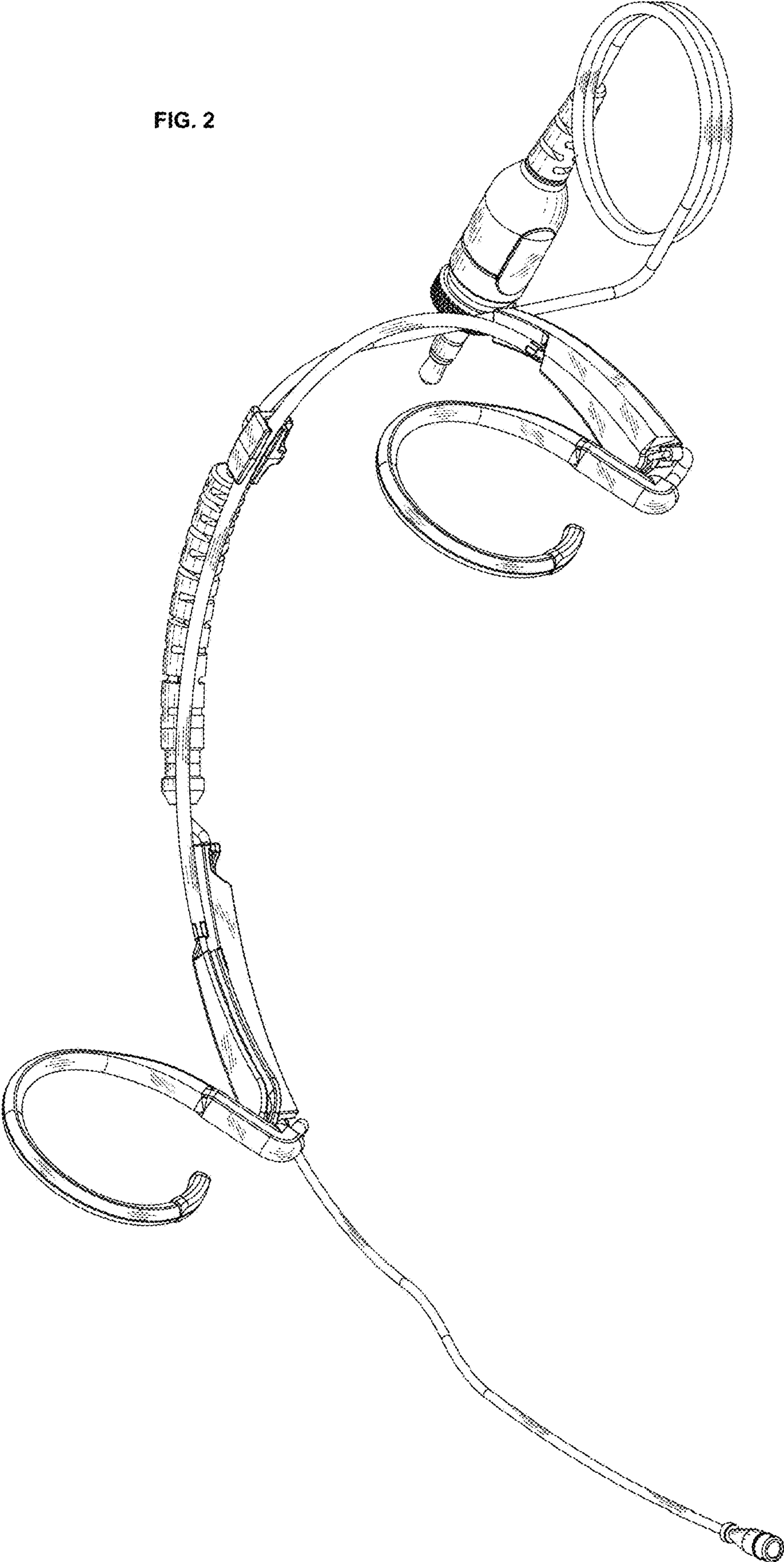


FIG. 3

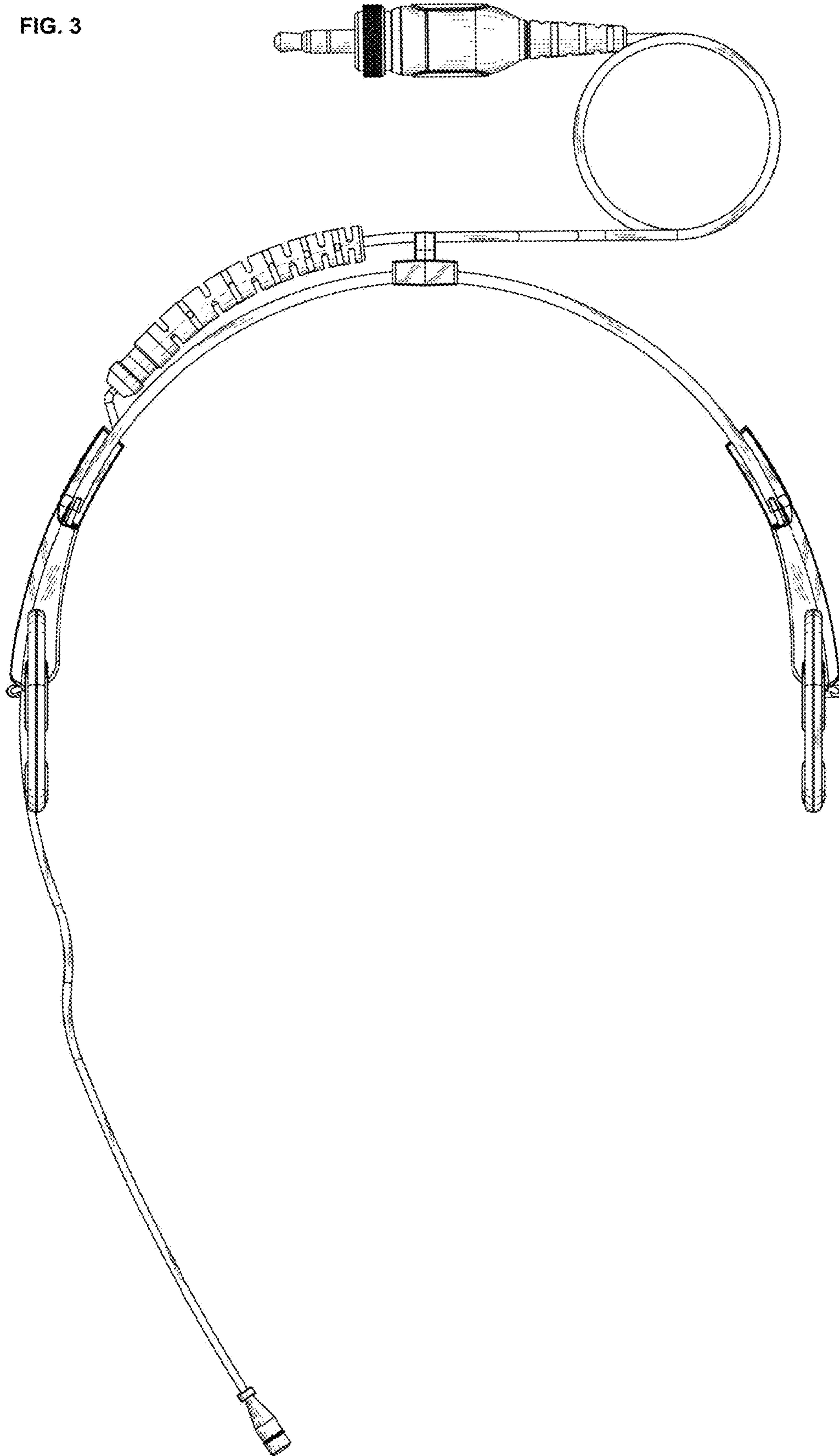




FIG. 4

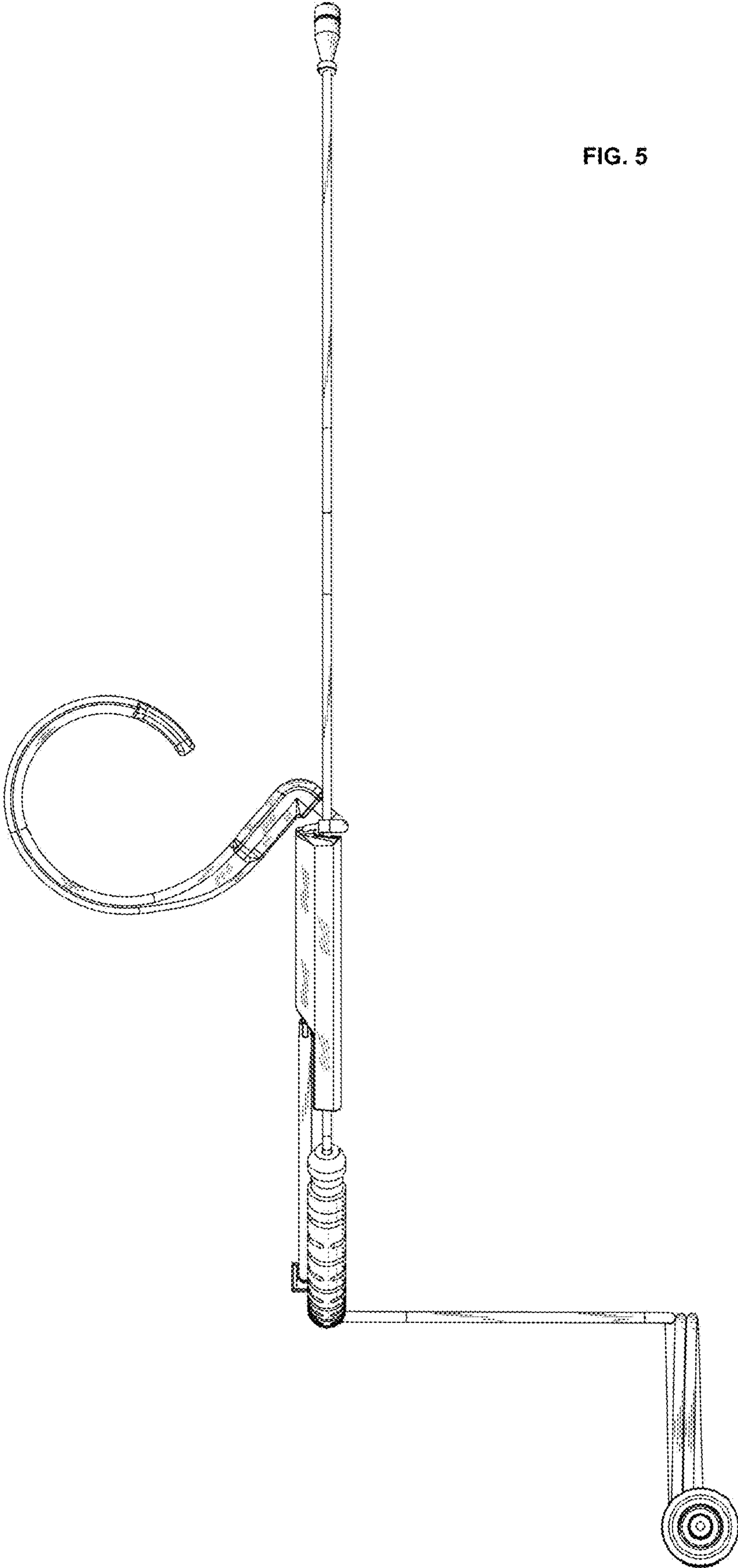


FIG. 6

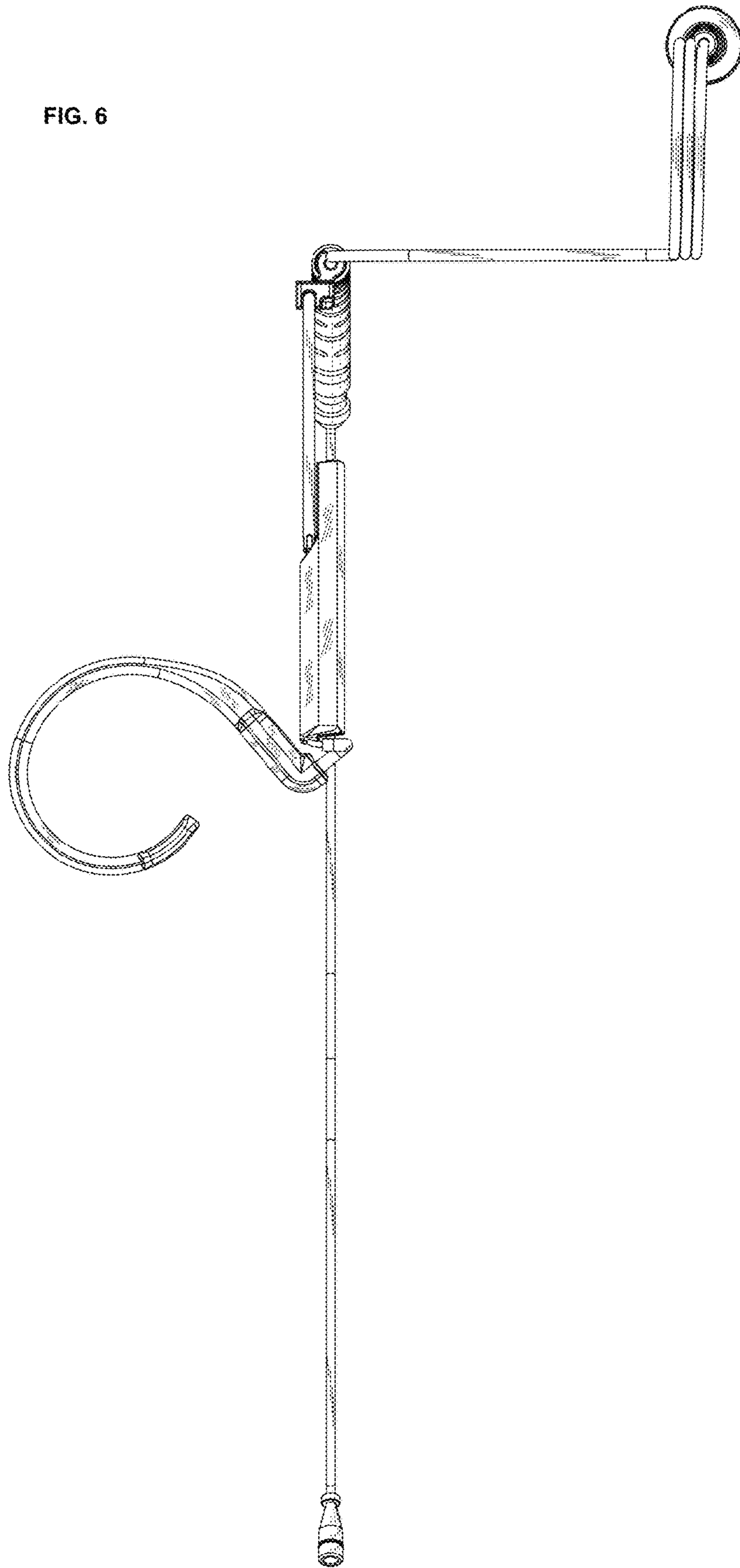


FIG. 7

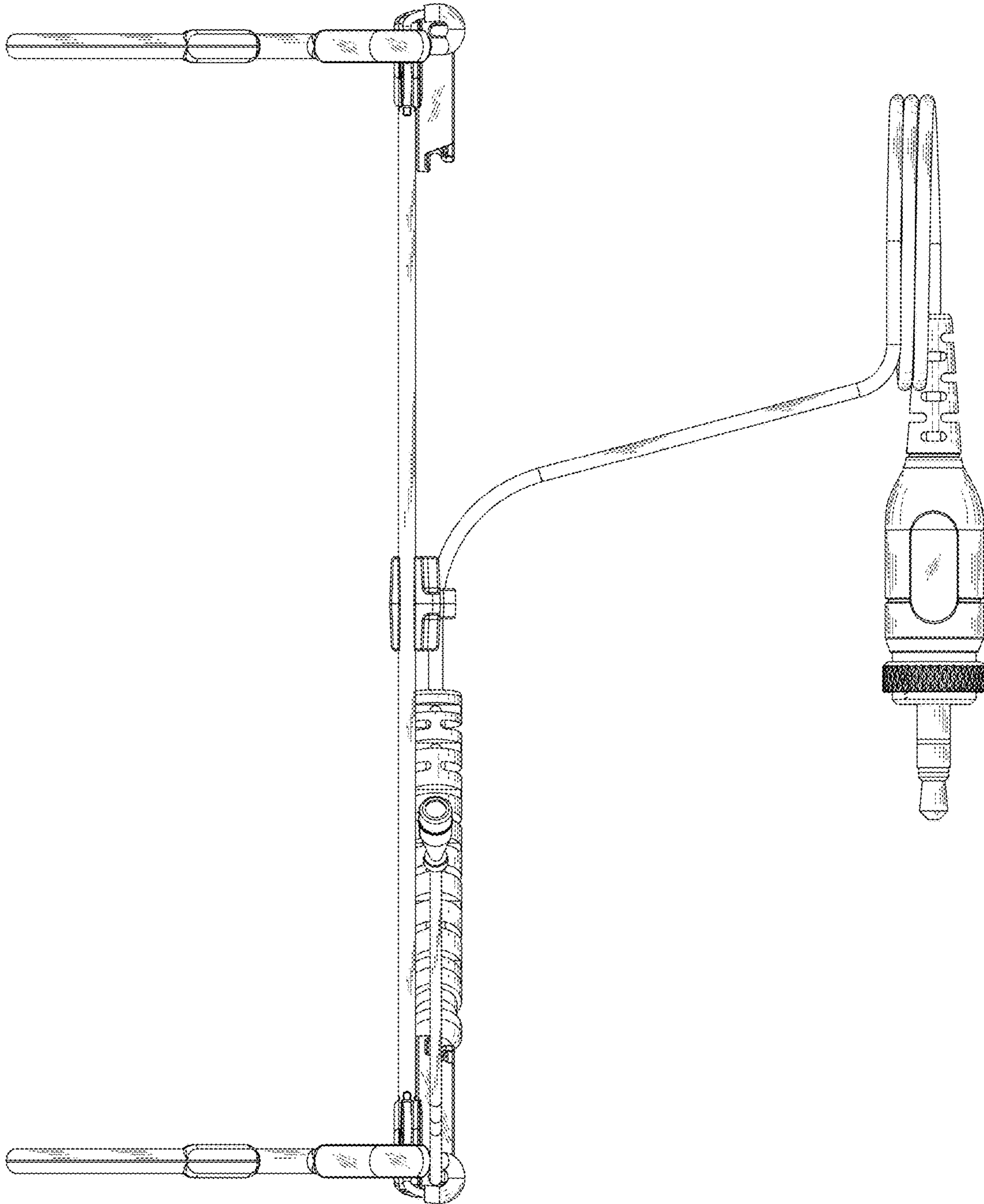


FIG. 8

