



US00D823279S

(12) **United States Design Patent**  
**Chen et al.**

(10) **Patent No.:** **US D823,279 S**  
(45) **Date of Patent:** **\*\* Jul. 17, 2018**

- (54) **BONE CONDUCTION SPEAKER**
- (71) Applicant: **SHENZHEN VOXTECH CO., LTD.**,  
Shenzhen, Guangdong (CN)
- (72) Inventors: **Hao Chen**, Guangdong (CN); **Fen You**,  
Guangdong (CN); **Yueqiang Wang**,  
Guangdong (CN)
- (73) Assignee: **SHENZHEN VOXTECH CO., LTD.**,  
Shenzhen, Guangdong (CN)
- (\*\*) Term: **15 Years**
- (21) Appl. No.: **29/585,454**
- (22) Filed: **Nov. 23, 2016**
- (30) **Foreign Application Priority Data**

Apr. 21, 2016 (CN) ..... 2016 3 0137222

- (51) **LOC (11) Cl.** ..... **14-01**
- (52) **U.S. Cl.**  
USPC ..... **D14/205**
- (58) **Field of Classification Search**  
USPC ..... D14/205, 223, 218; 181/129, 130, 135;  
379/430, 431; 381/380, 381; 455/90.3,  
455/575.1, 569.1; D13/168  
CPC .... H04R 1/1066; H04R 1/1016; H04R 25/00;  
H04R 1/10; H04R 1/46  
See application file for complete search history.

(56) **References Cited**

**U.S. PATENT DOCUMENTS**

D271,301 S *	11/1983	Manning	.....	D13/168
D305,717 S *	1/1990	Soren	.....	D13/103
D315,561 S *	3/1991	Miller	.....	D14/192
D316,550 S *	4/1991	Sogabe	.....	D14/168
D316,551 S *	4/1991	Ichikawa	.....	D14/205
D318,669 S *	7/1991	Nakayama	.....	D14/205
D331,408 S *	12/1992	Ellermeier	.....	D14/205

D337,587 S *	7/1993	Nakayama	.....	D14/205
D351,597 S *	10/1994	Nakamura	.....	D14/205
D368,716 S *	4/1996	Shudo	.....	D14/205
D371,133 S *	6/1996	Andrea	.....	D14/206
D371,558 S *	7/1996	Yoshizawa	.....	D14/205
5,547,751 A *	8/1996	Fujii	.....	G11B 11/10586 369/13.38
D421,014 S *	2/2000	Smith	.....	D14/205
D426,880 S *	6/2000	Leight	.....	D14/223
6,233,345 B1 *	5/2001	Urwylar	.....	H04R 1/1033 351/123
D460,752 S *	7/2002	Gerdom	.....	D14/222
D465,479 S *	11/2002	Tourres	.....	D14/230
D471,176 S *	3/2003	Suzuki	.....	D14/205
D473,217 S *	4/2003	Rivera	.....	D14/223
6,603,863 B1 *	8/2003	Nagayoshi	.....	H04R 1/1066 381/370
D502,463 S *	3/2005	Bhakta	.....	D14/205
D511,157 S *	11/2005	Johnson	.....	D14/223
D524,297 S *	7/2006	Lee	.....	D14/218
D550,202 S *	9/2007	Meier	.....	D14/206

(Continued)

*Primary Examiner* — Paula Allen Greene

(74) *Attorney, Agent, or Firm* — Metis IP LLC

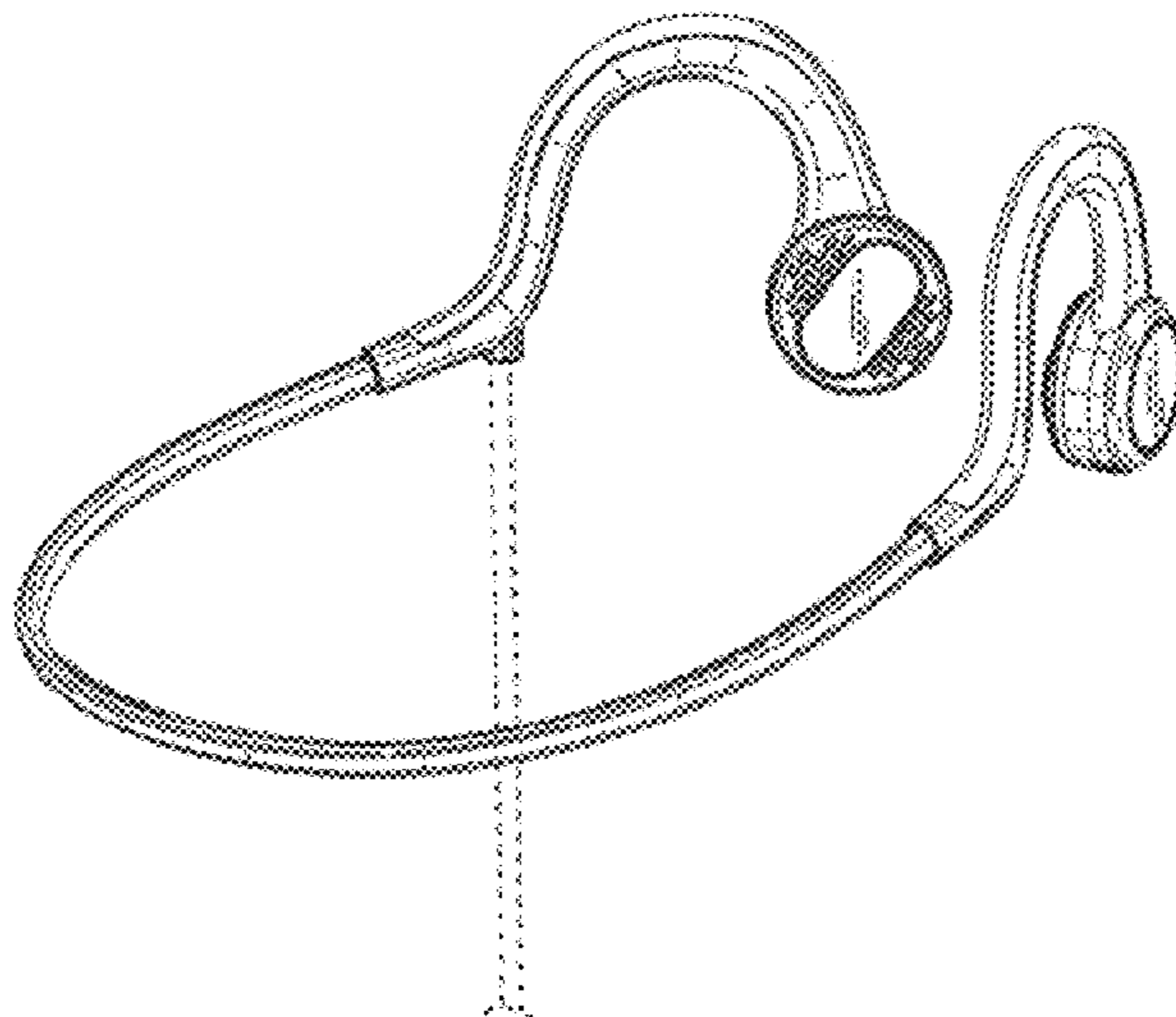
(57) **CLAIM**

The ornamental design for a bone conduction speaker, as shown and described.

**DESCRIPTION**

FIG. 1 is a perspective view of a wearing part of the bone conduction speaker showing our new design;  
 FIG. 2 is a front view thereof;  
 FIG. 3 is a rear view thereof;  
 FIG. 4 is a left view thereof;  
 FIG. 5 is a right view thereof;  
 FIG. 6 is a top view thereof; and,  
 FIG. 7 is a bottom view thereof.  
 The broken lines depict environment that forms no part of the claimed design.

**1 Claim, 7 Drawing Sheets**



(56)

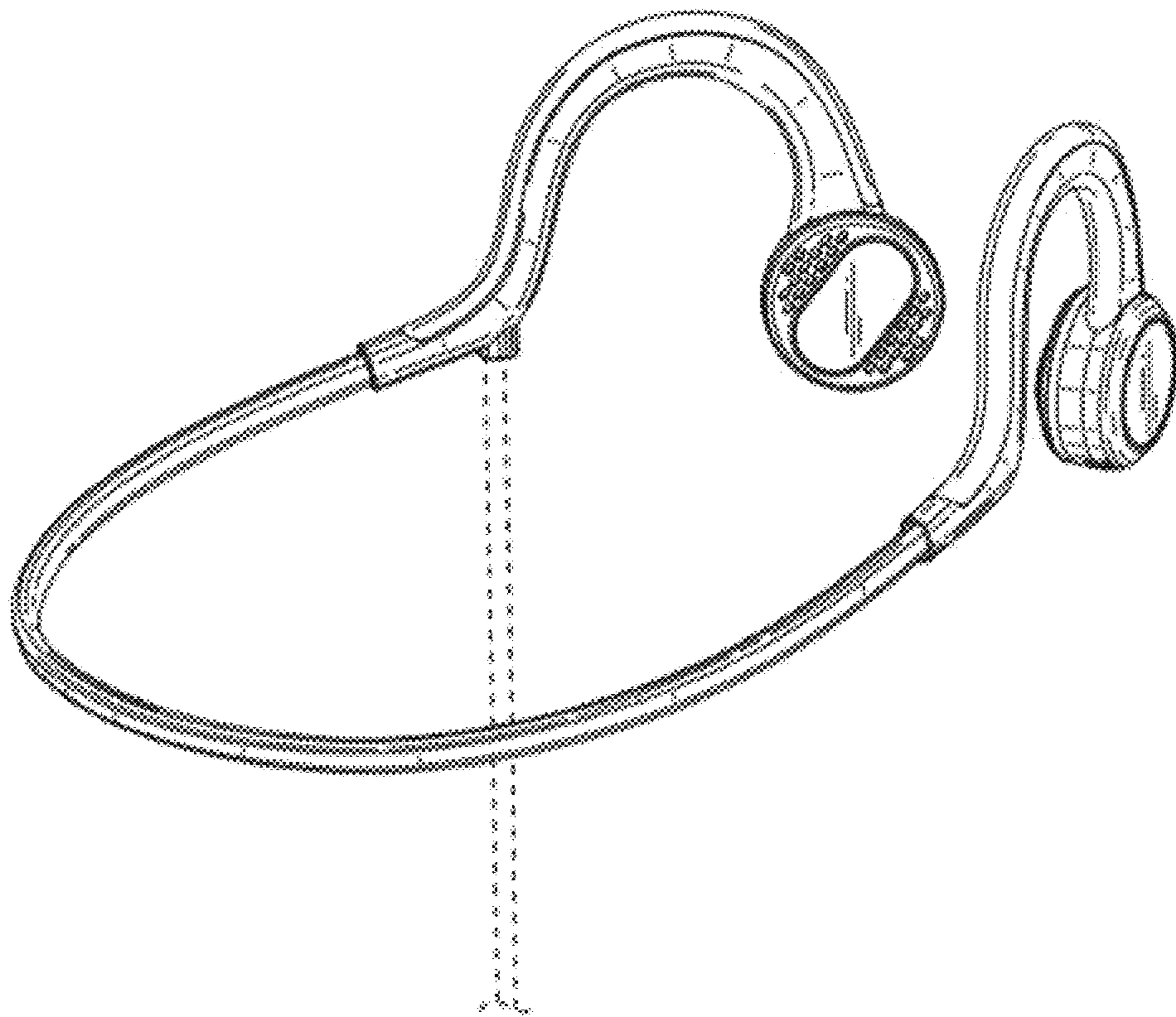
References Cited

U.S. PATENT DOCUMENTS

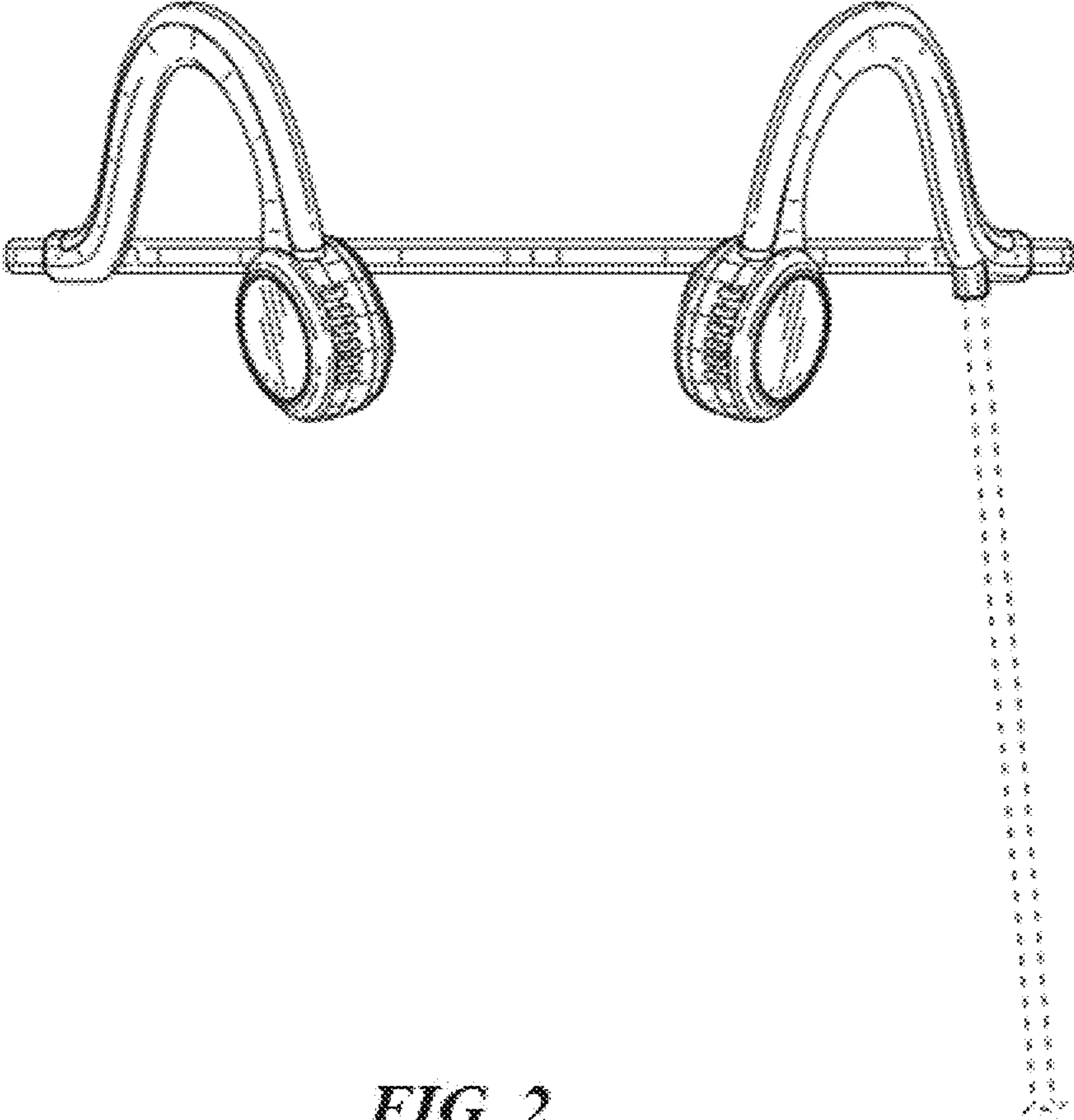
D557,685 S \* 12/2007 Lee ..... D14/205  
 D569,813 S \* 5/2008 Charleux ..... D13/168  
 D575,268 S \* 8/2008 Christopher ..... D14/205  
 D579,442 S \* 10/2008 Kim ..... D14/205  
 D592,640 S \* 5/2009 Tkachuk ..... D14/205  
 D604,269 S \* 11/2009 Choe ..... D14/205  
 D606,980 S \* 12/2009 Bradford ..... D14/218  
 D614,166 S \* 4/2010 Brickstad ..... D14/205  
 D617,308 S \* 6/2010 Nousiainen ..... D14/205  
 D623,627 S \* 9/2010 Alden ..... D14/205  
 D653,234 S \* 1/2012 Lee ..... D14/205  
 D669,881 S \* 10/2012 Clements ..... D14/205  
 D678,858 S \* 3/2013 Feng ..... D14/205  
 8,411,893 B2 \* 4/2013 Ito ..... H04R 1/105  
 181/135  
 8,433,082 B2 \* 4/2013 Abolfathi ..... H04R 1/46  
 381/151  
 8,472,659 B2 \* 6/2013 Liow ..... H04R 1/1041  
 381/123  
 D685,750 S \* 7/2013 Nakagawa ..... D13/168  
 D695,264 S \* 12/2013 Chee ..... D14/205  
 D706,745 S \* 6/2014 Nakagawa ..... H04R 1/1066  
 D14/205  
 D707,199 S \* 6/2014 Ceyress ..... H04R 1/10  
 D14/205

D710,325 S \* 8/2014 Behar ..... H04R 5/033  
 D14/205  
 D710,828 S \* 8/2014 Liu ..... D14/218  
 8,861,770 B2 \* 10/2014 Blair ..... H04R 1/1058  
 381/378  
 D716,759 S \* 11/2014 Ha ..... D14/205  
 D717,765 S \* 11/2014 Rausch ..... D14/205  
 D721,673 S \* 1/2015 Park ..... D14/205  
 D722,999 S \* 2/2015 Ishikura ..... D14/205  
 D728,528 S \* 5/2015 Akana ..... D14/218  
 D740,785 S \* 10/2015 Chen ..... D14/205  
 D756,958 S \* 5/2016 Lee ..... D14/205  
 D756,959 S \* 5/2016 Lee ..... D14/205  
 D766,869 S \* 9/2016 Lee ..... D14/205  
 D769,218 S \* 10/2016 Mittal ..... D14/205  
 D771,587 S \* 11/2016 Iwane ..... D14/205  
 D790,502 S \* 6/2017 Qi ..... D14/205  
 D790,503 S \* 6/2017 Lok ..... D14/205  
 D791,100 S \* 7/2017 Chen ..... D14/205  
 D801,301 S \* 10/2017 Damboulev ..... D14/205  
 2010/0135515 A1 \* 6/2010 Walsh ..... H04R 1/1008  
 381/374  
 2013/0329903 A1 \* 12/2013 Ting ..... H04R 1/105  
 381/74  
 2014/0185837 A1 \* 7/2014 Kunimoto ..... H04R 1/1075  
 381/151

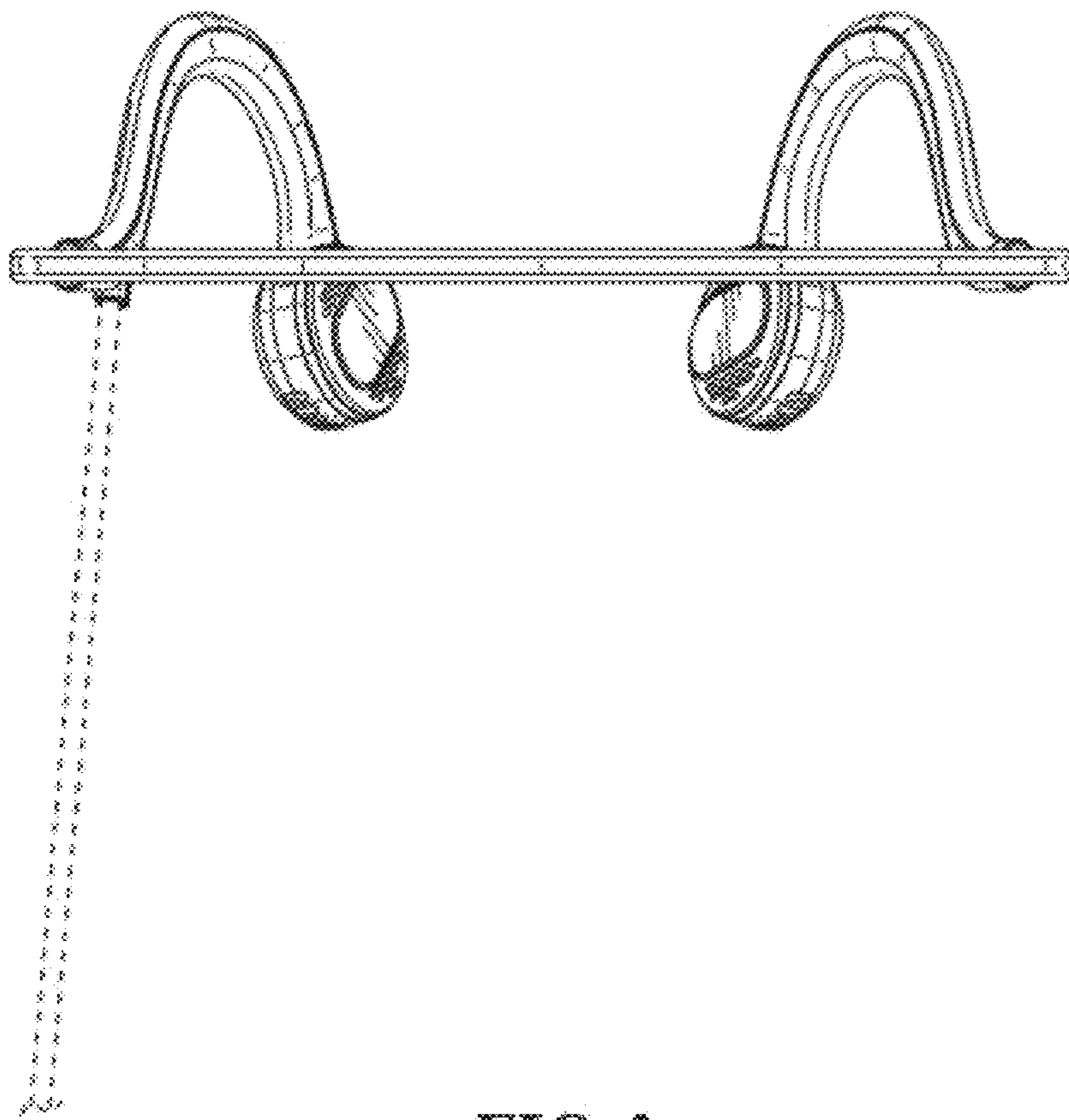
\* cited by examiner



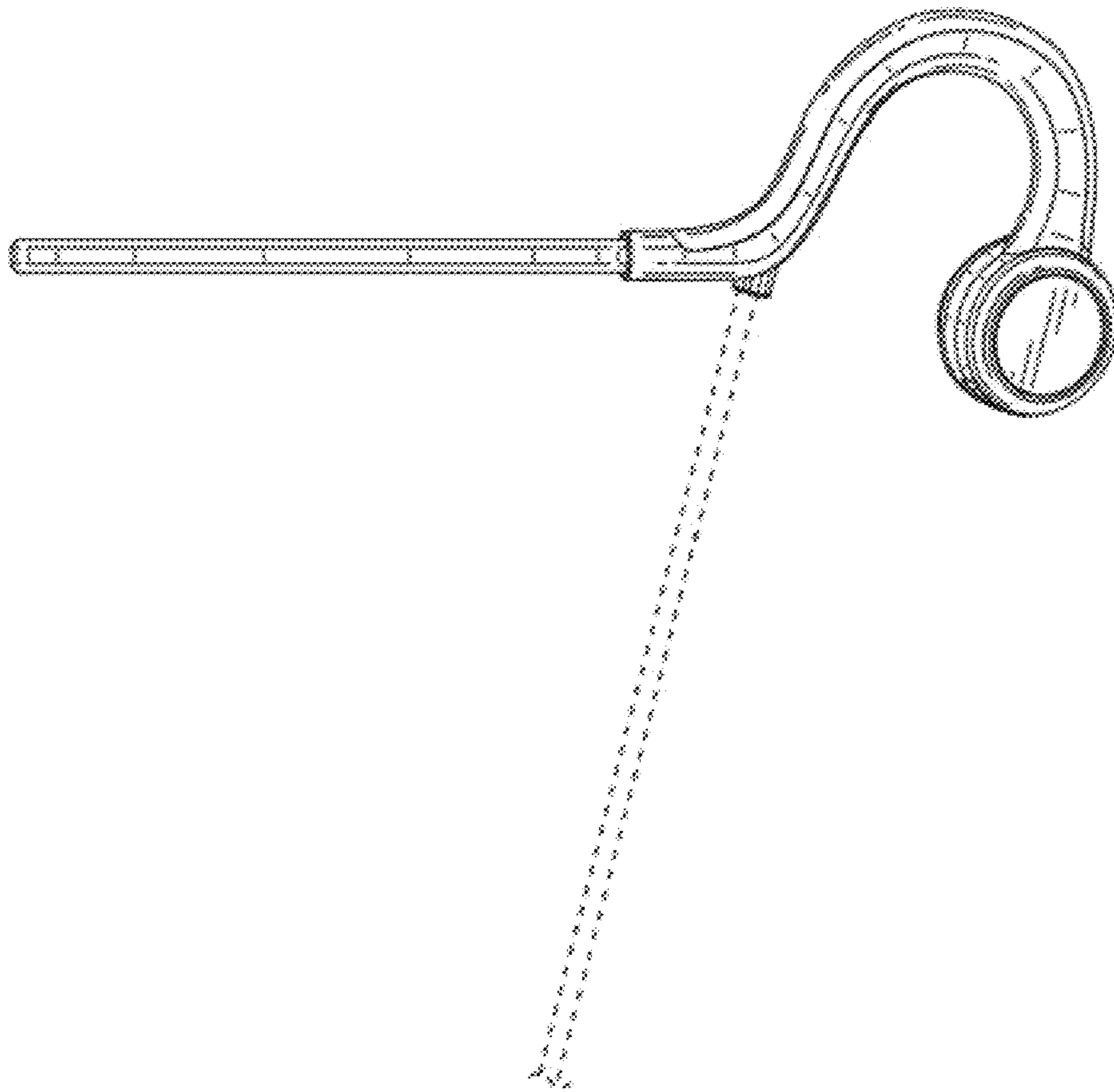
*FIG. 1*



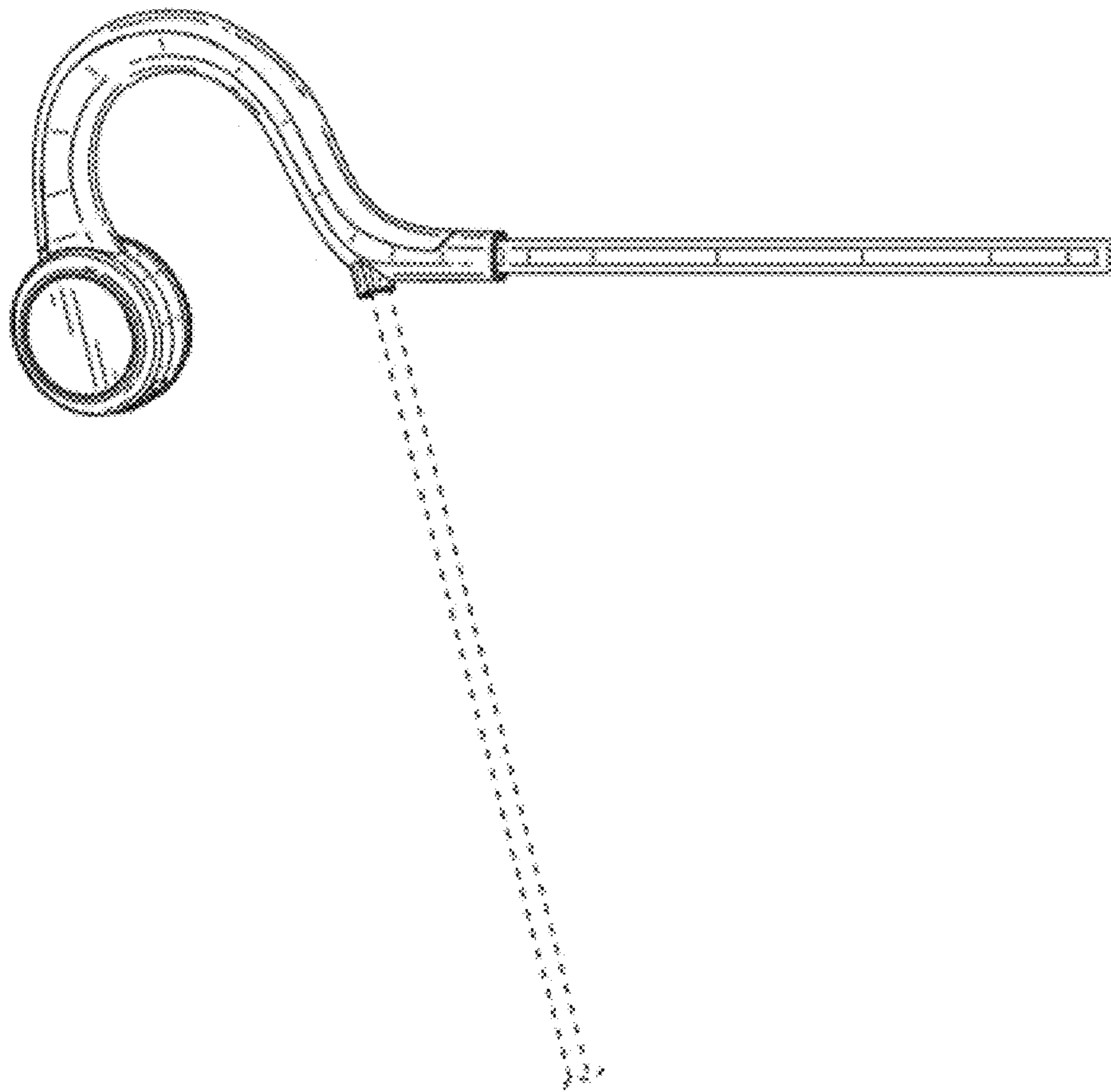
*FIG. 2*



*FIG. 3*



**FIG. 4**



*FIG. 5*



*FIG. 6*





**FIG. 7**