



US00D823274S

(12) **United States Design Patent**  
**Hu**

(10) **Patent No.:** **US D823,274 S**  
(45) **Date of Patent:** **\*\* Jul. 17, 2018**

(54) **TRANSMITTER**

FOREIGN PATENT DOCUMENTS

(71) Applicant: **MPOW TECHNOLOGY CO., LIMITED**, Hong Kong (HK)

EM 003785468-0001 3/2017

(72) Inventor: **Zaihui Hu**, Shenzhen (CN)

OTHER PUBLICATIONS

(73) Assignee: **MPOW TECHNOLOGY CO., LIMITED**, Hong Kong (HK)

TaoTronics Wireless Portable Bluetooth Transmitter Connected to 3.5mm Audio Devices, Paired with Bluetooth Receiver, Bluetooth Dongle, A2DP Stereo Music Transmission for TV, <https://www.amazon.com/dp/B074QLB1Y7>, TaoTronics.

(\*\*) Term: **15 Years**

Portable Bluetooth 4.1 Transmitter Receiver for TV / Car (3.5mm, RCA), TOP-MAX Portable Wireless Stereo Music Transmitter Receiver for 3.5mm Audio Devices—Paired with 2 Bluetooth Headphones, aptX-LL Low Latency, A2DP Stereo Music Transmission., <https://www.amazon.co.uk/dp/B078YNCRGJ>, TOP-MAX.

(21) Appl. No.: **29/644,297**

(22) Filed: **Apr. 16, 2018**

(51) **LOC (11) Cl.** ..... **14-03**

\* cited by examiner

(52) **U.S. Cl.**

*Primary Examiner* — Austin Murphy

USPC ..... **D14/155**

(74) *Attorney, Agent, or Firm* — JCIPRNET

(58) **Field of Classification Search**

USPC ..... D14/167, 154, 168, 188, 496, 156, 160, D14/161, 162, 163, 164, 165, 158, 341, D14/346, 342, 345, 155, 218, 225; D16/208; D26/38; 455/351, 350, 575.1, 455/556.1; D10/104, 106, 65, 57

(57) **CLAIM**

CPC .... H04B 1/385; H04M 1/6091; H04M 1/6066  
See application file for complete search history.

The ornamental design for a transmitter, as shown and described.

**DESCRIPTION**

(56) **References Cited**

U.S. PATENT DOCUMENTS

D439,243 S	*	3/2001	Miyazaki	.....	D14/137
D518,469 S	*	4/2006	Barad	.....	D10/121
D540,774 S	*	4/2007	Alwicker	.....	D14/155
D583,796 S	*	12/2008	Tanaka	.....	D14/155
D585,048 S	*	1/2009	Uchimura	.....	D14/155
D603,834 S	*	11/2009	Lyman	.....	D14/155
D609,687 S	*	2/2010	Lyman	.....	D14/155
D682,806 S	*	5/2013	Smith	.....	D14/155
D705,748 S	*	5/2014	He	.....	D14/155
D731,997 S	*	6/2015	Brennwald	.....	D14/155
D808,356 S	*	1/2018	Miller	.....	D14/155
D816,057 S	*	4/2018	Jue	.....	D14/155
D816,058 S	*	4/2018	Zeng	.....	D14/155

FIG. 1 is a perspective view of a transmitter showing my new design;

FIG. 2 is another perspective view thereof;

FIG. 3 is a front view thereof;

FIG. 4 is a rear view thereof;

FIG. 5 is a left side view thereof;

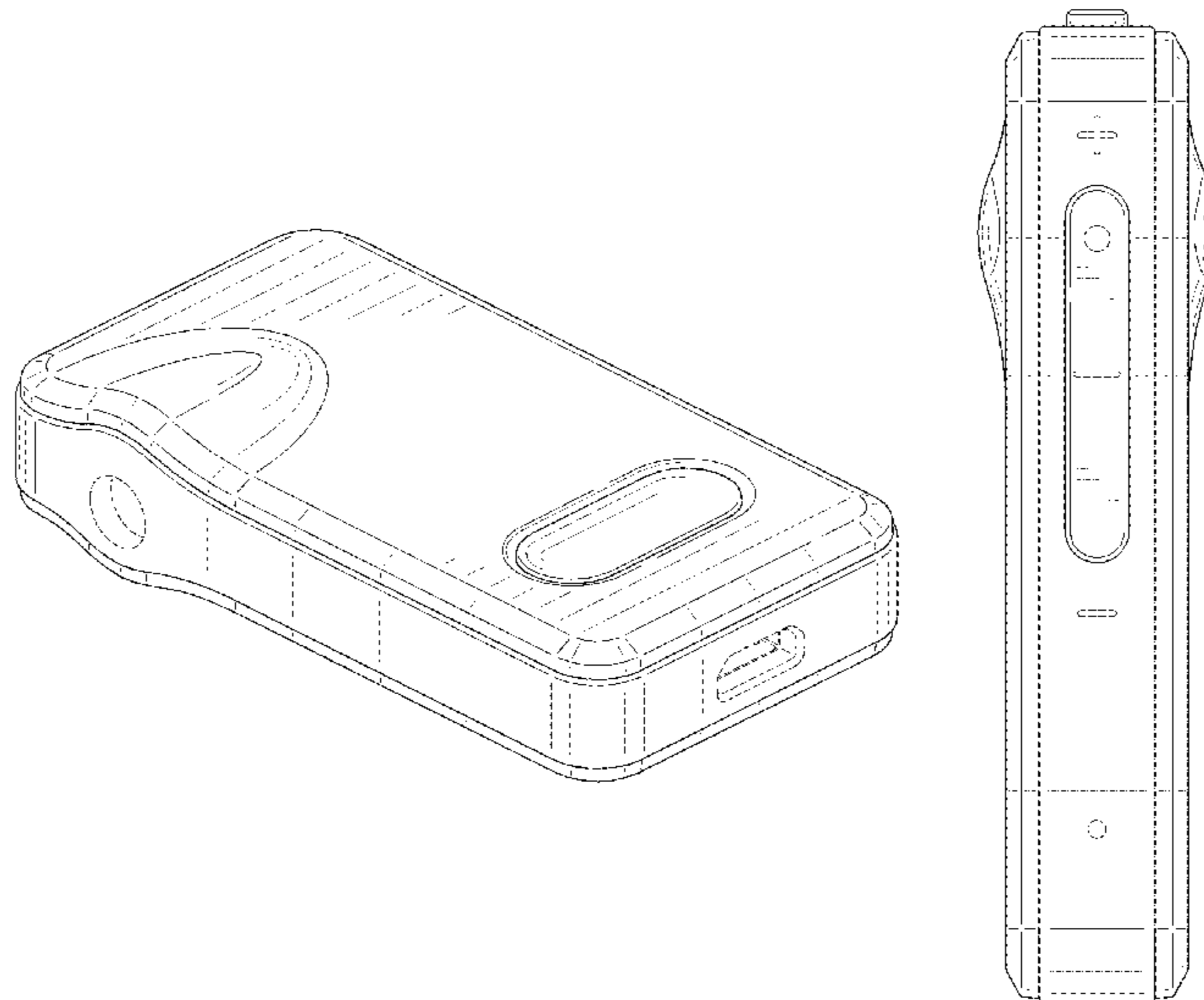
FIG. 6 is a right side view thereof;

FIG. 7 is a top view thereof; and,

FIG. 8 is a bottom view thereof.

The broken lines showing portions of the transmitter represent unclaimed portions of the claimed design and form no part of the claimed design.

**1 Claim, 6 Drawing Sheets**



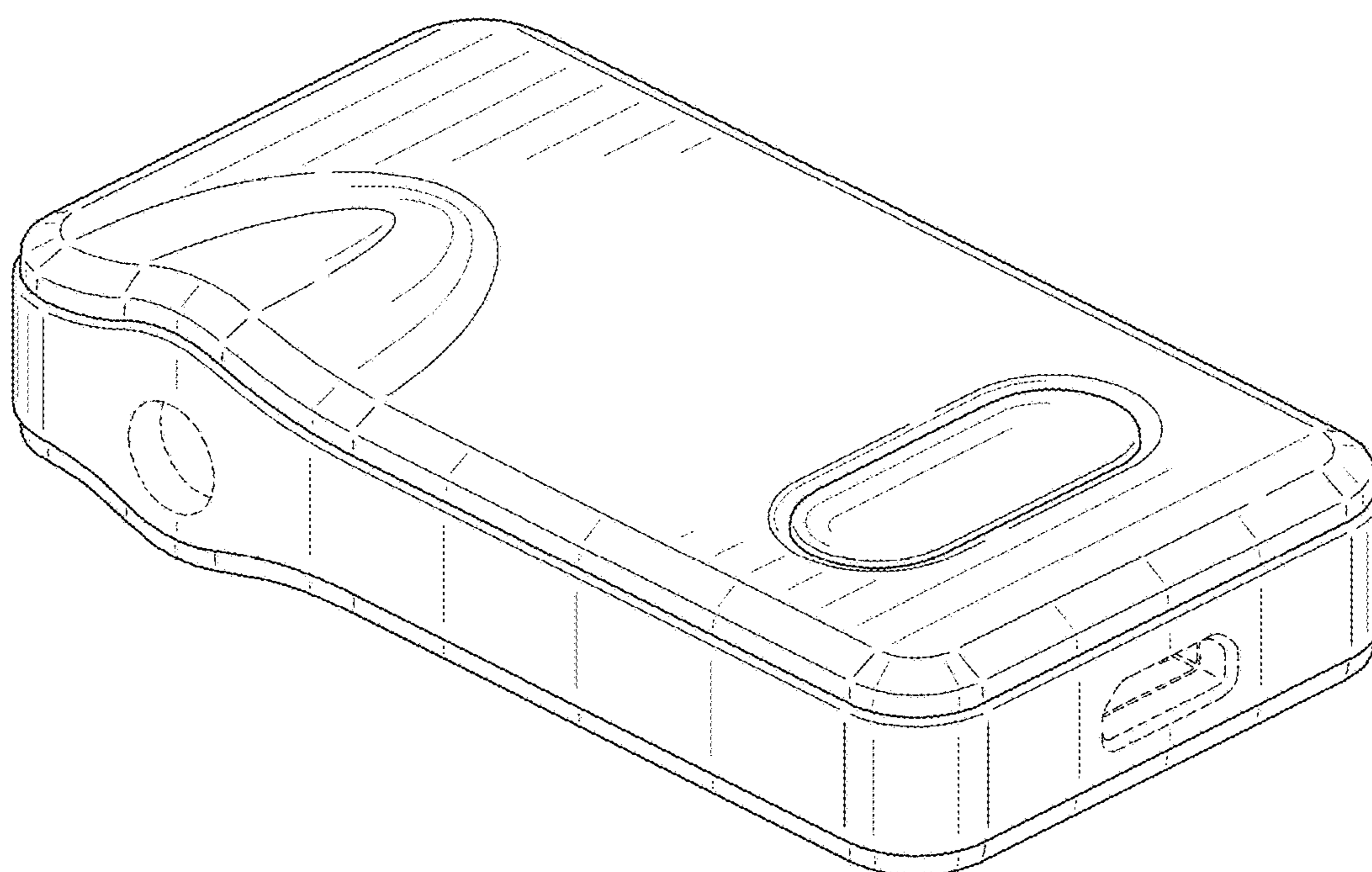


FIG. 1

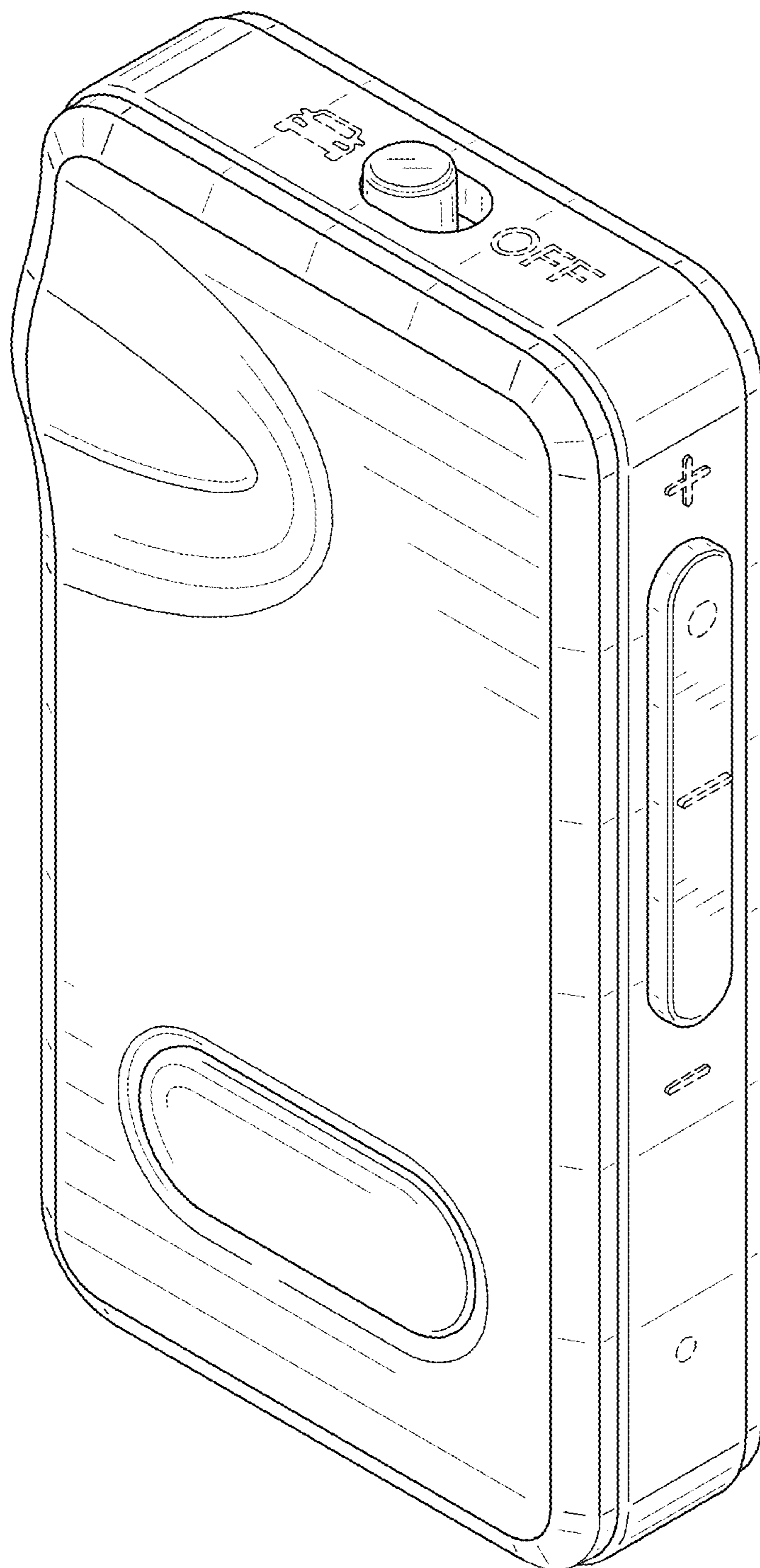


FIG. 2

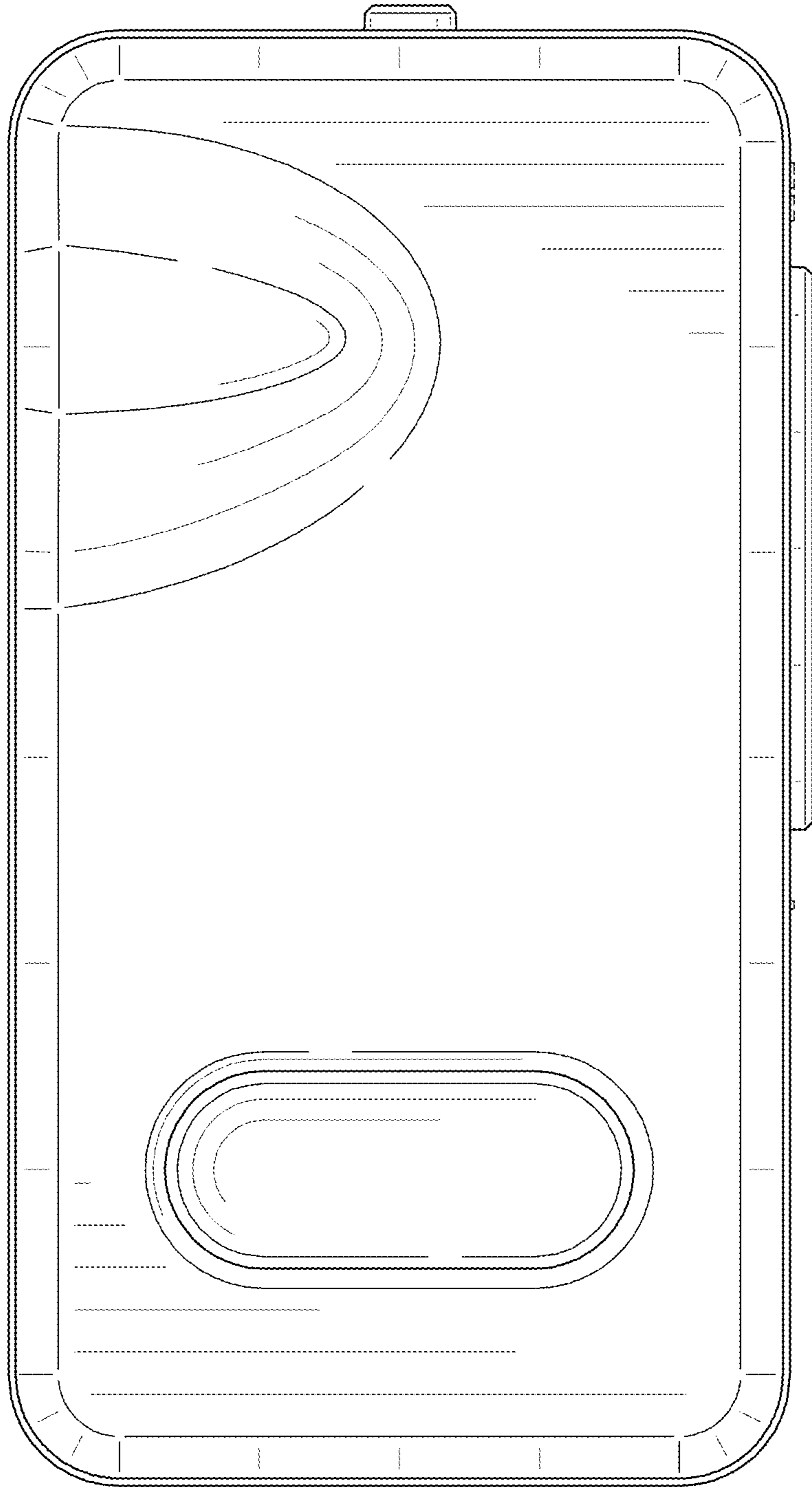


FIG. 3

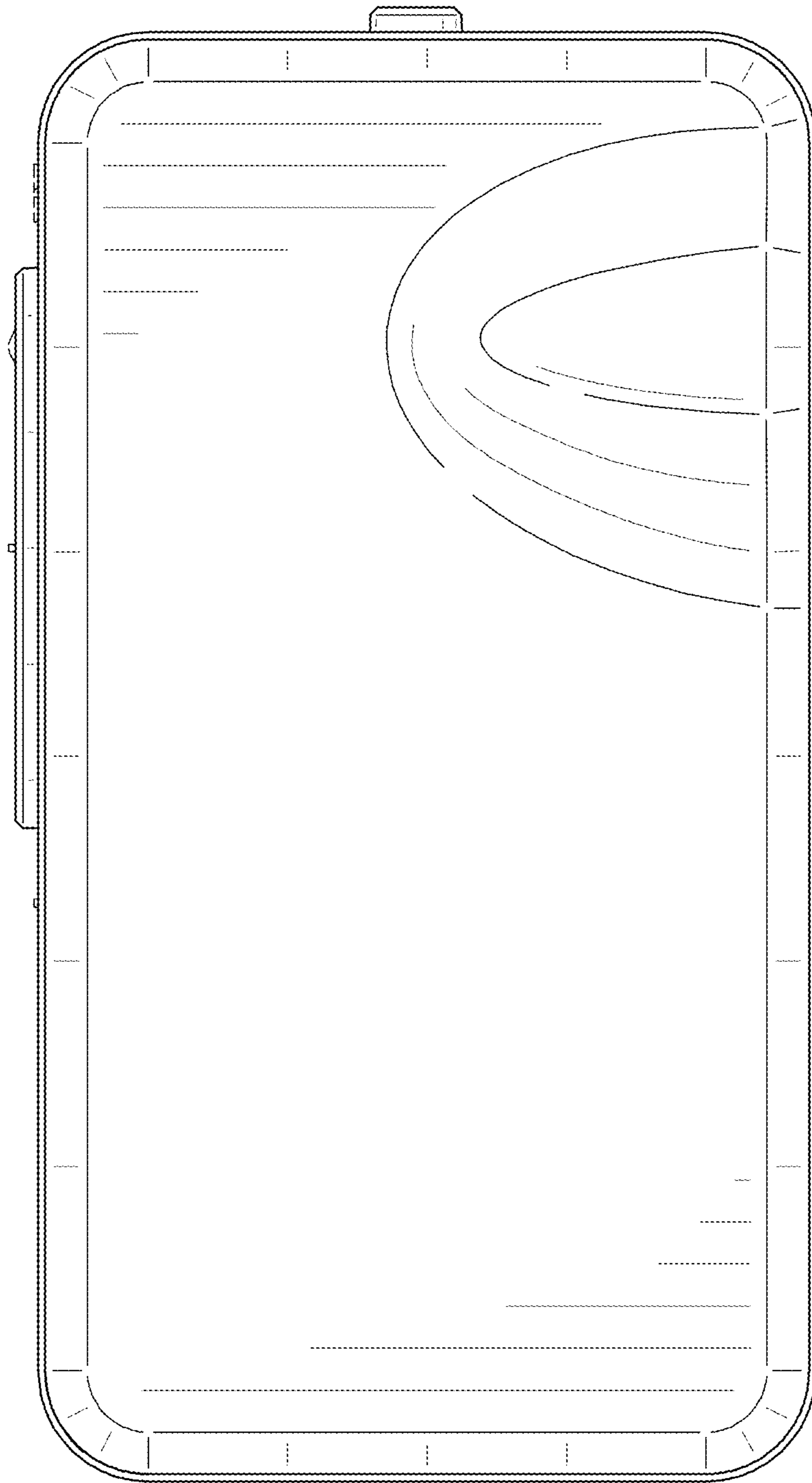


FIG. 4

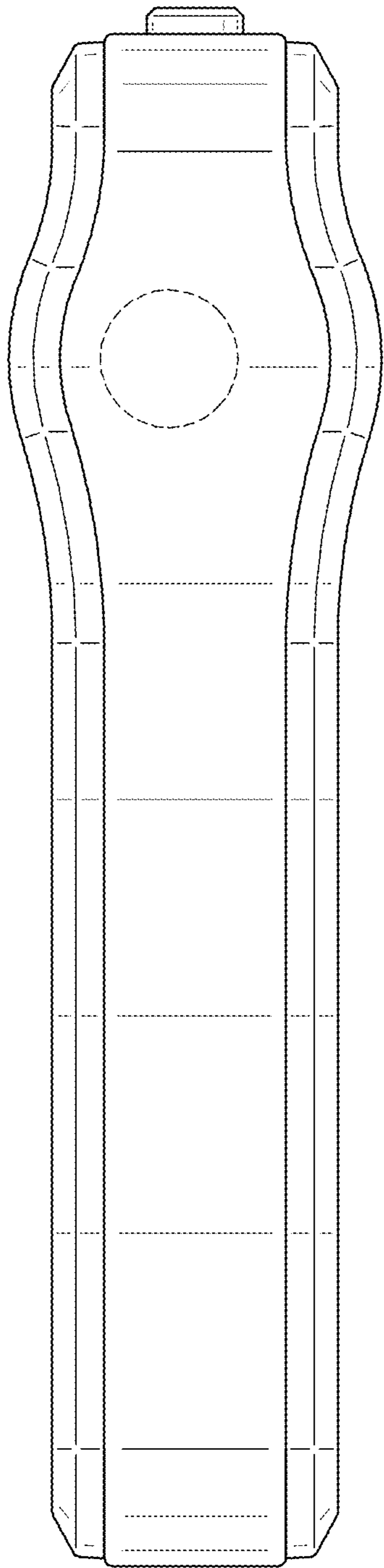


FIG. 5

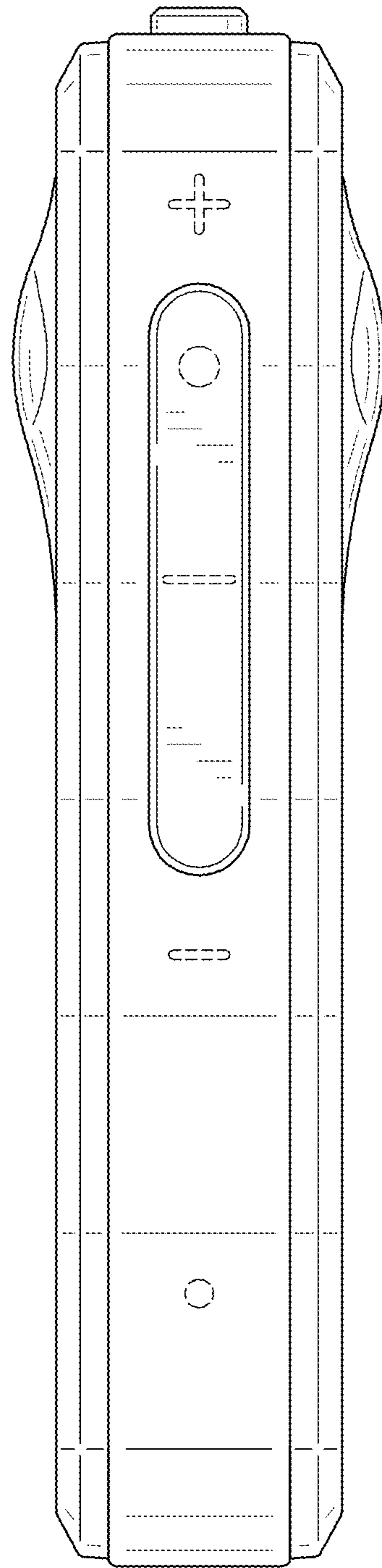


FIG. 6

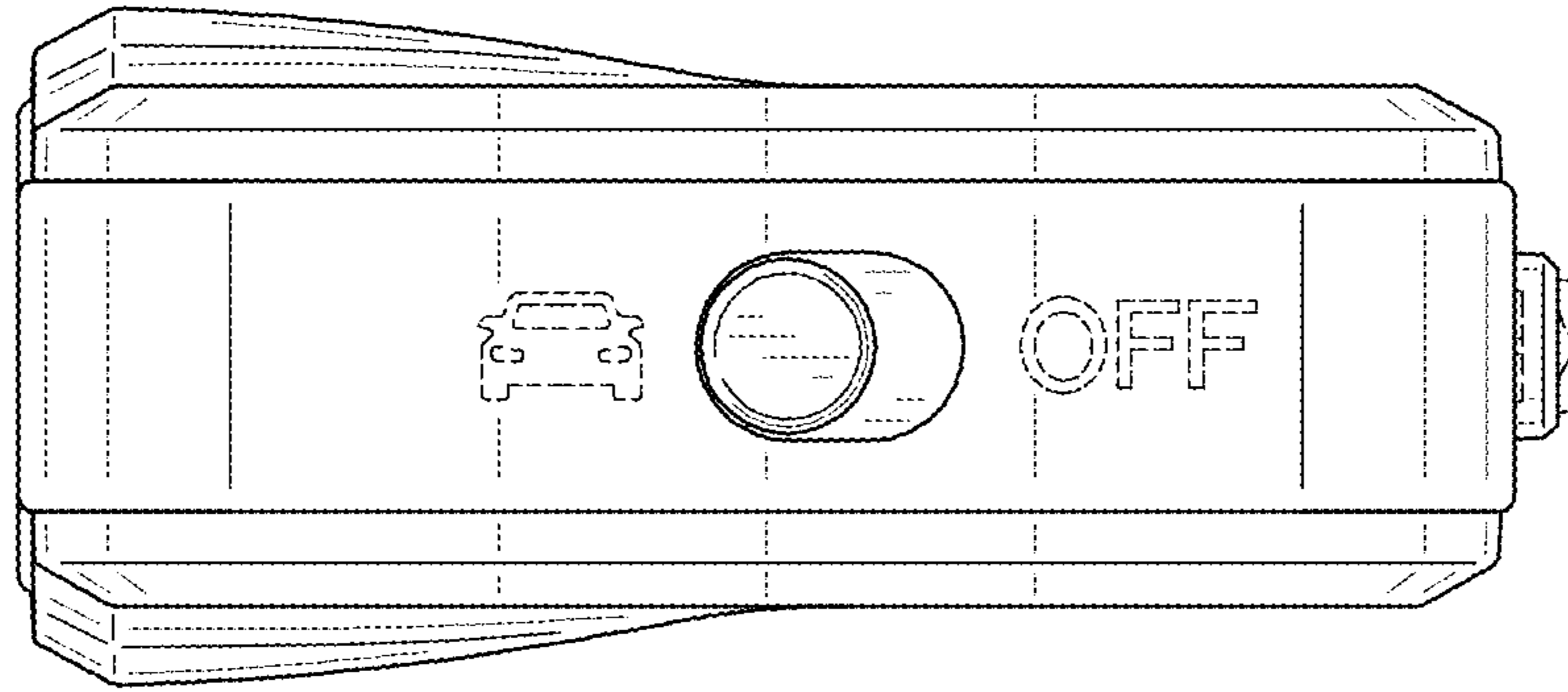


FIG. 7

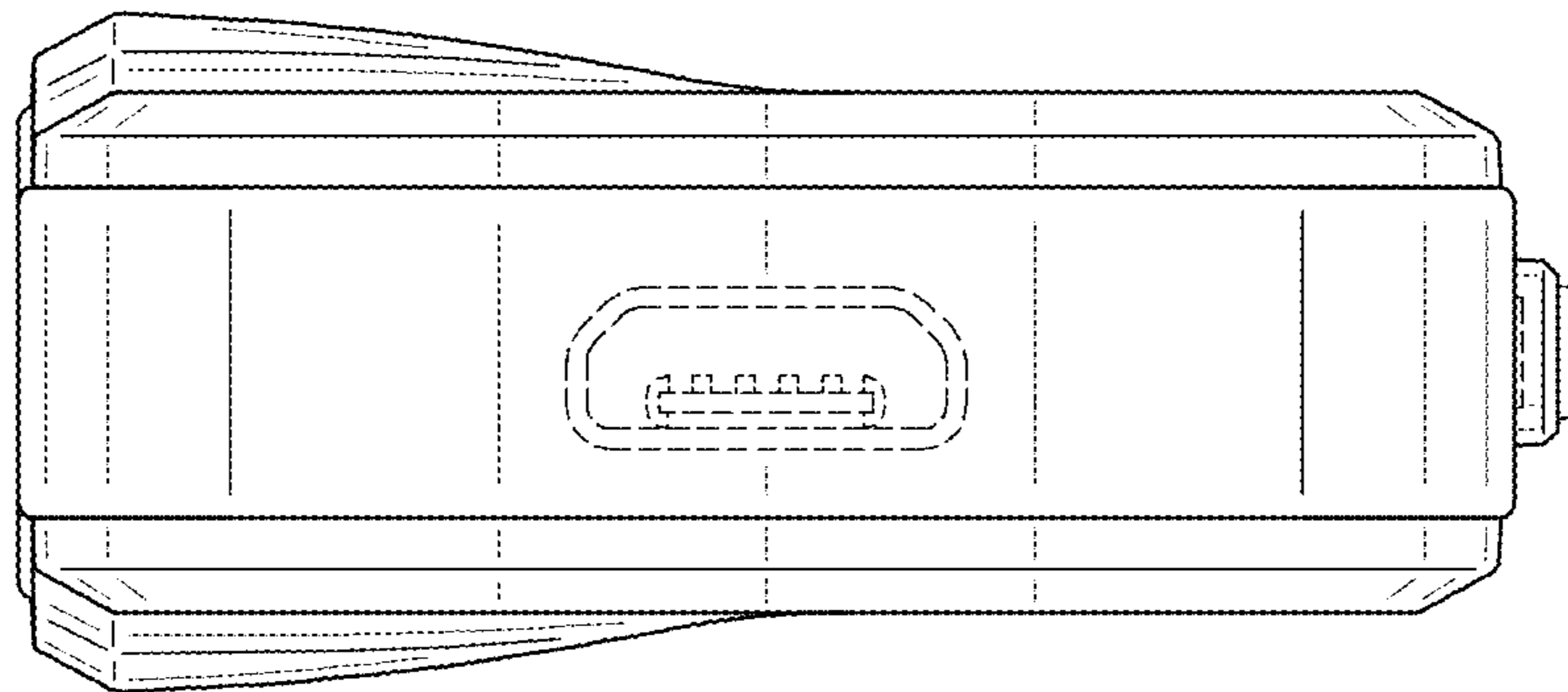


FIG. 8