



US00D823272S

(12) **United States Design Patent**
Croyle

(10) **Patent No.:** **US D823,272 S**
(45) **Date of Patent:** **** Jul. 17, 2018**

- (54) **ELECTRONIC DEVICE**
- (71) Applicant: **Razer (Asia-Pacific) Pte. Ltd.**,
Singapore (SG)
- (72) Inventor: **Jeffrey Scott Croyle**, San Francisco,
CA (US)
- (73) Assignee: **Razer (Asia-Pacific) Pte. Ltd.**,
Singapore (SG)
- (**) Term: **15 Years**
- (21) Appl. No.: **29/538,057**
- (22) Filed: **Aug. 31, 2015**
- (51) **LOC (11) Cl.** **14-03**
- (52) **U.S. Cl.**
USPC **D14/138 G; D14/341**
- (58) **Field of Classification Search**
USPC D14/138 AA, 138 AB, 138 AC, 138 AD,
D14/138 C, 138 G, 138 R, 248, 315-318,
D14/203.1, 203.3, 203.7, 496, 388, 389,
D14/341, 342, 345, 346, 218; D21/329;
D20/43
CPC G06F 1/1652; G06F 1/1626; H04M 1/027;
H04M 1/0202; H04M 1/0279; H04M
1/0235; H04M 1/0237; H04M 1/0239;
H04M 1/0266; H04M 1/0268; H04M
1/0295
See application file for complete search history.

- (56) **References Cited**
U.S. PATENT DOCUMENTS
8,190,219 B2 * 5/2012 Park H04M 1/0237
361/679.27
D745,004 S * 12/2015 Kim H04M 1/0268
D14/341
D749,534 S * 2/2016 Liu D14/138 G
D761,226 S * 7/2016 Poulin D14/138 G
D762,607 S * 8/2016 Yoon D14/138 G
D768,594 S * 10/2016 Szeto D14/138 G

D790,496 S * 6/2017 Park D14/138 AA
D800,084 S * 10/2017 Daniel D14/138 G
D802,550 S * 11/2017 Enquist D14/138 G
(Continued)

OTHER PUBLICATIONS

Huawei P9, Apr. 2016, [online], [site visited Nov. 15, 2017].
Retrieved from url:https://www.gsmarena.com/huawei_p9-pic-
tures-7972.php.*
(Continued)

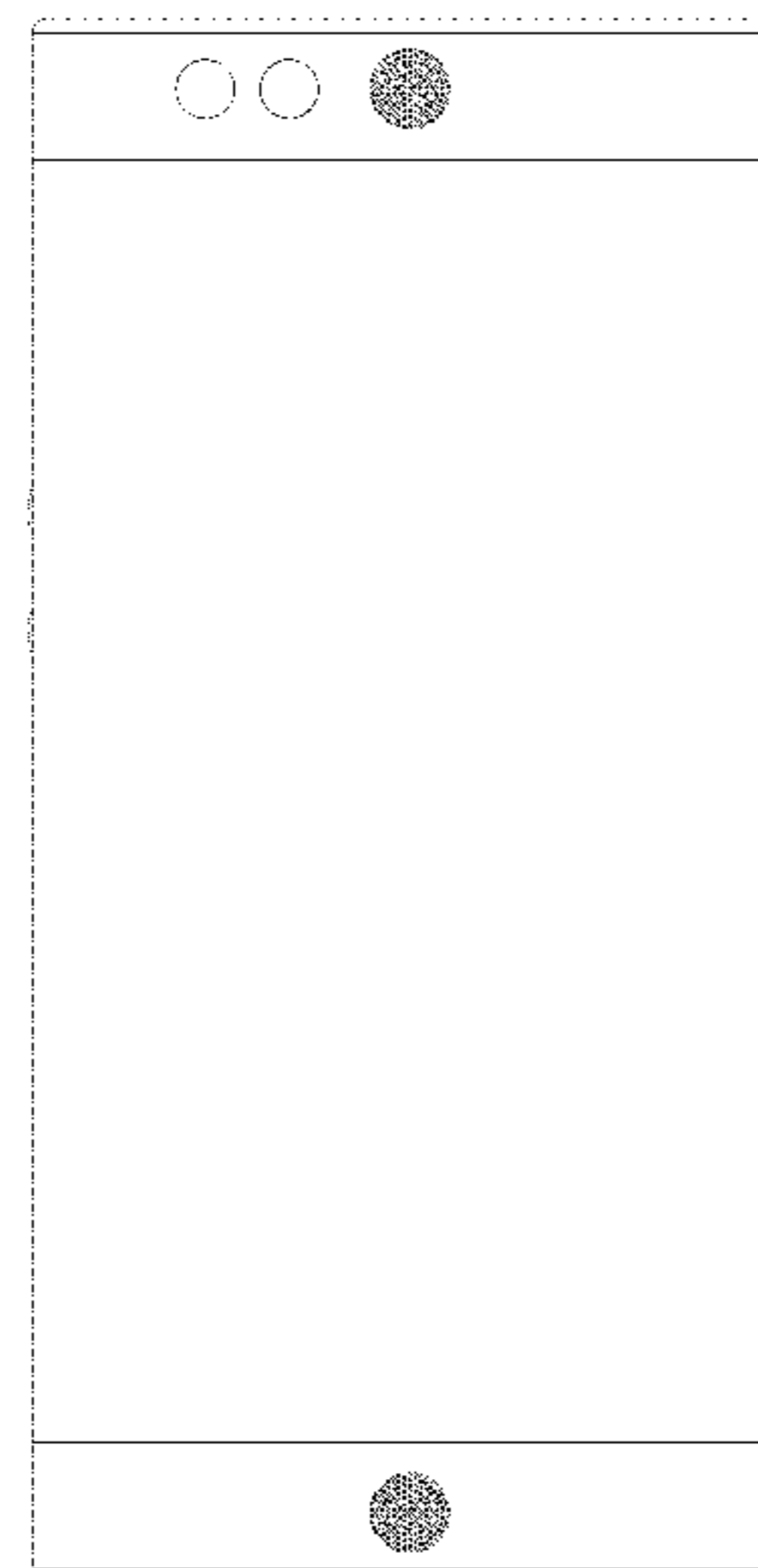
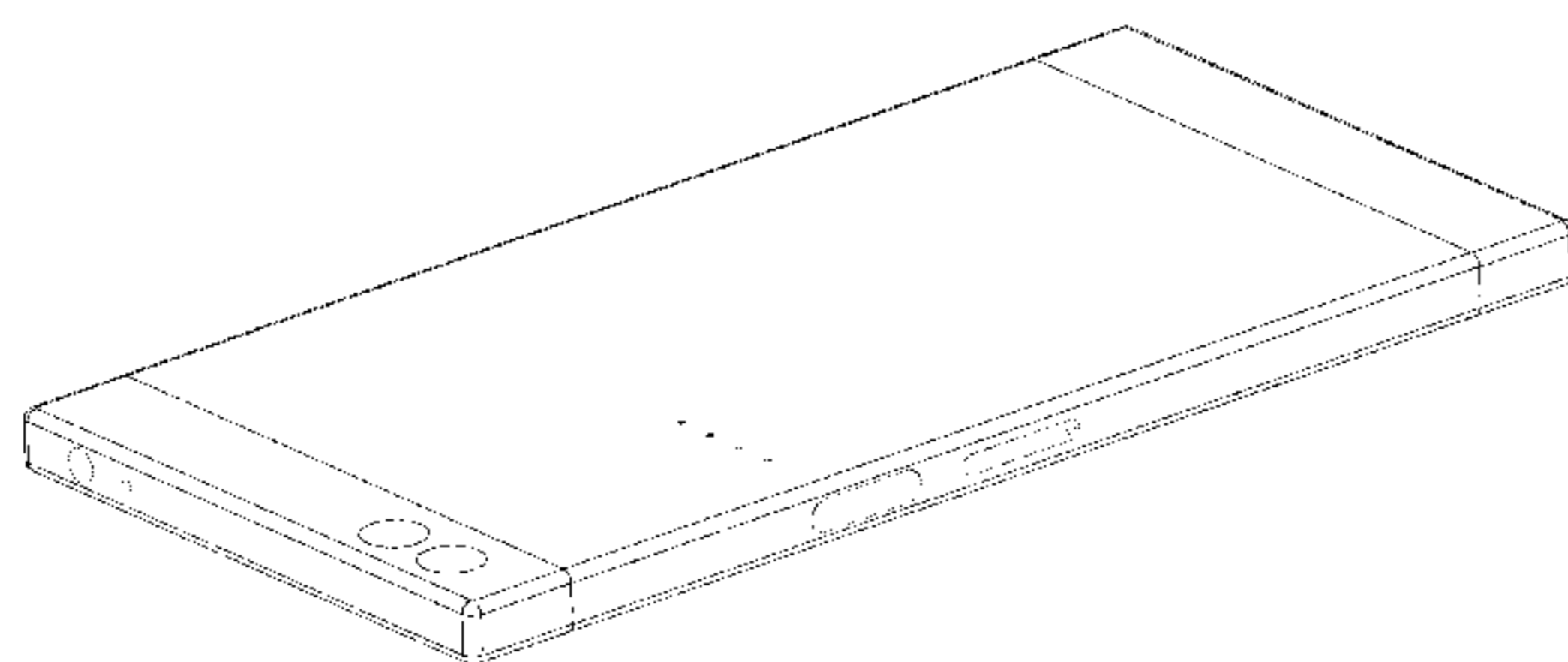
Primary Examiner — Jeffrey D Asch
Assistant Examiner — Tracey J Bell
(74) *Attorney, Agent, or Firm* — Mattingly & Malur, PC

(57) **CLAIM**
The ornamental design of an electronic device, as shown and
described.

DESCRIPTION

FIG. 1 is a front perspective view of an electronic device in
accordance with the present invention;
FIG. 2 is a rear perspective view of the electronic device of
FIG. 1;
FIG. 3 is a front view thereof;
FIG. 4 is a rear view thereof;
FIG. 5 is a left side view thereof;
FIG. 6 is a right side view thereof;
FIG. 7 is a top view thereof; and,
FIG. 8 is bottom view thereof.
As indicated above, the article of manufacture is an elec-
tronic device. Examples of an electronic device are a com-
puter, a portable or hand-held electronic device, media
player (e.g., music, video and/or game player), media stor-
age device, a personal digital assistant, a communication
device (e.g., cellular phone).
The broken lines show portions of the electronic device
which form no part of the claimed design.

1 Claim, 8 Drawing Sheets



(56)

References Cited

U.S. PATENT DOCUMENTS

2011/0123051 A1* 5/2011 Eaton H04M 1/03
381/162
2013/0300697 A1* 11/2013 Kim G06F 1/1626
345/173
2014/0004906 A1* 1/2014 Chi H04B 1/38
455/566
2015/0296065 A1* 10/2015 Narita H04M 1/64
455/556.2

OTHER PUBLICATIONS

Kickstarter Page—Robin. The smarter smartphone, campaign launch date Sep. 1, 2015, [online], [site visited Nov. 29, 2017]. Retrieved from url:<https://www.kickstarter.com/projects/nextbit/robin-the-smarter-smartphone/>.*

Razer Phone, Nov. 2017, [online], [site visited Nov. 29, 2017]. Retrieved from url:https://www.gsmarena.com/_razer_phone-pictures-8923.php.*

Sharp Aquos 2 Rendered by Concept Creator, by Kelvin on Concept Phones, Aug. 31, 2017, [online], [site visited Nov. 29, 2017]. Retrieved from url:<https://www.concept-phones.com/cool-concepts/sharp-aquos-2-rendered-concept-creator-video/>.*

Sony Xperia Play X Gaming Phone Takes Me Back to 2008, by Kelvin on Concept Phones, Apr. 4, 2017, [online], [site visited Nov. 29, 2017]. Retrieved from url:<https://www.concept-phones.com/gaming-phones/sony-xperia-play-gaming-phone-takes-2008/>.*

The Razer Phone is now available for purchase in the US, Nov. 17, 2017, [online], [site visited Nov. 18, 2017]. Retrieved from url:https://www.phonearena.com/news/The-Razer-Phone-is-now-available-for-purchase-in-the-US_id99924.*

Sony Xperia Z5, Nov. 2015, [online], [site visited Nov. 15, 2017]. Retrieved from url:https://www.gsmarena.com/sony_xperia_z5_premium-pictures-7536.php.*

* cited by examiner

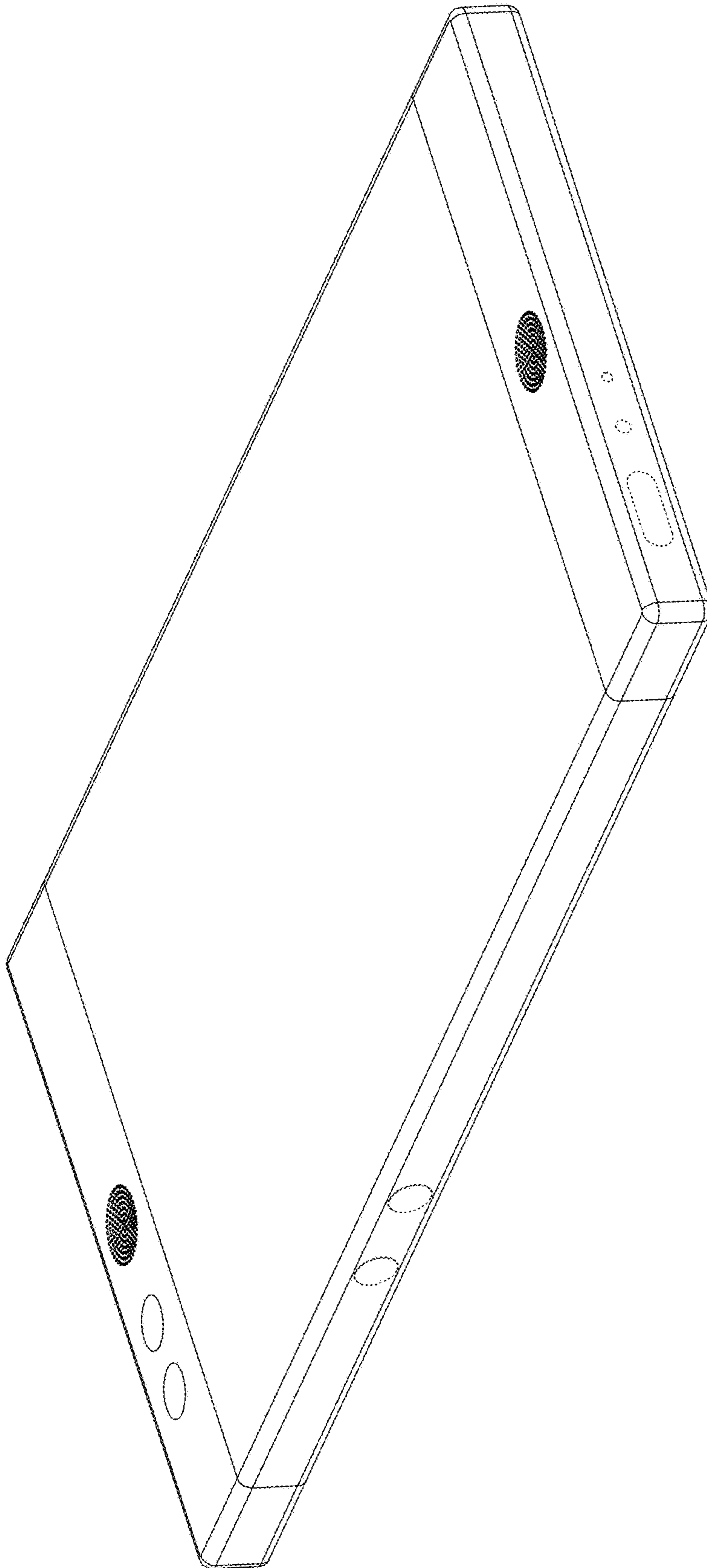


FIG. 1

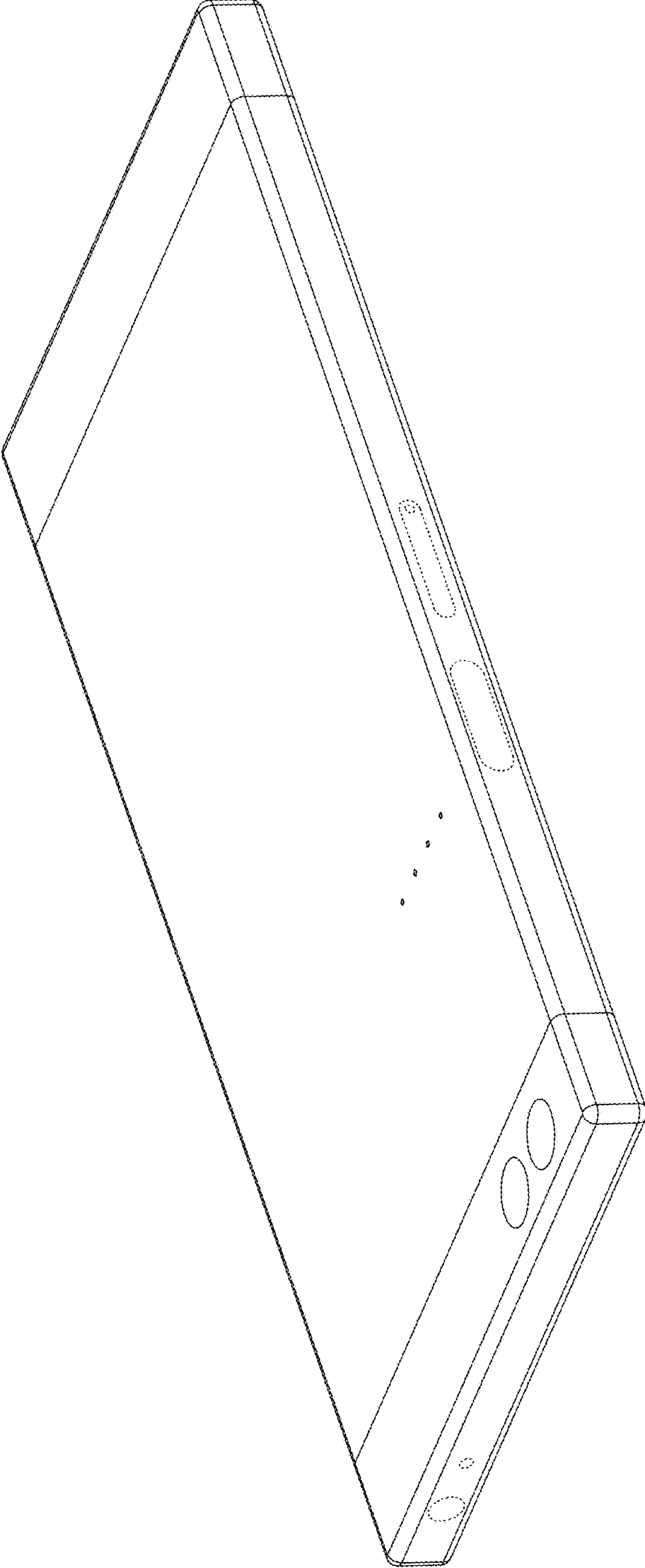


FIG. 2

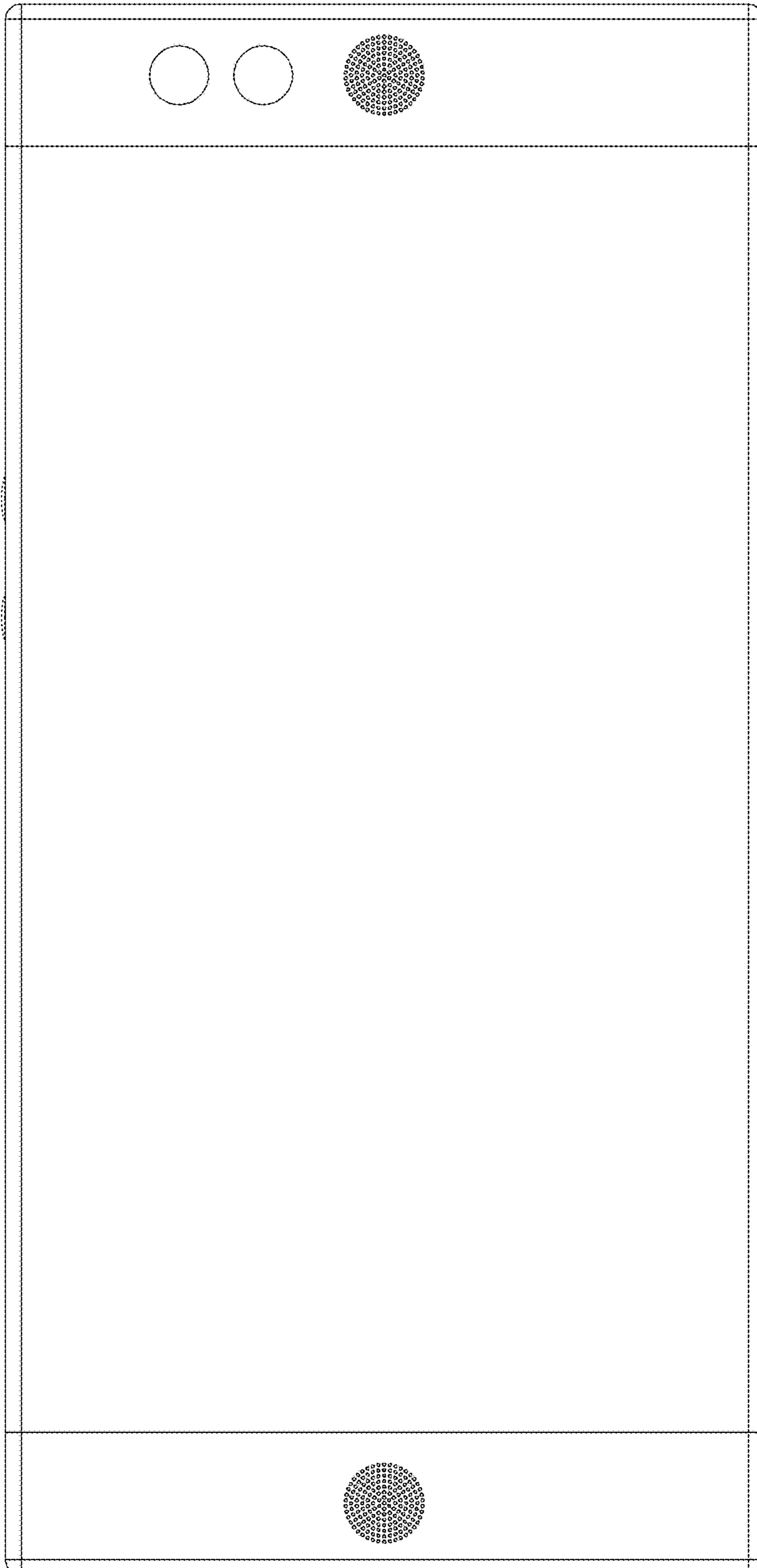


FIG. 3

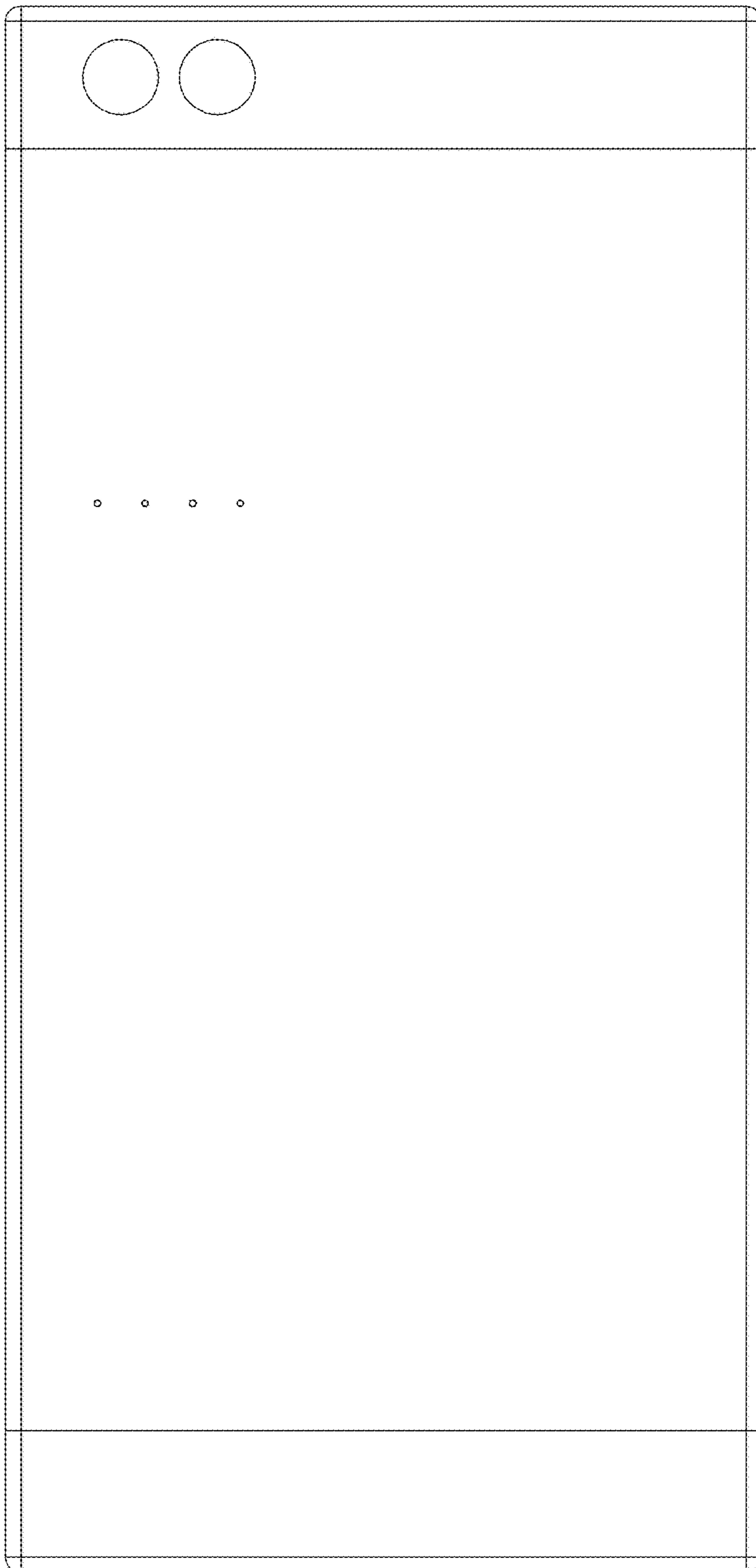


FIG. 4



FIG. 5

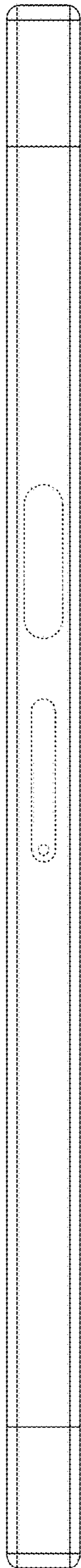


FIG. 6

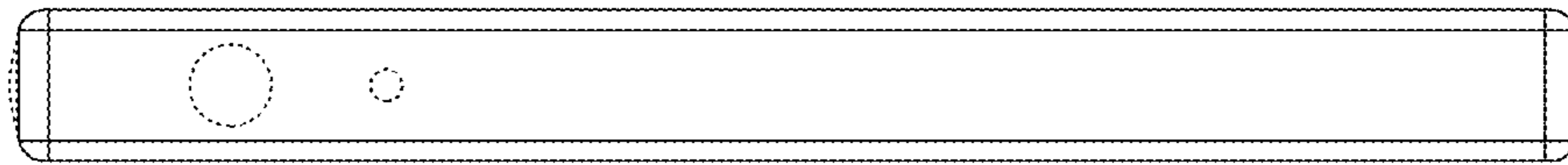


FIG. 7

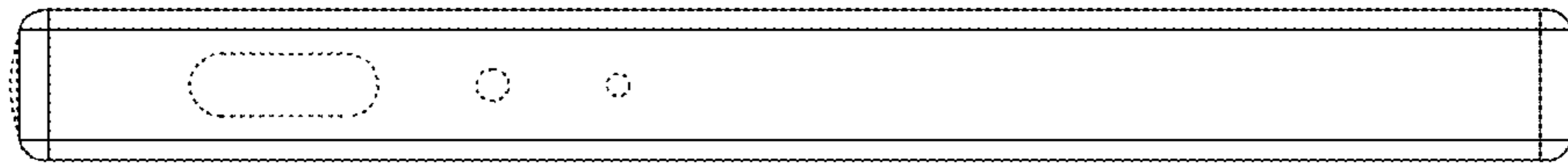


FIG. 8