



US00D823269S

(12) **United States Design Patent**  
**Iino et al.**

(10) **Patent No.:** **US D823,269 S**  
(45) **Date of Patent:** **\*\* \*Jul. 17, 2018**

(54) **LIGHT-EMITTING DIODE**

(71) Applicants: **CITIZEN ELECTRONICS CO., LTD.**, Yamanashi-ken (JP); **CITIZEN WATCH CO., LTD.**, Tokyo (JP)

(72) Inventors: **Takashi Iino**, Yamanashi-ken (JP); **Nodoka Oyamada**, Yamanashi-ken (JP)

(73) Assignees: **CITIZEN ELECTRONICS CO., LTD.**, Yamanashi-Ken (JP); **CITIZEN WATCH CO., LTD.**, Tokyo (JP)

(\*) Notice: This patent is subject to a terminal disclaimer.

(\*\*) Term: **15 Years**

(21) Appl. No.: **29/590,388**

(22) Filed: **Jan. 10, 2017**

**Related U.S. Application Data**

(62) Division of application No. 29/513,011, filed on Dec. 24, 2014, now Pat. No. Des. 780,134.

(30) **Foreign Application Priority Data**

Jun. 30, 2014 (JP) ..... 2014-014300  
Jun. 30, 2014 (JP) ..... 2014-014301  
(Continued)

(51) **LOC (11) Cl.** ..... **13-03**

(52) **U.S. Cl.**  
USPC ..... **D13/180**

(58) **Field of Classification Search**  
USPC ..... D13/180; D26/1  
(Continued)

(56) **References Cited**

**U.S. PATENT DOCUMENTS**

D601,977 S 10/2009 Tsuchiya  
D602,884 S 10/2009 Wada  
(Continued)

*Primary Examiner* — Selina Sikder

(74) *Attorney, Agent, or Firm* — Wenderoth, Lind & Ponack, L.L.P.

(57) **CLAIM**

The ornamental design for a light-emitting diode, as shown and described.

**DESCRIPTION**

FIG. 1 is a top perspective view of a first embodiment of a light-emitting diode showing an upper surface with front and left side surfaces;

FIG. 2 is a bottom perspective view thereof showing a bottom surface with rear and right side surfaces;

FIG. 3 is a front view thereof, a rear view being identical to FIG. 3;

FIG. 4 is a top plan view thereof;

FIG. 5 is a bottom plan view thereof;

FIG. 6 is a left side view thereof, a right side view being identical to FIG. 6;

FIG. 7 is a top perspective view of a second embodiment of a light-emitting diode showing an upper surface with front and left side surfaces;

FIG. 8 is a bottom perspective view thereof showing a bottom surface with rear and right side surfaces;

FIG. 9 is a front view thereof, a rear view being identical to FIG. 9;

FIG. 10 is a top plan view thereof;

FIG. 11 is a bottom plan view thereof;

FIG. 12 is a left side view thereof, a right side view being identical to FIG. 12;

FIG. 13 is a top perspective view of a third embodiment of a light-emitting diode showing an upper surface with front and left side surfaces;

FIG. 14 is a bottom perspective view thereof showing a bottom surface with rear and right side surfaces;

FIG. 15 is a front view thereof, a rear view being identical to FIG. 15;

FIG. 16 is a top plan view thereof;

FIG. 17 is a bottom plan view thereof; and,

(Continued)

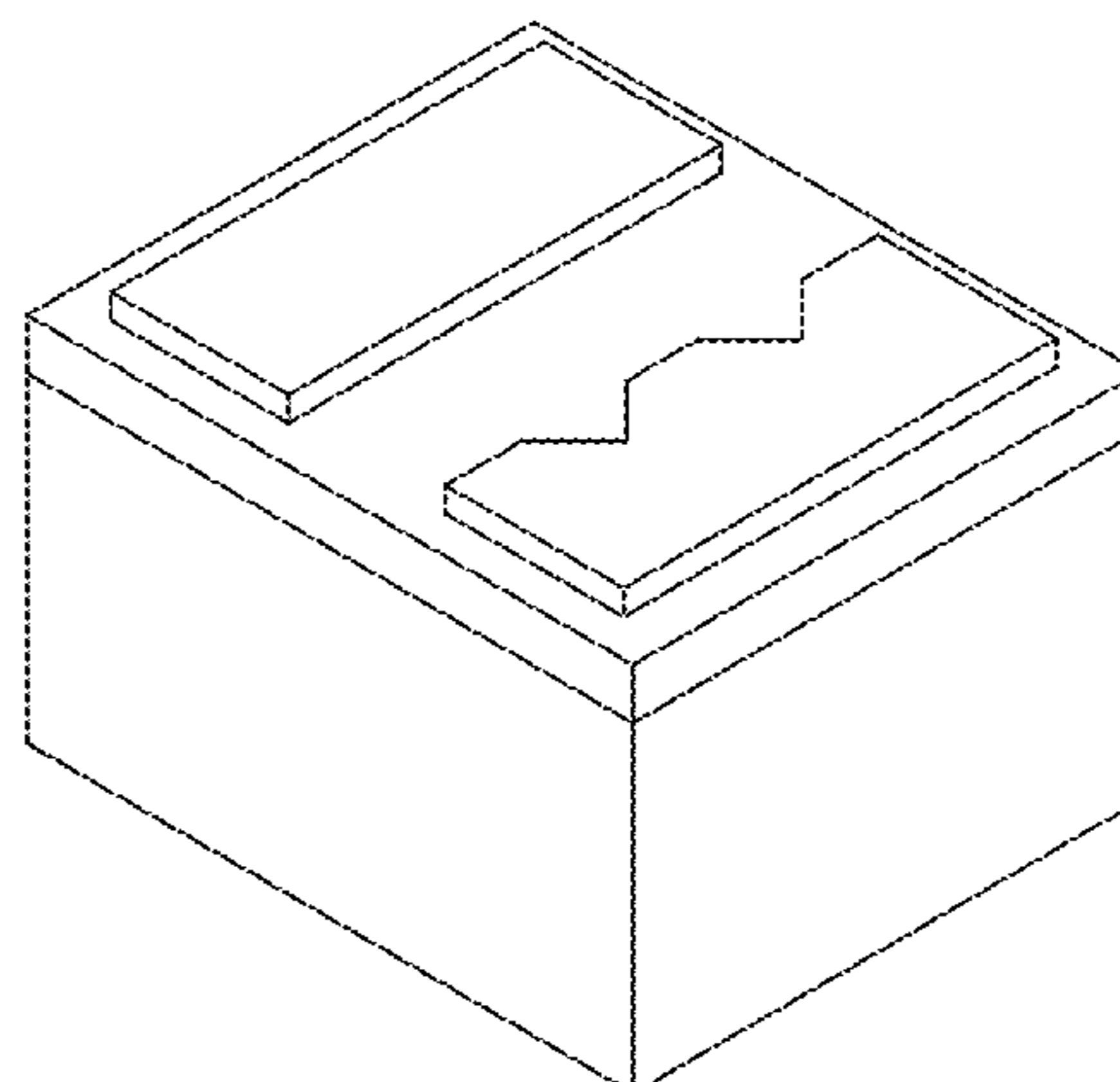
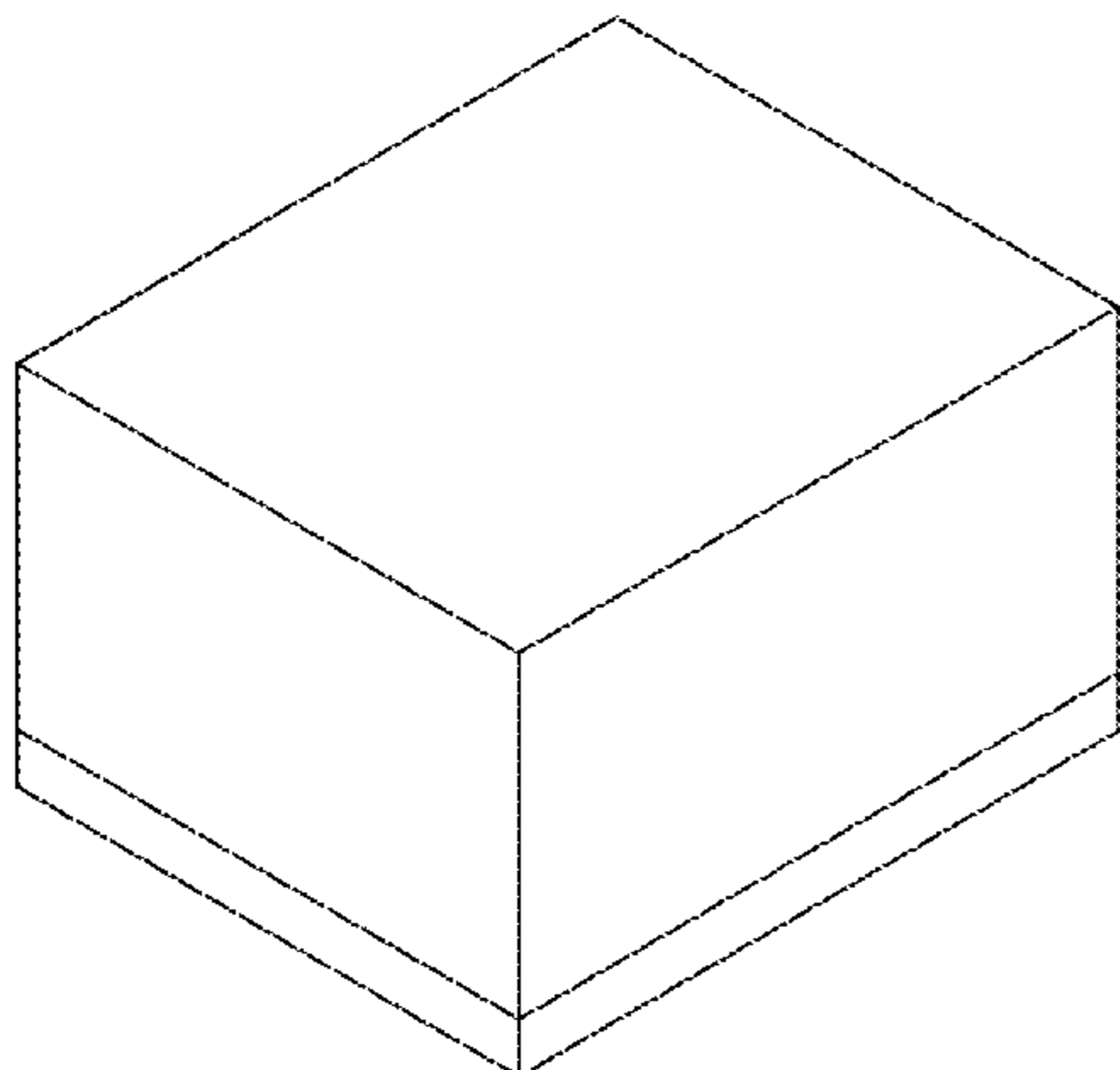


FIG. 18 is a left side view thereof, a right side view being identical to FIG. 18.

H01L 33/486; F21K 9/00; F21K 9/30;  
F21K 9/54

See application file for complete search history.

**1 Claim, 9 Drawing Sheets**

(56)

**References Cited**

U.S. PATENT DOCUMENTS

(30) **Foreign Application Priority Data**

Jun. 30, 2014 (JP) ..... 2014-014302  
Oct. 10, 2014 (JP) ..... 2014-022862  
Oct. 10, 2014 (JP) ..... 2014-022863  
Oct. 10, 2014 (JP) ..... 2014-022864

(58) **Field of Classification Search**

CPC ... H01L 25/167; H01L 25/0753; H01L 27/15;  
H01L 27/156; H01L 31/02; H01L 33/00;  
H01L 33/04; H01L 33/08; H01L 33/10;  
H01L 33/20; H01L 33/38; H01L 33/42;  
H01L 33/48; H01L 33/62; H01L 33/483;

D653,629 S 2/2012 Miyashita  
D676,002 S \* 2/2013 Watanabe ..... D13/180  
D694,201 S \* 11/2013 Iino ..... D13/180  
D709,840 S 7/2014 Tsai  
D710,811 S 8/2014 Chen  
D719,535 S 12/2014 Iino  
D724,039 S 3/2015 Iino  
D724,548 S 3/2015 Iino  
9,153,545 B2 10/2015 Yamamoto  
D744,965 S 12/2015 Chen  
9,202,989 B2 12/2015 Tanuma  
9,236,370 B2 1/2016 Chu  
D780,134 S \* 2/2017 Iino ..... D13/180  
2010/0163920 A1 7/2010 Itai

\* cited by examiner

Fig. 1

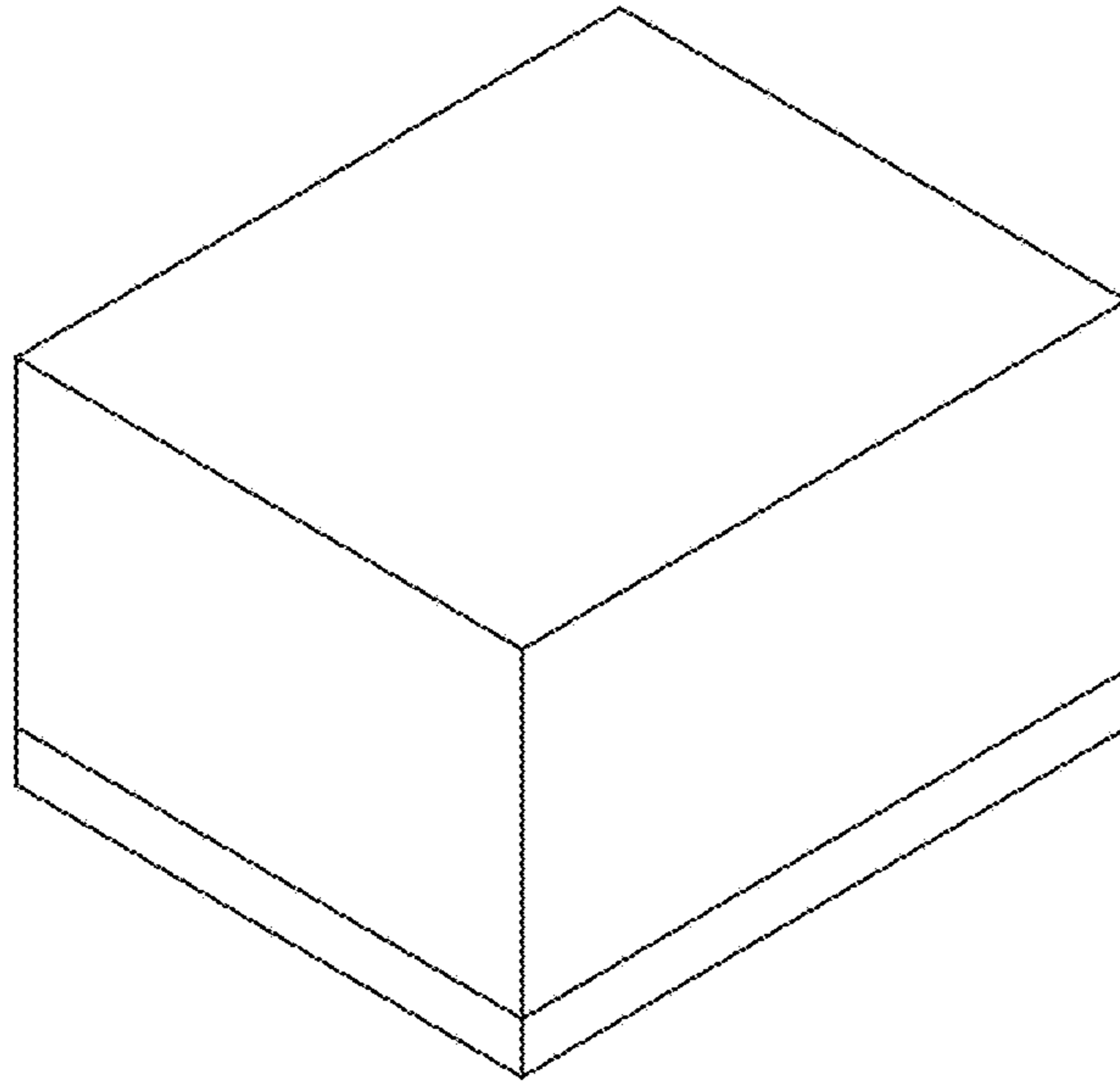


Fig. 2

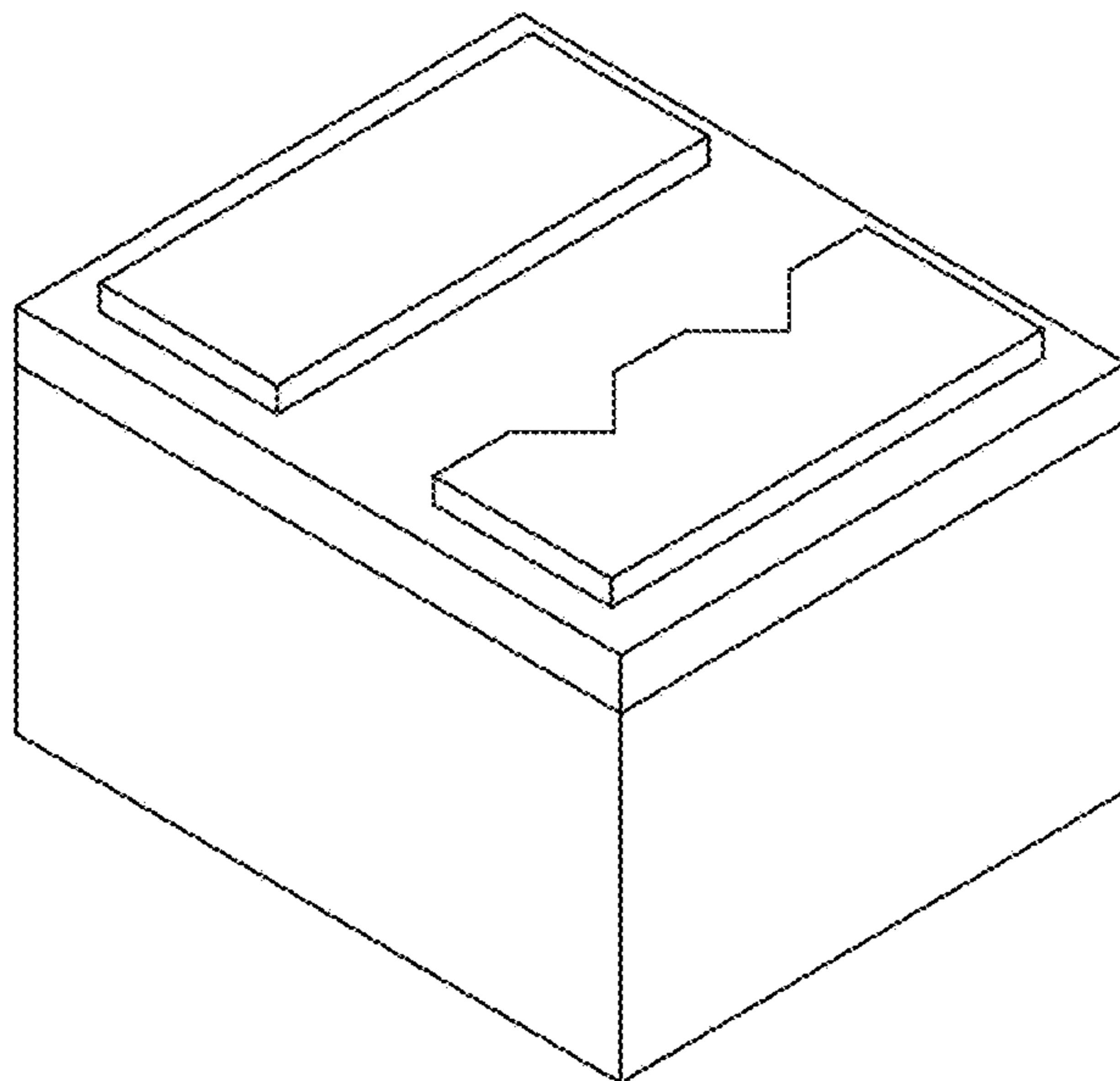


Fig. 3

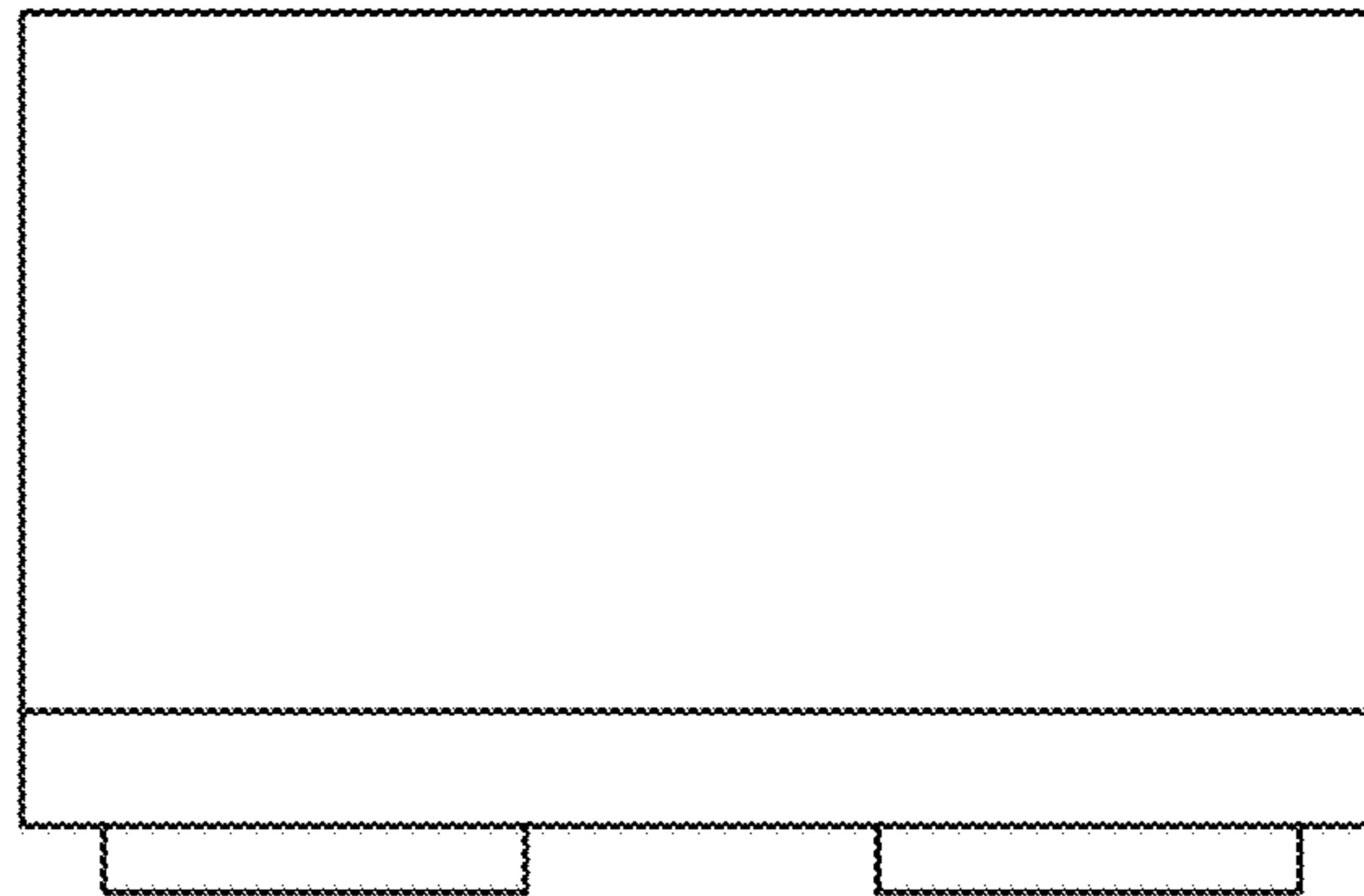


Fig. 4

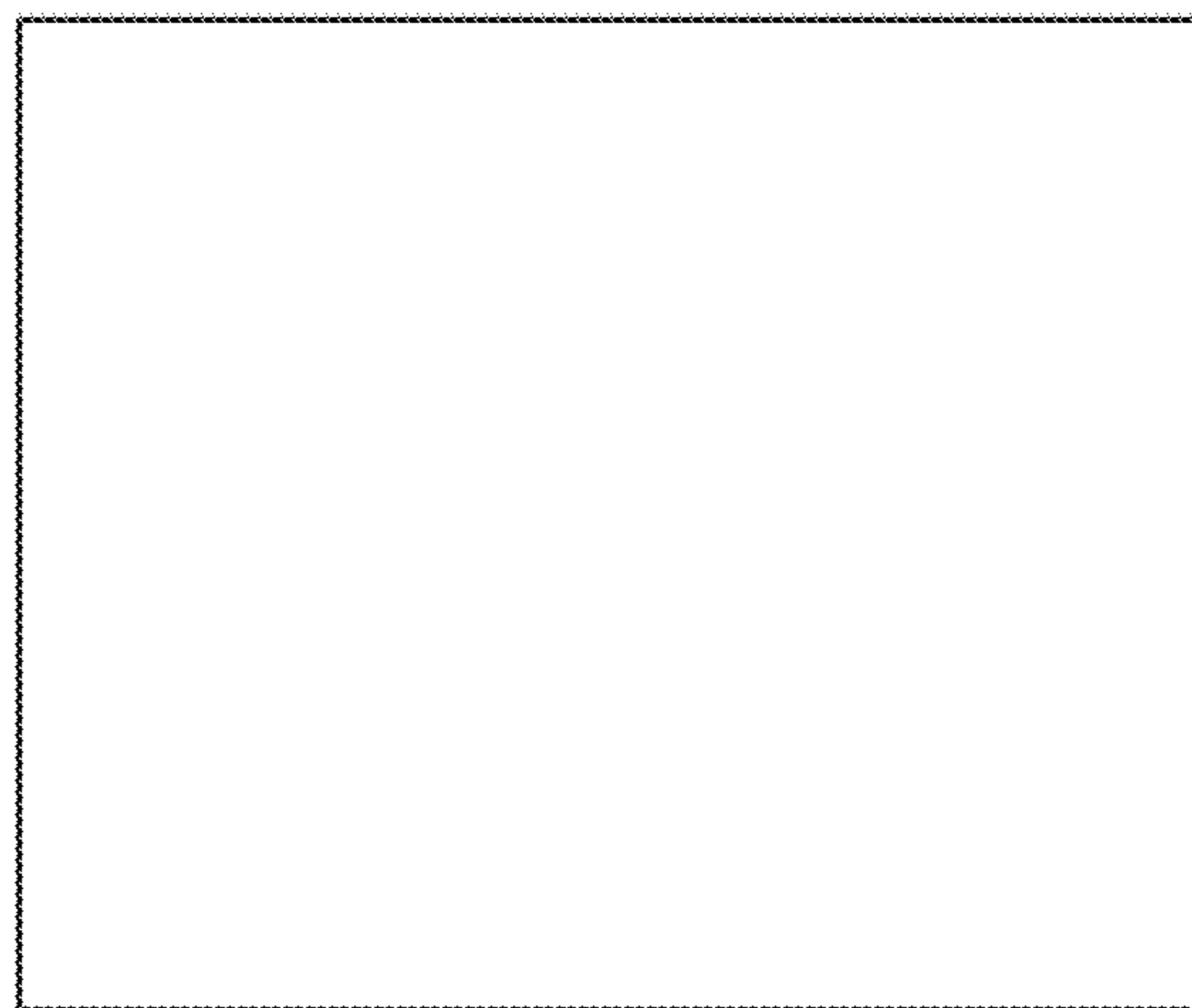


Fig. 5

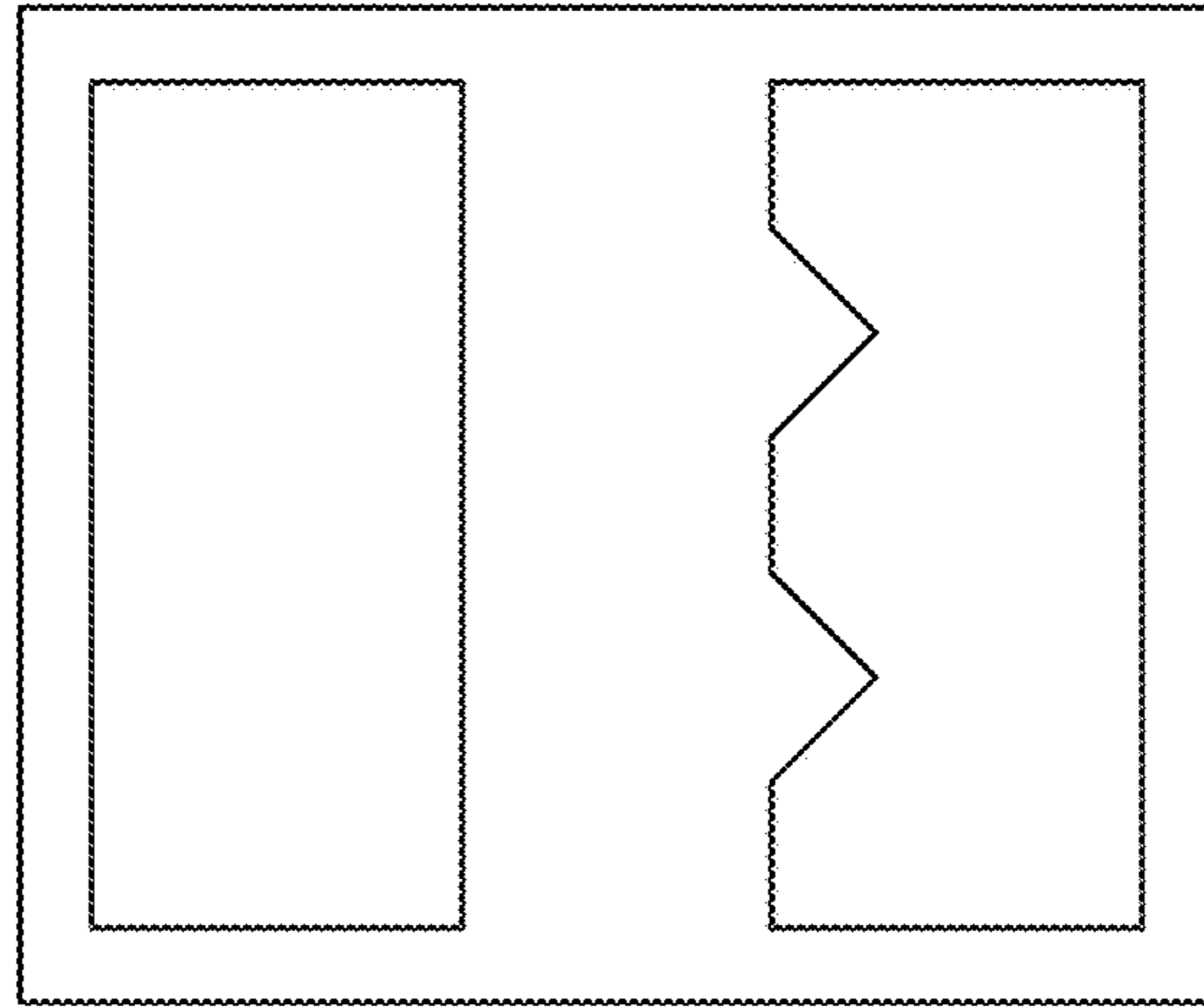


Fig. 6

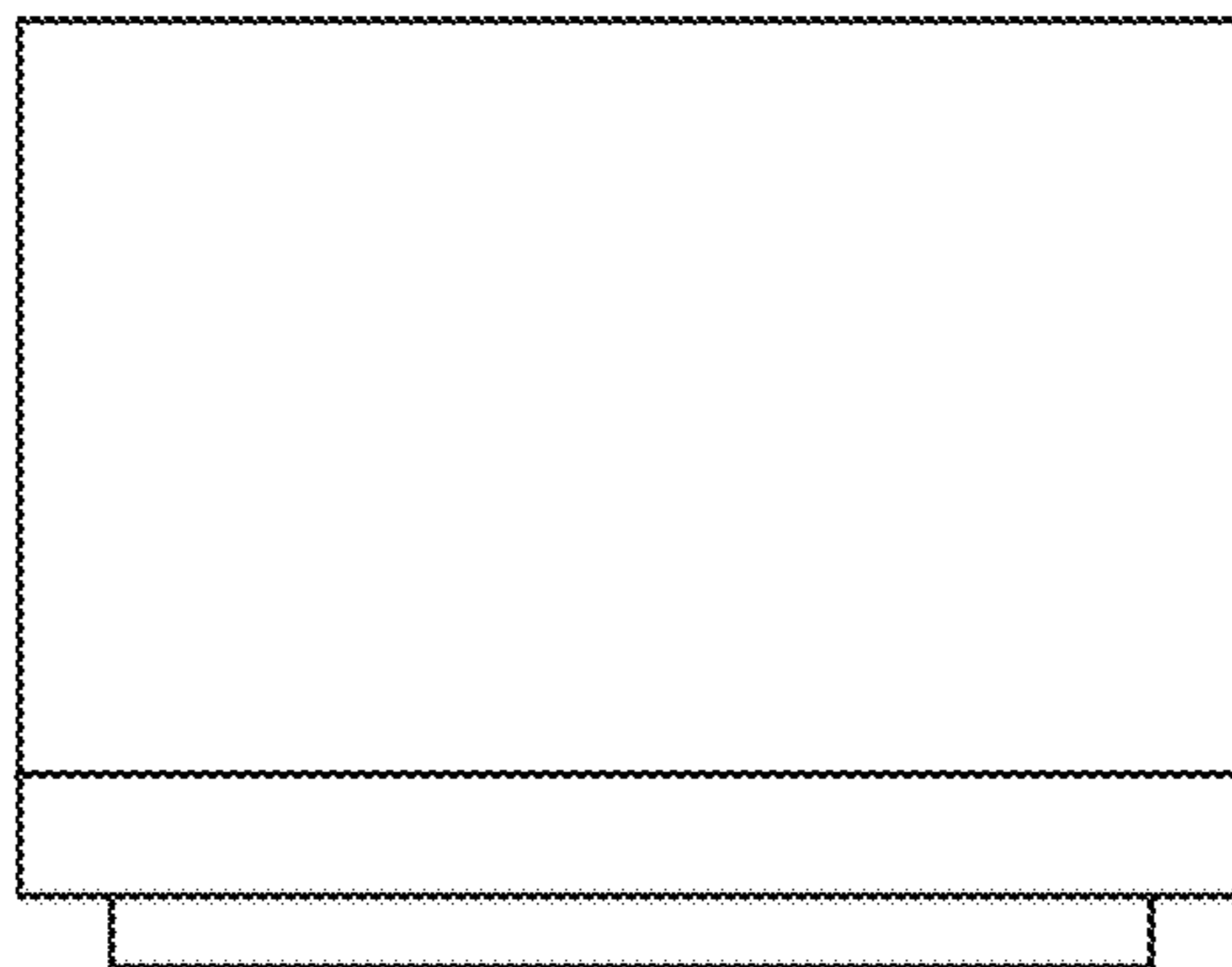


Fig. 7

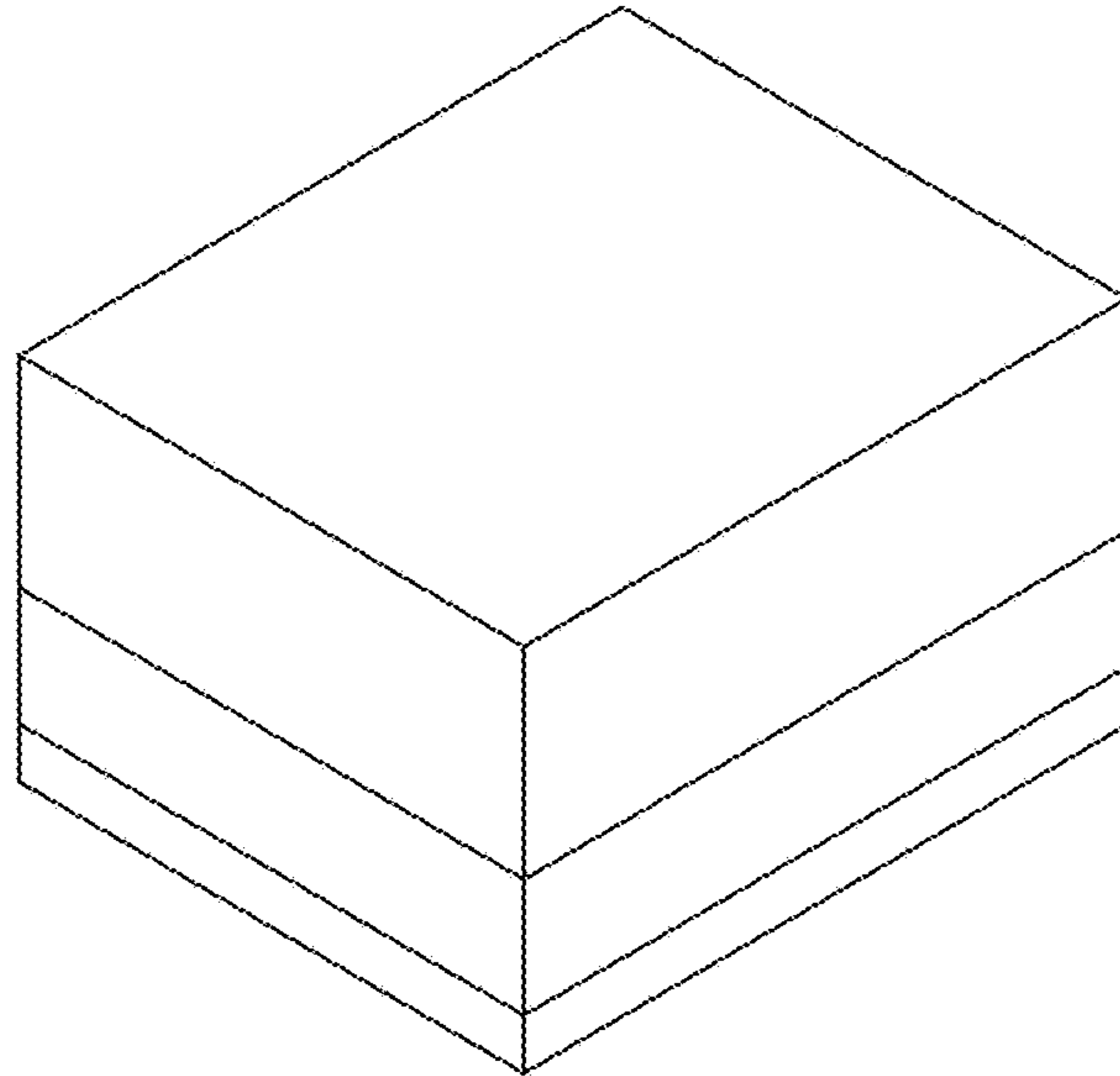


Fig. 8

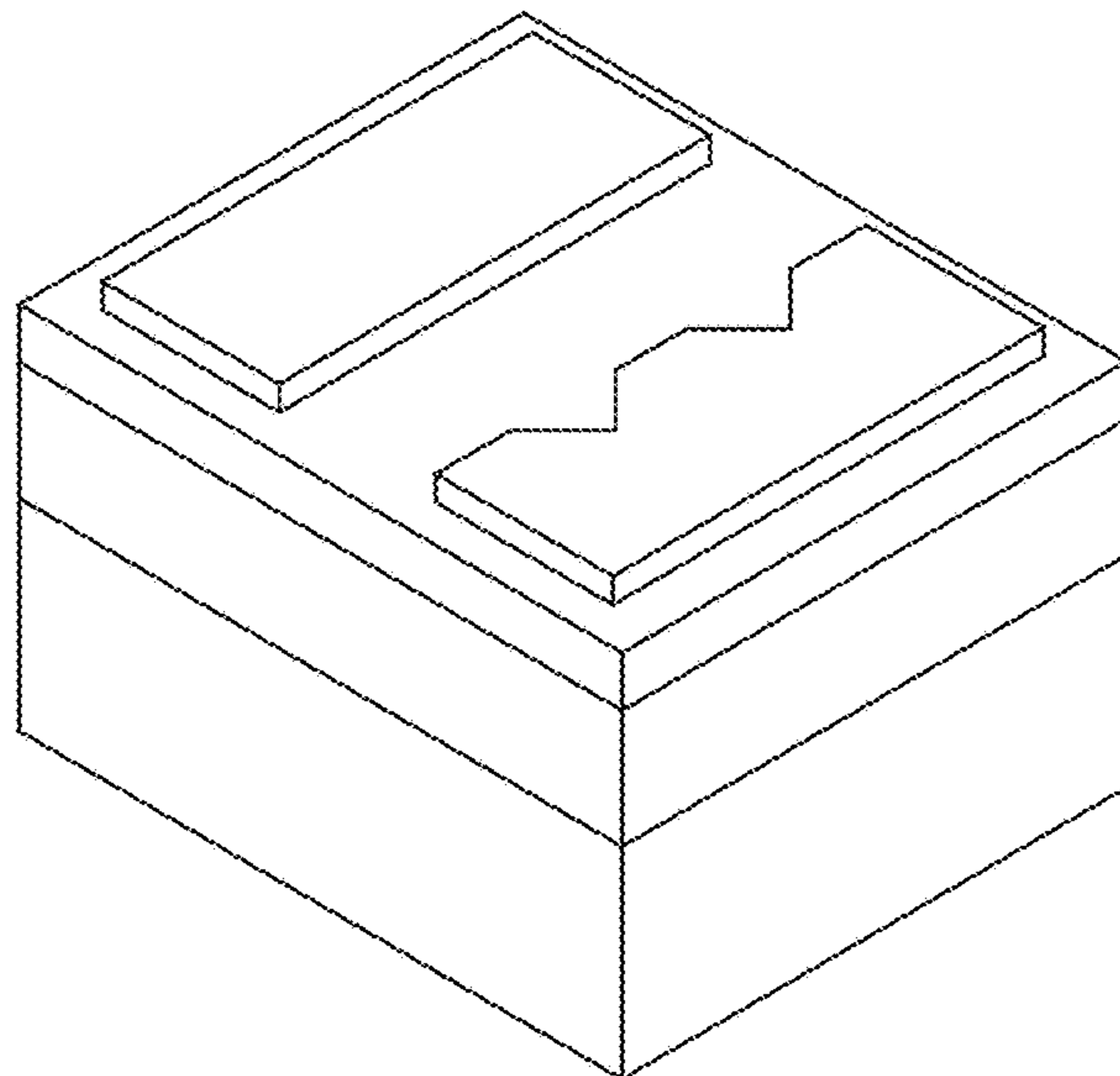


Fig. 9

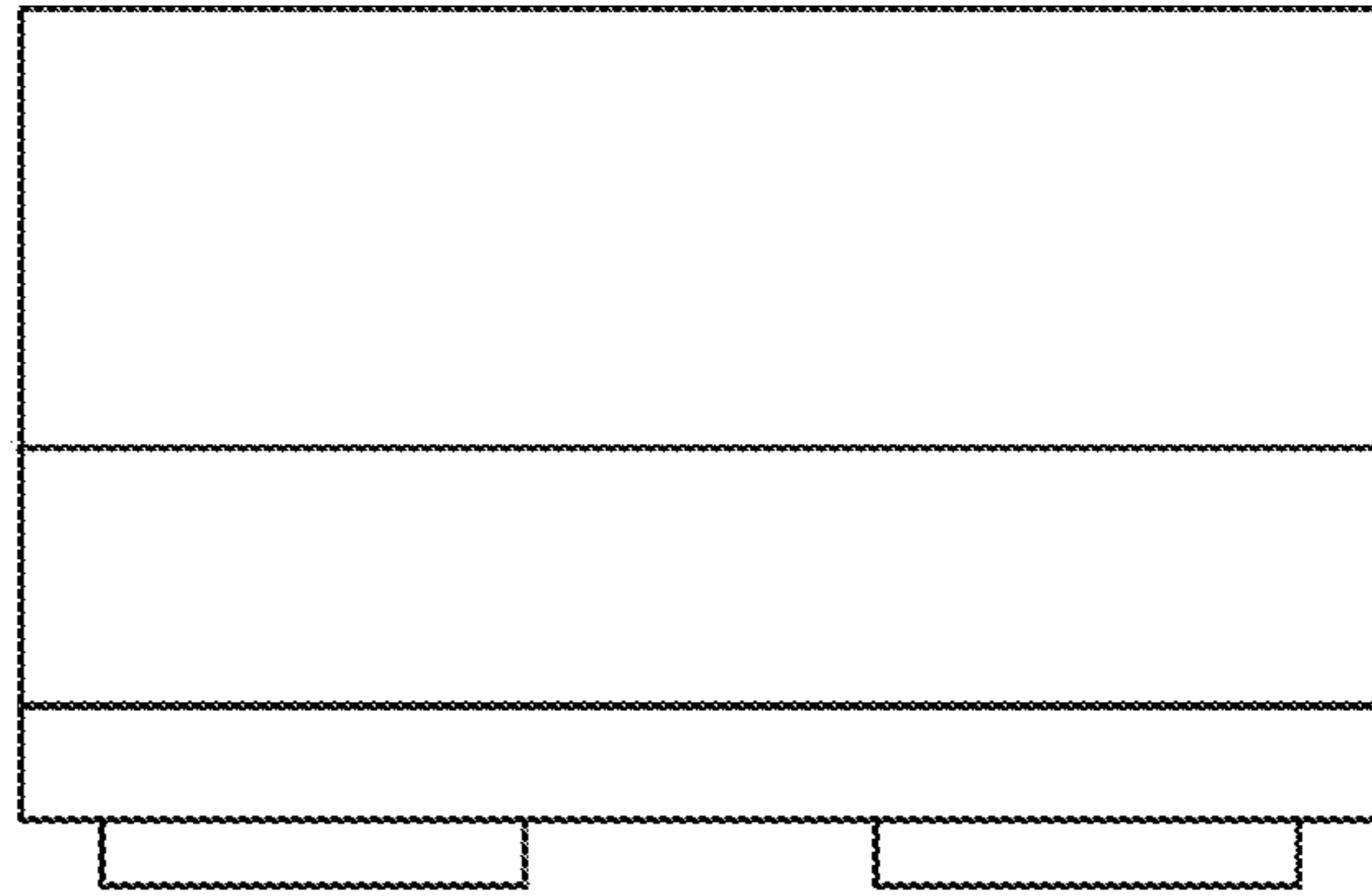


Fig. 10

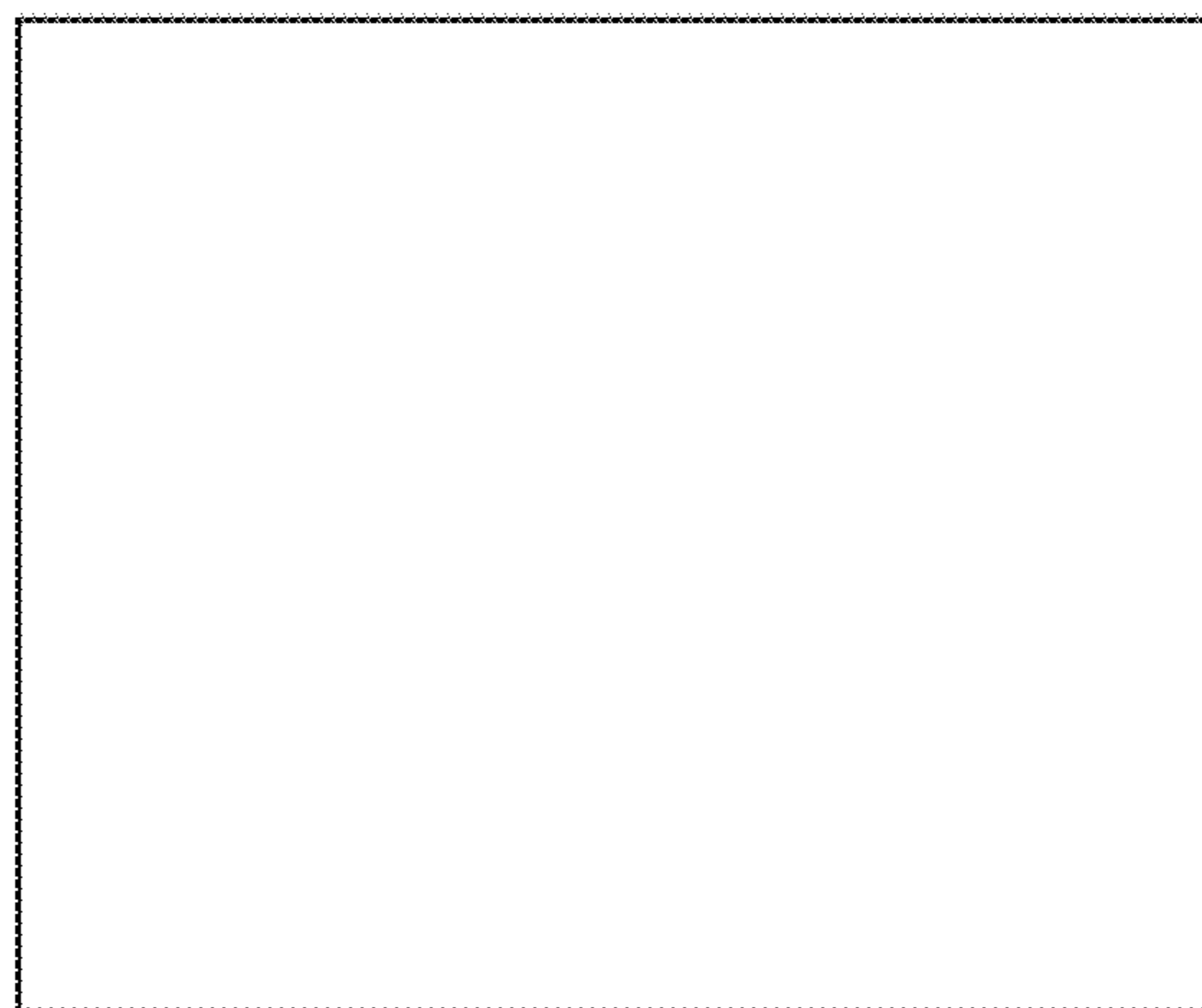




Fig. 11

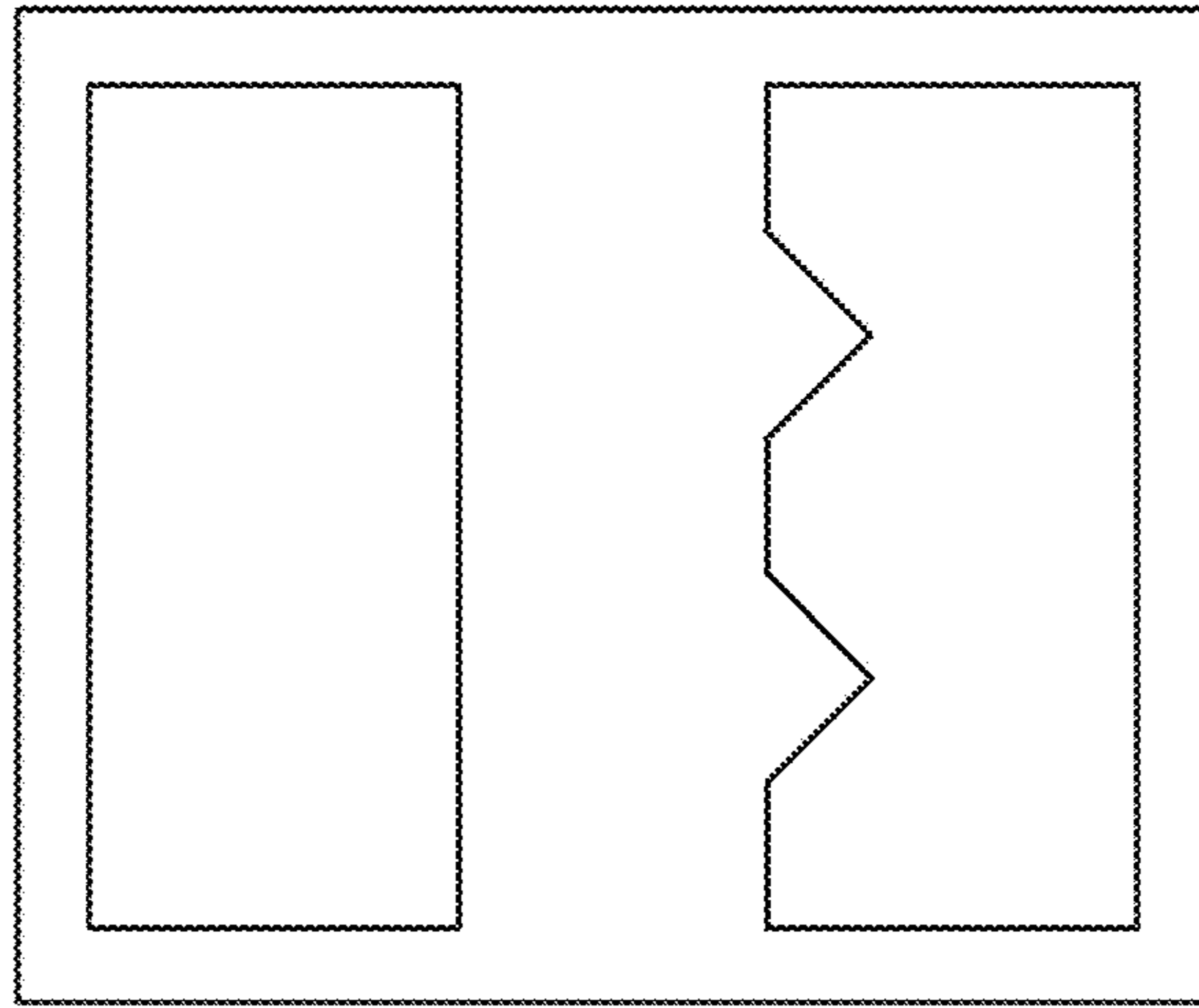


Fig. 12

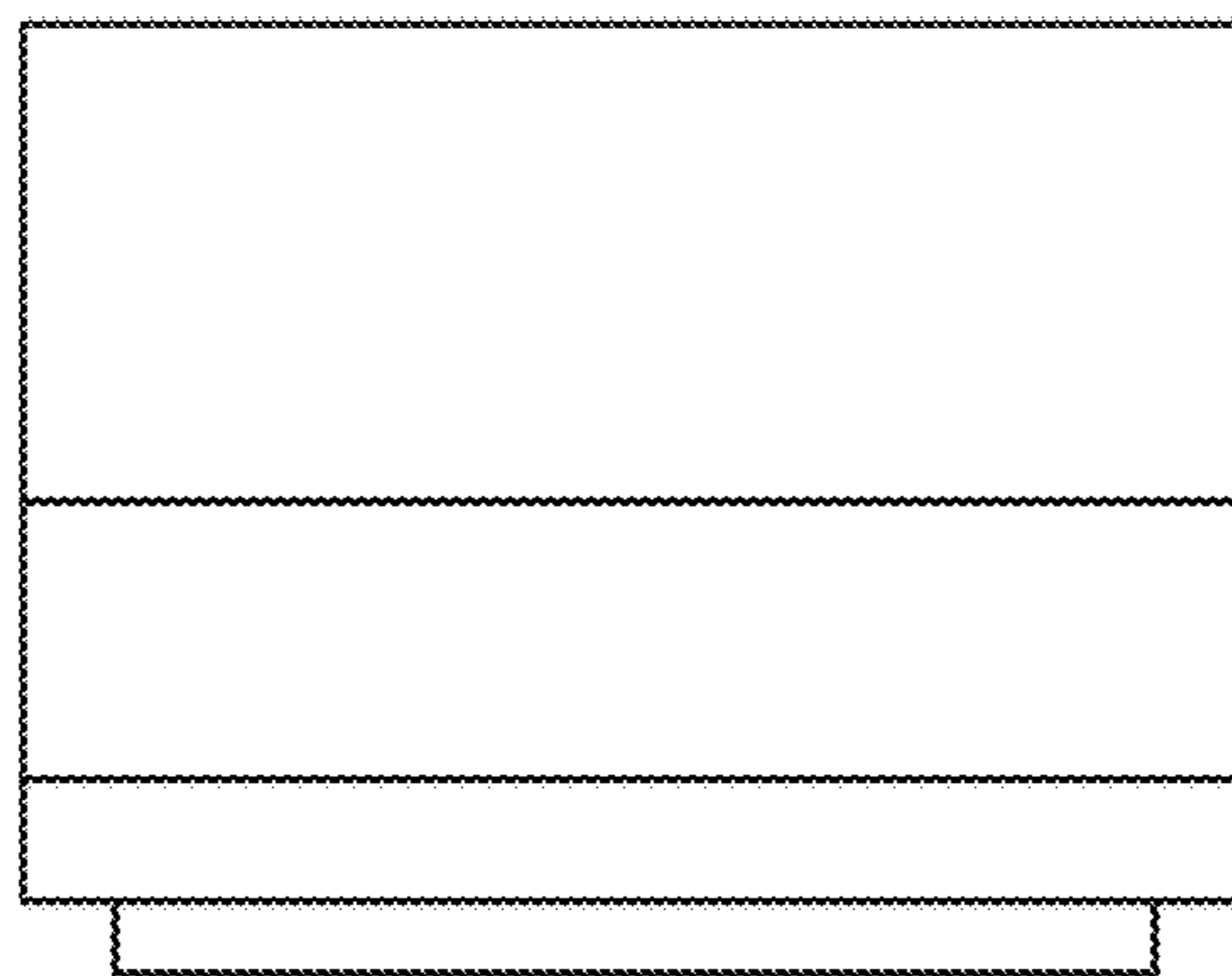




Fig. 13

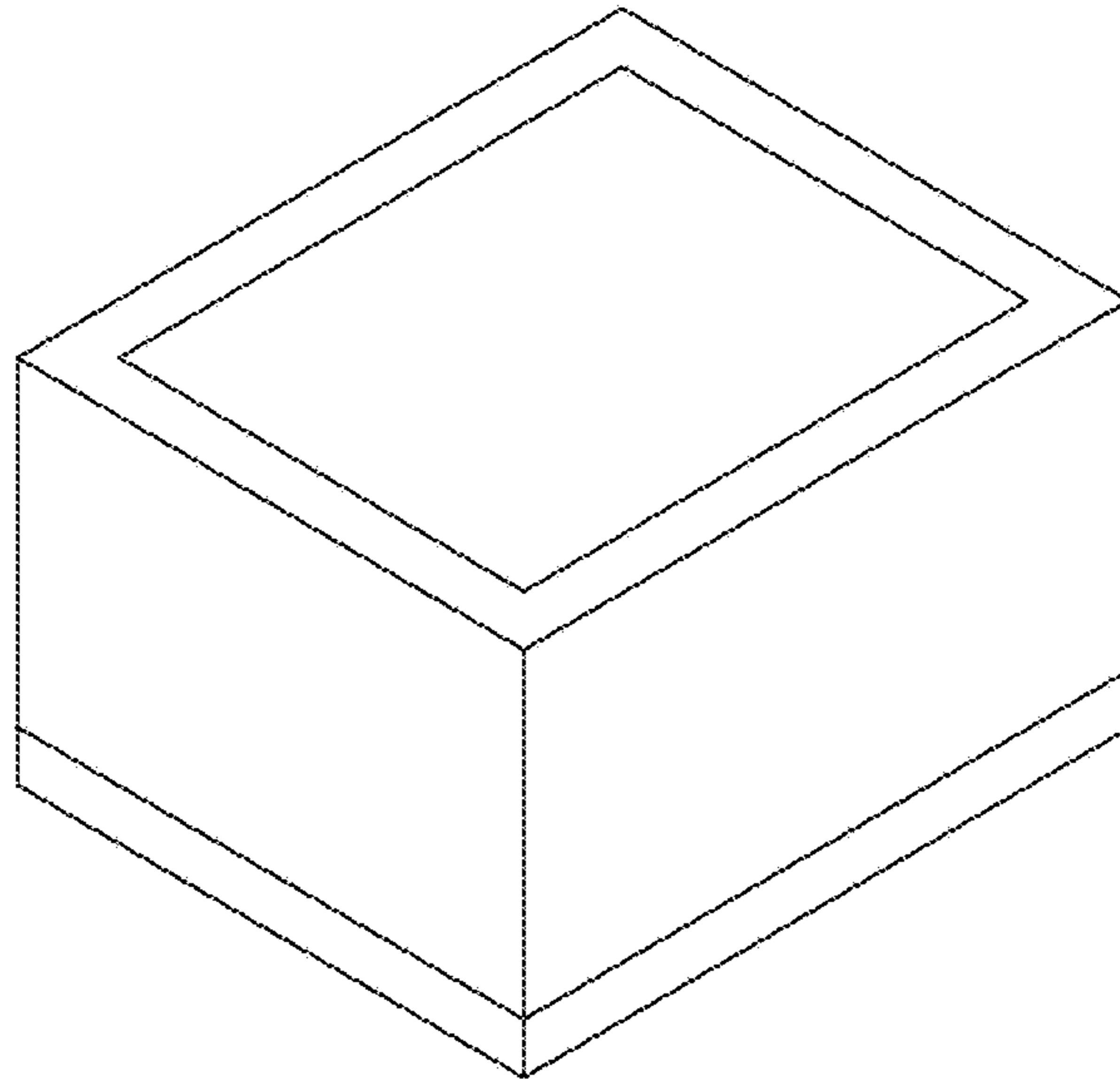


Fig. 14

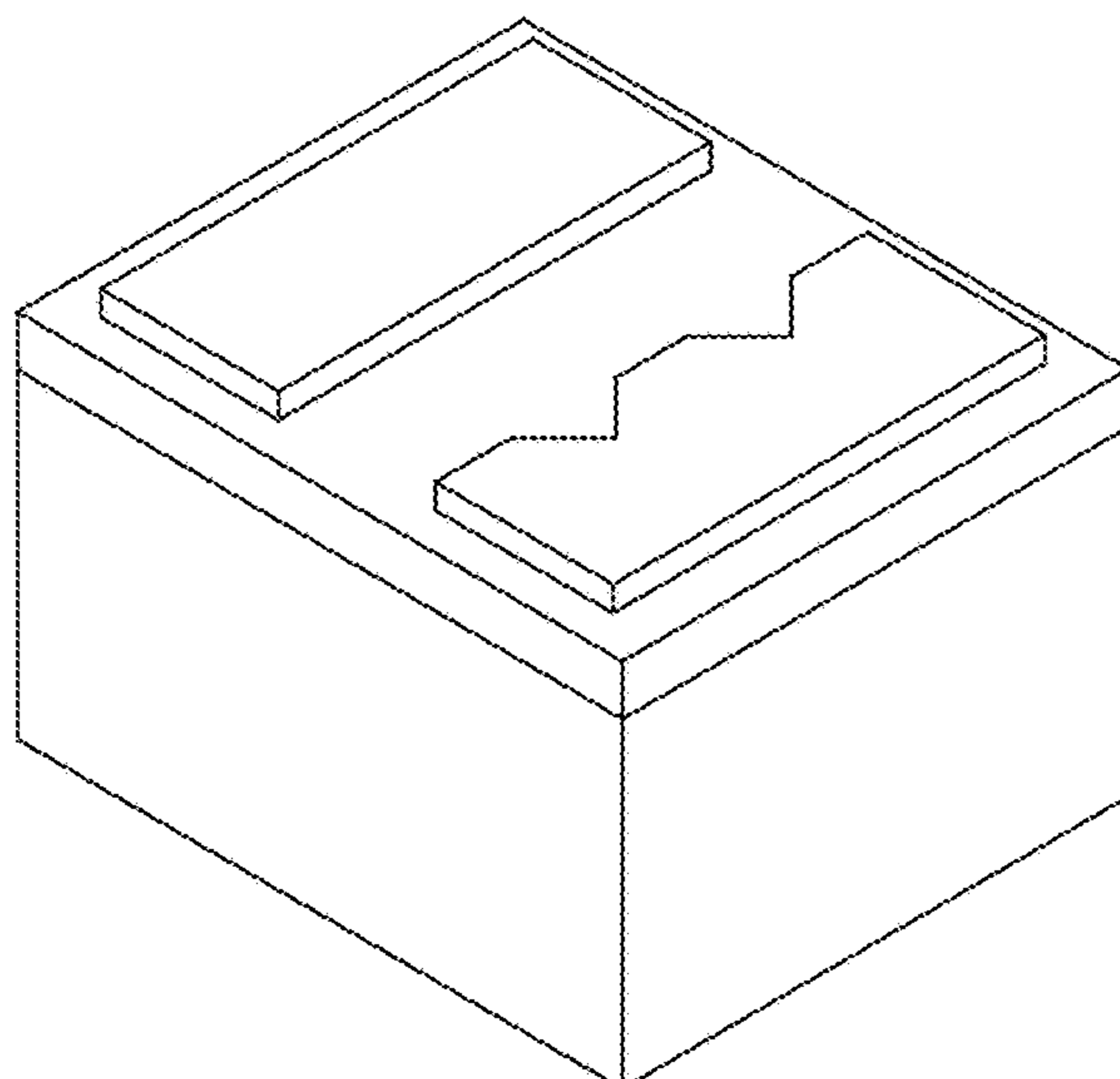


Fig. 15

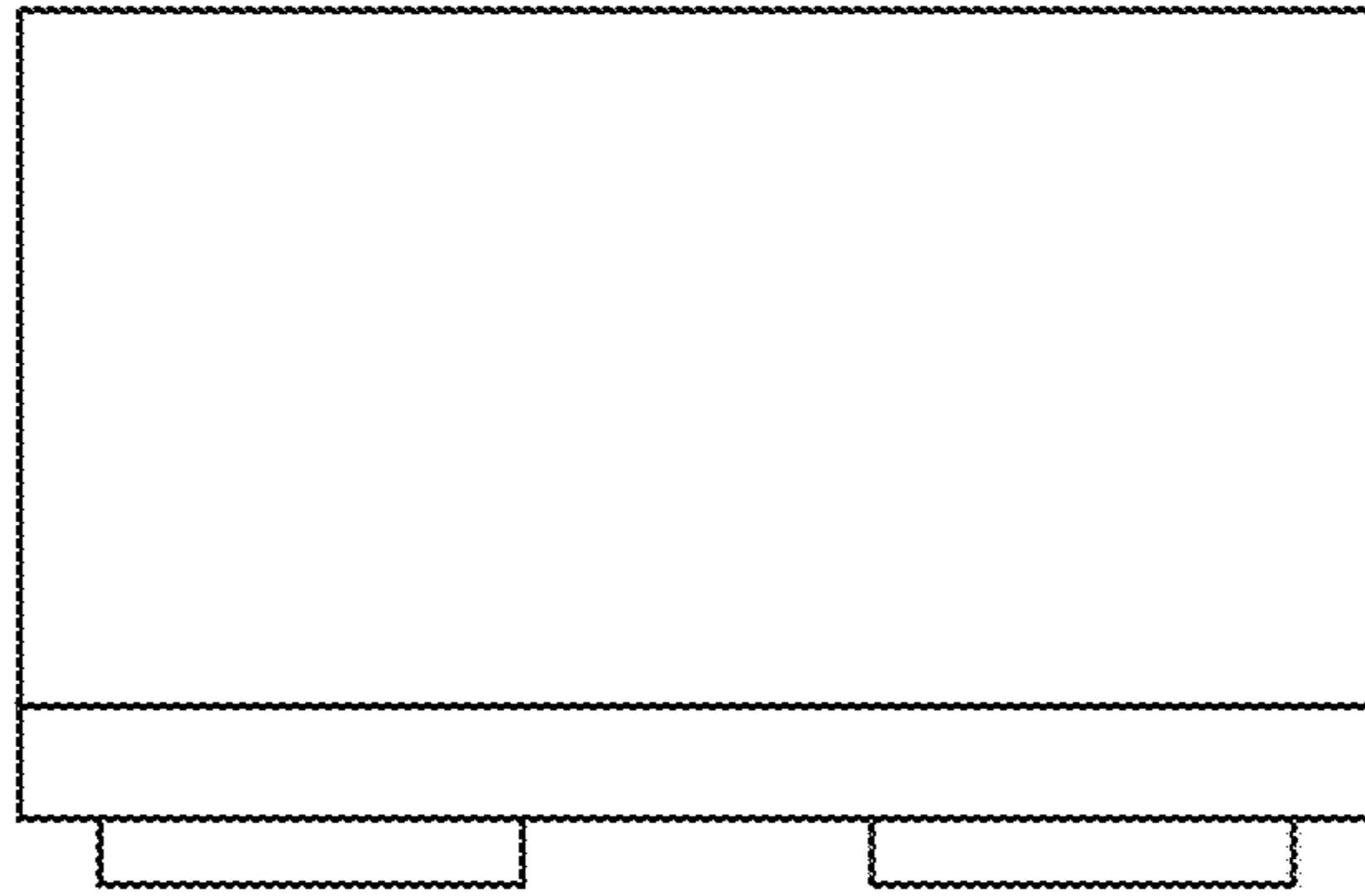


Fig. 16

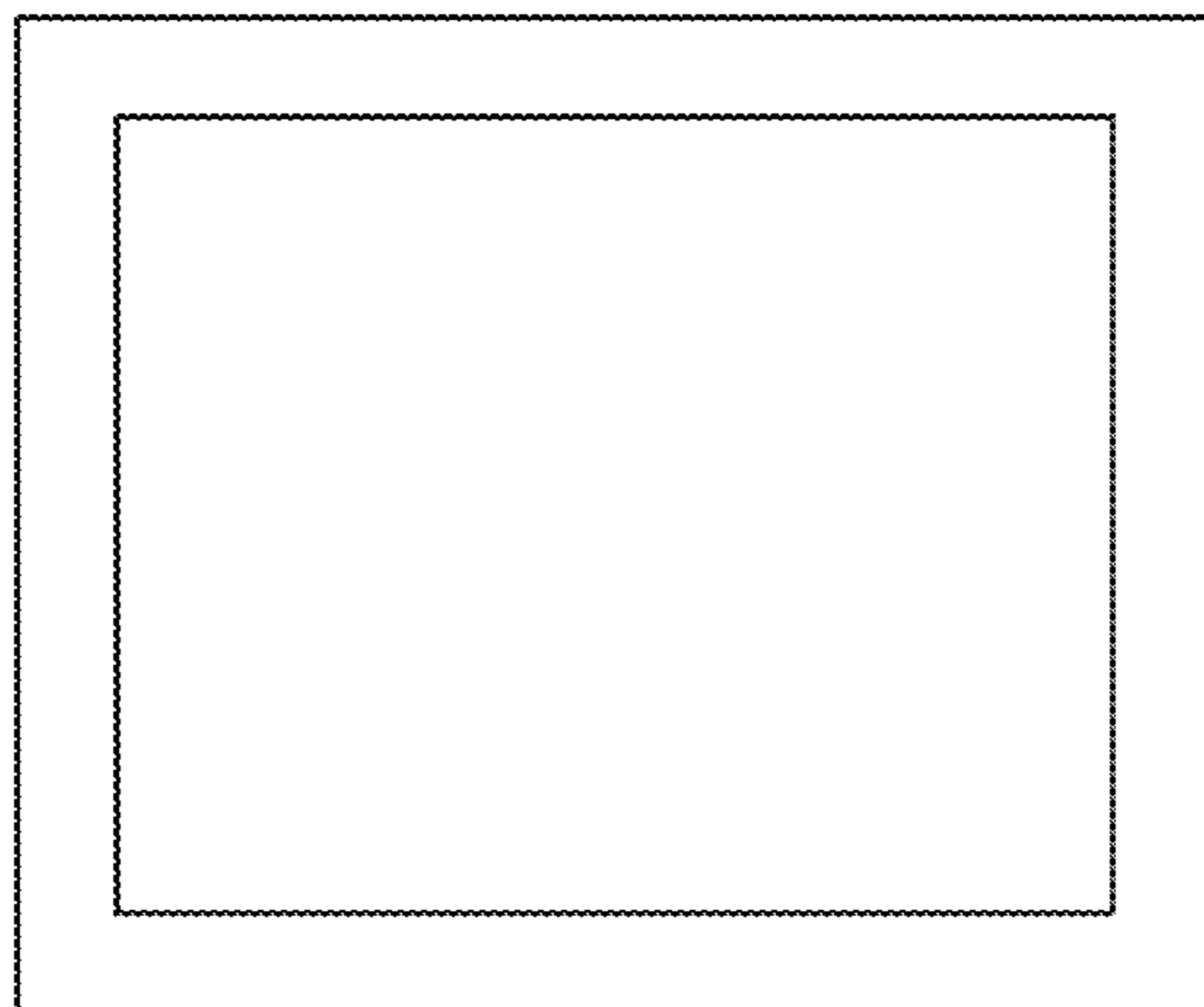


Fig. 17

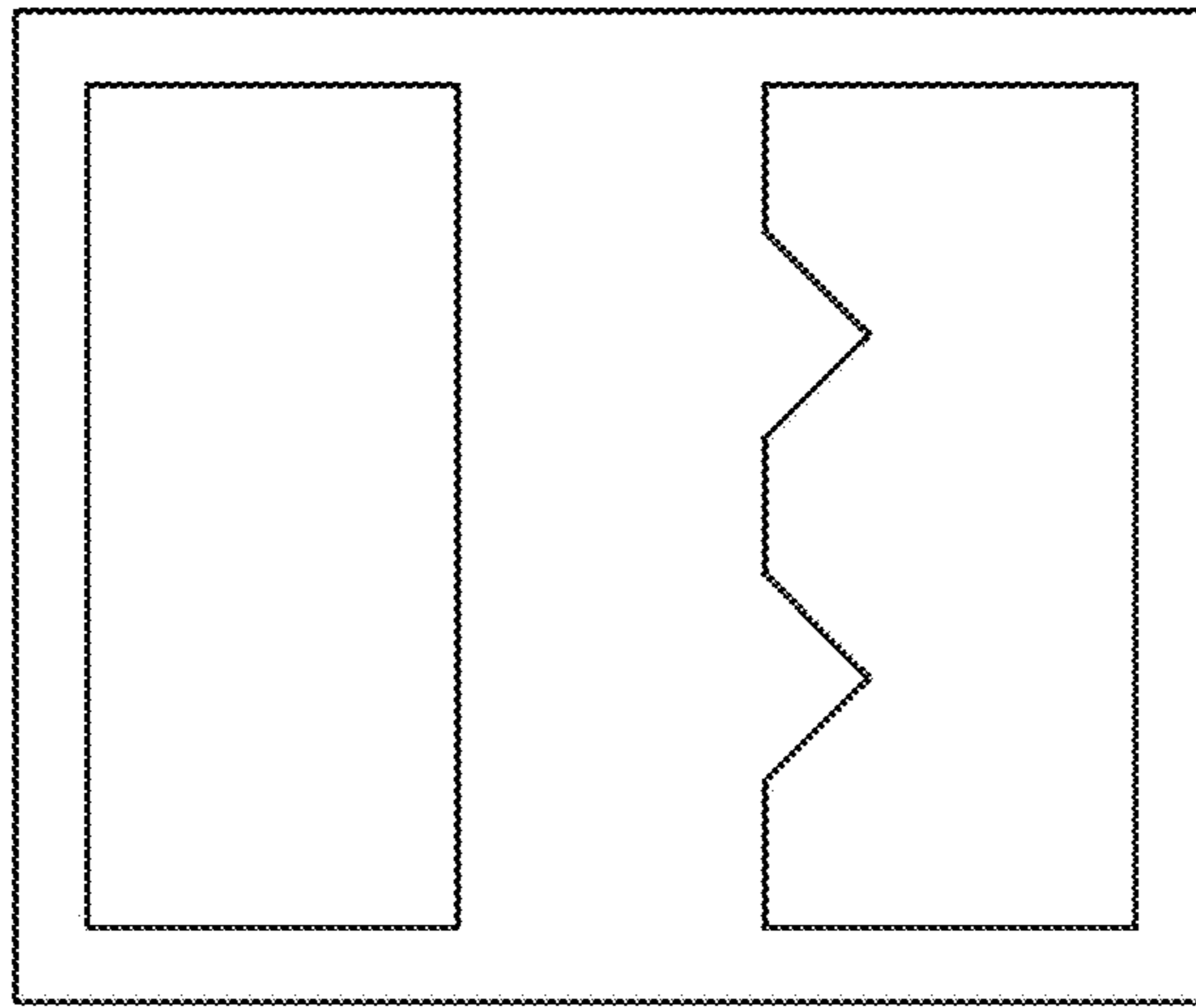


Fig. 18

