



US00D823268S

(12) **United States Design Patent** (10) **Patent No.:** **US D823,268 S**  
**Naumann** (45) **Date of Patent:** **\*\* Jul. 17, 2018**

(54) **ELECTRONIC HYBRID SWITCH FOR RESISTIVE LOADS**

(71) Applicant: **WÖHNER GMBH & CO. KG ELEKTROTECHNISCHE SYSTEME**, Rödental (DE)

(72) Inventor: **Peter Naumann**, München (DE)

(73) Assignee: **Wöhner GmbH & Co. KG Elektrotechnische**, Rodental (DE)

(\*\*) Term: **15 Years**

(21) Appl. No.: **35/501,087**

(22) Filed: **Dec. 16, 2015**

(80) **Hague Agreement Data**

Int. Filing Date: **Dec. 16, 2015**

Int. Reg. No.: **DM/089918**

Int. Reg. Date: **Dec. 16, 2015**

Int. Reg. Pub. Date: **Jun. 17, 2016**

(30) **Foreign Application Priority Data**

Oct. 22, 2015 (EM) ..... 002832261-0001

(51) **LOC (11) Cl.** ..... **13-03**

(52) **U.S. Cl.**  
USPC ..... **D13/178**

(58) **Field of Classification Search**

USPC ..... D14/125, 135, 155, 240, 242, 299, D14/300-302, 314, 348-370, 383-385, D14/435, 496; D10/75, 78; D13/178  
CPC ... G11B 33/027; G11B 33/122; G11B 33/124; G11B 33/022; G11B 33/025; H01R 4/32; H01R 4/60; H01R 4/36; H01R 11/12; H01R 4/363; H01R 4/366; H01R 4/301; H01H 9/104; H01H 9/282; H01H 85/0026; H01H 85/0091

See application file for complete search history.

(56) **References Cited**

U.S. PATENT DOCUMENTS

D289,648	S	*	5/1987	Felix	.....	D14/242
D322,963	S	*	1/1992	Kittirutsunetorn	.....	D14/242
D367,041	S	*	2/1996	Alfaro	.....	D13/160
D399,840	S	*	10/1998	Curbbun	.....	D14/358
D417,223	S	*	11/1999	Groves	.....	D14/125
D417,453	S	*	12/1999	Du	.....	D14/242
D431,557	S	*	10/2000	Lutz, Jr.	.....	D14/242
6,259,598	B1	*	7/2001	Beaman	.....	G06F 1/181 361/679.32
D488,150	S	*	4/2004	Chen	.....	D14/242
D493,165	S	*	7/2004	Kiple	.....	D14/242
D514,563	S	*	2/2006	Kuramashi	.....	D14/349
D579,931	S	*	11/2008	Chang	.....	D14/242
D580,423	S	*	11/2008	Ju	.....	D14/240
D594,864	S	*	6/2009	Song	.....	D14/358
D613,727	S	*	4/2010	Xie	.....	D14/240

(Continued)

*Primary Examiner* — Melanie H Tung

*Assistant Examiner* — Bao-Yen T Nguyen

(74) *Attorney, Agent, or Firm* — Millen, White, Zelano & Branigan, P.C.; William F. Nixon

(57) **CLAIM**

The ornamental design for an electronic hybrid switch for resistive loads, as shown and described.

**DESCRIPTION**

1. Commutator [electricity]

1.1 : Perspective

1.2 : Front

1.3 : Back

1.4 : Right

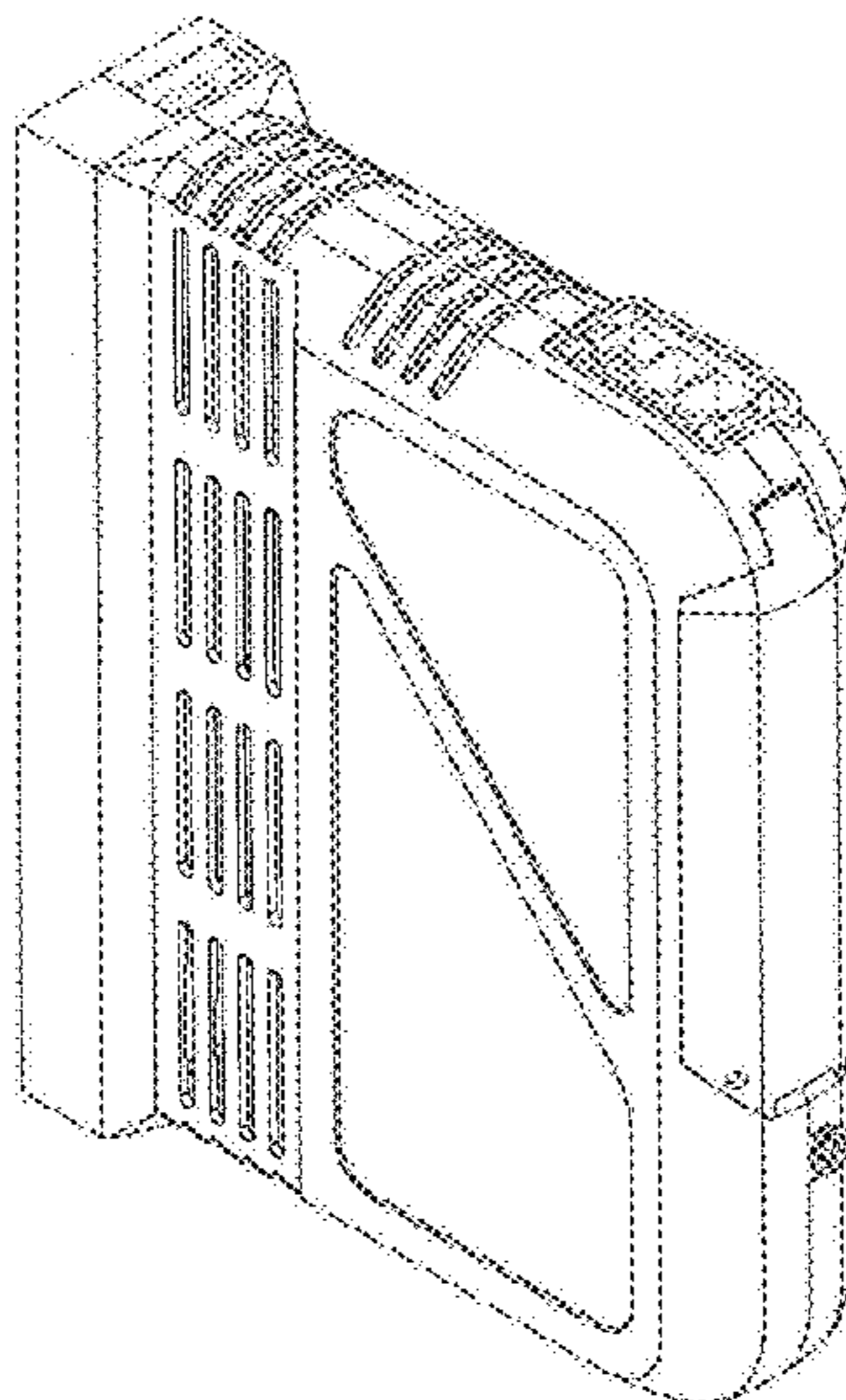
1.5 : Left

1.6 : Bottom

1.7 : Top

The broken lines in the drawings depict portions of the electronic hybrid switch for resistive loads that form no part of the claimed design.

**1 Claim, 7 Drawing Sheets**



(56)

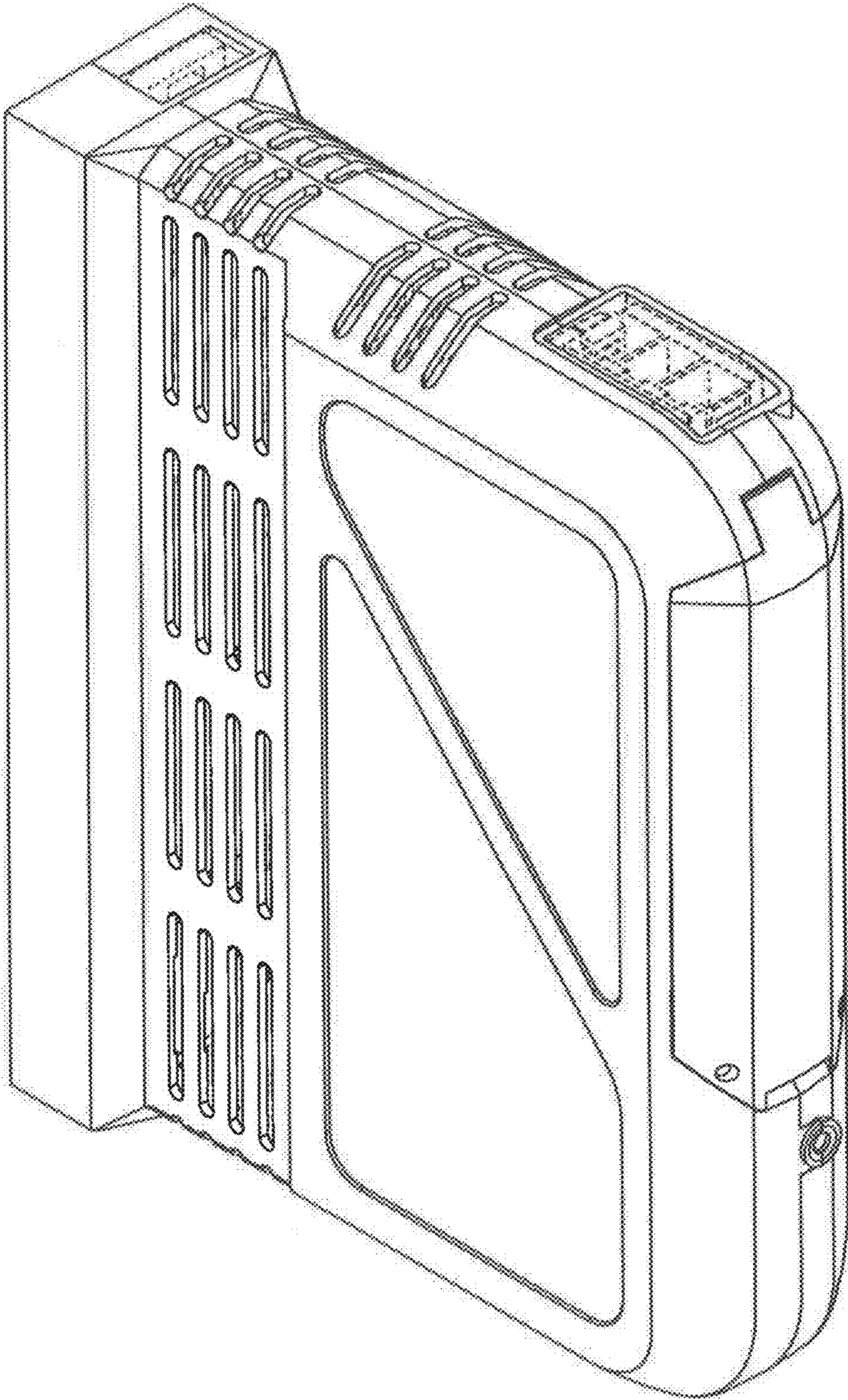
**References Cited**

U.S. PATENT DOCUMENTS

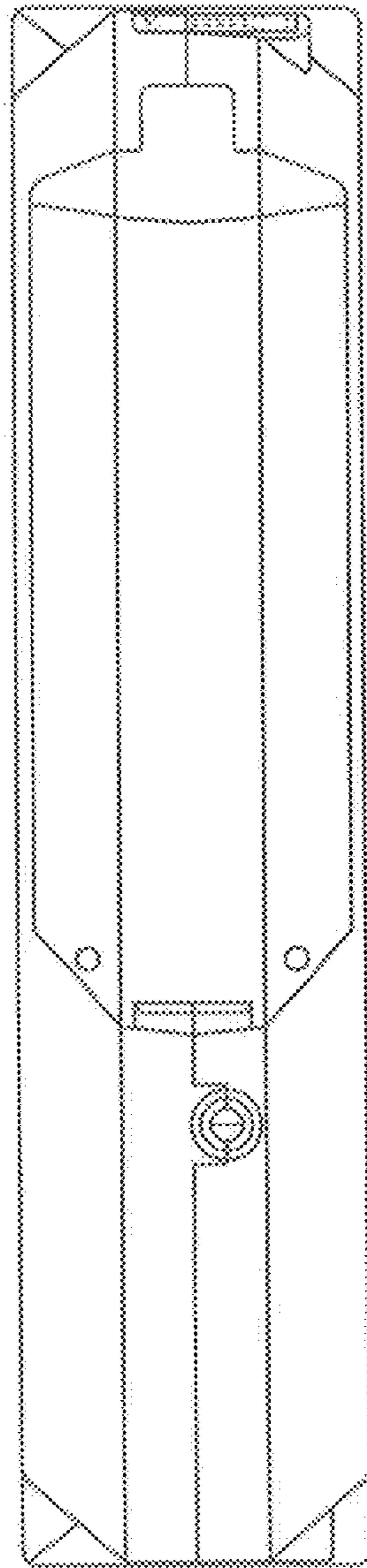
D656,936 S \* 4/2012 Saunders ..... D14/240  
D669,060 S \* 10/2012 Huang ..... D14/240  
D671,100 S \* 11/2012 Huang ..... D14/242  
D671,925 S \* 12/2012 Tsuda ..... D14/240  
8,384,509 B2 \* 2/2013 Buettner ..... H01H 85/547  
337/142  
D687,023 S \* 7/2013 Jung ..... D14/242  
D702,218 S \* 4/2014 Wu ..... D14/242  
D761,255 S \* 7/2016 Takano ..... D14/358  
D762,594 S \* 8/2016 Henning ..... D13/161  
D762,595 S \* 8/2016 Henning ..... D13/161  
D784,330 S \* 4/2017 Zhou ..... D14/240  
2006/0243569 A1 \* 11/2006 Buettner ..... H01H 71/08  
200/42.01  
2007/0188291 A1 \* 8/2007 Buettner ..... H01H 31/122  
337/190  
2016/0231515 A1 \* 8/2016 Byun ..... G02B 6/3893

\* cited by examiner

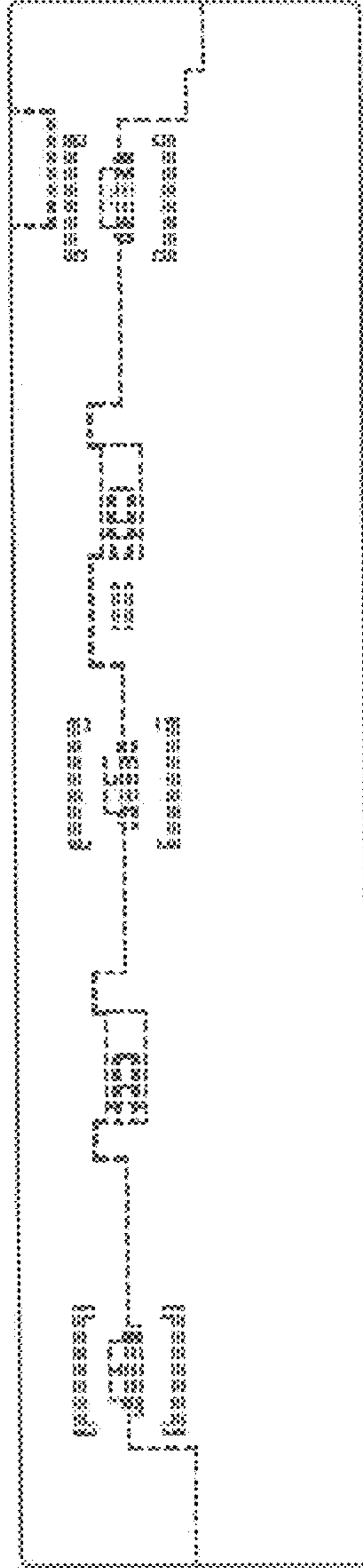
1.1



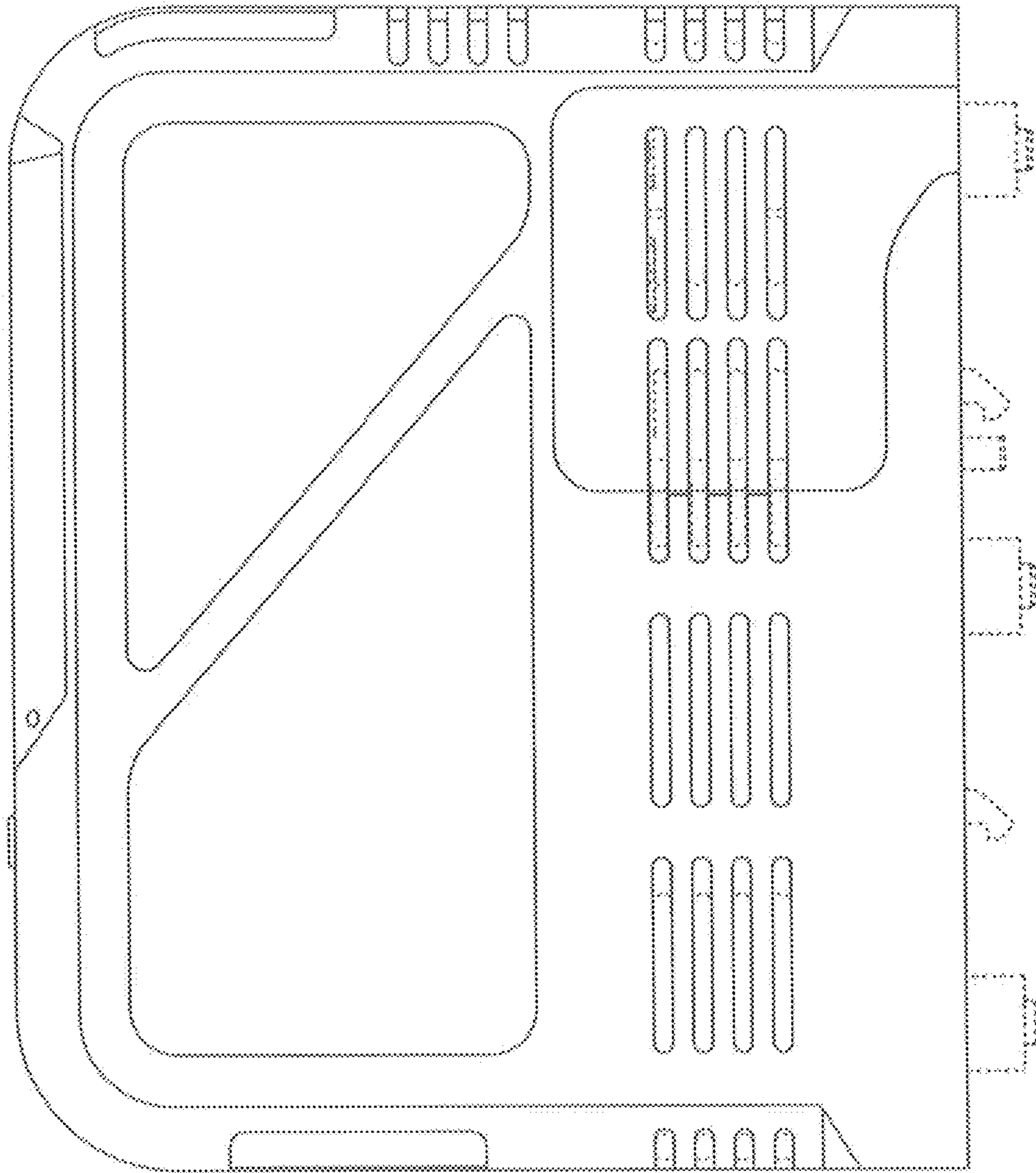
1.2

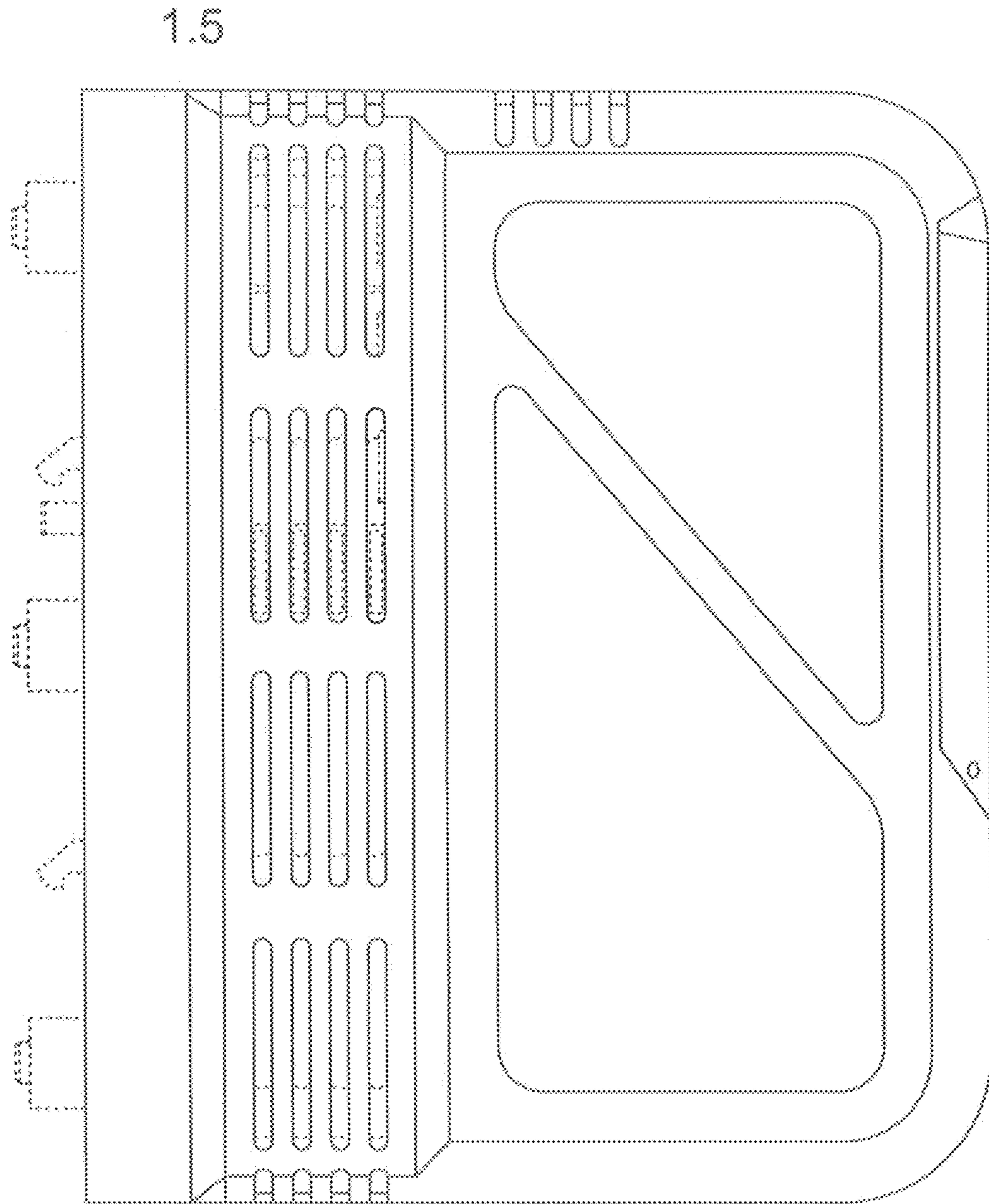


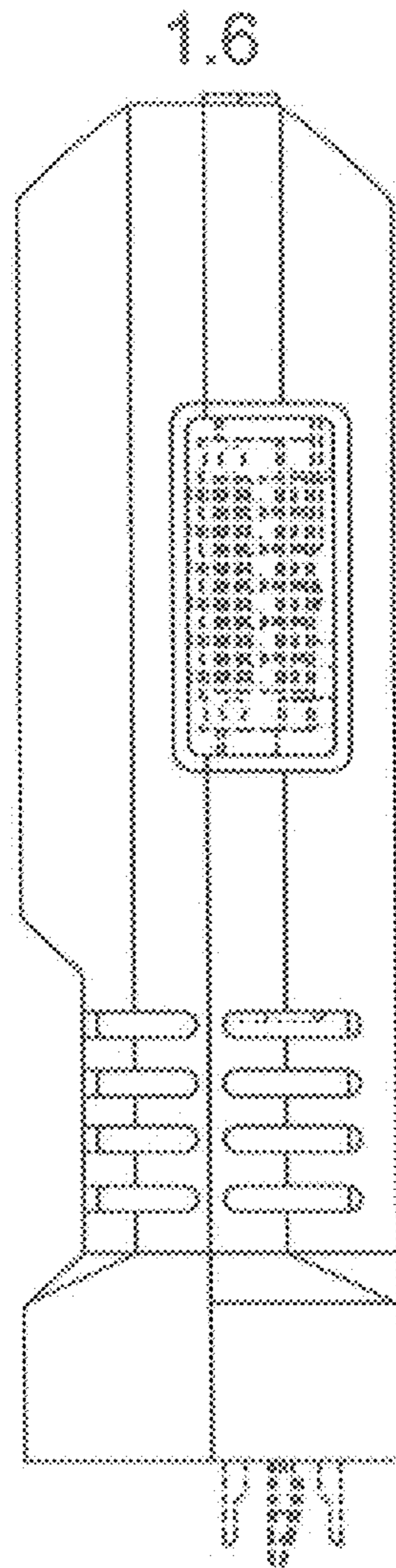
1.3



1.4









1.7

