



US00D823267S

(12) **United States Design Patent** (10) **Patent No.:** **US D823,267 S**
Sun et al. (45) **Date of Patent:** **** Jul. 17, 2018**

(54) **SWITCH**

(71) Applicant: **Ningbo Dooya Mechanic & Electronic Technology Co., Ltd.**, Ningbo, Zhejiang (CN)

(72) Inventors: **Yong Sun**, Zhejiang (CN); **Jiao Zhao**, Zhejiang (CN)

(73) Assignee: **Ningbo Dooya Mechanic & Electronic Technology Co., Ltd.**, Ningbo (CN)

(**) Term: **15 Years**

(21) Appl. No.: **29/611,258**

(22) Filed: **Jul. 19, 2017**

(30) **Foreign Application Priority Data**

Jun. 30, 2017 (CN) 2017 3 0281960

(51) **LOC (11) Cl.** **13-03**

(52) **U.S. Cl.**
USPC **D13/171; D13/168**

(58) **Field of Classification Search**
USPC D13/158, 162, 168, 171, 173, 174; D14/218
CPC H01H 3/02; H01H 3/022; H01H 3/12; H01H 3/122; H01H 9/02; H01H 9/0235; H01H 13/023; H01H 13/04; H01H 13/06; H01H 13/063; H01H 13/10; H01H 13/12; H01H 13/14; H01H 13/36; H01H 13/64; H01H 13/70; H01H 13/86; H01H 21/24; H01H 25/065; H01H 23/00; A47C 7/506

See application file for complete search history.

(56) **References Cited**

U.S. PATENT DOCUMENTS

D308,853	S	*	6/1990	Maass	D13/138.1
D461,782	S	*	8/2002	Butler	D13/171
D532,755	S	*	11/2006	Hori	D13/174
D626,093	S	*	10/2010	Bates	D13/174
8,106,325	B2	*	1/2012	Laurent	H01H 13/70 200/296
D726,664	S	*	4/2015	McCullar	D13/168
D760,177	S	*	6/2016	Gassner	D13/168
D764,420	S	*	8/2016	Naka	D13/171
D784,960	S	*	4/2017	Gassner	D14/218
D786,805	S	*	5/2017	Anderson	D13/174
9,673,579	B2	*	6/2017	Gassner	H01R 24/60
D808,910	S	*	1/2018	Gassner	D13/169

* cited by examiner

Primary Examiner — Selina Sikder

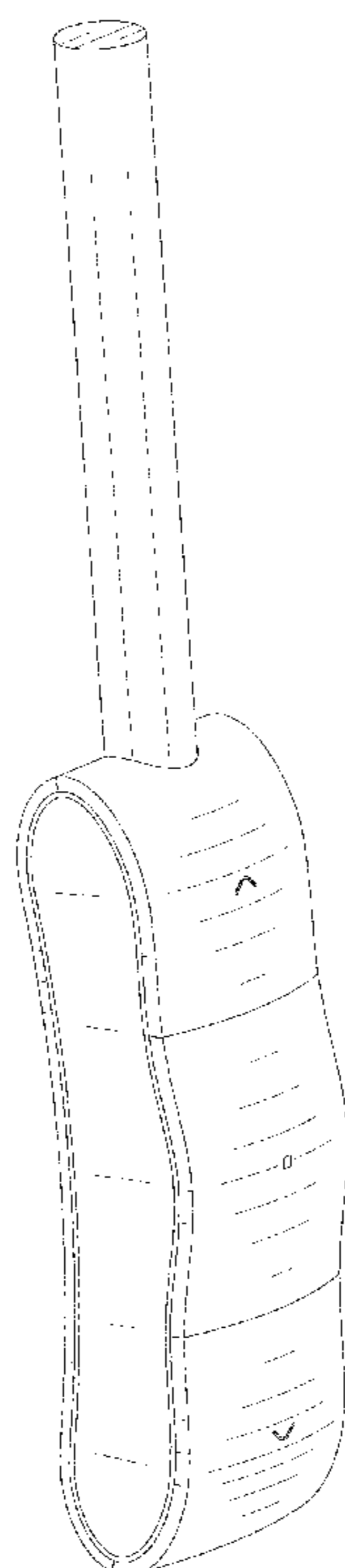
(57) **CLAIM**

The ornamental design for a switch, as shown and described.

DESCRIPTION

FIG. 1 is a front elevational view of a switch showing our new design;
FIG. 2 is a rear elevational view thereof;
FIG. 3 is a left side view thereof;
FIG. 4 is a top plan view thereof;
FIG. 5 is a bottom plan view thereof;
FIG. 6 is a first perspective view thereof; and,
FIG. 7 is a second perspective view thereof.

1 Claim, 7 Drawing Sheets



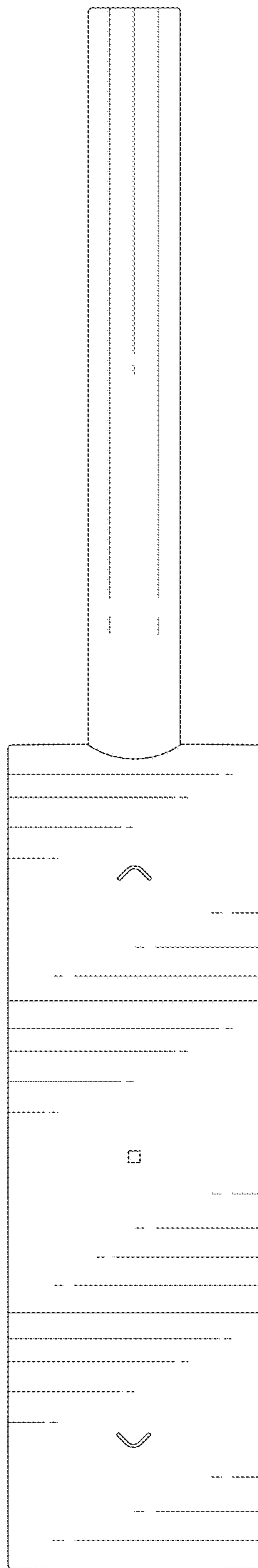


FIG. 1

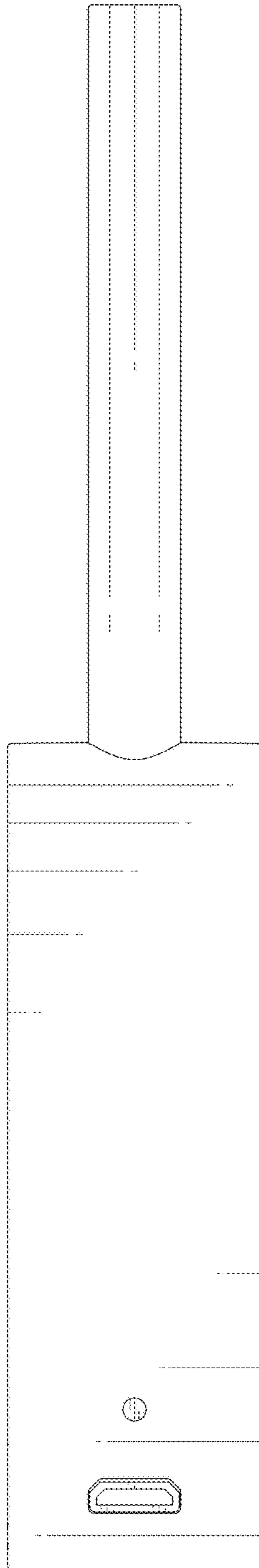


FIG. 2

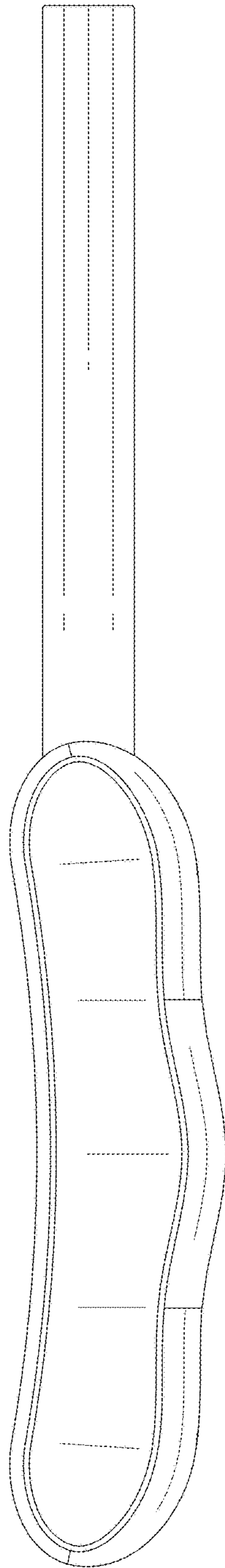


FIG. 3

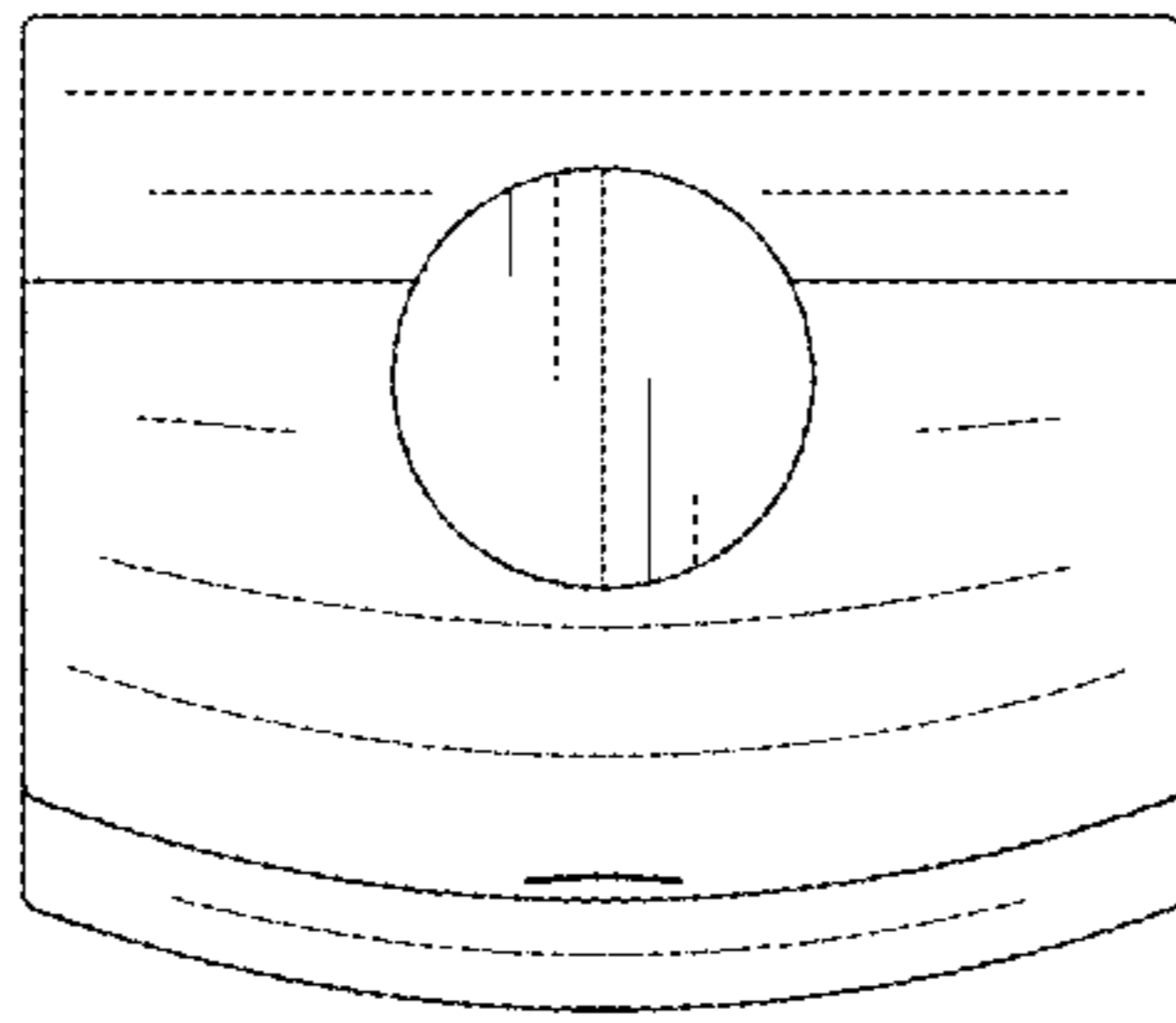


FIG. 4

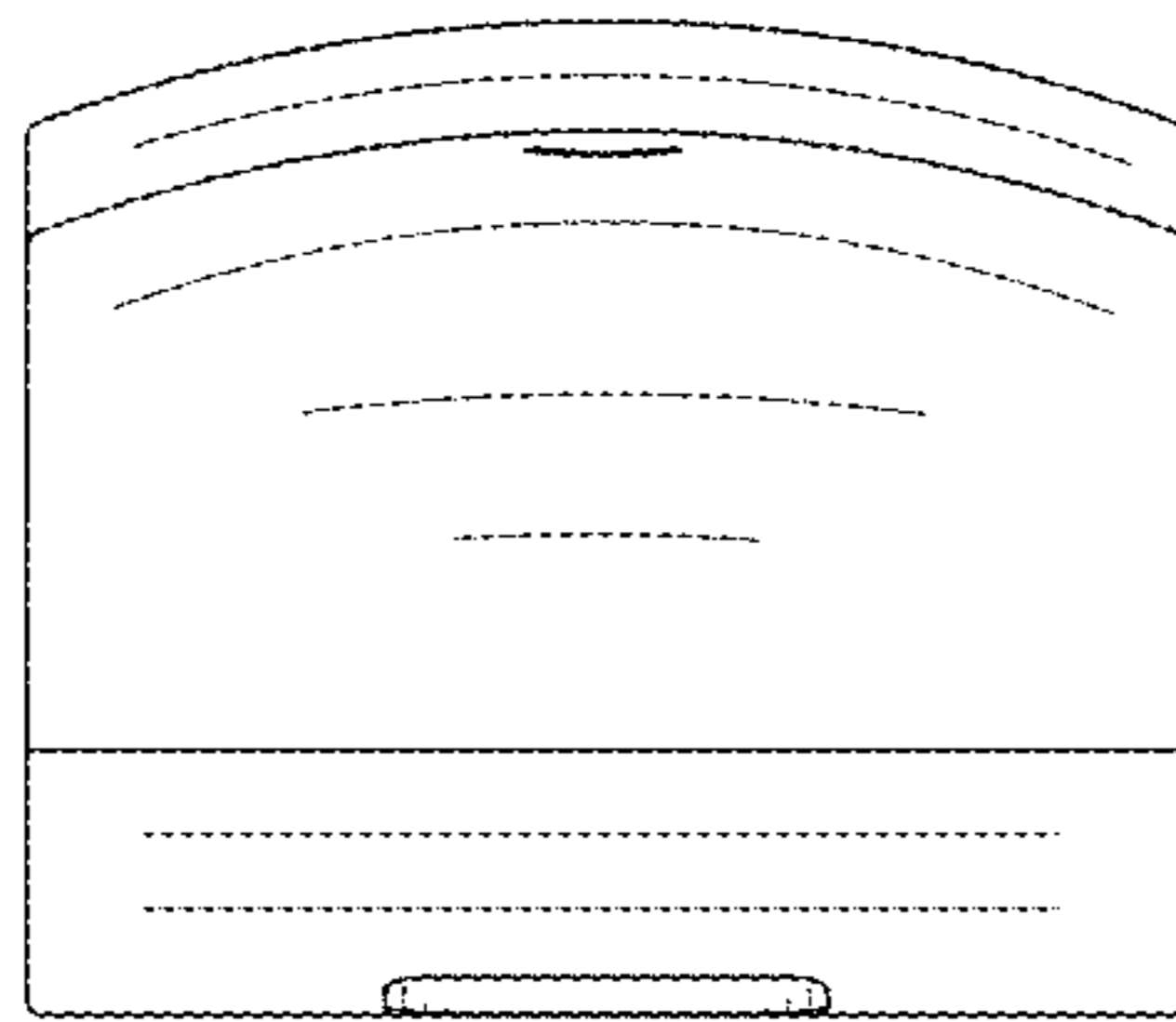


FIG. 5

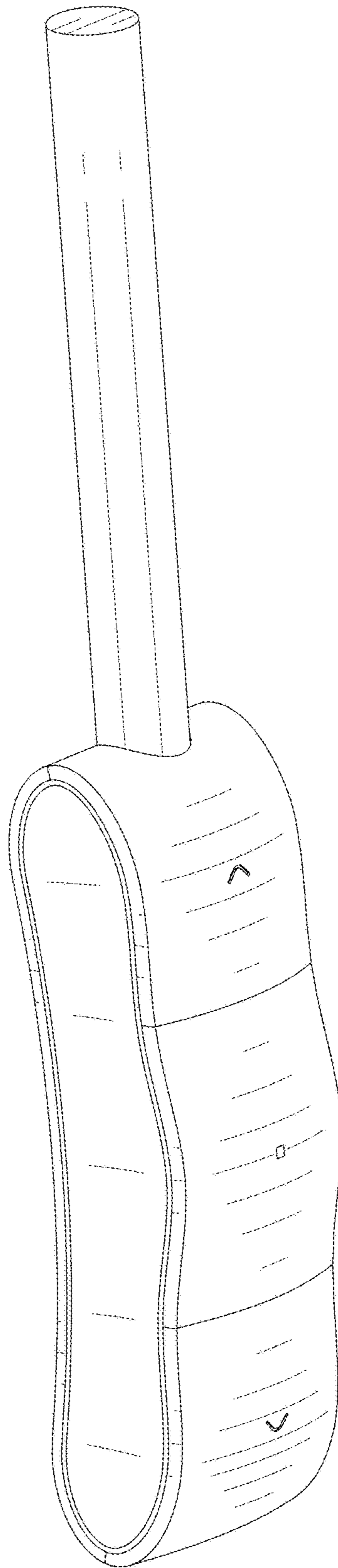


FIG. 6

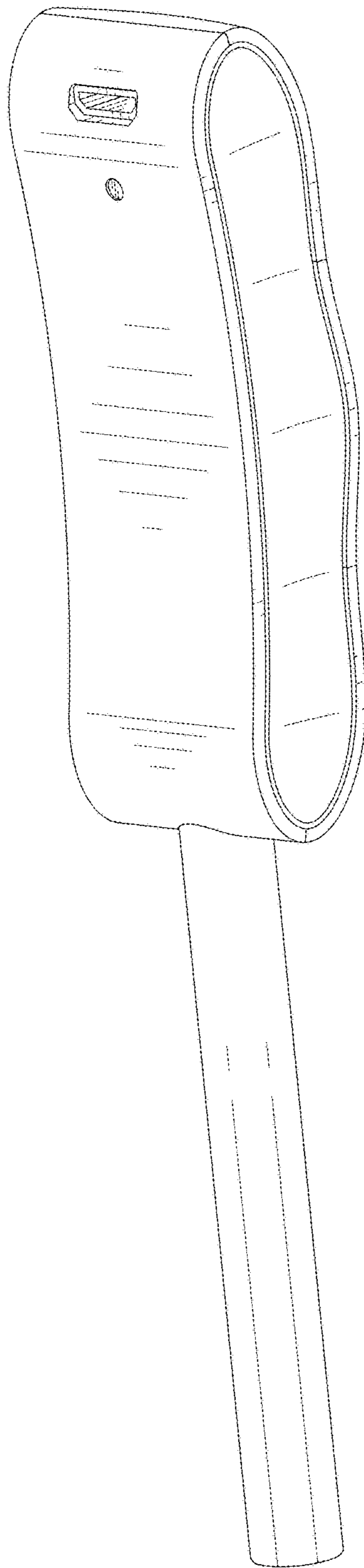


FIG. 7