



US00D823266S

(12) **United States Design Patent**
Brown

(10) **Patent No.:** **US D823,266 S**
(45) **Date of Patent:** **** Jul. 17, 2018**

- (54) **SLIDING SWITCH**
- (71) Applicant: **Digital Pulse Systems Pty Ltd,**
Dromana VIC (AU)
- (72) Inventor: **Theo Walter Brown,** Melbourne (AU)
- (73) Assignee: **DIGITAL PULSE SYSTEMS PTY LTD,** Victoria (AU)
- (**) Term: **15 Years**
- (21) Appl. No.: **29/595,581**
- (22) Filed: **Feb. 28, 2017**
- (51) **LOC (11) Cl.** **13-03**
- (52) **U.S. Cl.**
USPC **D13/170**
- (58) **Field of Classification Search**
USPC D13/158, 160, 170, 171, 173, 174
CPC H01H 3/02; H01H 3/122; H01H 9/04;
H01H 13/02; H01H 13/04; H01H 13/06;
H01H 13/14; H01H 15/00; H01H 15/005;
H01H 15/02; H01H 15/04; H01H 15/06;
H01H 15/08; H01H 15/10; H01H 15/22;
H01H 15/24; H01H 15/102; H01H
15/105

See application file for complete search history.

(56) **References Cited**

U.S. PATENT DOCUMENTS

- 2,550,145 A * 4/1951 Geci H01H 15/02
200/16 C
- 4,582,969 A * 4/1986 Ishiguro H01H 13/14
200/345
- 4,825,020 A * 4/1989 Rao H01H 15/04
200/16 C
- D307,743 S * 5/1990 Pierce D13/170
- 5,051,549 A * 9/1991 Takano H01H 15/04
200/16 C
- D345,344 S * 3/1994 Schaeffer D13/170
- D347,211 S * 5/1994 Dickens D13/171

- 5,657,861 A * 8/1997 Takano H01H 15/06
200/547
- 5,824,977 A * 10/1998 Takano H01H 15/06
200/16 C
- 6,559,752 B1 * 5/2003 Sienkiewicz H01H 37/5418
337/343
- 7,528,335 B2 * 5/2009 Lanser H01H 15/102
200/252
- 7,772,512 B2 * 8/2010 Milo E05B 17/22
200/341
- D626,921 S * 11/2010 Pang D13/158
- D646,640 S * 10/2011 Clymer D13/160
- D675,168 S * 1/2013 Yass D13/170
- D689,445 S * 9/2013 Chu D13/158
- 8,853,574 B2 * 10/2014 Christophy H01H 15/02
200/302.1
- 9,000,315 B2 * 4/2015 Baum H01H 13/06
200/302.2

(Continued)

Primary Examiner — Selina Sikder

(74) *Attorney, Agent, or Firm* — Miller Nash Graham & Dunn LLP

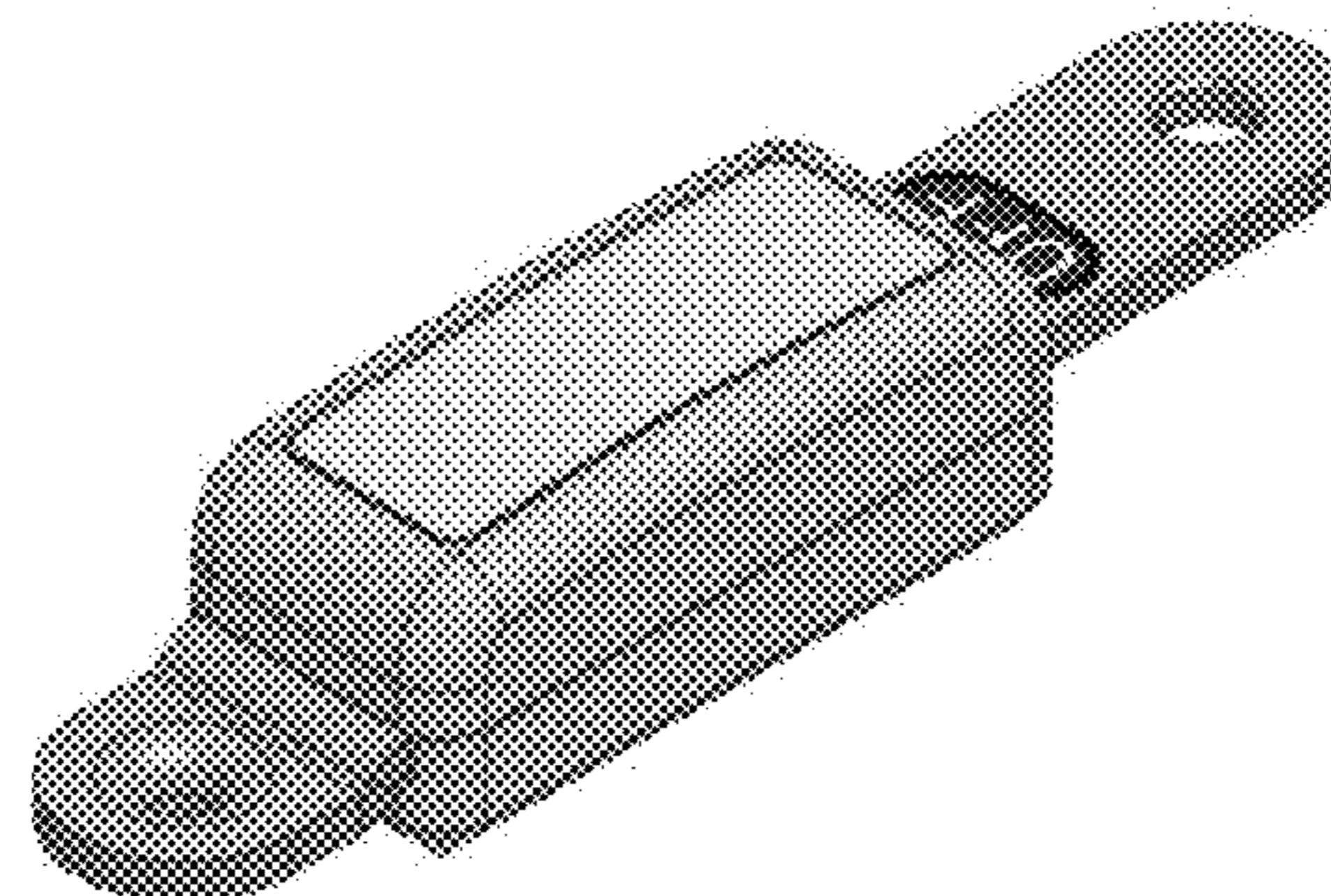
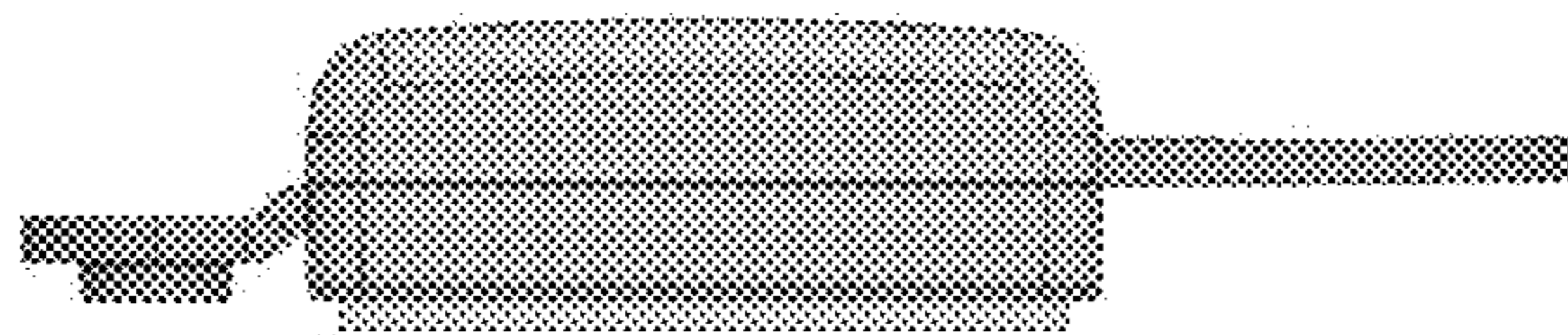
(57) **CLAIM**

The ornamental design for a sliding switch, as shown and described.

DESCRIPTION

FIG. 1 illustrates a bottom front left perspective view thereof;
 FIG. 2 illustrates a bottom front right perspective view thereof;
 FIG. 3 illustrates a bottom view thereof;
 FIG. 4 illustrates a front view thereof;
 FIG. 5 illustrates a left side view thereof;
 FIG. 6 illustrates a right side view thereof;
 FIG. 7 illustrates a top front left perspective view thereof;
 FIG. 8 illustrates a top front right perspective view thereof;
 and,
 FIG. 9 illustrates a top view thereof.

1 Claim, 5 Drawing Sheets



(56)

References Cited

U.S. PATENT DOCUMENTS

9,159,985 B2 * 10/2015 Nakanishi H01H 37/14
D783,546 S * 4/2017 Peng D13/170
9,691,570 B1 * 6/2017 Dinh H01H 13/10
9,767,972 B2 * 9/2017 Peng H01H 1/5805
9,831,054 B2 * 11/2017 Chen H01H 37/52
9,831,056 B2 * 11/2017 Mochizuki H01H 83/20
2002/0003465 A1 * 1/2002 Takeda H01H 37/5427
337/298
2005/0133357 A1 * 6/2005 Shimoda B60Q 3/82
200/550
2010/0258424 A1 * 10/2010 Ui H01H 15/16
200/5 A
2013/0021770 A1 * 1/2013 Yang H01H 3/122
361/807
2017/0140884 A1 * 5/2017 Peng H01H 1/5805

* cited by examiner

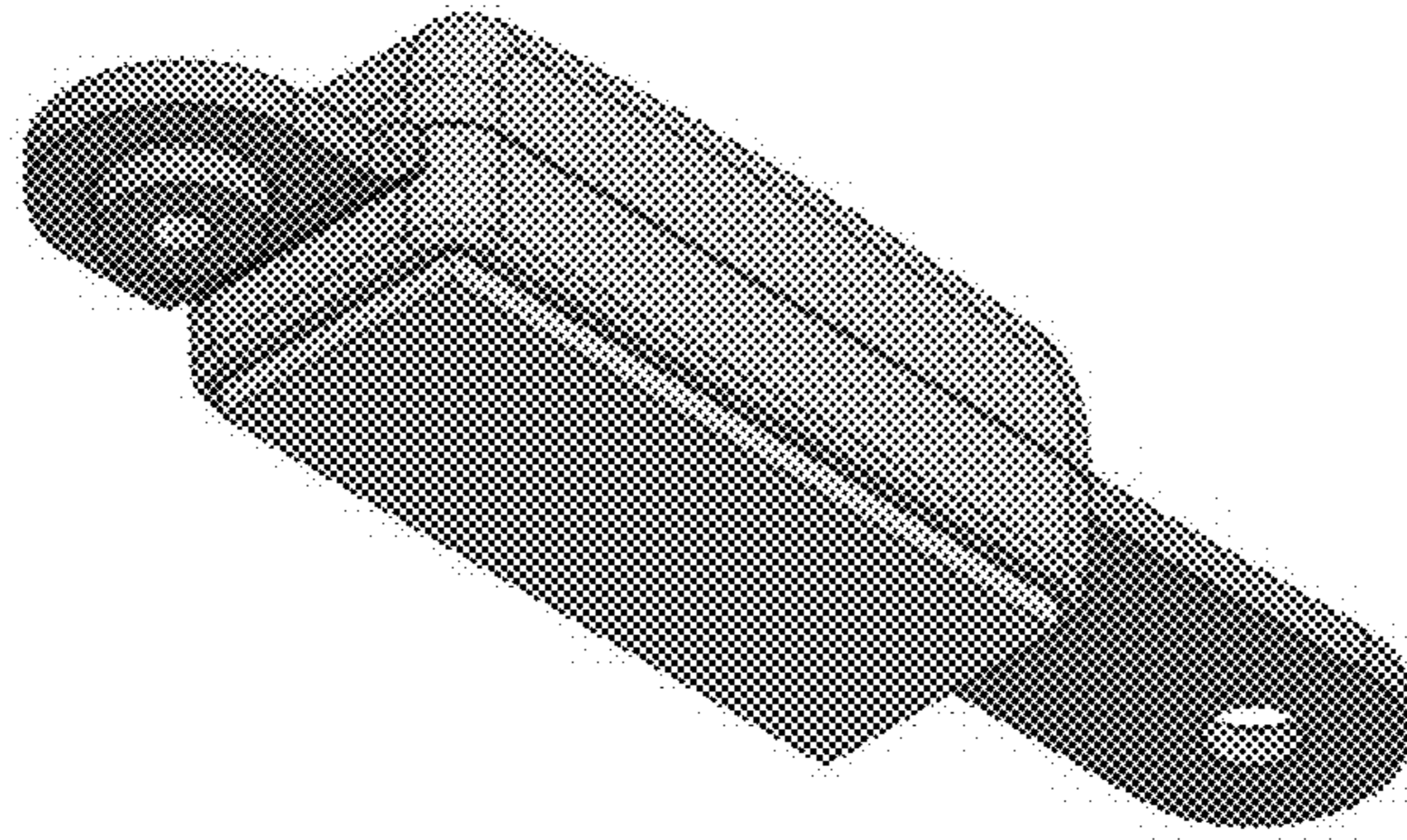


FIG. 1

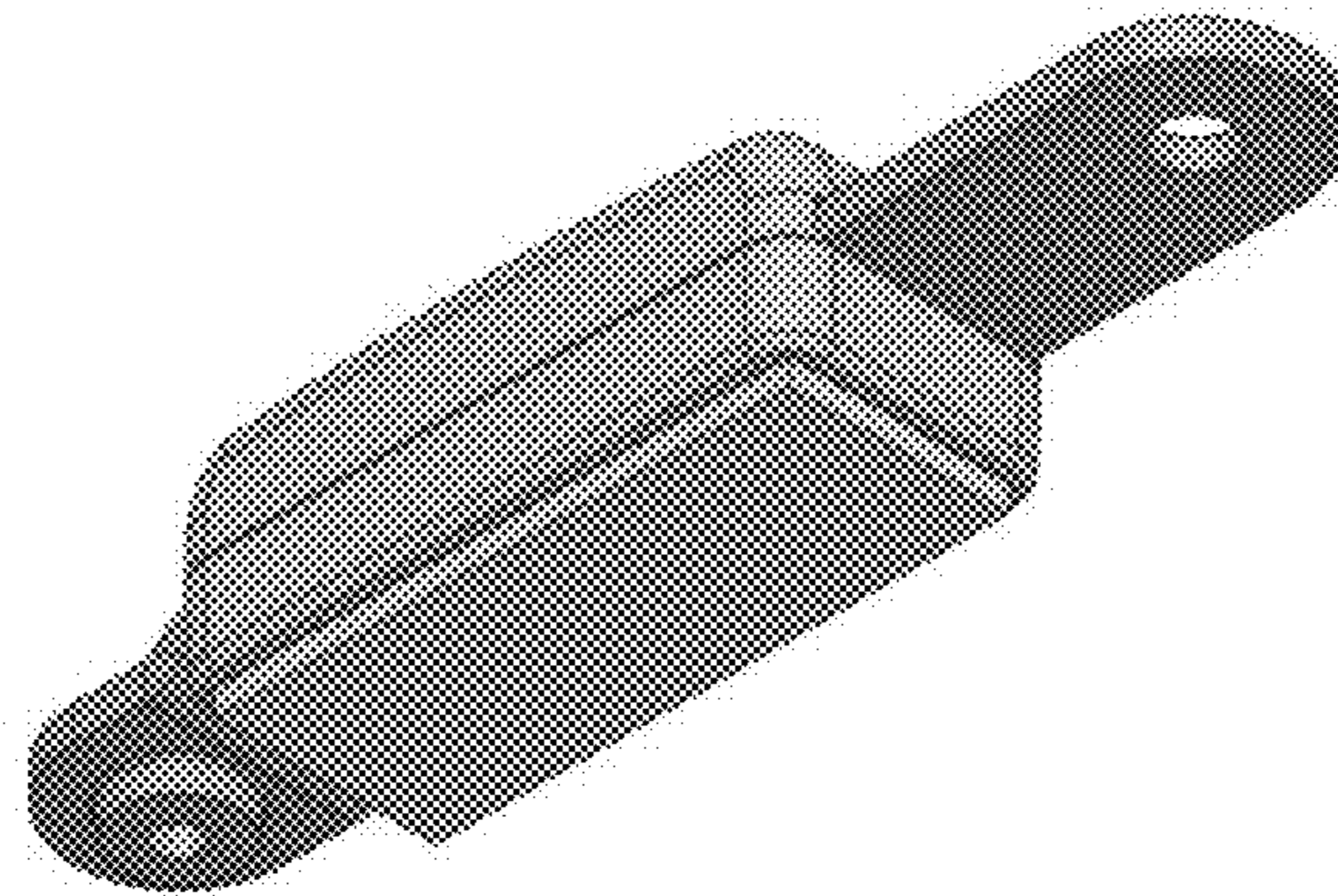


FIG. 2

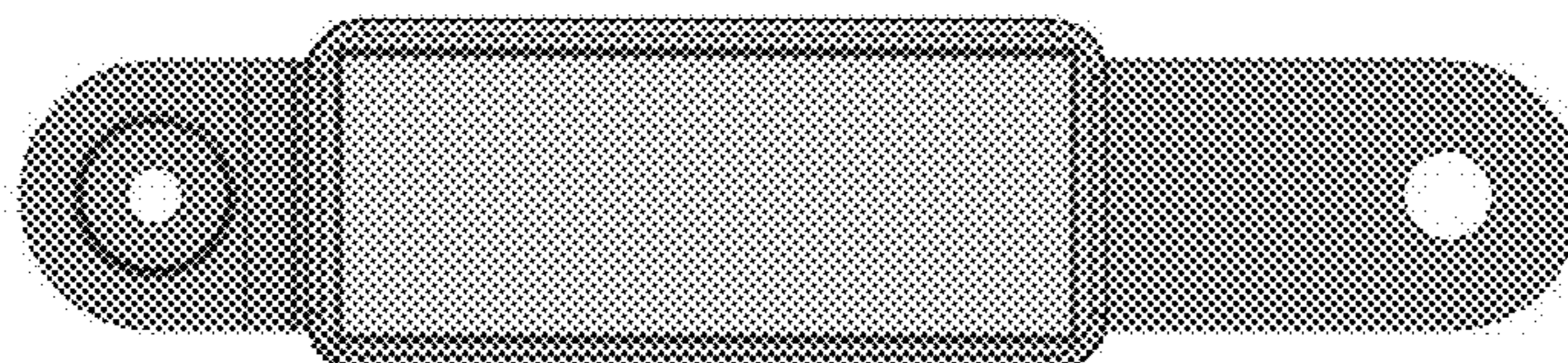


FIG. 3

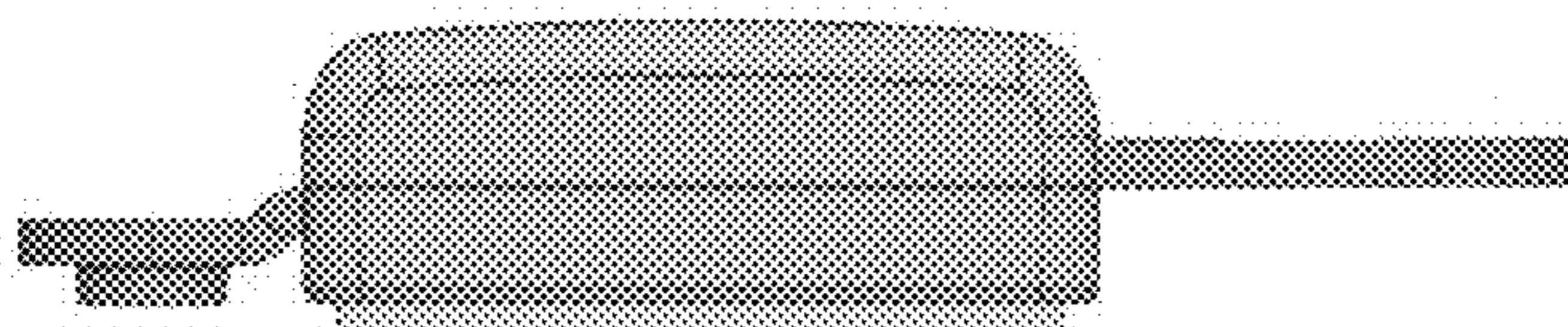


FIG. 4

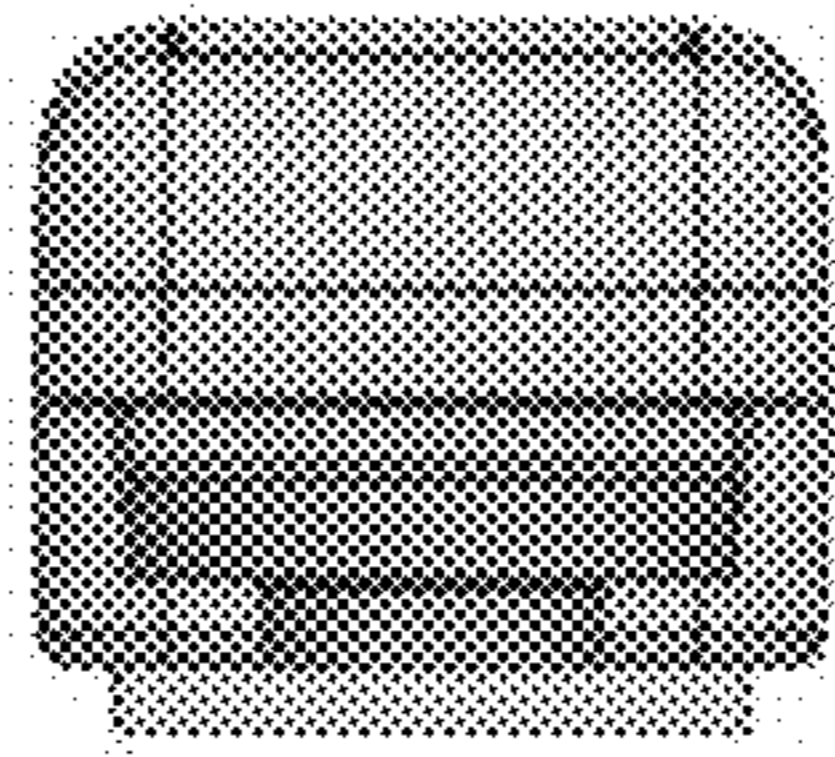


FIG. 5

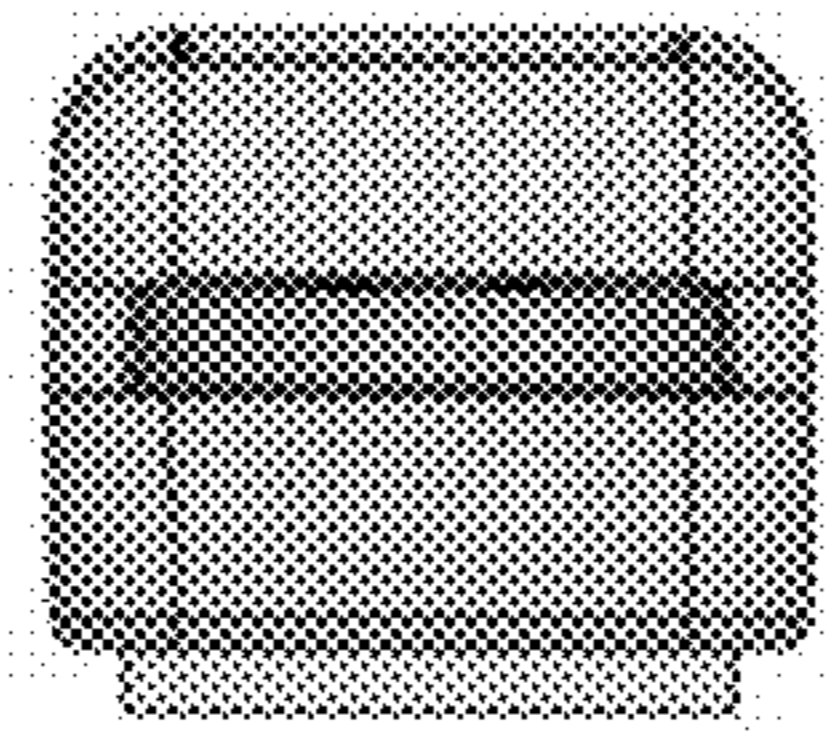


FIG. 6

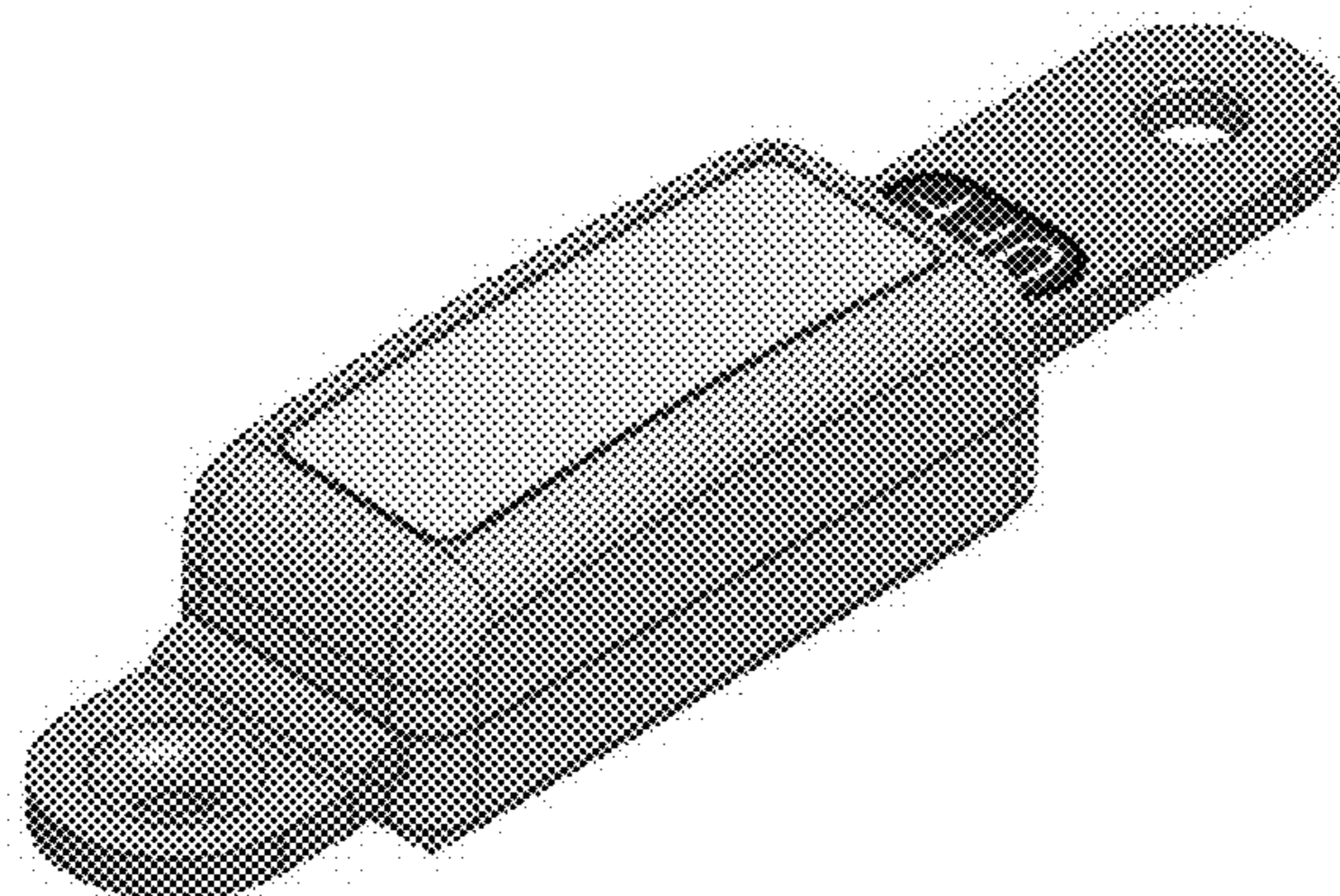


FIG. 7

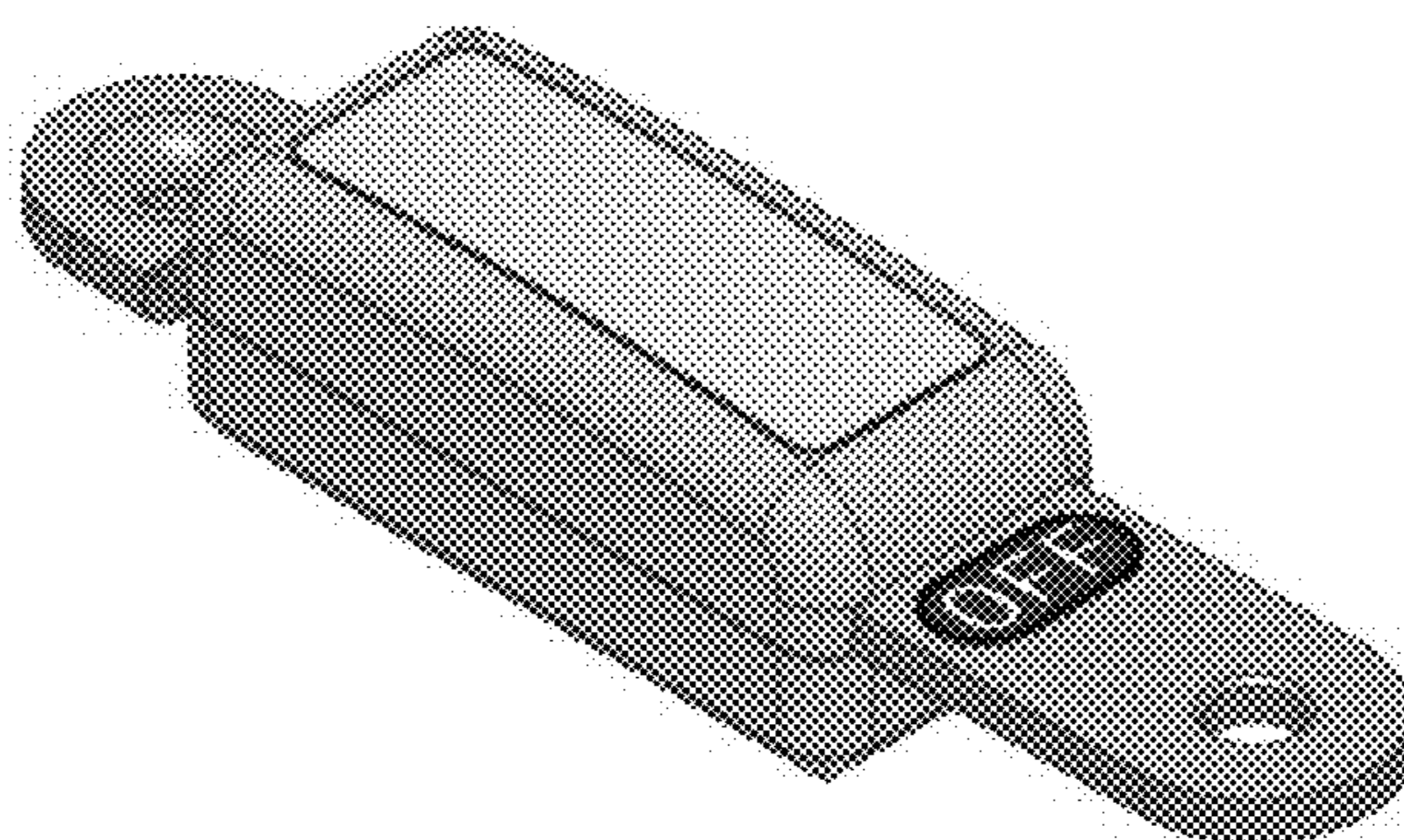


FIG. 8

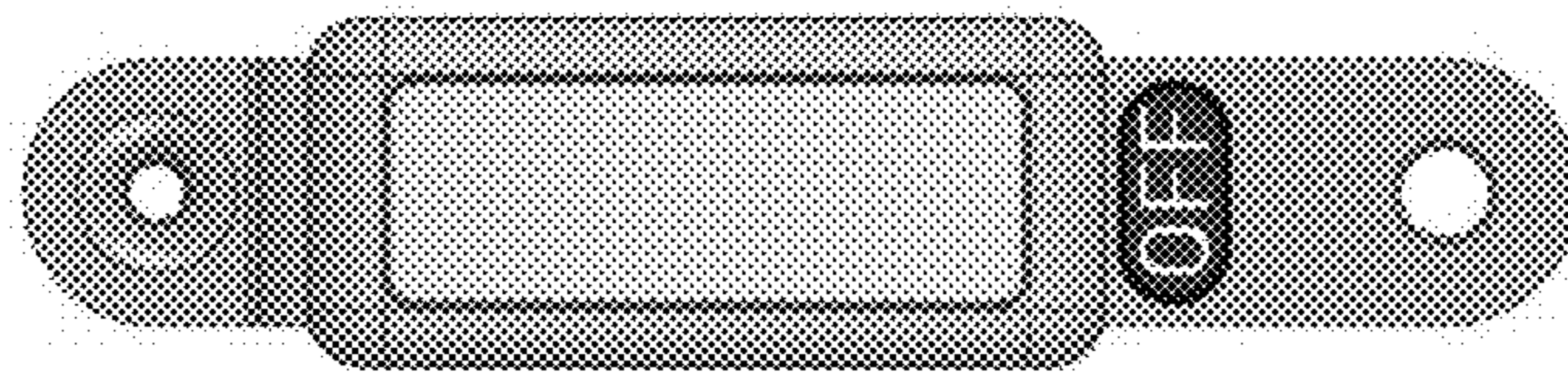


FIG. 9