



US00D823264S

(12) **United States Design Patent** (10) **Patent No.:** **US D823,264 S**  
**Ryan et al.** (45) **Date of Patent:** **\*\* Jul. 17, 2018**

(54) **REMOTE CONTROL HOUSING**  
(71) Applicant: **Universal Electronics Inc.**, Santa Ana, CA (US)  
(72) Inventors: **Brian Ryan**, Darlington (GB); **Richard Remmes**, Santa Ana, CA (US); **Alex Lai**, Lake Silver (HK)  
(73) Assignee: **Universal Electronics Inc.**, Santa Ana, CA (US)  
(\*\*) Term: **15 Years**  
(21) Appl. No.: **29/582,445**  
(22) Filed: **Oct. 27, 2016**  
(51) **LOC (11) Cl.** ..... **14-03**  
(52) **U.S. Cl.**  
USPC ..... **D13/168**; D14/218  
(58) **Field of Classification Search**  
USPC ..... D13/168; D14/218  
CPC ..... H05K 5/0217; H05K 5/0221; H05K 5/03; H01H 9/0235; H01H 9/0242; H04B 1/202; G08C 17/00; G08C 17/02; G08C 19/28; G08C 23/04; H04N 21/4221; H04N 21/42204; H04N 5/44582  
See application file for complete search history.

2013/0165190 A1\* 6/2013 Ko ..... H05K 5/03 455/575.8  
2013/0328461 A1\* 12/2013 Chung ..... H05K 5/0221 312/223.1  
2014/0016996 A1\* 1/2014 Chung ..... H05K 5/0221 403/321  
2015/0061475 A1\* 3/2015 Fairchild ..... H05K 5/0013 312/223.1  
2015/0156903 A1\* 6/2015 Heimerl ..... H05K 5/0204 174/520  
2015/0228420 A1\* 8/2015 McDaniel ..... H01H 9/0242 206/524.6  
2015/0277487 A1\* 10/2015 Gerst ..... G06F 1/1626 361/679.01  
2015/0289398 A1\* 10/2015 Takase ..... G02F 1/133308 428/138  
2016/0120047 A1\* 4/2016 Chang ..... H05K 5/0221 361/679.01  
2017/0170446 A1\* 6/2017 Tompkins ..... H01M 2/34  
2017/0263114 A1\* 9/2017 Yoon ..... G08C 17/02

\* cited by examiner

*Primary Examiner* — Selina Sikder  
(74) *Attorney, Agent, or Firm* — Greenberg Traurig, LLP

(57) **CLAIM**

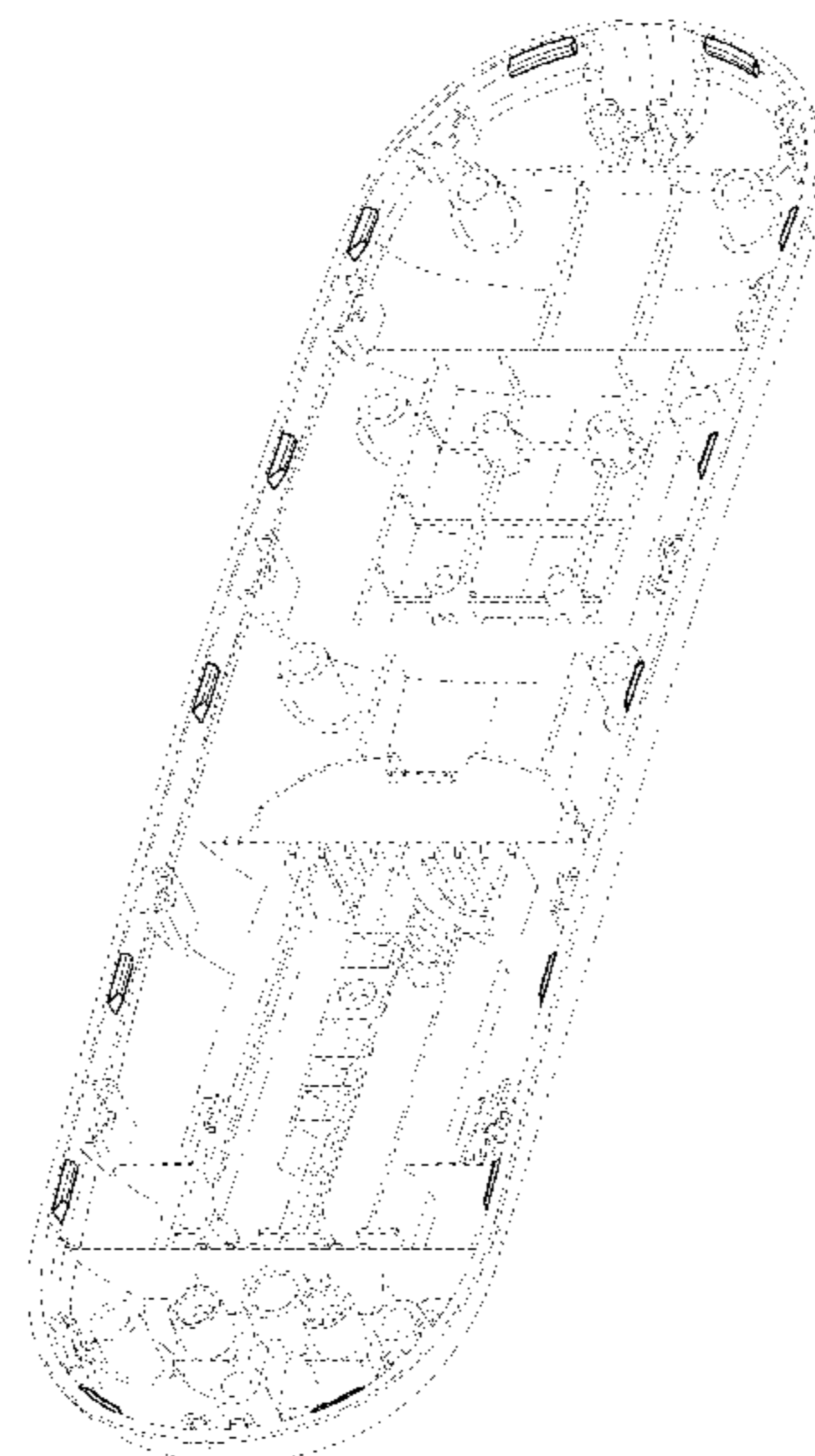
The ornamental design for a remote control housing, as shown and described.

**DESCRIPTION**

FIG. 1 is a top perspective view of a remote control housing showing my new design;  
FIG. 2 is a bottom perspective view thereof;  
FIG. 3 is a top plan view thereof;  
FIG. 4 is a bottom view thereof;  
FIG. 5 is a right side elevational view thereof;  
FIG. 6 is a left side elevational view thereof;  
FIG. 7 is front elevational view thereof; and,  
FIG. 8 is a rear elevational view thereof.  
The broken lines illustrate portions of the remote control housing that form no part of the claimed design.

**1 Claim, 6 Drawing Sheets**

(56) **References Cited**  
U.S. PATENT DOCUMENTS  
D533,165 S \* 12/2006 Knight ..... D14/218  
D601,976 S \* 10/2009 Petrillo ..... D13/168  
9,155,210 B2 \* 10/2015 Hwang ..... H05K 5/0017  
D774,493 S \* 12/2016 Wong ..... D14/218  
D785,602 S \* 5/2017 Park ..... D14/218  
9,703,330 B2 \* 7/2017 Johnson ..... G06F 1/181  
2010/0062323 A1\* 3/2010 Dong ..... H01M 2/1066 429/96  
2010/0102576 A1\* 4/2010 Zhang ..... A45F 5/00 292/261



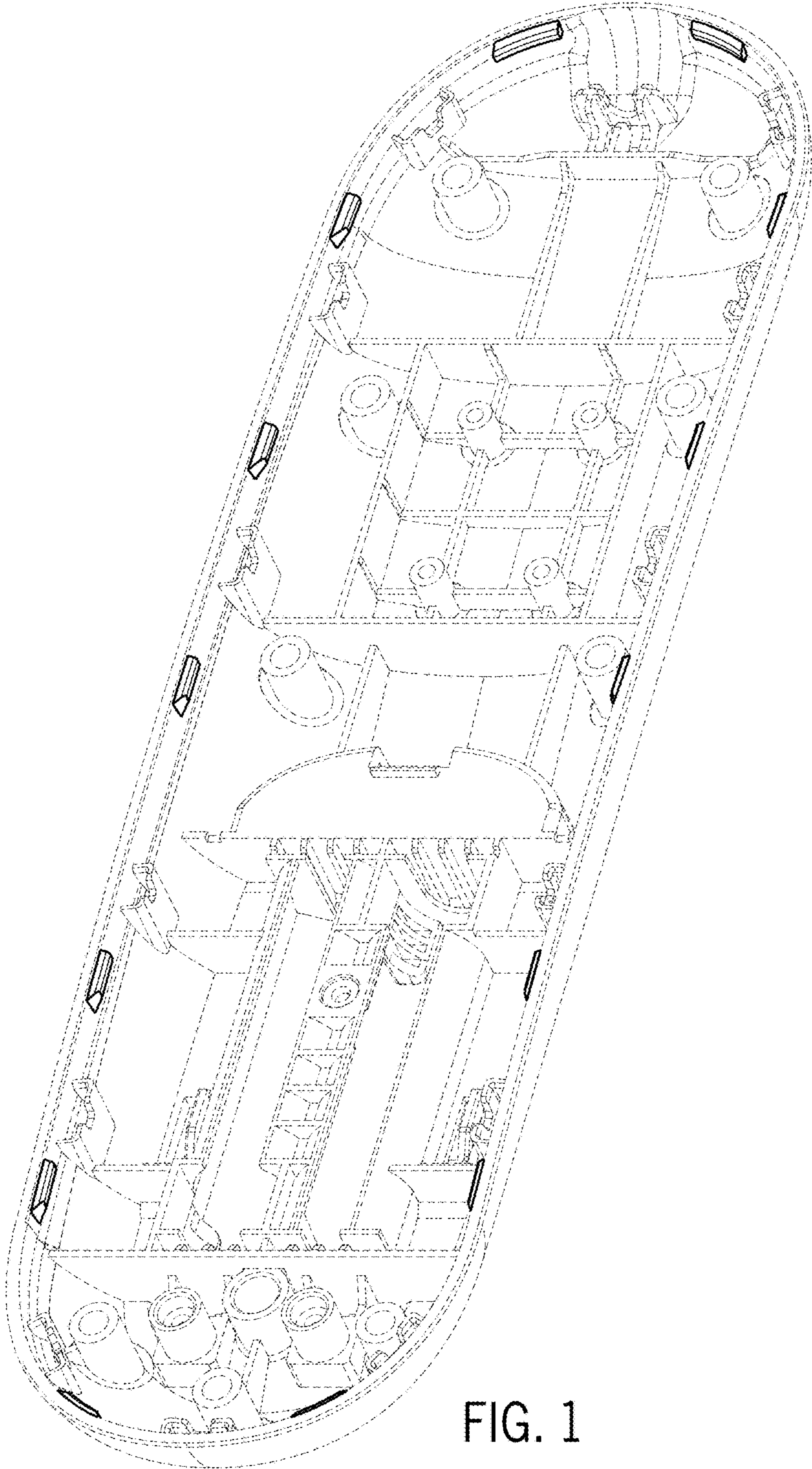


FIG. 1

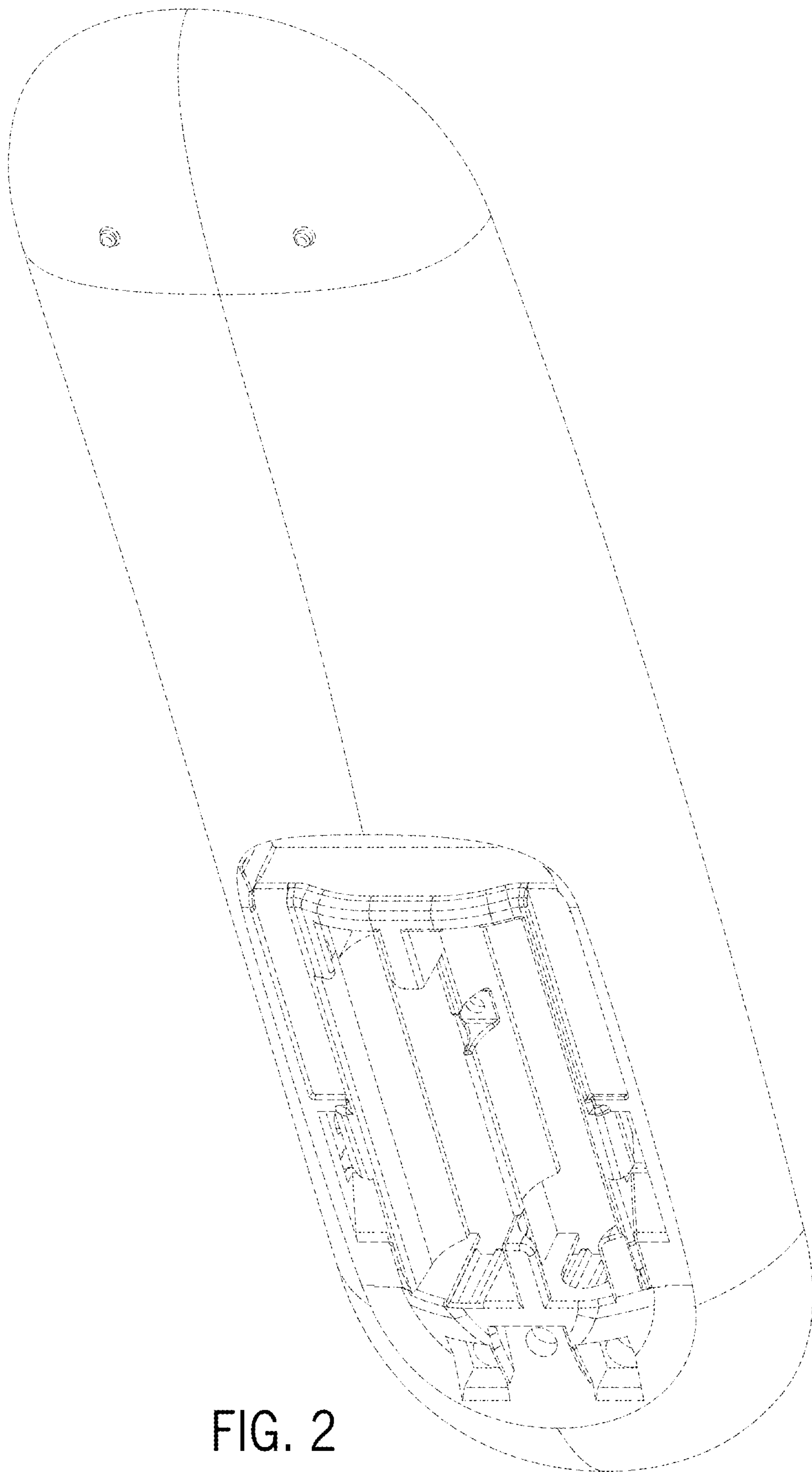


FIG. 2

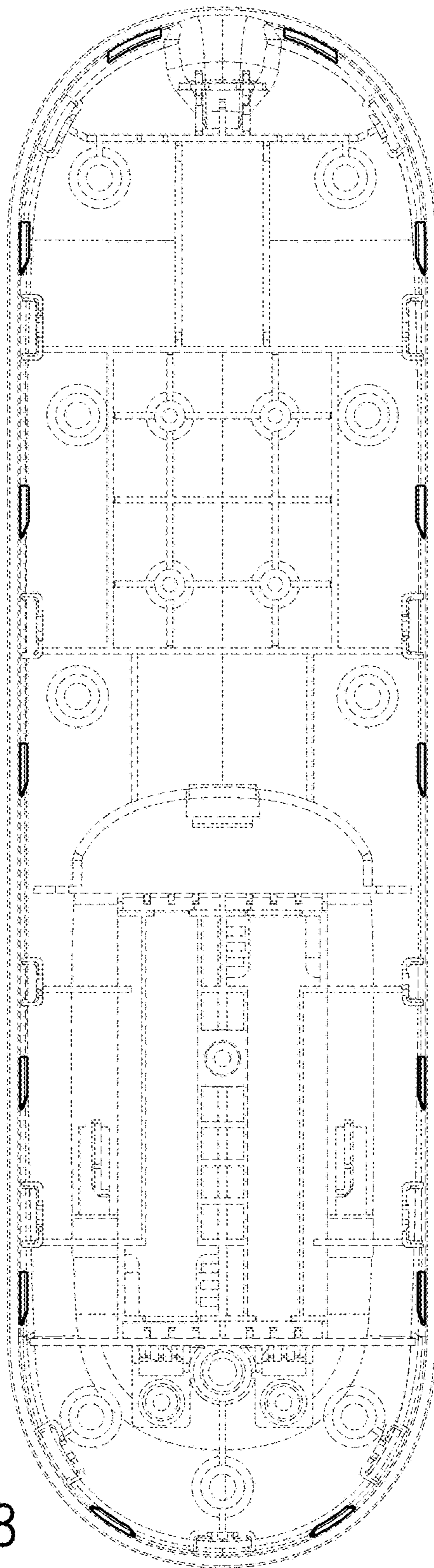


FIG. 3

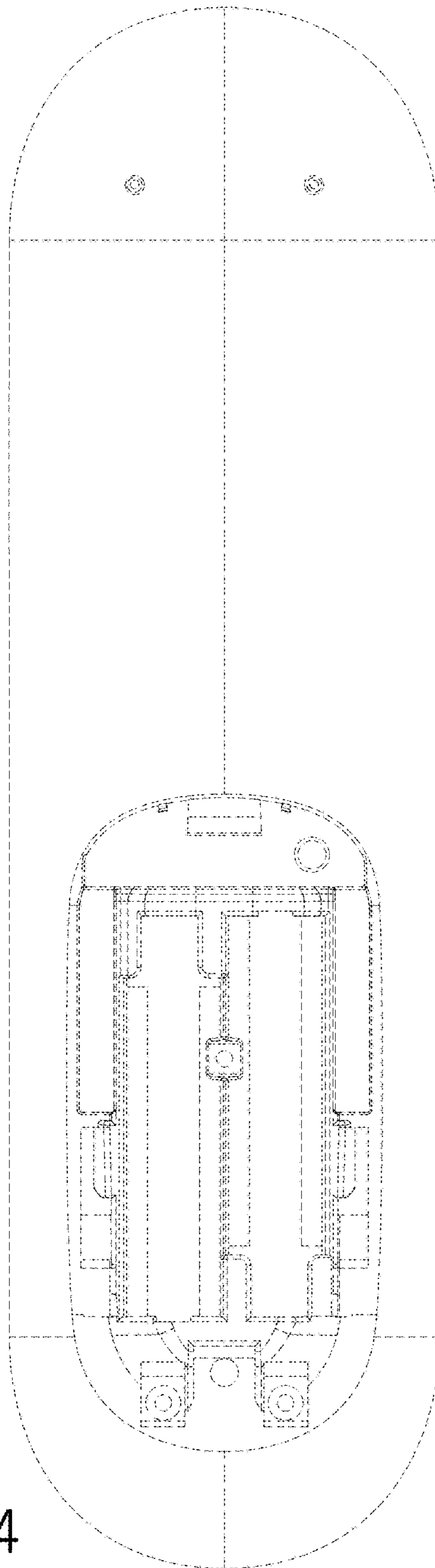


FIG. 4

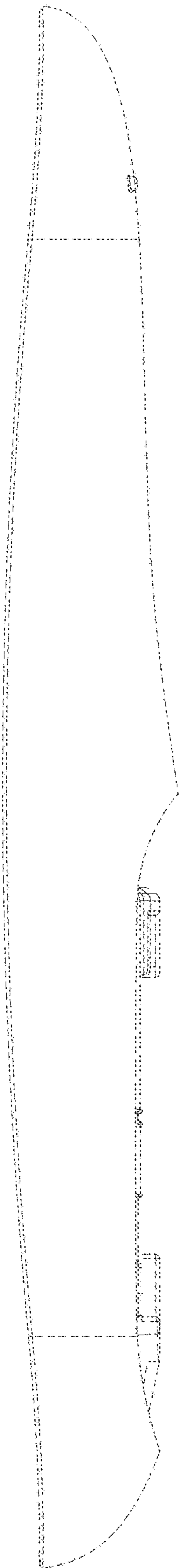


FIG. 5

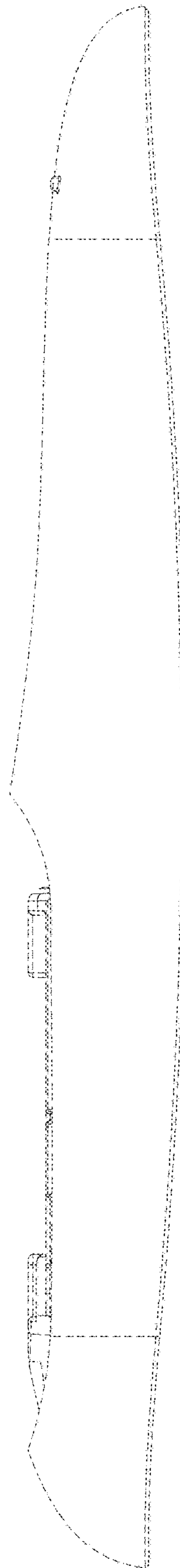


FIG. 6

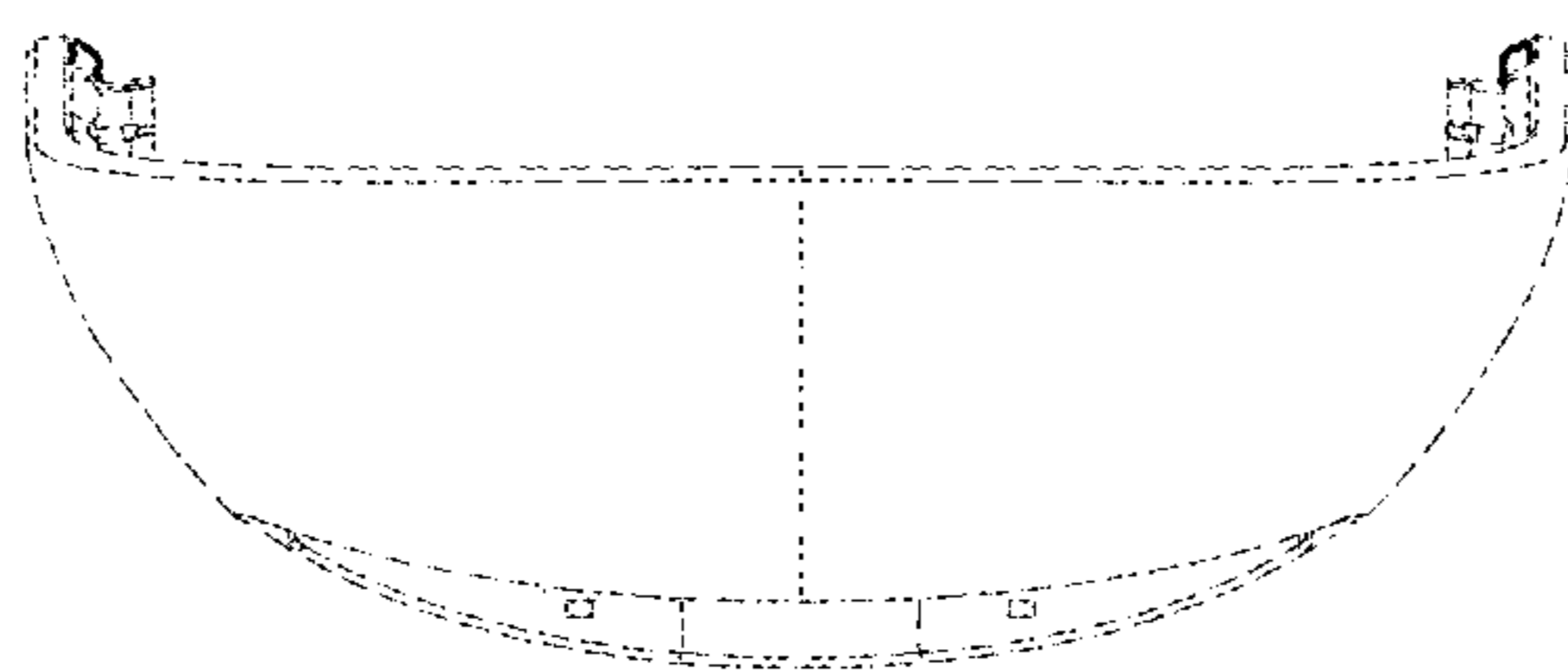


FIG. 7

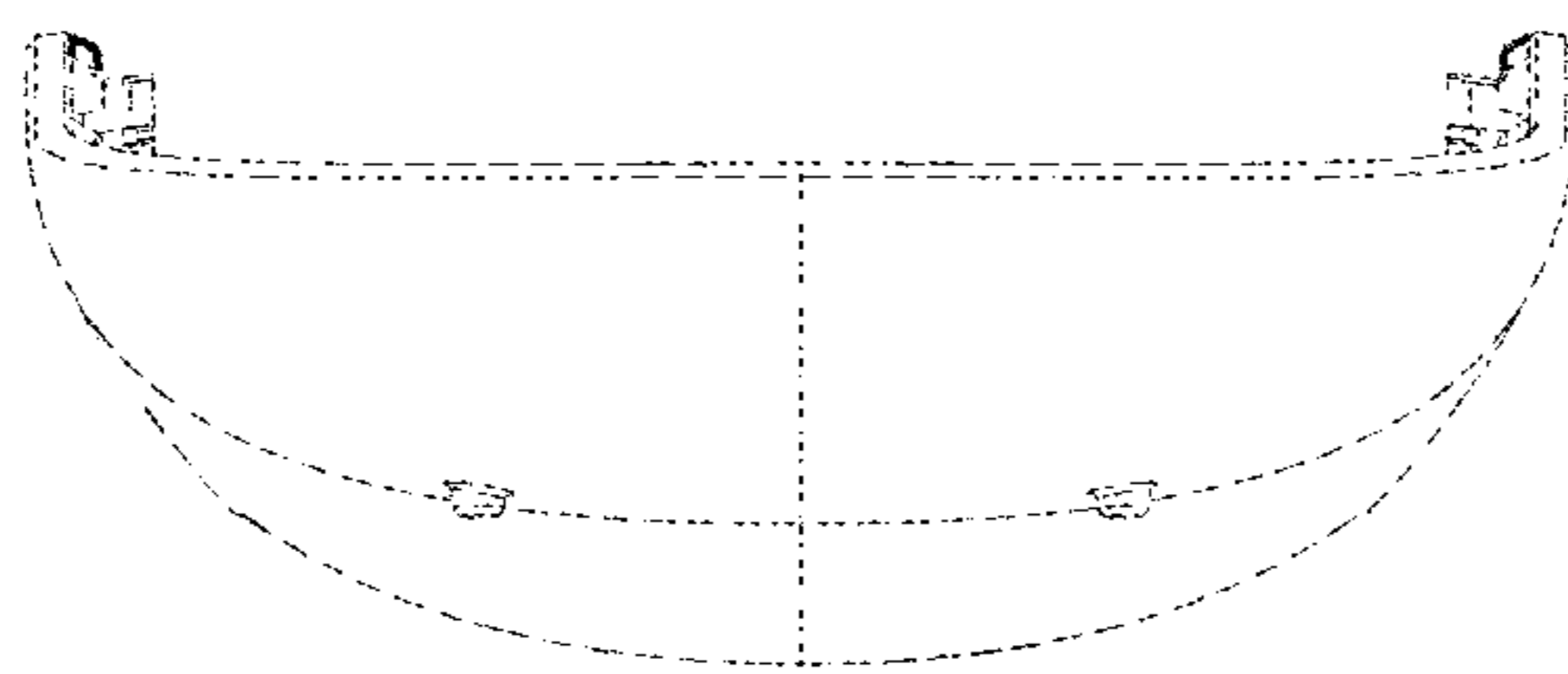


FIG. 8