



US00D823263S

(12) **United States Design Patent** (10) **Patent No.:** **US D823,263 S**
Cyzen (45) **Date of Patent:** **** Jul. 17, 2018**

(54) **OUTLET PLATE**
(71) Applicant: **Keith Cyzen**, Glen Ellyn, IL (US)
(72) Inventor: **Keith Cyzen**, Glen Ellyn, IL (US)
(**) Term: **15 Years**
(21) Appl. No.: **29/619,126**
(22) Filed: **Sep. 27, 2017**
(51) **LOC (11) Cl.** **13-03**
(52) **U.S. Cl.**
USPC **D13/156**
(58) **Field of Classification Search**
USPC D13/110, 123, 133, 137.1, 139.1, 139.4,
D13/152, 154, 155, 156, 158, 162, 164,
D13/173, 177, 184; D8/349-351, 353;
174/67, 66
CPC H01R 13/447; H01R 13/6395; H01R 13/639;
H01R 13/6397
See application file for complete search history.

(56) **References Cited**

U.S. PATENT DOCUMENTS

D162,509 S * 3/1951 Austin, Jr. 174/55
2,770,697 A * 11/1956 Kellett H01H 36/00
200/329
3,159,446 A 12/1964 Protzmann
D261,135 S * 10/1981 Horne 174/67
D283,221 S * 4/1986 West 174/67
4,895,527 A 1/1990 Brown et al.
4,895,999 A 1/1990 Calderon
D308,626 S * 6/1990 Villarreal D13/154
D309,093 S * 7/1990 Reinholt D13/156
4,969,833 A * 11/1990 Lindow H01R 13/6395
439/133
4,973,801 A * 11/1990 Frick H01H 9/286
200/327
D317,859 S * 7/1991 Kobayashi D13/154
D318,460 S * 7/1991 Heath D13/160
D359,271 S * 6/1995 Reinholt D13/156
D372,224 S * 7/1996 Larned 200/43.19
D415,113 S * 10/1999 Driver, III D13/154

D509,193 S * 9/2005 Piedmont D13/156
9,147,973 B1 9/2015 Madison
D788,045 S * 5/2017 Zeng D13/158
D793,846 S * 8/2017 Armstrong, Jr. D13/156
9,825,414 B2 * 11/2017 Armstrong H01R 31/06

OTHER PUBLICATIONS

<https://www.amazon.com/Lock-Plug-Electrical-Extension-Appli-ances/dp/B06WW61RRC>, publicly available at least as early as Dec. 17, 2017.
https://www.amazon.com/LectraLock-Safety-Electrical-Outlet-Du-plex/dp/B009UX0NBO/ref=zg_bs_166867011_6?_encoding=UTF8&refRID=EMGGM%E2%80%A6, publicly available at least as early as Dec. 17, 2017.
https://www.amazon.com/gp/offer-listing/B073V3LR2R/ref=dp_olp_new_mbc?ie=UTF8&condition=new, publicly avail-able at least as early as Dec. 17, 2017.

(Continued)

Primary Examiner — Derrick Holland
Assistant Examiner — Jennifer O King
(74) *Attorney, Agent, or Firm* — Marshall, Gerstein & Borun LLP

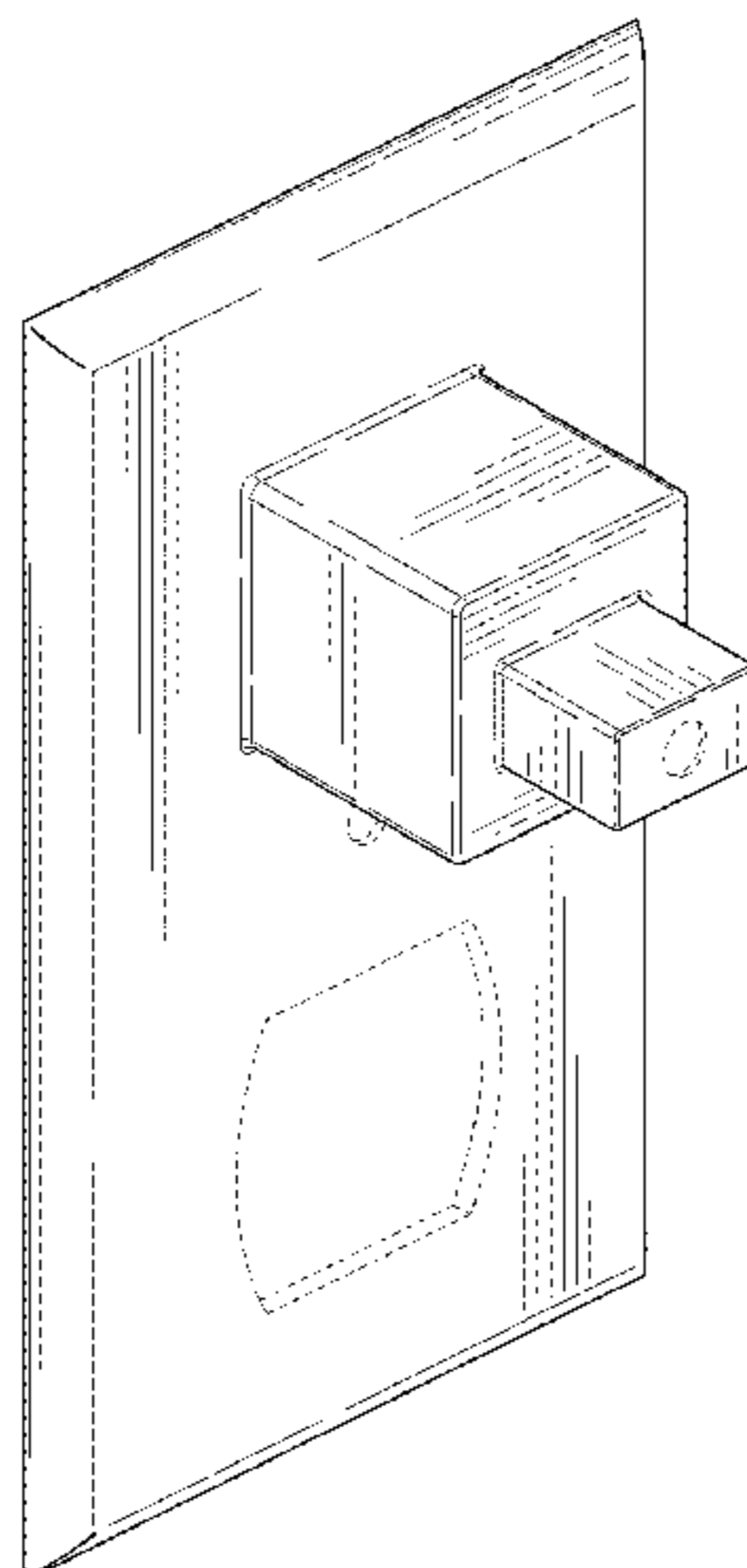
(57) **CLAIM**

The ornamental design for an outlet plate, as shown and described.

DESCRIPTION

FIG. 1 is a perspective view showing a new design for an outlet plate;
FIG. 2 is a front view thereof;
FIG. 3 is a rear view thereof;
FIG. 4 is a right-side view thereof;
FIG. 5 is a left-side view thereof;
FIG. 6 is a top view thereof; and,
FIG. 7 is a bottom view thereof.
The broken lines shown represent portions of the outlet plate that form no part of the claimed design.

1 Claim, 5 Drawing Sheets



(56)

References Cited

OTHER PUBLICATIONS

https://www.amazon.com/Secure-Connect-Electrical-Safety-Product/dp/B0083V4NG0/ref=pd_sbs_107_5?_encoding=UTF8&pd_rd_i=B0083V4NG0&p%3E2%80%A6, publicly available at least as early as Dec. 17, 2017.

https://www.kickstarter.com/projects/1881196998/myplug-the-first-th-ef-proof-charging-cable-ever-m?ref=nav_search, publicly available at least as early as Dec. 17, 2017.

<http://ideas.northwestern.edu/projects/charger+.html>, publicly available at least as early as Dec. 17, 2017.

<http://www.ichargerlock.com/>, publicly available at least as early as Dec. 17, 2017.

* cited by examiner

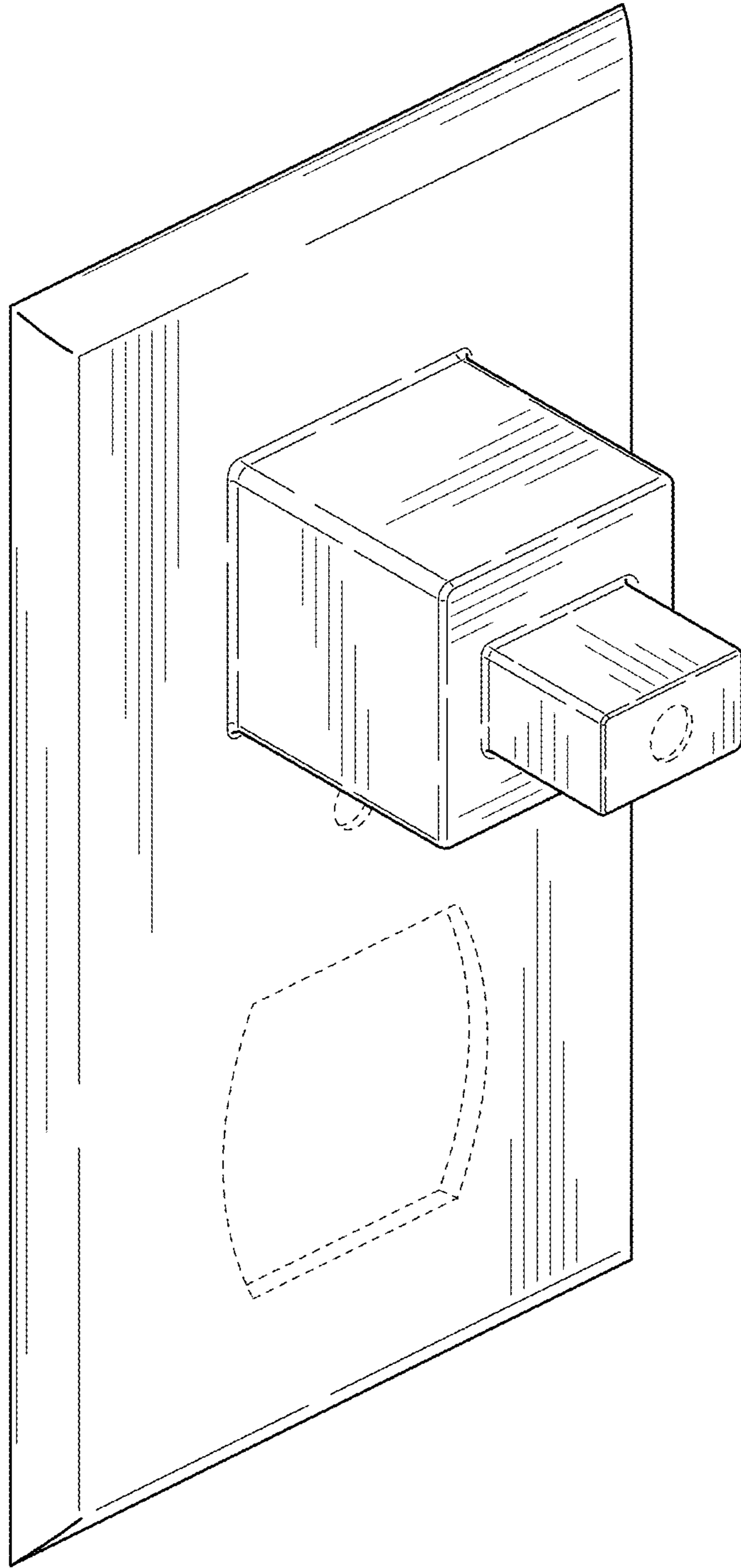


FIG. 1

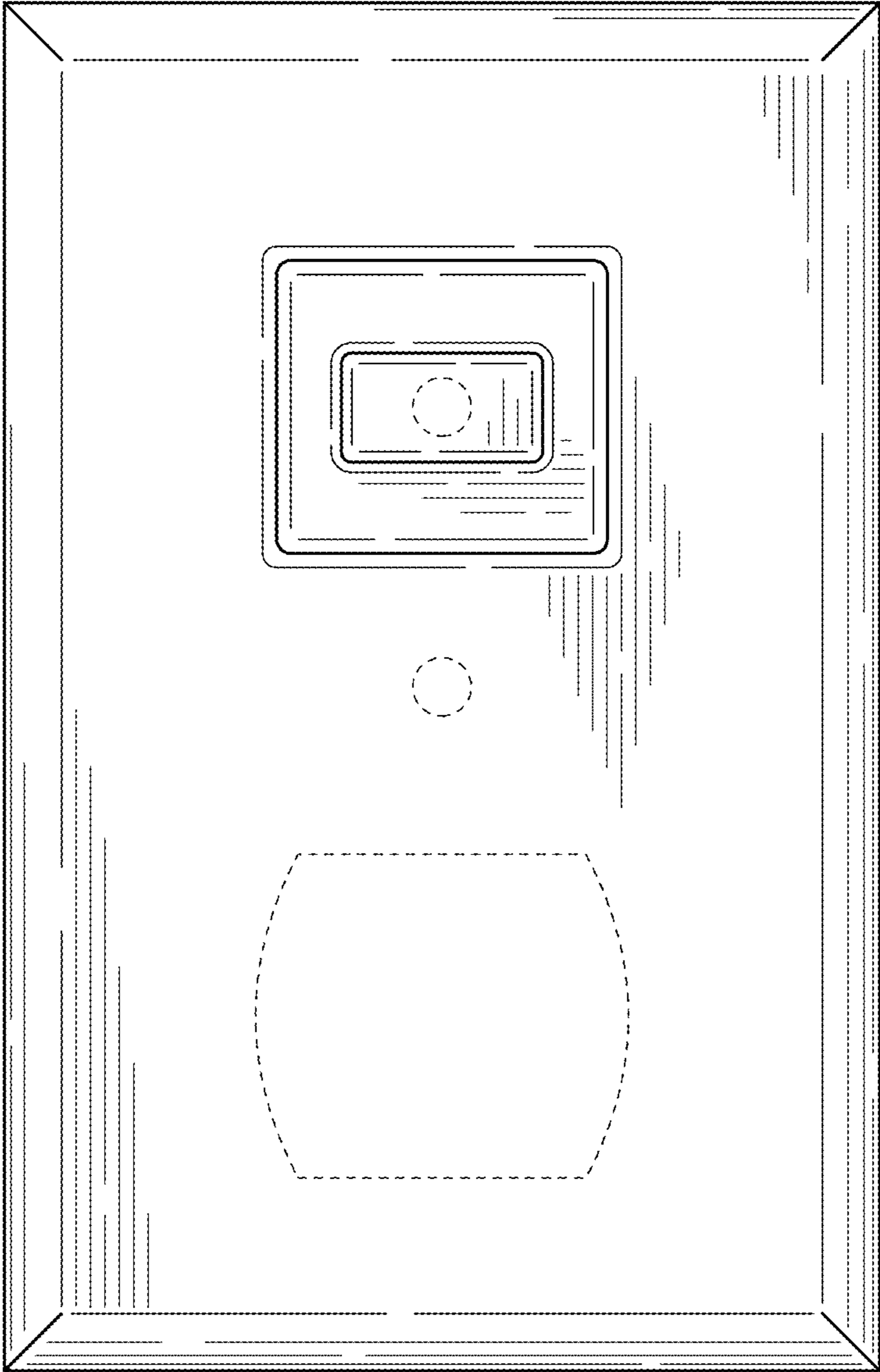


FIG. 2

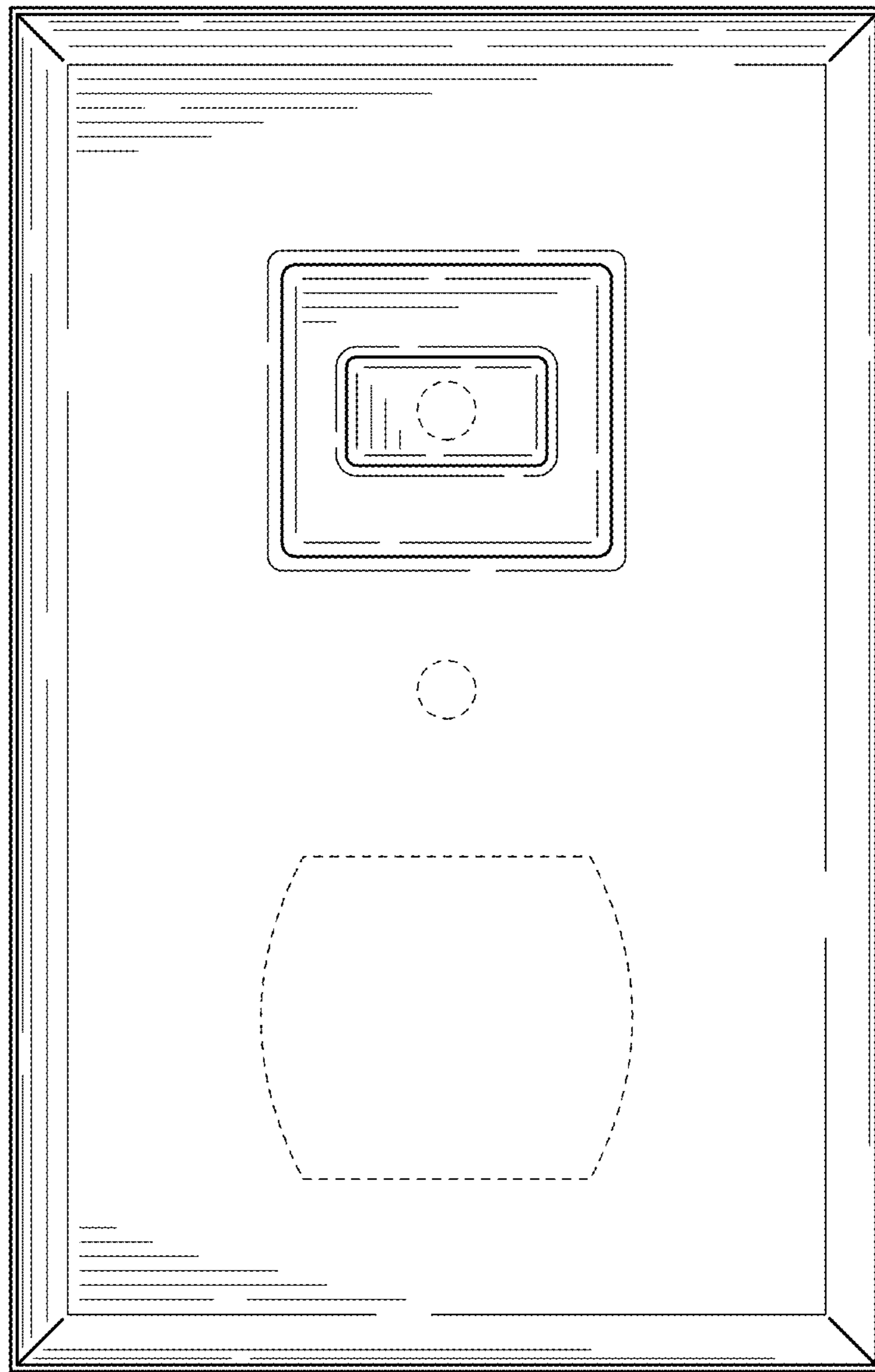


FIG. 3

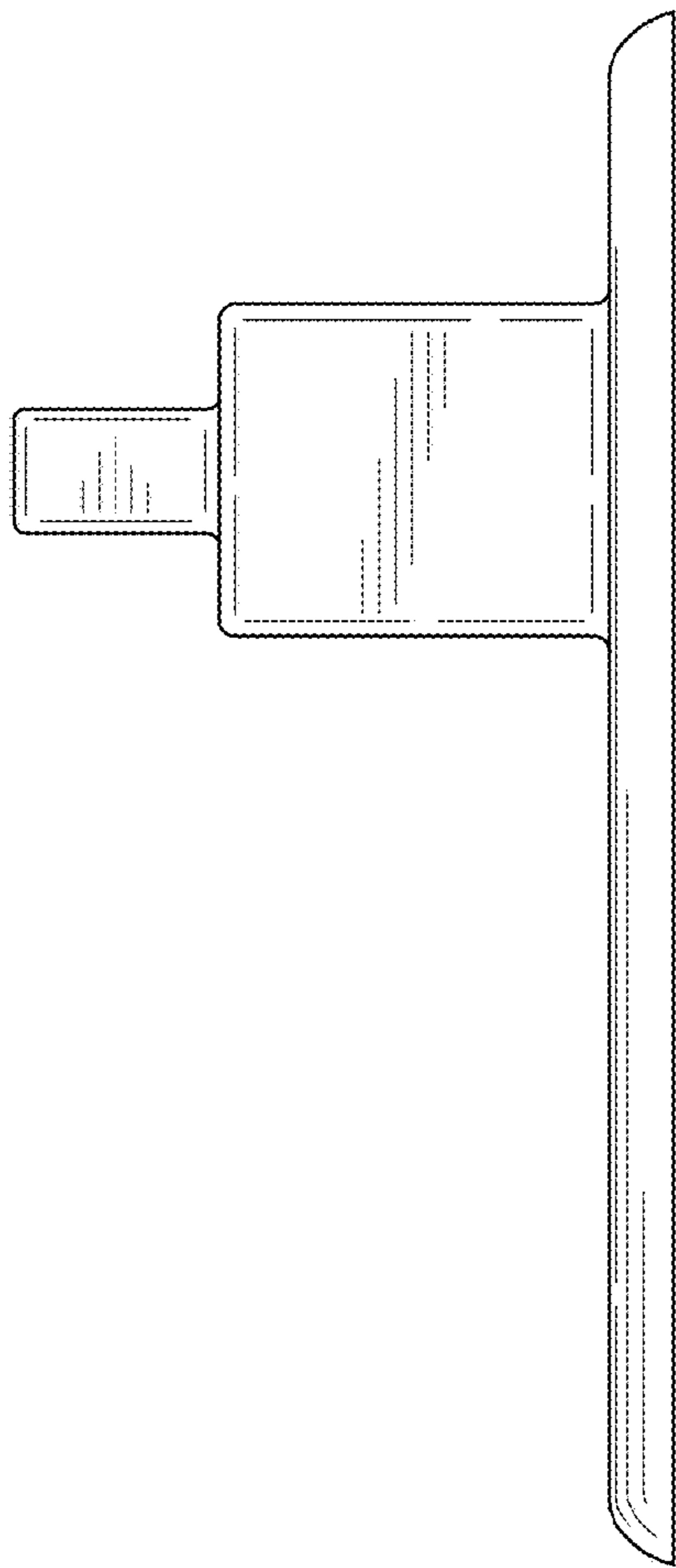


FIG. 4

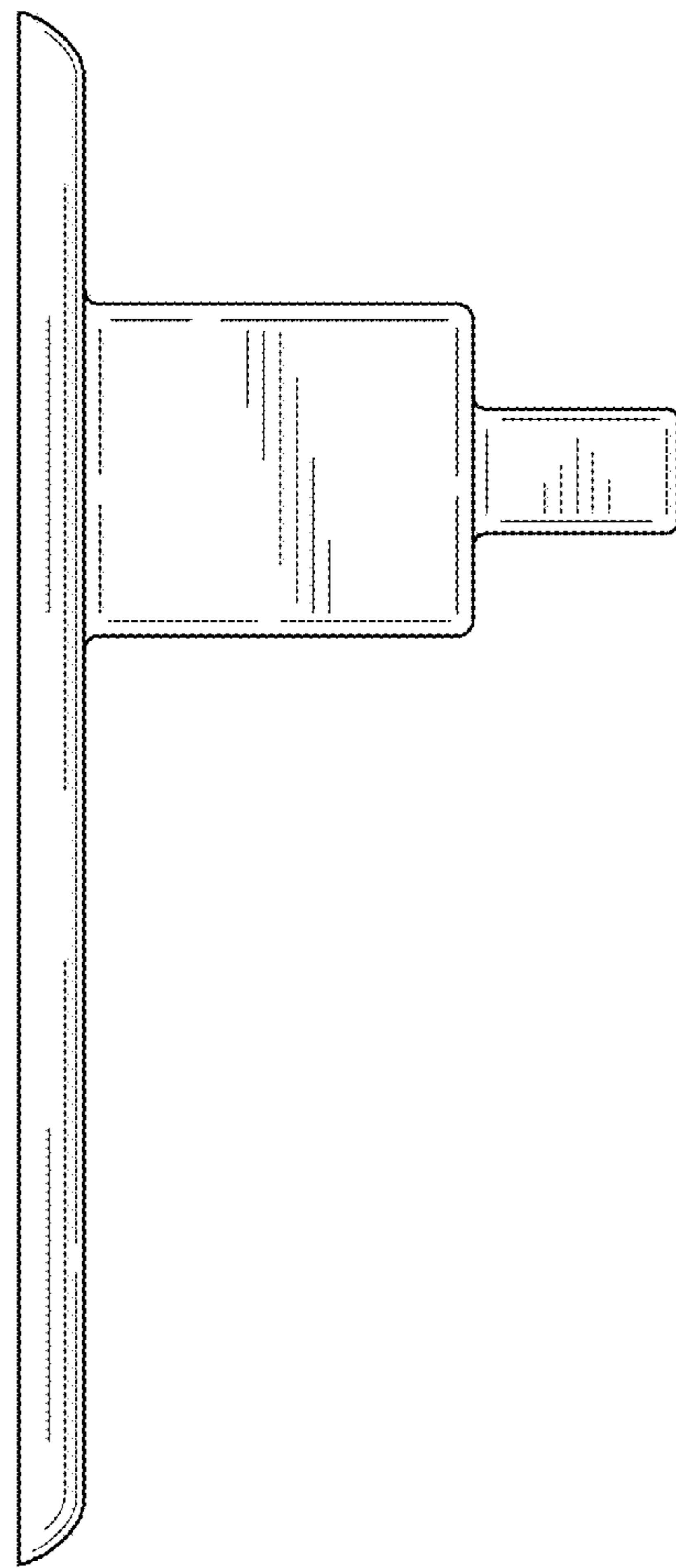


FIG. 5

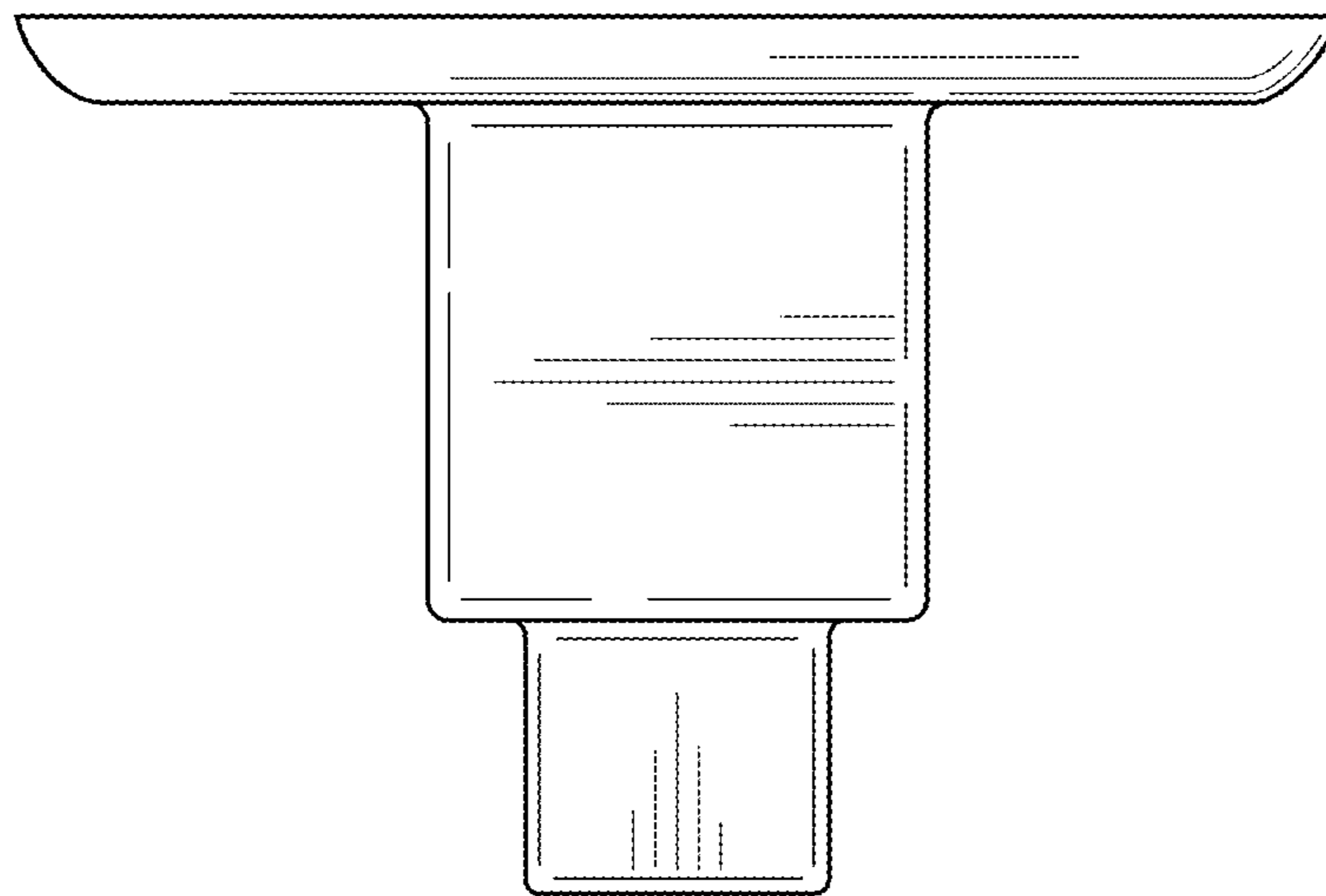


FIG. 6

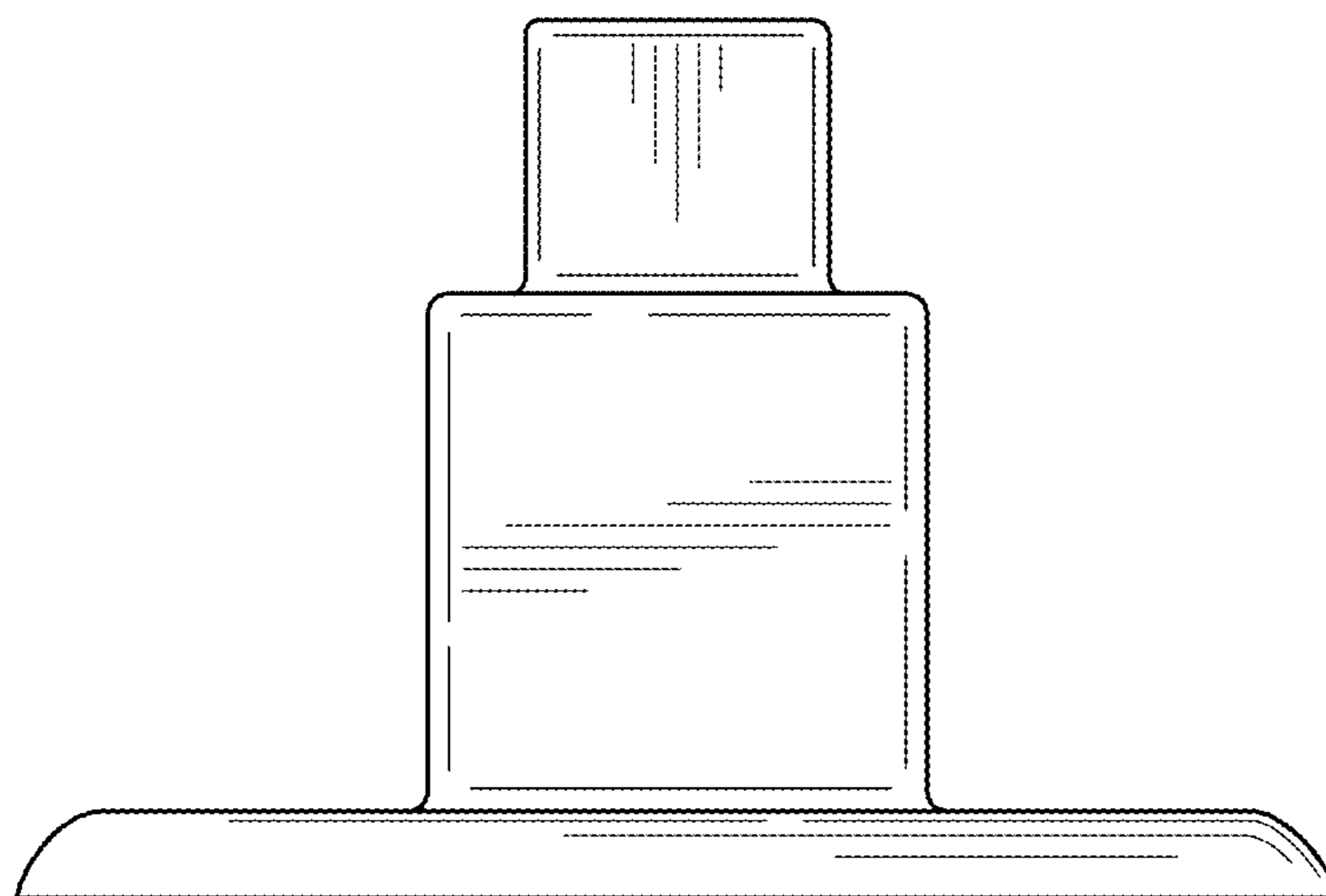


FIG. 7