



US00D823262S

(12) **United States Design Patent** (10) **Patent No.:** **US D823,262 S**
Sadik et al. (45) **Date of Patent:** **** Jul. 17, 2018**

(54) **EARTH PLATE**
(71) Applicant: **Xerox Corporation**, Norwalk, CT (US)
(72) Inventors: **Jonathan D. Sadik**, Rochester, NY (US); **Nancy L. Belknap**, Rochester, NY (US); **Karl E. Kurz**, Rochester, NY (US)

(73) Assignee: **Xerox Corporation**, Norwalk, CT (US)

(**) Term: **15 Years**

(21) Appl. No.: **29/603,468**

(22) Filed: **May 10, 2017**

(51) **LOC (11) Cl.** **13-03**

(52) **U.S. Cl.**
USPC **D13/154**

(58) **Field of Classification Search**
USPC D13/123, 128, 133, 146, 147, 148, 149, D13/154, 184, 199
CPC ... F16M 13/02; B41J 2/01; B41J 2/045; B41J 2/14; B41J 2/165; B41J 2/175; B41J 2/447; G03G 15/00; G03G 15/09; G03G 15/0844; G03G 21/00
See application file for complete search history.

(56) **References Cited**

U.S. PATENT DOCUMENTS

3,443,257 A * 5/1969 Mollman H01F 17/062 336/192
4,561,763 A 12/1985 Basch

5,815,773 A 9/1998 Zaman
5,943,527 A 8/1999 Kashiwagi et al.
6,785,489 B2 8/2004 Anderson, II
D521,455 S * 5/2006 Radza D13/154
D524,756 S * 7/2006 Radza D13/154
7,103,297 B2 9/2006 Guy et al.
7,431,306 B2 10/2008 Ueta et al.
8,303,357 B2 * 11/2012 Kuwahara H01R 4/26 411/160
D681,058 S * 4/2013 Yamamoto D13/118
8,422,913 B2 4/2013 Tanaka et al.
2014/0072342 A1 * 3/2014 Iijima G03G 15/757 399/167

* cited by examiner

Primary Examiner — Daniel Bui

(74) *Attorney, Agent, or Firm* — Gibb & Riley, LLC

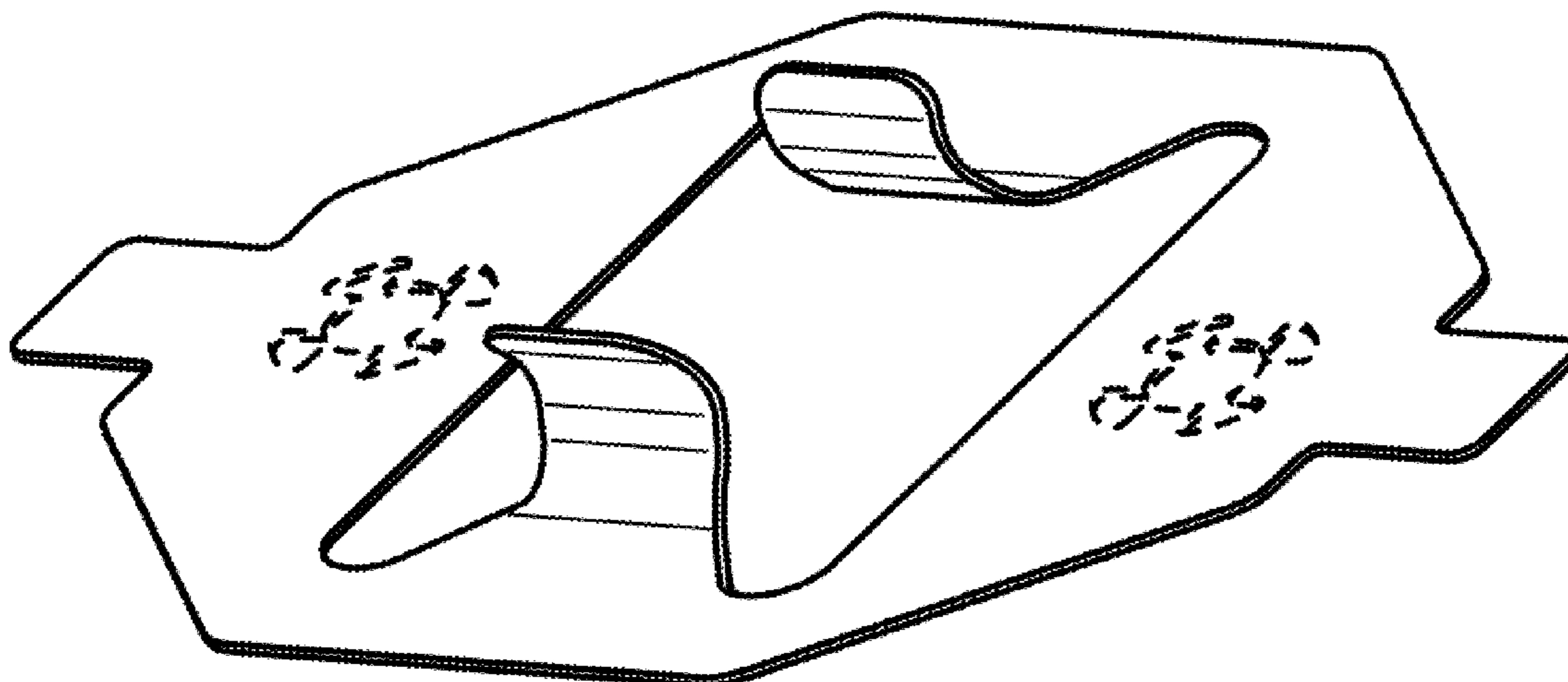
(57) **CLAIM**

The ornamental design for an earth plate, as shown and described.

DESCRIPTION

FIG. 1 is a top perspective view of an earth plate showing our new design;
FIG. 2 is a top plan view thereof;
FIG. 3 is a bottom plan view thereof.
FIG. 4 is a front elevation view thereof;
FIG. 5 is a right elevation view thereof;
FIG. 6 is a rear elevation view thereof; and,
FIG. 7 is a left elevation view thereof.
The broken line showing of unclaimed portion of the earth plate is for the purpose of illustrating environmental structure only and forms no part of the claimed design.

1 Claim, 3 Drawing Sheets



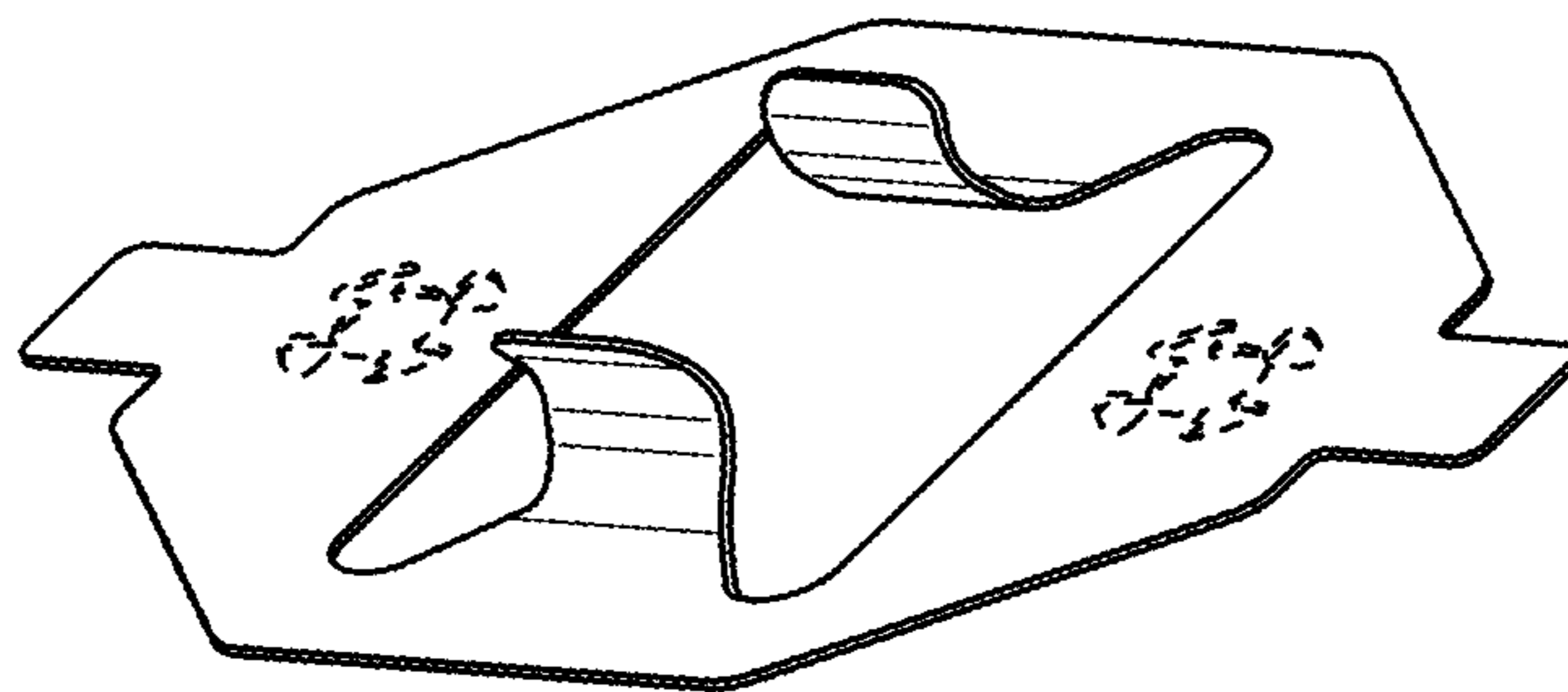


FIG. 1

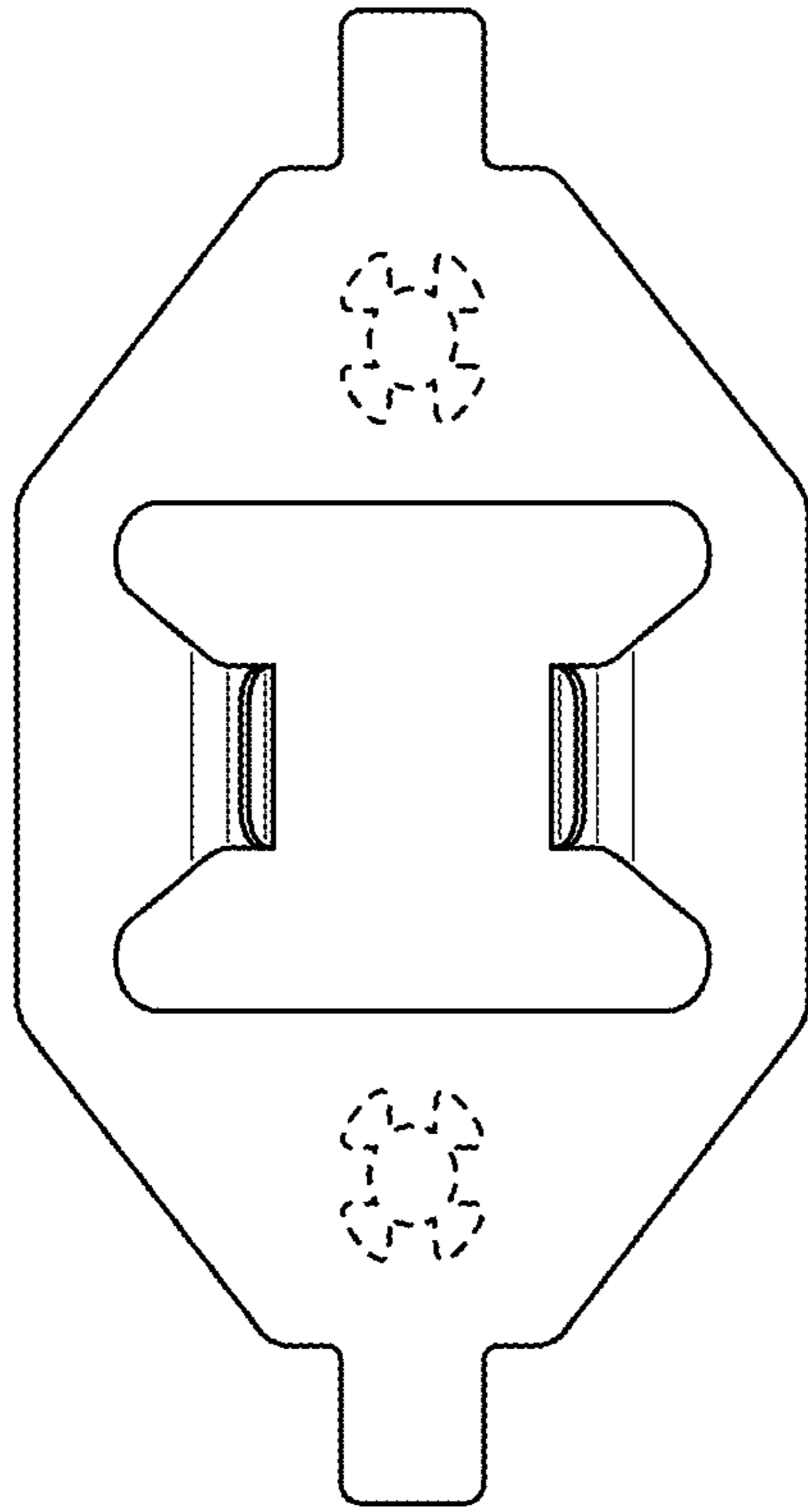


FIG. 2

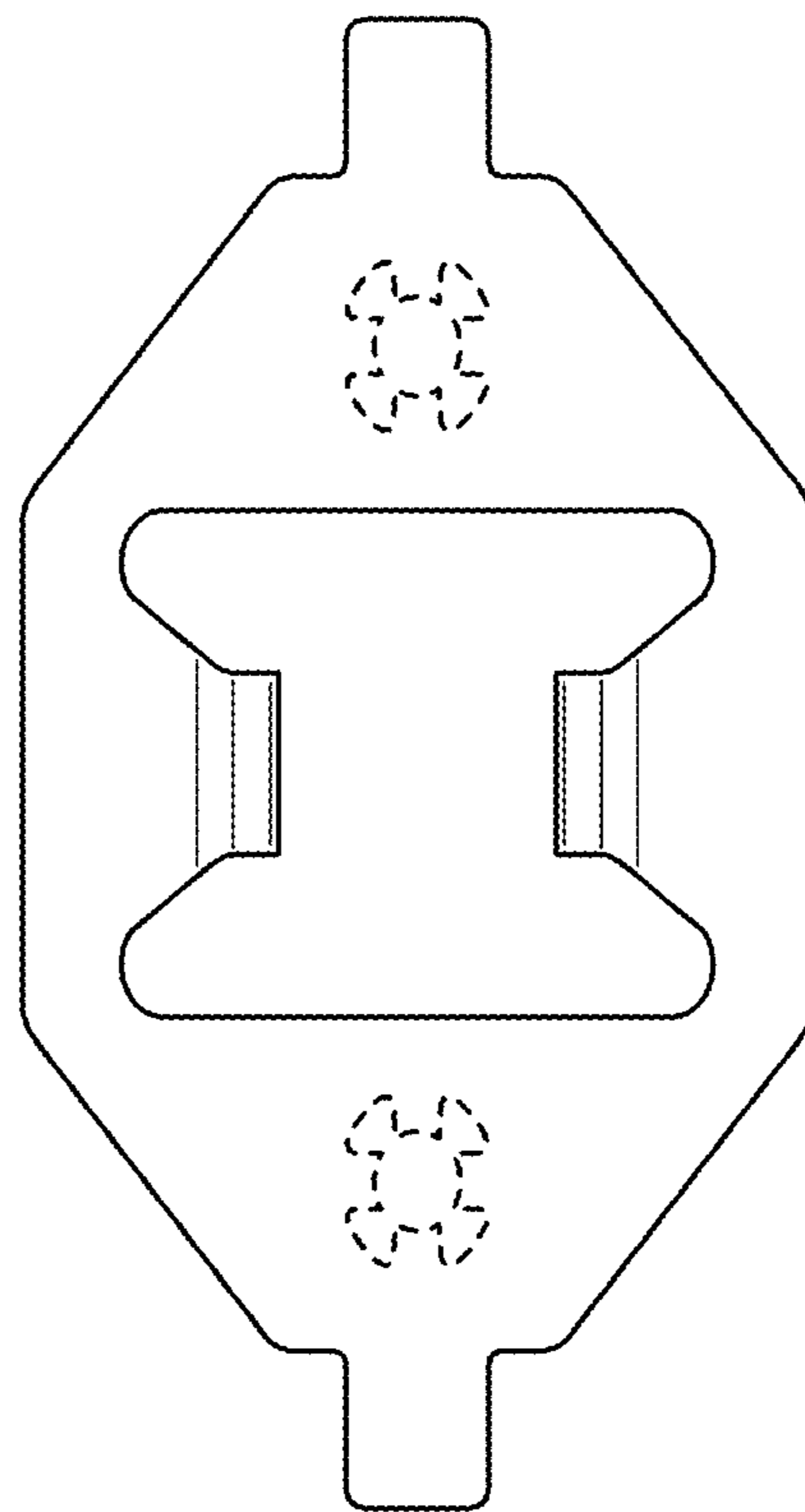


FIG. 3

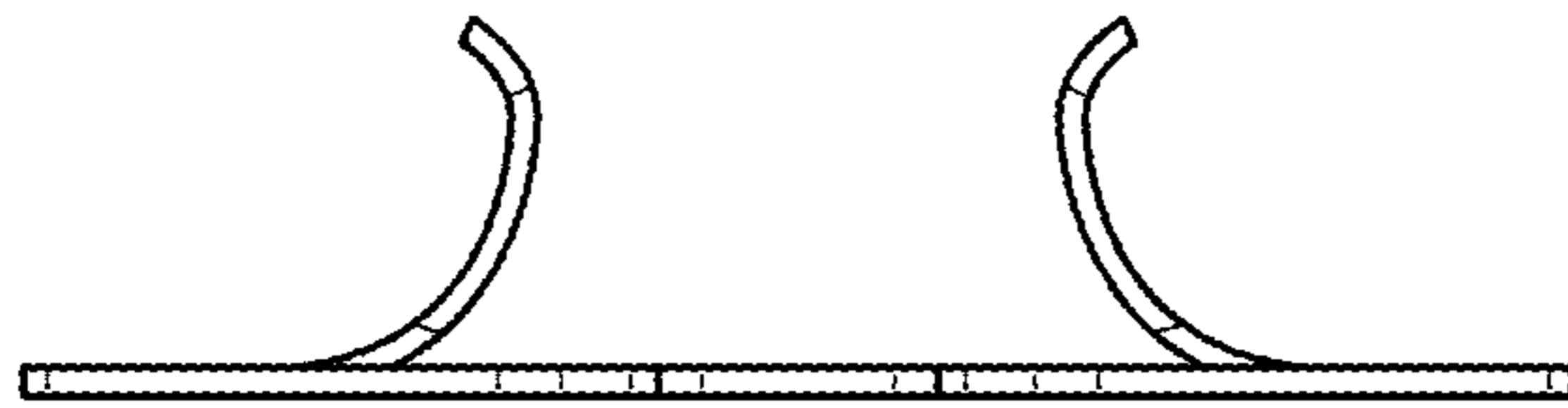


FIG. 4

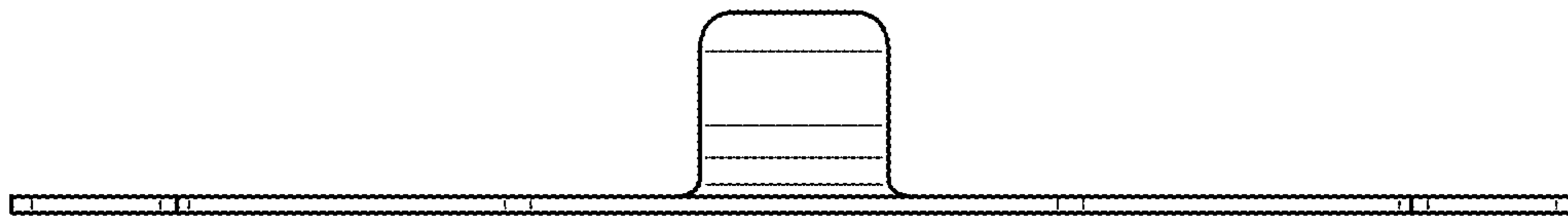


FIG. 5



FIG. 6

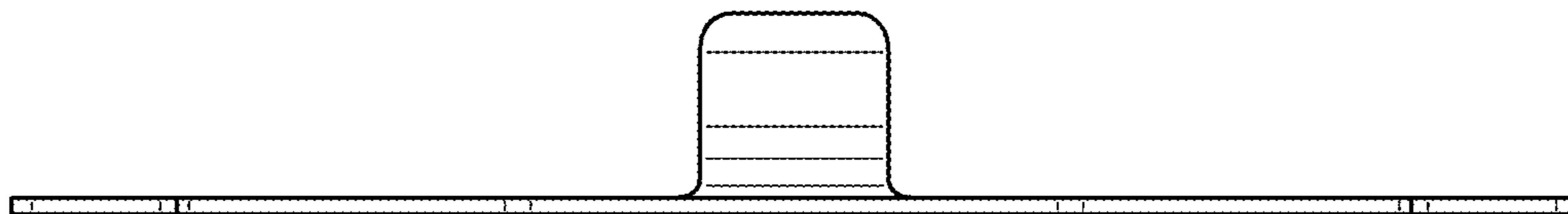


FIG. 7