



US00D823261S

(12) **United States Design Patent**
Ugglä

(10) **Patent No.:** **US D823,261 S**
(45) **Date of Patent:** **** Jul. 17, 2018**

- (54) **DATA TRANSMISSION CABLE**
- (71) Applicant: **Zound Industries International AB**,
Stockholm (SE)
- (72) Inventor: **Carl Ugglä**, Stockholm (SE)
- (73) Assignee: **Zound Industries International AB**,
Stockholm (SE)
- (**) Term: **15 Years**
- (21) Appl. No.: **29/556,730**
- (22) Filed: **Mar. 2, 2016**
- (51) **LOC (11) Cl.** **13-03**
- (52) **U.S. Cl.**
USPC **D13/153**
- (58) **Field of Classification Search**
USPC D13/101, 110, 118, 120, 123, 133, 134,
D13/146-149, 152-154, 173, 175, 177,
D13/178, 184, 199; D14/240, 432, 433,
D14/439
CPC . H01R 4/028; H01R 4/24; H01R 4/48; H01R
9/00; H01R 9/24; H01R 12/00; H01R
12/79; H01R 13/00; H01R 13/02; H01R
13/11; H01R 13/40; H01R 13/46; H01R
13/51; H01R 13/533; H01R 13/64; H01R
13/65; H01R 13/66; H01R 13/72; H01R
13/74; H01R 29/00; H01R 24/06
See application file for complete search history.

- (56) **References Cited**
U.S. PATENT DOCUMENTS
5,117,479 A * 5/1992 Erdman G02B 6/3878
385/136
D425,860 S * 5/2000 Goto D13/133
D447,735 S * 9/2001 Nakashima D13/153
D450,041 S * 11/2001 Nakashima D13/153
D549,660 S * 8/2007 Zenri D13/147
D619,963 S * 7/2010 Hou D13/133
D636,337 S * 4/2011 Smith D13/147

- D692,390 S * 10/2013 Smith D13/133
 - D699,188 S * 2/2014 Akana D13/147
 - 8,740,640 B2 * 6/2014 Hardy H01R 13/7175
439/490
 - D723,474 S * 3/2015 Olsson D13/153
 - D731,488 S * 6/2015 Lee D14/433
 - D733,142 S * 6/2015 Solomon D14/433
 - D753,060 S * 4/2016 Miller D13/110
- (Continued)

OTHER PUBLICATIONS

Urbanears Sumpän V2, dated May 6, 2016, [online], [site visited Aug. 14, 2017]. Available from Internet, <URL: <https://www.amazon.com/dp/B017VX46GW?psc=1>>.*

Primary Examiner — Thomas Johannes
Assistant Examiner — Shawn T Gingrich
(74) *Attorney, Agent, or Firm* — Alonzo & Associates;
Arlyn Alonzo

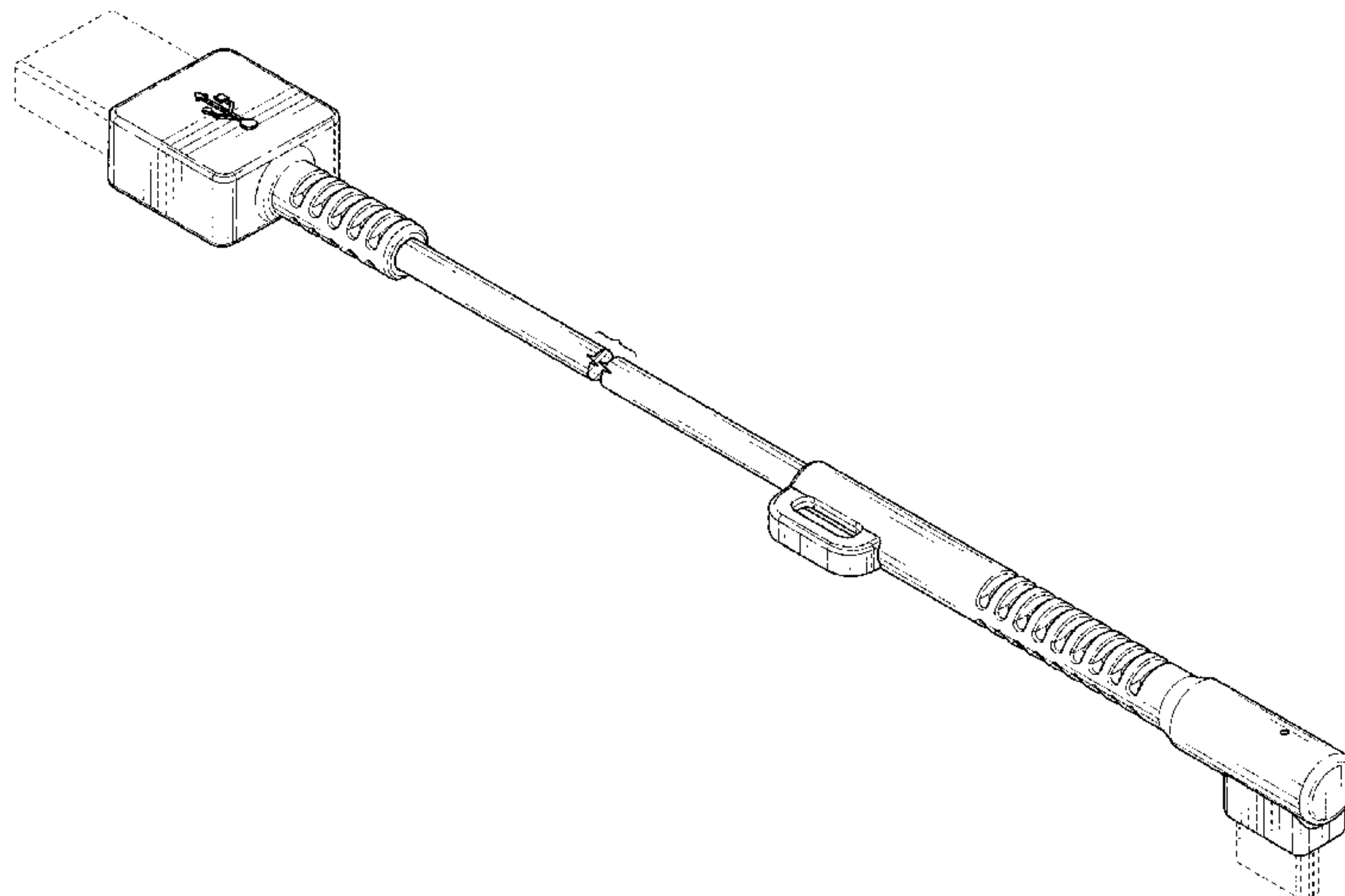
(57) **CLAIM**

The ornamental design for a data transmission cable, as shown and described.

DESCRIPTION

FIG. 1 is a perspective view of an exemplary data transmission cable.
FIG. 2 is a right side view thereof.
FIG. 3 is a left side view thereof.
FIG. 4 is an enlarged front view thereof.
FIG. 5 is an enlarged back view thereof.
FIG. 6 is a bottom view thereof; and,
FIG. 7 is a top view thereof.
The data transmission cable is shown with a symbolic break in its length, represented by jagged lines. The appearance of any portion of the article between the jagged lines forms no part of the claimed design. The broken line portion of the figure drawings is included to show portions of the article that form no part of the claimed design.

1 Claim, 7 Drawing Sheets



(56)

References Cited

U.S. PATENT DOCUMENTS

D784,931 S * 4/2017 Fries D13/153
D793,344 S * 8/2017 Wang D13/153
D800,731 S * 10/2017 He D14/433
D804,291 S * 12/2017 Fawcett D8/356
D810,748 S * 2/2018 Zhang D14/433
D810,749 S * 2/2018 Zhang D14/433
2013/0196532 A1 * 8/2013 Utz H01R 13/5812
439/471
2014/0321808 A1 * 10/2014 Irwin G02B 6/3879
385/56
2014/0367139 A1 * 12/2014 Petersen H02G 11/00
174/79
2016/0197445 A1 * 7/2016 Bryngelsson H01R 13/72
439/501
2016/0293293 A1 * 10/2016 Oh H01R 13/72

* cited by examiner

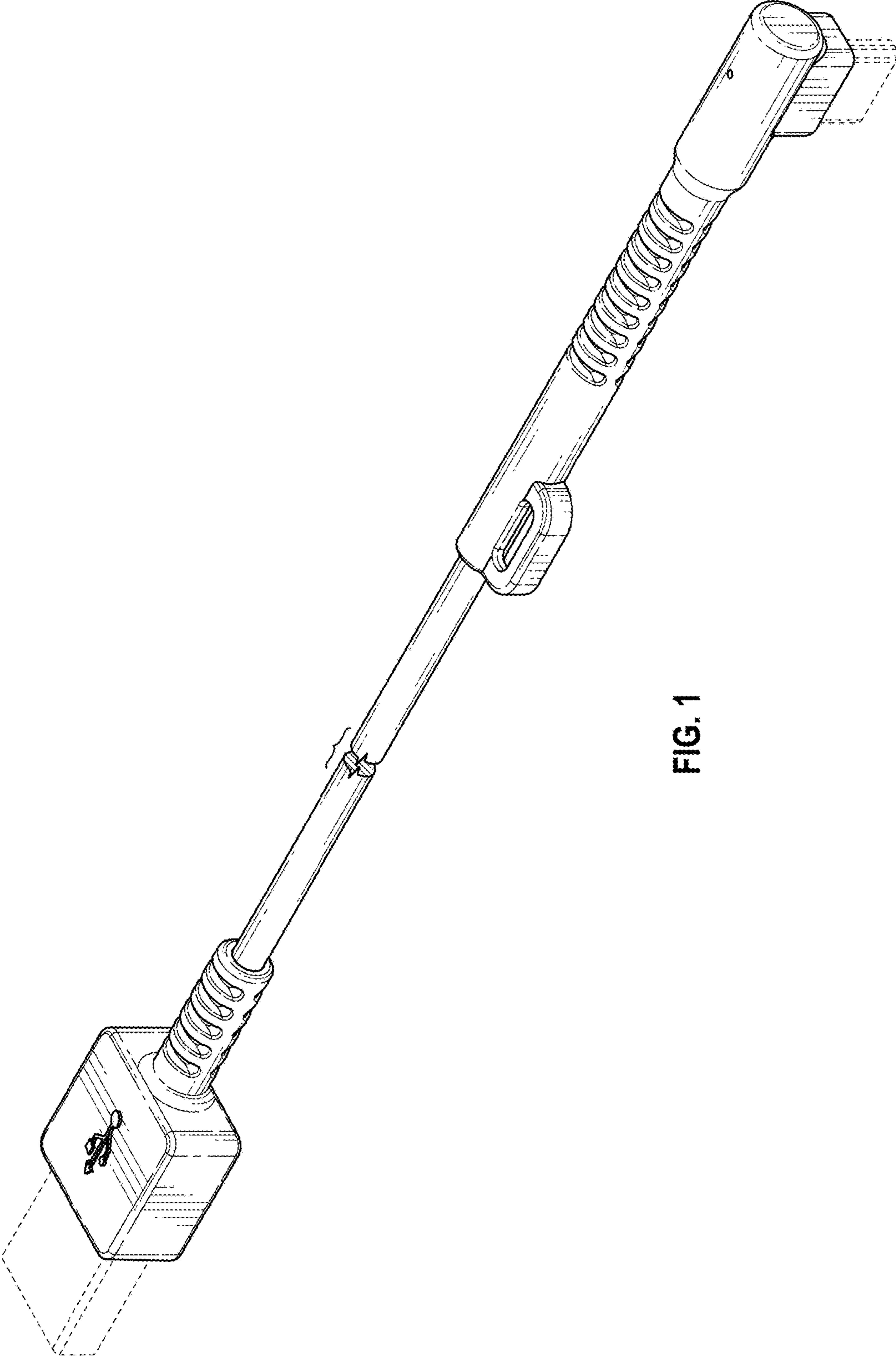


FIG. 1

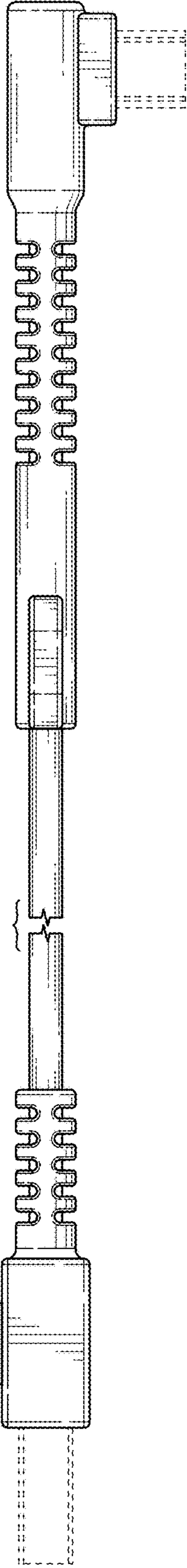


FIG. 2

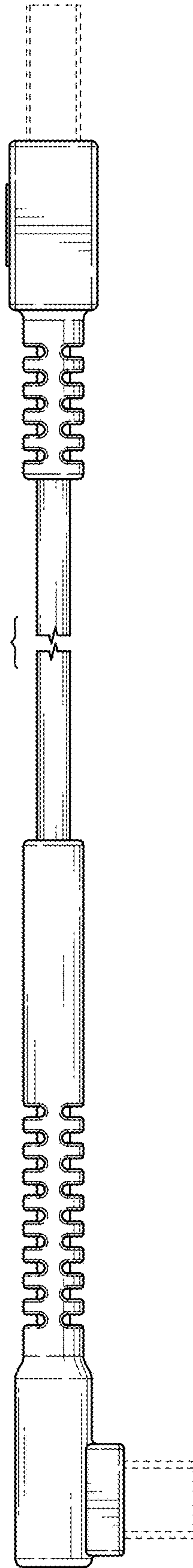


FIG. 3

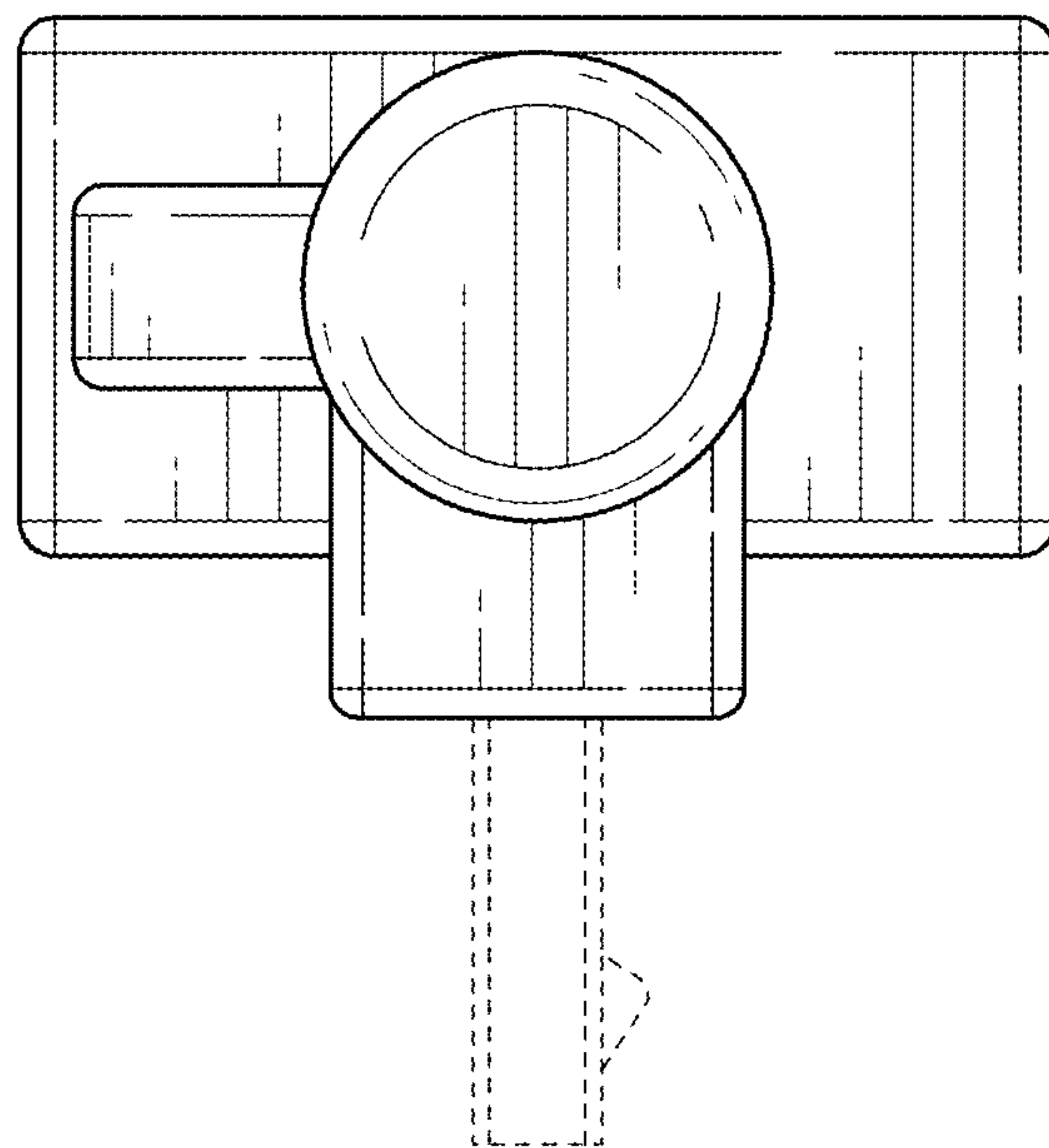


FIG. 4

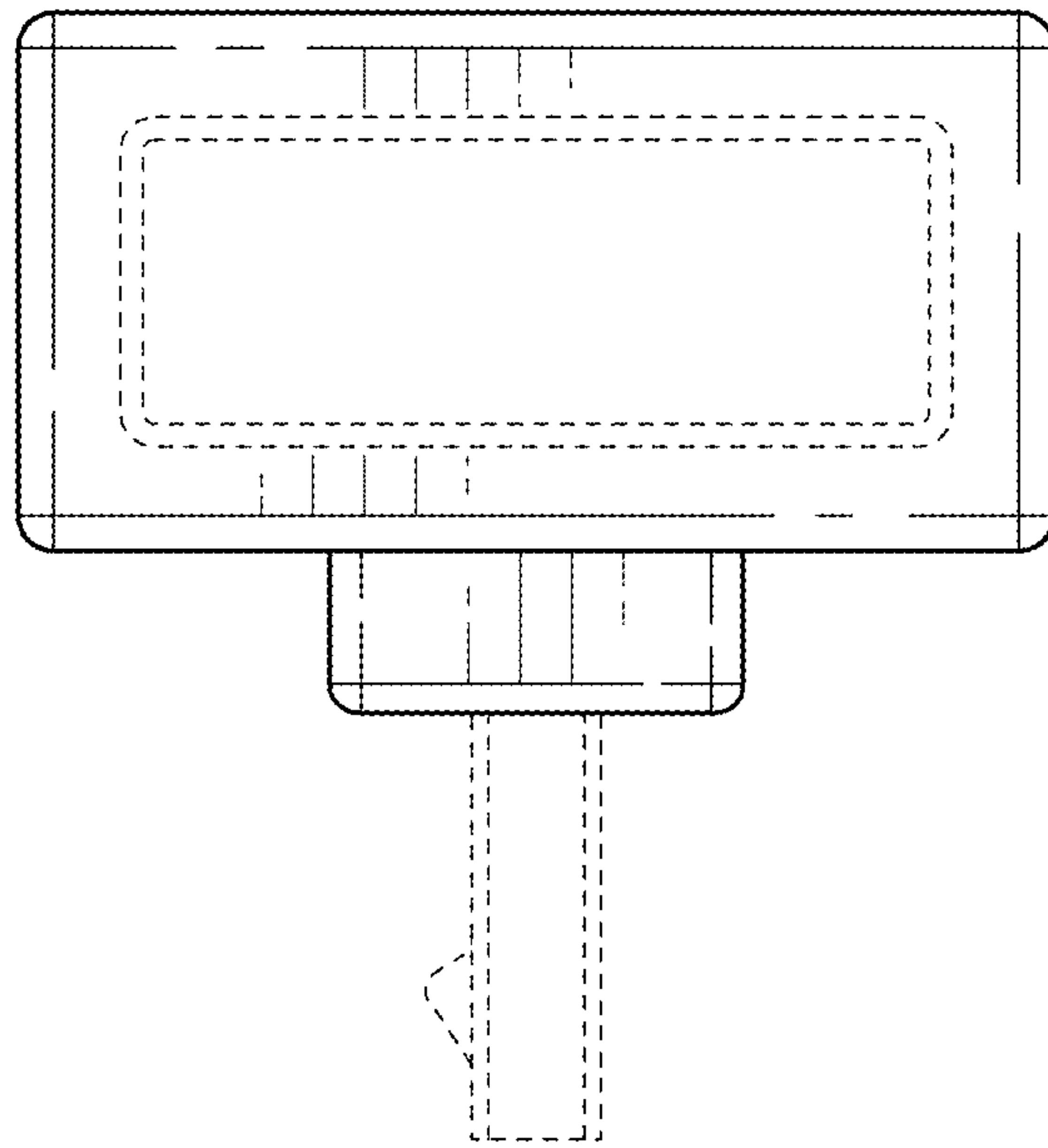


FIG. 5

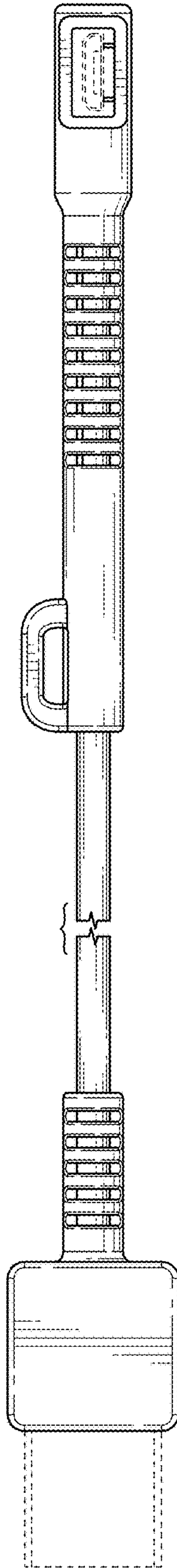


FIG. 6

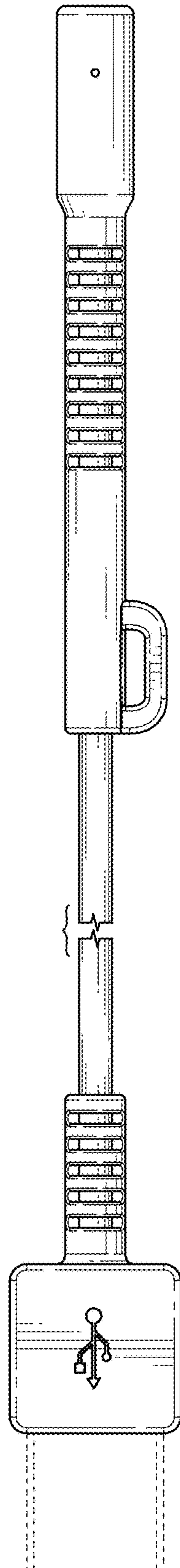


FIG. 7